

DEWALT®

XR®

www.DEWALT.com

DCF850

English (<i>original instructions</i>)	3
简体中文	12
繁體中文	20
한국어	27
ภาษาไทย	36

Fig. A

图A

圖A

그림 A

7

7

4

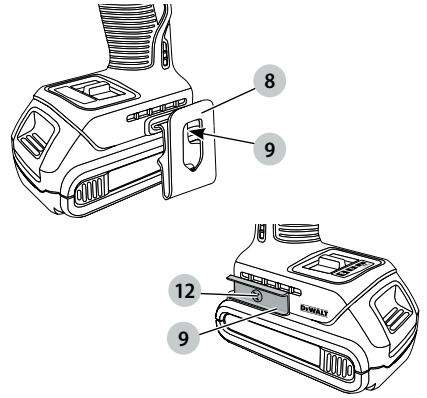
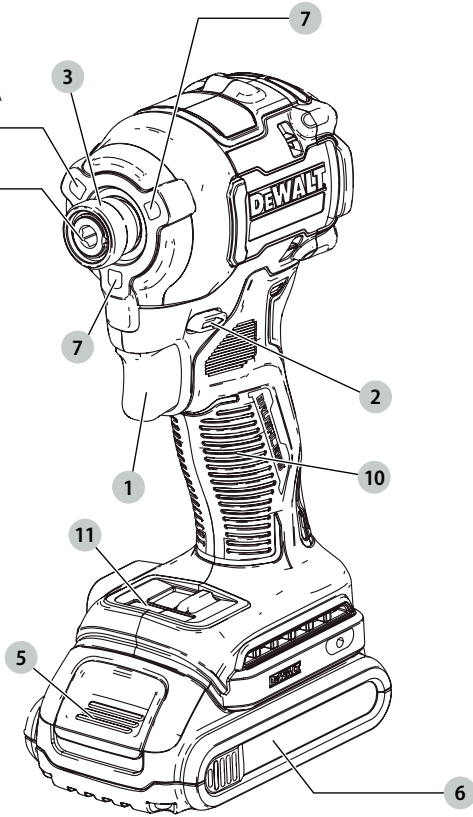


Fig. B

图B

圖B

그림 B

7

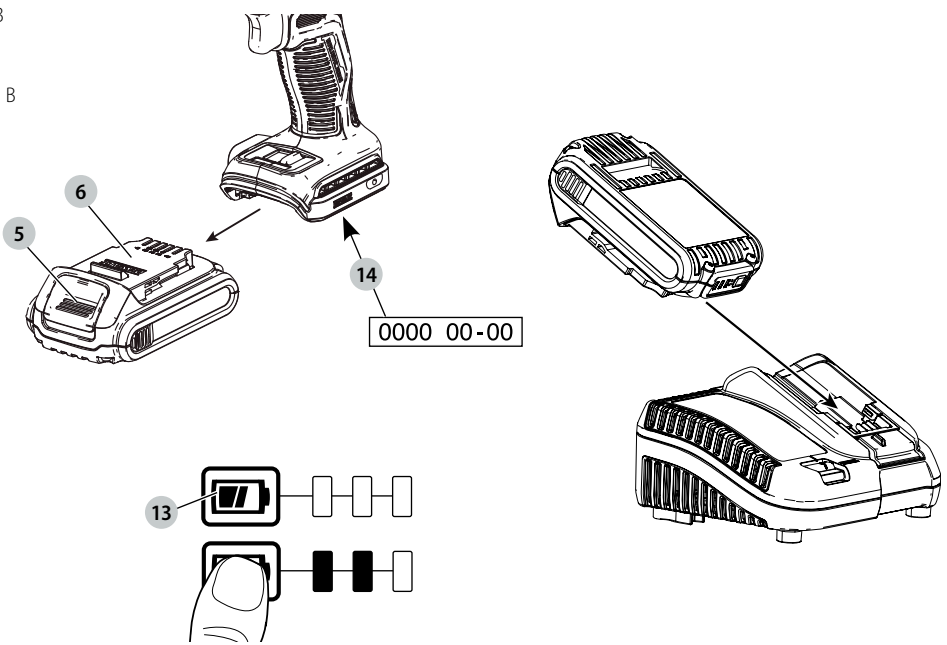


Fig. C
图C
圖C
그림 C
꺆뵡 C

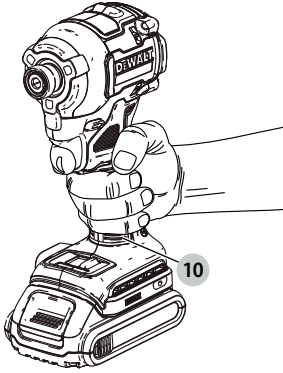


Fig. D
图D
圖D
그림 D
꺆뵡 D

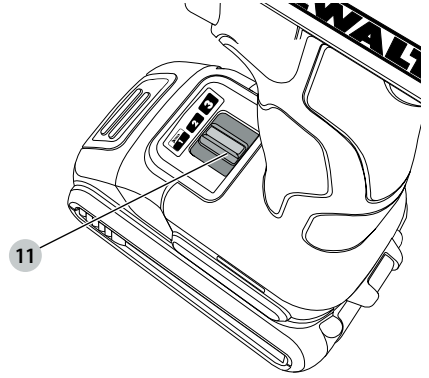


Fig. E
图E
圖E
그림 E
꺆뵡 E

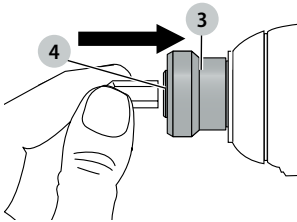
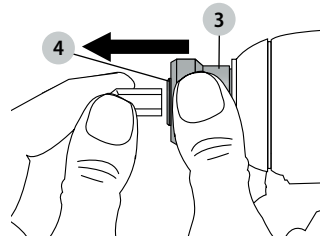


Fig. F
图F
圖F
그림 F
꺆뵡 F



BRUSHLESS CORDLESS COMPACT IMPACT DRIVER


DCF850

Congratulations!

You have chosen a DeWALT tool. Years of experience, thorough product development and innovation make DeWALT one of the most reliable partners for professional power tool users.

Technical Data

		DCF850
Voltage	V _{DC}	18(20 Max)
Battery type		Li-Ion
Power output	W	475
No load speed	rpm	
Mode 1		0–1000
Mode 2		0–2800
Mode 3		0–3250
Impact rate	ipm	0–3800
Max torque	Nm	205
Tool holder	mm	6.35
Weight (without battery pack)	kg	0.95

 **WARNING:** The declared vibration and/or noise emission level represents impact tightening of fasteners of the maximum capacity of the tool. However if the tool is used for different applications, with different accessories or poorly maintained, the vibration and/or noise emission may differ. This may significantly increase the exposure level over the total working period.

An estimation of the level of exposure to vibration and/or noise should also take into account the times when the

tool is switched off or when it is running but not actually doing the job. This may significantly reduce the exposure level over the total working period.

Identify additional safety measures to protect the operator from the effects of vibration and/or noise such as: maintain the tool and the accessories, keep the hands warm (relevant for vibration), organisation of work patterns.



WARNING: To reduce the risk of injury, read the instruction manual.

Definitions: Safety Guidelines

The definitions below describe the level of severity for each signal word. Please read the manual and pay attention to these symbols.



DANGER: Indicates an imminently hazardous situation which, if not avoided, **will** result in **death or serious injury**.



WARNING: Indicates a potentially hazardous situation which, if not avoided, **could** result in **death or serious injury**.



CAUTION: Indicates a potentially hazardous situation which, if not avoided, **may** result in **minor or moderate injury**.

NOTICE: Indicates a practice **not related to personal injury** which, if not avoided, **may** result in **property damage**.



Denotes risk of electric shock.



Denotes risk of fire.

Batteries				Chargers / Charge Times (Minutes)							
Cat#	V _{DC}	Ah	Weight(kg)	DCB104	DCB107	DCB112	DCB115	DCB117	DCB118	DCB132	DCB112
DCB546/DCB606	18/54 (20/60 Max)	6.0/2.0	1.05	60	270	170	90	40	60	90	40
DCB547/DCB609	18/54 (20/60 Max)	9.0/3.0	1.46	75*	420	270	135*	60	75*	135*	60
DCB548/DCB612	18/54 (20/60 Max)	12.0/4.0	1.44	120	540	350	180	80	120	180	80
DCB181	18 (20 Max)	1.5	0.35	22	70	45	22	22	22	22	22
DCB182/DCB204	18 (20 Max)	4.0	0.61	60/40**	185	120	60	60/40**	60/40**	60	60/40**
DCB183/DCB203	18 (20 Max)	2.0	0.40	30	90	60	30	30	30	30	30
DCB184/DCB205	18 (20 Max)	5.0	0.62	75/50**	240	150	75	75/50**	75/50**	75	75/50**
DCB185	18 (20 Max)	1.3	0.35	22	60	40	22	22	22	22	22
DCB187	18 (20 Max)	3.0	0.54	45	140	90	45	45	45	45	45
DCB189/DCB240	18 (20 Max)	4.0	0.54	60	185	120	60	60	60	60	60
DCB186	18 (20 Max)	6.0	0.95	60	270	170	90	60	60	90	60

*Date code 201811475B or later

**Date code 201536 or later

GENERAL POWER TOOL SAFETY WARNINGS



WARNING: Read all safety warnings, instructions, illustrations and specifications provided with this power tool. Failure to follow all instructions listed below may result in electric shock, fire and/or serious injury.

SAVE ALL WARNINGS AND INSTRUCTIONS FOR FUTURE REFERENCE.

The term "power tool" in the warnings refers to your mains-operated (corded) power tool or battery-operated (cordless) power tool.

1) Work Area Safety

- a) **Keep work area clean and well lit.** Cluttered or dark areas invite accidents.
- b) **Do not operate power tools in explosive atmospheres, such as in the presence of flammable liquids, gases or dust.** Power tools create sparks which may ignite the dust or fumes.
- c) **Keep children and bystanders away while operating a power tool.** Distractions can cause you to lose control.

2) Electrical Safety

- a) **Power tool plugs must match the outlet. Never modify the plug in any way. Do not use any adapter plugs with earthed (grounded) power tools.** Unmodified plugs and matching outlets will reduce risk of electric shock.
- b) **Avoid body contact with earthed or grounded surfaces such as pipes, radiators, ranges and refrigerators.** There is an increased risk of electric shock if your body is earthed or grounded.
- c) **Do not expose power tools to rain or wet conditions.** Water entering a power tool will increase the risk of electric shock.
- d) **Do not abuse the cord. Never use the cord for carrying, pulling or unplugging the power tool. Keep cord away from heat, oil, sharp edges or moving parts.** Damaged or entangled cords increase the risk of electric shock.
- e) **When operating a power tool outdoors, use an extension cord suitable for outdoor use.** Use of a cord suitable for outdoor use reduces the risk of electric shock.
- f) **If operating a power tool in a damp location is unavoidable, use a residual current device (RCD) protected supply.** Use of an RCD reduces the risk of electric shock.

3) Personal Safety

- a) **Stay alert, watch what you are doing and use common sense when operating a power tool. Do not use a power tool while you are tired or under the influence of drugs, alcohol or medication.** A moment of inattention while operating power tools may result in serious personal injury.
- b) **Use personal protective equipment. Always wear eye protection.** Protective equipment such as a dust mask, non-skid safety shoes, hard hat or hearing protection used for appropriate conditions will reduce personal injuries.

- c) **Prevent unintentional starting. Ensure the switch is in the off-position before connecting to power source and/or battery pack, picking up or carrying the tool.** Carrying power tools with your finger on the switch or energising power tools that have the switch on invites accidents.
- d) **Remove any adjusting key or wrench before turning the power tool on.** A wrench or a key left attached to a rotating part of the power tool may result in personal injury.
- e) **Do not overreach. Keep proper footing and balance at all times.** This enables better control of the power tool in unexpected situations.
- f) **Dress properly. Do not wear loose clothing or jewellery. Keep your hair and clothing away from moving parts.** Loose clothes, jewellery or long hair can be caught in moving parts.
- g) **If devices are provided for the connection of dust extraction and collection facilities, ensure these are connected and properly used.** Use of dust collection can reduce dust-related hazards.
- h) **Do not let familiarity gained from frequent use of tools allow you to become complacent and ignore tool safety principles.** A careless action can cause severe injury within a fraction of a second.

4) Power Tool Use and Care

- a) **Do not force the power tool. Use the correct power tool for your application.** The correct power tool will do the job better and safer at the rate for which it was designed.
- b) **Do not use the power tool if the switch does not turn it on and off.** Any power tool that cannot be controlled with the switch is dangerous and must be repaired.
- c) **Disconnect the plug from the power source and/or remove the battery pack, if detachable, from the power tool before making any adjustments, changing accessories, or storing power tools.** Such preventive safety measures reduce the risk of starting the power tool accidentally.
- d) **Store idle power tools out of the reach of children and do not allow persons unfamiliar with the power tool or these instructions to operate the power tool.** Power tools are dangerous in the hands of untrained users.
- e) **Maintain power tools and accessories. Check for misalignment or binding of moving parts, breakage of parts and any other condition that may affect the power tool's operation. If damaged, have the power tool repaired before use.** Many accidents are caused by poorly maintained power tools.
- f) **Keep cutting tools sharp and clean.** Properly maintained cutting tools with sharp cutting edges are less likely to bind and are easier to control.
- g) **Use the power tool, accessories and tool bits, etc. in accordance with these instructions, taking into account the working conditions and the work to be performed.** Use of the power tool for operations different from those intended could result in a hazardous situation.

- h) **Keep handles and grasping surfaces dry, clean and free from oil and grease.** Slippery handles and grasping surfaces do not allow for safe handling and control of the tool in unexpected situations.

5) Battery Tool Use and Care

- a) **Recharge only with the charger specified by the manufacturer.** A charger that is suitable for one type of battery pack may create a risk of fire when used with another battery pack.
- b) **Use power tools only with specifically designated battery packs.** Use of any other battery packs may create a risk of injury and fire.
- c) **When battery pack is not in use, keep it away from other metal objects, like paper clips, coins, keys, nails, screws or other small metal objects, that can make a connection from one terminal to another.** Shorting the battery terminals together may cause burns or a fire.
- d) **Under abusive conditions, liquid may be ejected from the battery; avoid contact. If contact accidentally occurs, flush with water. If liquid contacts eyes, additionally seek medical help.** Liquid ejected from the battery may cause irritation or burns.
- e) **Do not use a battery pack or tool that is damaged or modified.** Damaged or modified batteries may exhibit unpredictable behaviour resulting in fire, explosion or risk of injury.
- f) **Do not expose a battery pack or tool to fire or excessive temperature.** Exposure to fire or temperature above 130 °C may cause explosion.
- g) **Follow all charging instructions and do not charge the battery pack or tool outside the temperature range specified in the instructions.** Charging improperly or at temperatures outside the specified range may damage the battery and increase the risk of fire.

6) Service

- a) **Have your power tool serviced by a qualified repair person using only identical replacement parts.** This will ensure that the safety of the power tool is maintained.
- b) **Never service damaged battery packs.** Service of battery packs should only be performed by the manufacturer or authorized service providers..

Additional Specific Safety Rules for Impact Wrenches/Drivers

- **Hold power tool by insulated gripping surfaces when performing an operation where the fastener may contact hidden wiring.** Fasteners contacting a "live" wire may make exposed metal parts of the power tool "live" and could give the operator an electric shock.

Residual Risks

In spite of the application of the relevant safety regulations and the implementation of safety devices, certain residual risks cannot be avoided. These are:

- Impairment of hearing.

- Risk of personal injury due to flying particles.
- Risk of burns due to accessories becoming hot during operation.
- Risk of personal injury due to prolonged use.

SAVE THESE INSTRUCTIONS

Chargers

DEWALT chargers require no adjustment and are designed to be as easy as possible to operate.

Electrical Safety

The electric motor has been designed for one voltage only. Always check that the battery pack voltage corresponds to the voltage on the rating plate. Also make sure that the voltage of your charger corresponds to that of your mains.



Your DEWALT charger is double insulated in accordance with IEC60335; therefore no earth wire is required.

If the supply cord is damaged, it must be replaced by a specially prepared cord available through the DEWALT service organisation.

Using an Extension Cable

An extension cord should not be used unless absolutely necessary. Use an approved extension cable suitable for the power input of your charger (see **Technical Data**). The minimum conductor size is 1 mm²; the maximum length is 30 m.

When using a cable reel, always unwind the cable completely.

Important Safety Instructions for All Battery Chargers

SAVE THESE INSTRUCTIONS: This manual contains important safety and operating instructions for compatible battery chargers (refer to **Technical Data**).

- Before using charger, read all instructions and cautionary markings on charger, battery pack, and product using battery pack.



WARNING: Shock hazard. Do not allow any liquid to get inside charger. Electric shock may result.



WARNING: We recommend the use of a residual current device with a residual current rating of 30mA or less.



CAUTION: Burn hazard. To reduce the risk of injury, charge only DEWALT rechargeable batteries. Other types of batteries may burst causing personal injury and damage.



CAUTION: Children should be supervised to ensure that they do not play with the appliance.

NOTICE: Under certain conditions, with the charger plugged into the power supply, the exposed charging contacts inside the charger can be shorted by foreign material. Foreign materials of a conductive nature such as, but not limited to, steel wool, aluminum foil or any buildup of metallic particles should be kept away from charger cavities. Always unplug the charger from the power supply when there is no battery pack in the cavity. Unplug charger before attempting to clean

- **DO NOT attempt to charge the battery pack with any chargers other than the ones in this manual.** The charger and battery pack are specifically designed to work together.
- **These chargers are not intended for any uses other than charging DEWALT rechargeable batteries.** Any other uses may result in risk of fire, electric shock or electrocution.
- **Do not expose charger to rain or snow.**
- **Pull by plug rather than cord when disconnecting charger.** This will reduce risk of damage to electric plug and cord.
- **Make sure that cord is located so that it will not be stepped on, tripped over, or otherwise subjected to damage or stress.**
- **Do not use an extension cord unless it is absolutely necessary.** Use of improper extension cord could result in risk of fire, electric shock, or electrocution.
- **Do not place any object on top of charger or place the charger on a soft surface that might block the ventilation slots and result in excessive internal heat.** Place the charger in a position away from any heat source. The charger is ventilated through slots in the top and the bottom of the housing.
- **Do not operate charger with damaged cord or plug—** have them replaced immediately.
- **Do not operate charger if it has received a sharp blow, been dropped, or otherwise damaged in any way.** Take it to an authorised service centre.
- **Do not disassemble charger; take it to an authorised service centre when service or repair is required.** Incorrect reassembly may result in a risk of electric shock, electrocution or fire.
- *In case of damaged power supply cord the supply cord must be replaced immediately by the manufacturer, its service agent or similar qualified person to prevent any hazard.*
- **Disconnect the charger from the outlet before attempting any cleaning. This will reduce the risk of electric shock.** Removing the battery pack will not reduce this risk.
- **NEVER attempt to connect two chargers together.**
- **The charger is designed to operate on standard 220-240V household electrical power. Do not attempt to use it on any other voltage.** This does not apply to the vehicular charger.


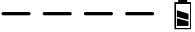




Charging a Battery (Fig. B)

1. Plug the charger into an appropriate outlet before inserting battery pack.
2. Insert the battery pack **6** into the charger, making sure the battery pack is fully seated in the charger. The red (charging) light will blink repeatedly indicating that the charging process has started.
3. The completion of charge will be indicated by the red light remaining ON continuously. The battery pack is fully charged and may be used at this time or left in the charger. To remove the battery pack from the charger, push the battery release button **5** on the battery pack.

NOTE: To ensure maximum performance and life of lithium-ion battery packs, charge the battery pack fully before first use.

Charger Operation

Refer to the indicators below for the charge status of the battery pack.

Charge Indicators	
	Charging 
	Fully Charged 
	Hot/Cold Pack Delay* 

*The red light will continue to blink, but a yellow indicator light will be illuminated during this operation. Once the battery pack has reached an appropriate temperature, the yellow light will turn off and the charger will resume the charging procedure. The compatible charger(s) will not charge a faulty battery pack. The charger will indicate faulty battery by refusing to light.

NOTE: This could also mean a problem with a charger.

If the charger indicates a problem, take the charger and battery pack to be tested at an authorised service centre.

Hot/Cold Pack Delay

When the charger detects a battery pack that is too hot or too cold, it automatically starts a Hot/Cold Pack Delay, suspending charging until the battery pack has reached an appropriate temperature. The charger then automatically switches to the pack charging mode. This feature ensures maximum battery pack life.

A cold battery pack will charge at a slower rate than a warm battery pack. The battery pack will charge at that slower rate throughout the entire charging cycle and will not return to maximum charge rate even if the battery pack warms.

The DCB118 charger is equipped with an internal fan designed to cool the battery pack. The fan will turn on automatically when the battery pack needs to be cooled. Never operate the charger if the fan does not operate properly or if ventilation slots are blocked. Do not permit foreign objects to enter the interior of the charger.

Electronic Protection System

XR Li-Ion tools are designed with an Electronic Protection System that will protect the battery pack against overloading, overheating or deep discharge.

The tool will automatically turn off if the Electronic Protection System engages. If this occurs, place the lithium-ion battery pack on the charger until it is fully charged.

Wall Mounting

These chargers are designed to be wall mountable or to sit upright on a table or work surface. If wall mounting, locate the charger within reach of an electrical outlet, and away from a corner or other obstructions which may impede air flow. Use the back of the charger as a template for the location of the mounting screws on the wall. Mount the charger securely using drywall screws (purchased separately) at least 25.4 mm long with a screw head diameter of 7–9 mm, screwed into wood to

an optimal depth leaving approximately 5.5 mm of the screw exposed. Align the slots on the back of the charger with the exposed screws and fully engage them in the slots.

Charger Cleaning Instructions



WARNING: Shock hazard. Disconnect the charger from the AC outlet before cleaning. Dirt and grease may be removed from the exterior of the charger using a cloth or soft non-metallic brush. Do not use water or any cleaning solutions. Never let any liquid get inside the tool; never immerse any part of the tool into a liquid.

Battery Packs

Important Safety Instructions for All Battery Packs

When ordering replacement battery packs, be sure to include catalogue number and voltage.

The battery pack is not fully charged out of the carton. Before using the battery pack and charger, read the safety instructions below. Then follow charging procedures outlined.

READ ALL INSTRUCTIONS

- **Do not charge or use battery in explosive atmospheres, such as in the presence of flammable liquids, gases or dust.** Inserting or removing the battery from the charger may ignite the dust or fumes.
- **Never force battery pack into charger. Do not modify battery pack in any way to fit into a non-compatible charger as battery pack may rupture causing serious personal injury.**
- Charge the battery packs only in DeWALT chargers.
- **DO NOT splash or immerse in water or other liquids.**
- **Do not store or use the tool and battery pack in locations where the temperature may reach or exceed 40 °C (104 °F) (such as outside sheds or metal buildings in summer).**
- **Do not incinerate the battery pack even if it is severely damaged or is completely worn out.** The battery pack can explode in a fire. Toxic fumes and materials are created when lithium-ion battery packs are burned.
- **If battery contents come into contact with the skin, immediately wash area with mild soap and water.** If battery liquid gets into the eye, rinse water over the open eye for 15 minutes or until irritation ceases. If medical attention is needed, the battery electrolyte is composed of a mixture of liquid organic carbonates and lithium salts.
- **Contents of opened battery cells may cause respiratory irritation.** Provide fresh air. If symptoms persists, seek medical attention.



WARNING: Burn hazard. Battery liquid may be flammable if exposed to spark or flame.



WARNING: Never attempt to open the battery pack for any reason. If battery pack case is cracked or damaged, do not insert into charger. Do not crush, drop or damage battery pack. Do not use a battery pack or charger that has received a sharp blow, been dropped, run over or

damaged in any way (i.e., pierced with a nail, hit with a hammer, stepped on). Electric shock or electrocution may result. Damaged battery packs should be returned to service centre for recycling.



WARNING: Fire hazard. Do not store or carry the battery pack so that metal objects can contact exposed battery terminals. For example, do not place the battery pack in aprons, pockets, tool boxes, product kit boxes, drawers, etc., with loose nails, screws, keys, etc.



CAUTION: When not in use, place tool on its side on a stable surface where it will not cause a tripping or falling hazard. Some tools with large battery packs will stand upright on the battery pack but may be easily knocked over.

Transportation



WARNING: Fire hazard. Transporting batteries can possibly cause fire if the battery terminals inadvertently come in contact with conductive materials. When transporting batteries, make sure that the battery terminals are protected and well insulated from materials that could contact them and cause a short circuit.

DeWALT batteries comply with all applicable shipping regulations as prescribed by industry and legal standards which include UN Recommendations on the Transport of Dangerous Goods; International Air Transport Association (IATA) Dangerous Goods Regulations, International Maritime Dangerous Goods (IMDG) Regulations, and the European Agreement Concerning The International Carriage of Dangerous Goods by Road (ADR). Lithium-ion cells and batteries have been tested to section 38.3 of the UN Recommendations on the Transport of Dangerous Goods Manual of Tests and Criteria.

In most instances, shipping a DeWALT battery pack will be excepted from being classified as a fully regulated Class 9 Hazardous Material. In general, only shipments containing a lithium-ion battery with an energy rating greater than 100 Watt Hours (Wh) will require being shipped as fully regulated Class 9. All lithium-ion batteries have the Watt Hour rating marked on the pack. Furthermore, due to regulation complexities, DeWALT does not recommend air shipping lithium-ion battery packs alone regardless of Watt Hour rating. Shipments of tools with batteries (combo kits) can be air shipped as excepted if the Watt Hour rating of the battery pack is no greater than 100 Whr.

Regardless of whether a shipment is considered excepted or fully regulated, it is the shipper's responsibility to consult the latest regulations for packaging, labeling/marketing and documentation requirements.

The information provided in this section of the manual is provided in good faith and believed to be accurate at the time the document was created. However, no warranty, expressed or implied, is given. It is the buyer's responsibility to ensure that its activities comply with the applicable regulations.

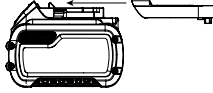
Transporting the FLEXVOLT™ Battery

The DeWALT FLEXVOLT™ battery has two modes: **Use** and **Transport**.

Use Mode: When the FLEXVOLT™ battery stands alone or is in a DEWALT 18V(20V Max) product, it will operate as an 18V(20V Max) battery. When the FLEXVOLT™ battery is in a 54V(60V Max) or a 108V(120V Max) (two 54V(60V Max) batteries) product, it will operate as a 54V(60V Max) battery.

Transport Mode: When the cap is attached to the FLEXVOLT™ battery, the battery is in Transport mode. Keep the cap for shipping.

When in Transport mode, strings of cells are electrically disconnected within the pack resulting in 3 batteries with a lower Watt hour (Wh) rating as compared to 1 battery with a higher Watt hour rating. This increased quantity of 3 batteries with the lower Watt hour rating can exempt the pack from certain shipping regulations that are imposed upon the higher Watt hour batteries.



For example, the Transport Wh rating might indicate 3 x 36 Wh, meaning 3 batteries of 36 Wh each. The Use Wh rating might indicate 108 Wh (1 battery implied).

Example of Use and Transport Label Marking



Storage Recommendations

1. The best storage place is one that is cool and dry away from direct sunlight and excess heat or cold. For optimum battery performance and life, store battery packs at room temperature when not in use.
2. For long storage, it is recommended to store a fully charged battery pack in a cool, dry place out of the charger for optimal results.

NOTE: Battery packs should not be stored completely depleted of charge. The battery pack will need to be recharged before use.

Labels on Charger and Battery Pack

In addition to the pictographs used in this manual, the labels on the charger and the battery pack may show the following pictographs:



Read instruction manual before use.



See **Technical Data** for charging time.



Do not probe with conductive objects.



Do not charge damaged battery packs.



Do not expose to water.



Have defective cords replaced immediately.



Charge only between 4 °C and 40 °C.



Only for indoor use.



Discard the battery pack with due care for the environment.



Charge DEWALT battery packs only with designated DEWALT chargers. Charging battery packs other than the designated DEWALT batteries with a DEWALT charger may make them burst or lead to other dangerous situations.



Do not incinerate the battery pack.



USE (without transport cap). Example: Wh rating indicates 108 Wh (1 battery with 108 Wh).



TRANSPORT (with built-in transport cap). Example: Wh rating indicates 3 x 36 Wh (3 batteries of 36 Wh).

Battery Type

The DCF850 operates on an 18 volt battery pack.

These battery packs may be used: DCB181, DCB182, DCB183, DCB183B, DCB184, DCB184B, DCB185, DCB187, DCB189, DCB203, DCB204, DCB205, DCB240, DCB546, DCB547, DCB548. Refer to **Technical Data** for more information.

Package Contents

The package contains:

- 1 Impact driver
- 1 Charger
- 1 Li-Ion battery pack (C1, D1, L1, M1, P1, S1, T1, X1, Y1 models)
- 2 Li-Ion battery packs (C2, D2, L2, M2, P2, S2, T2, X2, Y2 models)
- 3 Li-Ion battery packs (C3, D3, L3, M3, P3, S3, T3, X3, Y3 models)
- 1 Magnetic bit holder
- 1 Belt hook
- 1 Kitbox
- 1 Instruction manual
- 1 Tool Connect™ App instruction manual (B models)

NOTE: Battery packs, chargers and kitboxes are not included with N-models.

- Check for damage to the tool, parts or accessories which may have occurred during transport.
- Take the time to thoroughly read and understand this manual prior to operation.

Markings on Tool

The following pictographs are shown on the tool:



Read instruction manual before use.



Visible radiation. Do not stare into light.

Date Code Position (Fig. B)

The date code **14**, which also includes the year of manufacture, is printed into the housing.

Example:

2021 XX XX

Year of Manufacture

Description (Fig. A)



WARNING: Never modify the power tool or any part of it. Damage or personal injury could result.

- | | |
|----------------------------------|----------------------------------|
| 1 Trigger switch | 7 Worklights |
| 2 Forward/reverse control button | 8 Belt hook (optional accessory) |
| 3 Chuck collar | 9 Mounting screw |
| 4 6.35 mm hex chuck | 10 Main handle |
| 5 Battery release button | 11 Mode selector |
| 6 Battery pack | 12 Magnetic bit holder |

Intended Use

This impact driver is designed for professional impact screwdriving applications. The impact function makes this tool particularly useful for driving fasteners in wood, metal and concrete.

DO NOT use under wet conditions or in the presence of flammable liquids or gases.

This impact driver is a professional power tool.

DO NOT let children come into contact with the tool. Supervision is required when inexperienced operators use this tool.

- **Young children and the infirm.** This appliance is not intended for use by young children or infirm persons without supervision.
- This product is not intended for use by persons (including children) suffering from diminished physical, sensory or mental abilities; lack of experience, knowledge or skills unless they are supervised by a person responsible for their safety. Children should never be left alone with this product.

ASSEMBLY AND ADJUSTMENTS



WARNING: To reduce the risk of serious personal injury, turn tool off and disconnect battery pack before making any adjustments or removing/installing attachments or accessories. An accidental start-up can cause injury.



WARNING: Use only DEWALT battery packs and chargers.

Inserting and Removing the Battery Pack from the Tool (Fig. B)

NOTE: Make sure your battery pack **6** is fully charged.

To Install the Battery Pack into the Tool Handle

1. Align the battery pack **6** with the rails inside the tool's handle (Fig. B).
2. Slide it into the handle until the battery pack is firmly seated in the tool and ensure that you hear the lock snap into place.

To Remove the Battery Pack from the Tool

1. Press the release button **5** and firmly pull the battery pack out of the tool handle.
2. Insert battery pack into the charger as described in the charger section of this manual.

Fuel Gauge Battery Packs (Fig. B)

Some DEWALT battery packs include a fuel gauge which consists of three green LED lights that indicate the level of charge remaining in the battery pack.

To actuate the fuel gauge, press and hold the fuel gauge button **13**. A combination of the three green LED lights will illuminate designating the level of charge left. When the level of charge in the battery is below the usable limit, the fuel gauge will not illuminate and the battery will need to be recharged.

NOTE: The fuel gauge is only an indication of the charge left on the battery pack. It does not indicate tool functionality and is subject to variation based on product components, temperature and end-user application.

Belt Hook and Magnetic Bit Holder (Fig. A)



WARNING: To reduce the risk of serious personal injury, turn tool off and disconnect battery pack before making any adjustments or removing/installing attachments or accessories.



WARNING: To reduce the risk of serious personal injury, DO NOT suspend tool overhead or suspend objects from the belt hook. ONLY hang tool's belt hook from a work belt.



WARNING: To reduce the risk of serious personal injury, ensure the screw holding the belt hook is secure.

IMPORTANT: When attaching or replacing the belt hook or magnetic bit holder, use only the screw **9** that is provided. Be sure to securely tighten the screw.

The belt hook **8** and magnetic bit holder **12** can be attached to either side of the tool using only the screw **9** provided, to accommodate left- or right- handed users. If the hook or magnetic bit holder is not desired at all, it can be removed from the tool.

To move belt hook or magnetic bit holder, remove the screw **9** that holds it in place then reassemble on the opposite side. Be sure to securely tighten the screw.

OPERATION

Instructions for Use



WARNING: Always observe the safety instructions and applicable regulations.



WARNING: To reduce the risk of serious personal injury, turn tool off and disconnect battery pack before making any adjustments or removing/

installing attachments or accessories. An accidental start-up can cause injury.

Proper Hand Position (Fig. A, C)



WARNING: To reduce the risk of serious personal injury, **ALWAYS** use proper hand position as shown.



WARNING: To reduce the risk of serious personal injury, **ALWAYS** hold securely in anticipation of a sudden reaction.

Proper hand position requires one hand on the main handle **10**.

Variable Speed Trigger Switch (Fig. A)

To turn the tool on, squeeze the trigger switch **1**. To turn the tool off, release the trigger switch. Your tool is equipped with a brake. The tool will stop when the trigger switch is fully released. The variable speed switch enables you to start the application at a slow speed. The further you squeeze the trigger, the faster the tool will operate. For maximum tool life, use variable speed only for starting holes or fasteners.

NOTE: Continuous use in variable speed range is not recommended. It may damage the switch and should be avoided.

Forward/Reverse Control Button (Fig. A)

A forward/reverse control button **2** determines the direction of the tool and also serves as a lock-off button.

To select forward rotation, release the trigger switch **1** and depress the forward/reverse control button **2** on the right side of the tool.

To select reverse, release the trigger switch **1** and depress the forward/reverse control button **2** on the left side of the tool. The centre position of the control button locks the trigger switch in the off position. When changing the position of the control button, be sure the trigger is released.

NOTE: The first time the tool is run after changing the direction of rotation, you may hear a click on start up. This is normal and does not indicate a problem.

Worklights (Fig. A)

There are three worklights **7** located around the 6.35 mm hex chuck **4**. The worklights are activated when the trigger switch is depressed.

When the trigger is released, the worklight will stay illuminated for up to 20 seconds.

NOTE: The worklights are for lighting the immediate work surface and are not intended to be used as a flashlight.

Mode Selector (Fig. A, D)

Your tool is equipped with a mode selector **11** which allows you to select one of three modes. Select the mode based on the application and control the speed of the tool using the variable speed trigger switch **1**.

Precision Drive (Fig. D)

In addition to normal impacting modes, this tool features the Precision Drive mode which enables greater control in lighter applications to avoid damage to materials or fasteners. It is ideal for light applications such as cabinet hinge screws or machine screws. Precision Drive mode will work as a screwdriver in light applications, before hesitating as the screw head reaches the work piece, and then (if required) start a slow controlled impact to ensure the head ends perfectly flush.

NOTE: This mode is for light duty screwdriving applications. If the tool will not drive a fastener in Precision Mode, please select mode 2 which will give the additional power required.

DCF850			
Mode 1	Precision Drive	rpm	0–1000
Mode 2	Normal Impacting	rpm	0–2800
Mode 3	High Speed Impacting	rpm	0–3250

Quick-Release Chuck (Fig. A, E, F)



WARNING: Use only impact accessories. Non-impact accessories may break and cause a hazardous condition. Inspect accessory prior to use to ensure that it contains no cracks.

NOTE: The chuck accepts 6.35 mm hex accessories only.

Place the forward/reverse button **2** in the lock-off (centre) position or remove battery pack before changing accessories.

To install an accessory, fully insert the accessory. The accessory is locked into place (Fig. E).

To remove an accessory, pull the chuck collar **3** away from the front of the tool. Remove the accessory (Fig. F).

Usage

Your impact tool generates the following maximum torque:

Cat #	Nm
DCF850	205



CAUTION: Ensure fastener and/or system will withstand the level of torque generated by the tool. Excessive torque may cause breakage and possible personal injury.

- Place the accessory into the chuck. Keep the tool pointed straight at the work piece.
- Press switch to start operation. Release the switch to stop operation. Always check torque with a torque wrench, as the fastening torque is affected by many factors including the following:
 - Voltage: Low voltage, due to a nearly discharged battery, will reduce fastening torque.
 - Socket size: Failure to use the correct socket size will cause a reduction in fastening torque.
 - Bolt Size: Larger bolt diameters generally require higher fastening torque. Fastening torque will also vary according to length, grade, and torque coefficient.
 - Bolt: Ensure that all threads are free of rust and other debris to allow proper fastening torque.

- Material: The type of material and surface finish of the material will affect fastening torque.
- Fastening Time: Longer fastening time results in increased fastening torque. Using a longer fastening time than recommended could cause the fasteners to be overstressed, stripped or damaged.

MAINTENANCE

Your DeWALT power tool has been designed to operate over a long period of time with a minimum of maintenance. Continuous satisfactory operation depends upon proper tool care and regular cleaning.



WARNING: To reduce the risk of serious personal injury, turn tool off and disconnect battery pack before making any adjustments or removing/installing attachments or accessories. An accidental start-up can cause injury.

The charger and battery pack are not serviceable.



Lubrication

Your power tool requires no additional lubrication.



Cleaning



WARNING: Blow dirt and dust out of the main housing with dry air as often as dirt is seen collecting in and around the air vents. Wear approved eye protection and approved dust mask when performing this procedure.



WARNING: Never use solvents or other harsh chemicals for cleaning the non-metallic parts of the tool. These chemicals may weaken the materials used in these parts. Use a cloth dampened only with water and mild soap. Never let any liquid get inside the tool; never immerse any part of the tool into a liquid.

Optional Accessories



WARNING: Since accessories, other than those offered by DeWALT, have not been tested with this product, use of such accessories with this tool could be hazardous. To reduce the risk of injury, only DeWALT recommended accessories should be used with this product.



WARNING: Use only impact accessories. Non-impact accessories may break and cause a hazardous condition. Inspect accessories prior to use to ensure that they contain no cracks.

Consult your dealer for further information on the appropriate accessories.

Protecting the Environment



Separate collection. Products and batteries marked with this symbol must not be disposed of with normal household waste.

Products and batteries contain materials that can be recovered or recycled reducing the demand for raw

materials. Please recycle electrical products and batteries according to local provisions. Further information is available at www.2helpU.com.

Rechargeable Battery Pack

This long life battery pack must be recharged when it fails to produce sufficient power on jobs which were easily done before. At the end of its technical life, discard it with due care for our environment:

- Run the battery pack down completely, then remove it from the tool.
- Li-Ion cells are recyclable. Take them to your dealer or a local recycling station. The collected battery packs will be recycled or disposed of properly.

After Service and Repair

DeWALT service centers are staffed with trained personnel to provide customers with efficient and reliable product service. We do not take any responsibility when you have repaired in unauthorized service center. You can refer to the leaflet of CONTACT CENTER LOCATOR in product package and contact us through hotline, website or social media to find the nearest DeWALT service center around you.

无刷冲击起子

DCF850

恭喜!

感谢您选购 DeWALT 工具。凭借多年的产品开发和创新能力，DeWALT 已经成为专业电动工具用户最可靠的合作伙伴之一。

技术参数

DCF850		
电压	V _{DC}	18(20 Max)
电池类型		锂离子
功率输出	W	475
空载转速	rpm	
模式1		0-1000
模式2		0-2800
模式3		0-3250
冲击速率	ipm	0-3800
最大扭矩	Nm	205
工具支架	mm	6.35
重量 (不含电池包)	kg	0.95

! **警告:** 宣称的振动和/或噪音排放水平代表的是工具在冲击紧固紧固件时产生的最大功率。如果工具被用于不同用途, 与不同配件搭配使用, 而且保养不当, 那么其振动和/或噪音排放的水平可能会有所不同。这会显著提升整个工作时期的暴露水平。

在对振动和/或噪音排放的暴露情况进行预估时, 还要考虑关闭工具的次数, 或工具空转的次数。这会显著降低整个工作时期的暴露水平。

确认额外的安全措施, 保护操作人员免受振动和/或噪音的影响, 例如: 保养工具和附件, 保持双手温暖 (与振动相关), 作业形式的组织安排。



警告: 为降低伤害风险, 请阅读使用手册。

定义: 安全指南

下列定义描述了各标志术语的严重程度。请仔细阅读本手册, 并注意这些标志。



危险: 表示存在紧急危险情况, 如果不加以避免, 将导致死亡或严重伤害。



警告: 表示存在潜在的危险情况, 如果不加以避免, 可能导致死亡或严重伤害。



小心: 表示存在潜在危险情况, 如果不加以避免, 可能导致轻度或中度伤害。

注意: 表示存在不涉及人身伤害的情况, 若如果不加以避免, 可能导致财产损失。



表示存在触电风险。



表示存在火灾风险。

电池				充电器/充电时间(分钟)							
目录号	伏特 _{直流}	安时	重量(kg)	DCB104	DCB107	DCB112	DCB115	DCB117	DCB118	DCB132	DCB1112
DCB546/DCB606	18/54 (20/60 Max)	6.0/2.0	1.05	60	270	170	90	40	60	90	40
DCB547/DCB609	18/54 (20/60 Max)	9.0/3.0	1.46	75*	420	270	135*	60	75*	135*	60
DCB548/DCB612	18/54 (20/60 Max)	12.0/4.0	1.44	120	540	350	180	80	120	180	80
DCB181	18 (20 Max)	1.5	0.35	22	70	45	22	22	22	22	22
DCB182/DCB204	18 (20 Max)	4.0	0.61	60/40**	185	120	60	60/40**	60/40**	60	60/40**
DCB183/DCB203	18 (20 Max)	2.0	0.40	30	90	60	30	30	30	30	30
DCB184/DCB205	18 (20 Max)	5.0	0.62	75/50**	240	150	75	75/50**	75/50**	75	75/50**
DCB185	18 (20 Max)	1.3	0.35	22	60	40	22	22	22	22	22
DCB187	18 (20 Max)	3.0	0.54	45	140	90	45	45	45	45	45
DCB189/DCB240	18 (20 Max)	4.0	0.54	60	185	120	60	60	60	60	60
DCB186	18 (20 Max)	6.0	0.95	60	270	170	90	60	60	90	60

*日期码201811475B或以后

**日期码201536或以后

电动工具通用安全警告



警告！阅读随电动工具提供的所有安全警告、说明、图示和规定。不遵照以下所列说明会导致电击、着火和/或严重伤害。

保存所有警告和说明书以备查阅。

警告中的术语“电动工具”指市电驱动(有线)电动工具或电池驱动(无线)电动工具。

1) 工作场地的安全

- 保持工作场地清洁和明亮。杂乱和黑暗的场地会引发事故。
- 不要在易爆环境,如有易燃液体、气体或粉尘的环境下操作电动工具。电动工具产生的火花会点燃粉尘或气体。
- 操作电动工具时,远离儿童和旁观者。注意力不集中会使你失去对工具的控制。

2) 电气安全

- 电动工具插头必须与插座相配。绝不能以任何方式改装插头。需接地的电动工具不能使用任何转换插头。未经改装的插头和相配的插座将降低电击风险。
- 避免人体接触接地表面,如管道、散热片和冰箱。如果你身体接触接地表面会增加电击风险。
- 不得将电动工具暴露在雨中或潮湿环境中。水进入电动工具将增加电击风险。
- 不得滥用软线。绝不能用软线搬运、拉动电动工具或拔出其插头。使软线远离热源、油、锐边或运动部件。受损或缠绕的软线会增加电击风险。
- 当在户外使用电动工具时,使用适合户外使用的延长线。适合户外使用的电线将降低电击风险。
- 如果无法避免在潮湿环境下操作电动工具,应使用带有剩余电流装置(RCD)保护的电源。RCD的使用可降低电击风险。

3) 人身安全

- 保持警觉,当操作电动工具时关注所从事的操作并保持清醒。当你感到疲倦,或有药物、酒精或治疗反应时,不要操作电动工具。在操作电动工具时瞬间的疏忽会导致严重人身伤害。
- 使用个人防护装置。始终佩戴护目镜。防护装置,诸如适当条件下使用防尘面具、防滑安全鞋、安全帽、听力防护等装置能减少人身伤害。
- 防止意外起动。在连接电源和/或电池盒、拿起或搬运工具前确保开关处于关断位置。手指放在开关上搬运工具或开关处于接通时通电会导致危险。
- 在电动工具接通之前,拿掉所有调节钥匙或扳手。遗留在电动工具旋转零件上的扳手或钥匙会导致人身伤害。
- 手不要过分伸展。时刻注意立足点和身体平衡。这样能在意外情况下能更好地控制住电动工具。
- 着装适当。不要穿宽松衣服或佩戴饰品。让你的头发和衣服远离运动部件。宽松衣服、配饰或长发可能会卷入运动部件。
- 如果提供了与排屑、集尘设备连接用的装置,要确保其连接完好且使用得当。使用集尘装置可降低尘屑引起的危险。
- 不要因为频繁使用工具而产生的熟悉感而掉以轻心,忽视工具的安全准则。某个粗心的动作可能在瞬间导致严重的伤害。

4) 电动工具使用和注意事项

- 不要勉强使用电动工具,根据用途使用合适的电动工具。选用合适的按照额定值设计的电动工具会使你工作更有效、更安全。
- 如果开关不能接通或关断电源,则不能使用该电动工具。不能通过开关来控制的电动工具是危险的且必须进行修理。
- 在进行任何调节、更换附件或贮存电动工具之前,必须从电源上拔掉插头和/或卸下电池包(如可拆卸)。这种防护性的安全措施降低了电动工具意外起动的风险。
- 将闲置不用的电动工具贮存在儿童所及范围之外,并且不允许不熟悉电动工具和不了解这些说明的人操作电动工具。电动工具在未经培训的使用者手中是危险的。
- 维护电动工具及其附件。检查运动部件是否调整到位或卡住,检查零件破损情况和影响电动工具运行的其他状况。如有损坏,应在使用前修理好电动工具。许多事故是由维护不良的电动工具引发的。
- 保持切削刀具锋利和清洁。维护良好地有锋利切削刃的刀具不易卡住而且容易控制。
- 按照使用说明书,并考虑作业条件和要进行的作业来选择电动工具、附件和工具的刀头等。将电动工具用于那些与其用途不符的操作可能会导致危险情况。
- 保持手柄和握持表面干燥、清洁,不得沾有油脂。在意外的情况下,湿滑的手柄不能保证握持的安全和对工具的控制。

5) 电池式工具使用和注意事项:

- 仅使用生产者规定的充电器充电。将适用于某种电池包的充电器用到其他电池包时可能会发生着火危险。
- 仅使用配有专用电池包的电动工具。使用其他电池包可能会产生伤害和着火危险。
- 当电池包不用时,将它远离其他金属物体,例如回形针、硬币、钥匙、钉子、螺钉或其他小金属物体,以防电池包一端与另一端连接。电池包端部短路会引起燃烧或着火。
- 在滥用条件下,液体可能会从电池包中溅出,应避免接触。如果意外碰到液体,用水冲洗。如果液体碰到了眼睛,还要寻求医疗帮助。从电池中溅出的液体可能会发生腐蚀或燃烧。
- 不要使用损坏或改装过的电池包或工具。损坏或改装过的电池包可能呈现无法预测的结果,导致着火、爆炸或伤害。
- 不要将电池包暴露于火或者高温中。电池包暴露于火或高于130°C的高温中可能导致爆炸。
- 请遵循所有充电说明,请勿在说明书中规定的温度范围以外的环境对电池包或工具充电。不当或在指定范围以外的温度下充电,可能导致电池损坏并增加火灾风险。

6) 维修

- 让专业维修人员使用相同的备件维修电动工具。这将保证所维修的电动工具的安全。
- 决不能维修损坏的电池包。电池包仅能由生产者或其授权的维修服务商进行维修。

面向冲击扳手/起子的额外安全规则

- 在紧固件可能触及暗线进行操作时,要通过绝缘握持面来握持工具。紧固件碰到带电导线会使工具外露的金属零件带电从而使操作者受到电击。

剩余风险

尽管遵守了相关的安全法规并采用了安全装备,某些剩余风险仍然是无法避免的。这些风险包括:

- 听力损伤。
- 飞溅颗粒造成的人身伤害风险。
- 使用时附件发热导致的灼伤风险。
- 长时间使用引起的人身伤害风险。

请保存这些安全指示

充电器

DeWALT充电器无需做出任何调整,专为简易操作而设计。

电气安全

电机只适用一种工作电压。请务必检查电池包的电压是否和铭牌上的电压一致。另外,请确保充电器电压和主电源的电压一致。



DeWALT充电器符合 IEC60335 双重绝缘要求,因此无需使用接地线。

如果电源线受损,必须由DeWALT服务组织用特制电线进行更换。

使用延长线

除非绝对必要,否则请勿使用延长线。使用适合您的充电器输入功率的合格延长线(见**技术参数**)。最小的导线尺寸为1平方毫米;最大长度为30米。

使用电缆卷筒时,请务必拉出所有的电缆。

针对所有电池充电器的重要安全说明

请妥善保管好这些说明: 本手册包含重要的兼容电池充电器安全和操作说明(请参阅**技术参数**)。

- 在使用充电器之前,请先阅读所有指示以及充电器、电池包和使用电池包的产品上的警告标记。



警告:触电危险。切勿让任何液体进入充电器,否则可能会导致触电。



警告:我们建议使用漏电保护额定电流为30毫安或以下的漏电保护装置。



小心:灼伤危险。为降低人身伤害风险,请仅使用 DeWALT 充电式电池充电。使用其它类型的电池可能会引起爆裂,并导致人身伤害和损害。



小心:应看管好儿童,以确保他们不将此设备当做玩具来玩。
注意:在某些情况下,当充电器的插头插入电源插座时,充电器内部裸露的充电接触点可能因为外来物件而短路。请勿让能导电的异物靠近充电器腔,这些外来物件包括但不限于钢棉、铝箔或任何金属颗粒的堆积物。充电器内没有电池包时,请断开充电器与电源的连接。清洗前,务必拔掉充电器。

- 请勿试图使用本手册指定的充电器以外的其他任何充电器为电池包充电。充电器和电池包都是专门设计的,互相配合使用。
- 除了为 DeWALT 充电式电池充电以外,这些充电器并非设计用于其他用途。否则,可能会导致火灾、触电或电击。
- 请勿将充电器暴露于雨中或雪中。
- 断开充电器连接时,应拔下插头,切勿拉拽电源线。这将降低对电插头和电线的损害风险。
- 确保电源线布置在不易踩踏、踢绊、拉扯或会受到损害或压力的位置。

- 除非绝对必要,否则请勿使用延长线。使用不正确的延长线可能导致火灾、触电或电击的风险。
- 请勿将任何物件放在充电器上面,或是把充电器放在可能会堵住通风槽的柔软表面,导致充电器的内部过热。请把充电器放置在远离任何热源的地方。充电器通过外壳顶端和底端的槽进行通风。
- 禁止使用电源线或插头已损坏的充电器,请立即更换这些充电器。
- 如果充电器受到强烈冲击、掉落或出现其他损坏情况,请勿使用充电器。请将损坏的充电器送到授权服务中心。
- 请勿自行拆卸充电器。请将需要检修或修理的充电器送到授权服务中心。重装不正确可能导致触电、电击或火灾风险。
- 必须立即将已损坏的电源线交由制造商、服务代理或类似的合格人员进行更换以防止安全隐患。
- 清洁前,请先断开充电器和插座的连接,以降低触电风险。取出电池包不会降低此风险。
- 切勿将两个充电器连接在一起。
- 充电器是为 220V-240V 的标准家用电源而设计。请勿试图在任何其他电压下使用充电器。此规则不适用于车载充电器。

为电池充电 (图 B)

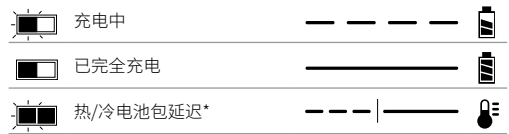
1. 插入电池包前,先将充电器的插头插到相应的电源插座上。
2. 将电池包 6 插入到充电器中,确定电池包完全就位。红色(充电中)指示灯将不断闪烁,表示充电过程已经开始。
3. 红色灯持续亮起表示充电完成。此时电池包已完全充电,您可以使用电池包或将电池包留在充电器上。要从充电器上取下电池包,请按下电池包上的电池释放按钮 5。

注意:为了确保锂离子电池的效能和使用寿命最大化,在首次使用电池包之前必须将其完全充电。

充电器操作

关于电池包的充电状态,请参阅以下指示灯说明。

充电状态指示灯



*红色指示灯会继续闪烁,但黄色指示灯在本次操作过程中会亮起。电池包达到适当温度后,黄色指示灯会熄灭,充电器将恢复充电程序。

此兼容充电器不能为故障的电池包充电。充电器指示灯不亮时表示电池有故障。

注:这也可能意味着充电器有故障。

如果充电器提示存在故障,请将充电器和电池包送到授权的服务中心进行测试。

热/冷电池包延迟

当充电器检测到电池包过热或过冷时,它会启动热/冷电池延迟模式,暂停充电,直到电池包达到适当的温度。然后,充电器会自动切换到电池包充电模式。此功能可确保电池包拥有最长的使用寿命。

冷电池包充电速度比热电池包充电速度慢。电池包在整个充电周期的充电速度都会较慢,即使电池包升温也不会恢复到最大速度。

DCB118 充电器配备专用于冷却电池包的内部风扇。电池包需要冷却时，风扇会自动启动。如果风扇运转不正常或通风槽堵塞，切勿操作充电器。请勿让异物进入充电器内部。

电子保护系统

XR 锂离子电池工具具有电子保护系统设计，可保护电池包免受过载、过热或过度放电之害。

如果电子保护系统处于运作状态，该工具将自动停止操作。如果发生这种情况，请将锂离子电池包放在充电器上，直至其完全充电。

壁挂式安装

这些充电器设计为可以安装在墙上，也可以直立在桌面或工作台上。如果安装在墙上，请确保充电器的位置可以连接到电源插座，并且远离墙角或其他可能妨碍空气流通的障碍物。将充电器背面作为在墙上安装螺丝的位置模板。使用至少 25.4 毫米长、螺丝帽直径至少 7.9 毫米的石膏板螺丝（单独购买）牢牢固定充电器，将螺丝最大限度打入木材，预留约 5.5 毫米露在墙外。将充电器背面的安装槽对准露出的螺丝，完全放置到位。

充电器清洁说明



警告：触电危险。清洁前，请将充电器从交流电源插座上拔下。可用布或非金属软刷清除充电器外部的污垢和油脂。请勿使用水或任何清洁剂。切勿让任何液体渗入工具，切勿让工具的任何部件浸在液体中。

电池包

针对所有电池包的重要安全说明

在订购更换电池包时，请务必附上目录型号和电压。

包装箱内的电池包并未完全充电。使用电池包和充电器之前，请阅读下列安全说明，然后遵循所述的充电程序。

请阅读所有说明

- **请勿在易燃易爆环境，如有易燃液体、气体或粉尘的环境中充电或使用电池。**在充电器中插入或取出电池时可能会点燃粉尘或气体。
- **切勿强行将电池放进充电器。请勿以任何方式改装电池包并将电池包插入不兼容的充电器，这种操作可能会导致电池包破裂，造成严重的人身伤害。**
- 只使用 DEWALT 充电器为电池充电。
- **请勿喷溅电池包或将其浸泡在水或其他液体中。**
- **请勿在温度可能达到或超过 40°C (104°F) 的地方（如夏天户外的棚子或金属建筑物中）存储或使用工具和电池包。**
- **即使电池包严重受损或完全损坏，也请勿焚化电池包。电池包在火中会发生爆炸。锂离子电池包在燃烧时会释放有毒气体和物质。**
- **如果电池液体接触到皮肤，请立即以中性肥皂和清水冲洗接触的地方。**如果电池液体不慎进入眼睛，应睁开眼睛并用清水冲洗至少 15 分钟或直到刺激感消失。如果需要医疗救助，请告知医护人员。电池电解质由液状有机碳酸盐和锂盐的混合物组成。
- **已打开电池的內部物质可能导致呼吸道刺激。**请保持空气流通。如果症状持续存在，请就医。



警告：灼伤危险。电池液如果接触到火花或火焰可能会燃烧。



警告：切勿以任何理由试图打开电池包。电池包外壳破裂或损坏时，请勿将电池包插入充电器。请勿挤压、掉落或损坏电池包。请勿使用受过强烈重击、掉落、碾压或以任何其它方式（如被钉子穿破、受到锤子的重击、踩踏）受损的电池包

或充电器。否则可能会引起触电或电击。损坏的电池包应送回服务中心进行回收。



警告：火灾危险。请勿在存储或搬运电池包时让金属物品接触暴露的电池两极。例如，请勿将电池包放在围裙、口袋、工具箱、产品套件盒、抽屉等可能与螺钉、螺丝、钥匙等物品接触的地方。



警告：不用时，将工具侧放在平稳的表面上，确保不会有踢绊或掉落的危险。一些具有大型电池包的工具将直立于电池包之上，但可能会轻易被撞倒。

运输



警告：火灾危险。电池运输途中，如果电池两极意外接触导电材料，可能会引发火灾。运输电池时，务必保护电池两极，确保与可能接触电池导致短路的材料良好绝缘。

DEWALT 电池符合所有适用的行业和法律标准规定的运输规范，包括《联合国危险品运输建议规章范本》(UN Recommendations on the Transport of Dangerous Goods)、《国际航空运输协会 (IATA) 危险品规则》(International Air Transport Association (IATA) Dangerous Goods Regulations)、《国际海运危险品 (IMDG) 规则》(International Maritime Dangerous Goods (IMDG) Regulations) 和《欧洲危险货物国际公路运输协定》(European Agreement Concerning The International Carriage of Dangerous Goods by Road) (ADR)。锂离子电池和电池包已遵循《联合国危险品运输建议规章范本手册》第 38.3 节关于测试和标准的说明通过测试。

大多数情况下，发运 DEWALT 电池包不属于完全管制的 9 类危险品。通常情况下，只有当运输包含一个能量等级大于 100 瓦时 (Wh) 的锂离子电池时，才需要作为完全管制的 9 类危险品发运。所有锂离子电池外壳上均标注有瓦时等级。此外，由于法规比较复杂，无论瓦时等级是多少，DEWALT 都不建议单独空运锂离子电池包。发运包含电池的工作（组合套件）时，如果电池包的能量等级不大于 100 瓦时 (Wh)，则可以按计划空运。

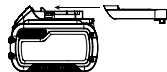
无论发运是否纳入完全管制范围内，运输公司均有责任遵循最新法规中关于包装、标签/标记和单据的要求。本手册本节的信息是出于善意提供，且认为在编制文档时准确无误。但是不提供明示或暗示的担保。购买方负有确保其行为遵守适用法规的责任。

运输 FLEXVOLT™ 电池

DEWALT FLEXVOLT™ 电池有两种模式：**使用和运输。**

使用模式：当 FLEXVOLT™ 电池单独使用或用于 DEWALT 18 伏 (最大 20 伏) 产品时，将作为功率为 18 伏 (最大 20 伏) 的电池进行操作。当 FLEXVOLT™ 电池用于 54 伏 (最大 60 伏) 或 108 伏 (最大 120 伏) (两个 54 伏 (最大 60 伏) 电池) 的产品时，将作为 54 伏 (最大 60 伏) 的电池进行操作。

运输模式：当电池盖连接到 FLEXVOLT™ 电池时，电池会进入运输模式。保留电池盖用于运输。



处于运输模式时，电池包内部的电池芯会处于断电状态，使 3 个低瓦时 (Wh) 等级的电池相当于 1 个高瓦时等级电池。这样，增加 3 个低瓦时等级的电池可以使电池包不必遵守适用于更高瓦时电池的运输法规。

例如，若运输额定瓦时为 3 x 36 瓦时，则表示 3 个 36 瓦时的电池。使用瓦时额定值可能是 108 瓦时 (表示 1 个电池)。

使用和运输标签示例



存放建议

1. 最好将电池存放在阴凉、干燥、远离阳光直射、不会过热或过冷的地方。为了获得最佳的电池性能和使用寿命，请您在不使用电池包时将其存储在室温下。
2. 长期存储时，建议将完全充电的电池包从充电器取出，存储在阴凉、干燥的地方，以达到最佳效果。

注意：电池包不应在电池已完全耗尽的状态下存放。使用电池包之前，必须重新为电池包充电。

充电器和电池包上的标签

除了在本手册中所使用的标志，充电器和电池包的标签还包括：



使用前请阅读使用手册



充电时间详细信息，请参阅**技术参数**。



请勿使用导电物体戳刺。



请勿对损坏的电池包充电。



请勿将其暴露于水中。



应立即更换有缺陷的电线。



请只在 4°C 和 40°C 之间的温度下充电。



只能在室内使用。



弃置电池包时，请妥善处理以保护我们的环境。



只使用指定的 DeWALT 充电器为 DeWALT 电池包充电。
使用 DeWALT 充电器为非 DeWALT 电池充电可能会导致电池爆炸或出现其他危险情况。



请勿焚化电池包。



使用（无电池盖）。示例：瓦时额定值为 108 瓦时（1 个 108 瓦时的电池）。



运输（有内置运输盖）。示例：瓦时额定值为 3 x 36 瓦时（3 个 36 瓦时的电池）。

电池类型

DCF850 使用 18 伏特电池包。

这些电池包可用于：DCB181, DCB182, DCB183, DCB183B, DCB184, DCB184B, DCB185, DCB187, DCB189, DCB203, DCB204, DCB205, DCB240, DCB546, DCB547, DCB548。更多信息，请参阅**技术参数**。

包装内的物品

包装内的物品包括：

- 1 个冲击起子
- 1 个充电器
- 1 个锂离子电池包 (C1, D1, L1, M1, P1, S1, T1, X1, Y1 型号)
- 1 个锂离子电池包 (C2, D2, L2, M2, P2, S2, T2, X2, Y2 型号)
- 3 个锂离子电池包 (C3, D3, L3, M3, P3, S3, T3, X3, Y3 型号)
- 1 个磁性钻头固定器
- 1 个皮带扣
- 1 个工具箱
- 1 本说明手册
- 1 个 Tool Connect™ 应用程序说明手册 (B 型号)

注意：N 型号不包含电池包、充电器和工具箱。

- 检查工具、部件或附件是否在运输过程中损坏。
- 操作前，请抽空仔细阅读并掌握本手册。

工具上的标记

工具上印有下列图形：



使用前请阅读使用手册



肉眼可见的辐射。请勿直视光源。

日期代码位置 (图 B)

包含制造年份的日期码 **14** 打印在工具外壳上。

示例：

2021 XX XX
制造年份

说明 (图 A)



警告：切勿改装本电动工具或其任何部件，否则可能会导致损坏或人身伤害。

- | | |
|----------------|--------------|
| 1 扳机开关 | 7 工作灯 |
| 2 顺向/逆向控制按钮 | 8 皮带扣 (可选配件) |
| 3 卡盘套环 | 9 安装螺丝 |
| 4 6.35 mm 六角卡盘 | 10 主手柄 |
| 5 电池释放按钮 | 11 模式选择器 |
| 6 电池包 | 12 磁性钻头固定器 |

设计用途

该冲击起子被设计用于冲击紧固螺丝的专业用途。它所具备的冲击功能能让该工具在向木材、金属和混凝土中旋入紧固件时发挥重要作用。

请勿在潮湿环境中或在易燃液体或气体存在的环境中使用本工具。本冲击起子是专业型电动工具。

请勿让儿童接触本工具。缺乏经验的操作员需要在监督下使用本工具。

- **儿童和体弱者。**在没有他人监督的情况下，儿童或体弱者不适宜使用本产品。
- 本产品不适合体力、感官或智力不足以及缺乏经验、知识或技能的人员（包括儿童）使用，除非一旁有能为他们的安全负责的监督人员。不得在无人监管的情况下让儿童接触本产品。

组装与调整

警告:为降低严重的人身伤害风险,在进行任何调整或取出/安装附件或配件之前,请关闭工具并断开电池包连接。意外启动可能会导致人身伤害。

警告:只使用 DeWALT 电池包和充电器。

向工具插入电池包以及从中取出电池包 (图 B)

注意:确保电池包 6 充满电。

要将电池包安装到工具手柄中

1. 将电池包 6 与工具手柄内的轨道 (图 B)。
2. 将电池包滑入手柄内,使其牢牢地固定在工具内,并确保您听到其锁定到位的声音。

从工具中取出电池包

1. 按下释放按钮 5,将电池包从工具握柄中稳妥地拉出。
2. 按手柄充电器部分所述将电池包插入充电器中。

电池包电量计 (图 B)

一些 DeWALT 电池包带有一个包含三个绿色 LED 指示灯的电量计,用于指示电池包内的剩余电量。

按下电量计按钮不松开,即可启动电量计 13。三个绿色 LED 指示灯将以组合方式亮起,以指示剩余电量。当电池内的电量低于可用限制时,电量计将不会亮起,电池将需要重新充电。

注意:电量计仅指示电池包的剩余电量。它并不表示该工具的功能,且将根据产品组件、温度和最终用户的使用情况而有所不同。

皮带扣和磁性钻头固定器 (图 A)

警告:为降低严重的人身伤害风险,在进行任何调整或取出/安装附件或配件之前,请关闭工具并断开电池包连接。

警告:为降低严重人身伤害的风险,请勿将工具悬挂在头顶上,或将物件挂在安全带挂钩上。仅将工具的安全皮带扣挂在工作皮带上。

警告:为降低严重人身伤害的风险,请确保固定安全皮带扣的螺栓足够紧固。

重要:如需安装或更换安全带挂钩,只可使用工具提供的螺栓 9。确保牢牢紧固螺栓。

可以通过随附螺丝 9 将安全带挂钩 8 磁性钻头固定器 12 安装在工具的任何一侧,以便于惯用左手或右手的用户使用。如果无需挂钩或磁性钻头固定器,可将其从工具上拆除。

如需拆除皮带挂钩或磁性钻头固定器,请拆除用于固定的螺丝 9,然后在对面重新安装。确保牢牢紧固螺栓。

操作

使用说明

警告:务必遵守安全指示和适用法规。

警告:为降低严重的人身伤害风险,在进行任何调整或取出/安装附件或配件之前,请关闭工具并断开电池包连接。意外启动可能会导致人身伤害。

正确的双手放置位置 (图 A, C)

警告:为了减低严重人身伤害的风险,请务必如图示那样正确放置双手。

警告:为了减低造成严重人身伤害的风险,预期有突然反作用力时务必握紧。

正确的双手放置位置要求一手握住主手柄 10。

变速扳机开关 (图 A)

如需启动工具,请扣动扳机开关 1。如需关闭工具,请松开扳机开关。您的工具带有制动装置。当完全松开扳机开关,工具将停止运行。

变速开关让您能够以低速启动工具。越是用力扣动扳机开关,工具的转动速度就越快。如需让工具的使用寿命达到最长,请仅对起始孔或紧固件使用变速功能。

注意:不建议在不同档次的速度上持续使用本工具。这可能会损坏开关。应避免如此操作。

顺向/逆向控制按钮 (图 A)

顺向/逆向控制按钮 2 决定了工具的转动方向,同时也起到锁止按钮的作用。

如需选择顺向转动,请松开扳机开关 1,然后按下位于工具右侧的顺向/逆向控制按钮 2。

如需选择逆向转动,请松开扳机开关 1,然后按下位于工具左侧的顺向/逆向控制按钮 2。

控制按钮的中央位置会将工具锁定在关闭位置。在变更控制按钮位置时,请确保扳机开关处于松开状态。

注意:改变转动方向后,在首次运行工具时,您会在启动时听见咔嚓声。这是正常情况,并非出现问题。

工作灯 (图 A)

在 6.35 mm 六角卡盘 4 周围有三个工作灯 7。当扣下扳机,工作灯就会亮起。

当松开开关,工作灯会继续亮起 20 秒。

注意:工作灯是用于照亮眼前的工件表面,不可将其用作手电。

模式选择器 (图 A, D)

您的工具配有一个模式选择器 11,让您能够在三种模式中进行选择。根据应用场景选择相应模式,同时用变速扳机开关 1 控制工具转速。

精准起动 (图 D)

除了普通冲击模式,该工具还具有特色的“精准起动”模式,让您能够在轻型应用中获得更好的控制,避免损坏物料或紧固件。这非常适用于轻型应用场景,例如柜体较链螺丝或机械螺丝。“精准起动”模式让工具在轻型应用中起到螺丝刀的作用,在螺丝头到达工件之前先等待片刻,然后(如果需要)开始进行缓慢控制的冲击,以确保螺丝的头部与工件表面完全齐平。

注意:该模式适用于轻型螺丝紧固应用。如果工具无法在“精准起动”模式下拧动紧固件,请选择模式 2,让工具获得额外功率。

DCF850			
模式1	精准起动	rpm	0-1000
模式2	常规冲击	rpm	0-2800
模式3	高速冲击	rpm	0-3250

快速卡盘 (图 A, E, F)

警告:仅使用冲击附件。非冲击附件可能会受损,从而造成危险。使用前,先检查附件,确保套筒上没有裂痕。

注意: 卡盘仅与6.35 mm六角附件相匹配。

请将前进/后退按钮 **2** 置于锁定(中央)位置,或先拆除电池包,再更换附件。

如需安装附件,请将其插入到位。附件已被锁定到位(图E)。

如需拆除附件,请将卡盘套环 **3** 从工具的正面拉出。拆除附件(图F)。

使用

您的冲击工具会产生以下最大扭矩:

目录号	Nm
DCF850	205



小心: 请确保紧固件和/或系统能够耐受工具产生的扭矩水平。扭矩过大会导致损坏,还可能造成人身伤害。

1. 请将附件置于卡盘中。请让工具对准工件。
2. 按下开关,启动工具。松开开关,停止工具。务必用扭矩扳手检查扭矩,因为扭矩会受到包括以下因素在内的多个因素的影响:
 - 电压:由于电池电量即将耗尽而造成的低电压,这会降低紧固扭矩。
 - 套筒尺寸:如果未能使用尺寸合适的套筒,就会导致扭矩降低。
 - 螺母尺寸:螺母直径越大,一般就需要更高的紧固扭矩。紧固扭矩还会根据长度、等级和扭矩系数的变化而变化。
 - 螺母:请确保所有螺纹上均无锈蚀和其他污渍,从而能够实现适当的扭矩。
 - 材料:材料类型和材料表面的饰面效果会影响紧固扭矩。
 - 紧固时间:紧固时间越长,紧固扭矩越高。如果紧固时间长于建议的时间,这会导致紧固件过度承压、剥落或损坏。

维护

您的电动工具设计精良,可以长期使用,仅需极少维护。要持续获得令人满意的工作效果,需要进行合适的工具维护和定期清洁。



警告: 为降低严重的人身伤害风险,在进行任何调整或取出/安装附件或配件之前,请关闭工具并断开电池包连接。意外启动可能会导致人身伤害。

充电器和电池包无法维修。



润滑

本电动工具无需另行润滑。



清洁



警告: 一旦看到通风口及其周围积聚了尘屑,请用干燥的空气将灰尘和尘屑从主机外壳内吹出。执行此过程时,需戴上经认可的护目装备和防尘面具。



警告: 请勿使用溶剂或其它刺激性化学制品来清洁工具的非金属部件。这些化学物质可能会削弱这些部位使用的材料。请用布蘸温和的肥皂水擦拭。切勿让任何液体渗入工具,切勿让工具的任何部件浸在液体中。

可选配件



警告: 除了 DeWALT 提供的附件之外,其他附件都未经此产品兼容性测试,若将此类附件与本工具一起使用将存在安全隐患。为降低人身伤害风险,本产品只可使用 DeWALT 推荐的附件。

请向您的经销商咨询更多关于合适附件的信息。

保护环境



分类回收。由此符号标记的产品和电池不得与普通家庭垃圾一起处理。

产品和电池包含可恢复或回收的材料,从而降低对原材料的需求。请根据当地供给回收电子产品和电池。要获得更多信息,请参看 www.2helpU.com。

充电式电池包

本电池包使用寿命长,不能提供顺利完成工作所需的电力时,必须进行充电。电池技术寿命结束时,请妥善处理以保护环境:

- 耗尽电池包的电力,然后将其从工具上拆下。
- 锂离子电池是可回收的。请将它们送往您的经销商处或当地的回收站。回收的电池包将被妥善循环使用或处理。

售后服务和维修

DeWALT 服务中心有经过培训的专门人员,可向顾客提供高效、可靠的产品服务。如果您在未获授权的服务中心进行维修,我们将不会承担任何责任。您可以查看产品包装上“客服中心位置”宣传单页,通过热线电话、网站或社交媒体与我们联系,找到距离您最近的 DeWALT 服务中心。

制造商: 百得美国公司

地址: 701 E Joppa Rd, TW050 MD21286, Towson, 美国

产地: 江苏苏州

部件名称	有害物质					
	铅 (Pb)	汞 (Hg)	镉 (Cd)	六价铬 (Cr(VI))	多溴联苯 (PBB)	多溴二苯醚 (PBDE)
马达组件	○	○	○	○	○	○
机壳组件	○	○	○	○	○	○
控制部件(开关, PCB等)	X	○	○	○	○	○
传动部件	○	○	○	○	○	○
电池包	X	○	○	○	○	○
充电器	X	○	○	○	○	○
附件(钻头/砂轮机片等)	○	○	○	○	○	○
电线组件	X	○	○	○	○	○

本表格依据SJ/T 11364的规定编制。

○: 标识该有害物质在该部位所有均质材料中的含量均在GB/T 26572规定的限量要求以下。

X: 标识该有害物质至少在该部位的某一均质材料中的含量超出GB/T 26572规定的限量要求。

备注: 本产品不必包含以上所述的所有部件。由于生产工艺和技术的不可替代性, 本产品中含有某些有害物质, 在环保使用期限内可以放心使用, 超过环保使用期限之后则应进入回收循环系统。

环保使用期限为“电子电气产品中含有的有害物质不会发生外泄或突变, 电子电气产品用户正常使用该电子电气产品不会对环境造成严重污染或对其人身、财产造成严重损害的期限”。



: 环保使用期限为20年。此环保使用期限不代表产品的安全使用期限和质量保证年限。

無碳刷衝擊起子機

DCF850

恭喜!

感謝您選購DeWALT工具。憑藉多年的經驗、完善的產品開發與創新，DeWALT已成為專業電動工具使用者最可靠的合作夥伴之一。請注意！各地區上市產品/配件不盡相同，請依台灣繁體中文說明書的內容為主。

技術資料

		DCF850
電壓	V_{DC}	18(20 Max)
電池類型		鋰離子
功率輸出	W	475
空載轉速	rpm	
模式 1		0-1000
模式 2		0-2800
模式 3		0-3250
衝擊速率	ipm	0-3800
最大扭矩	Nm	205
夾頭尺寸	mm	6.35
重量(不含電池組)	kg	0.95

警告: 宣稱的振動和/或噪音釋放水準所代表的是工具主要應用所發出的振動和/或噪音。然而，如果將工具用於不同應用，搭配不同附件或保養不當，那麼振動和/或噪音的情況就會有所不同。這可能會在整個工作期間大幅提升振動和/或噪音的暴露水準。

當工具關閉或在空轉時，還應預估振動和/或噪音暴露水準。這可能會在整個工作期間大幅降低振動和/或噪音的暴露水準。

確認額外的安全措施，保護操作人員免受振動和/或噪音的影響，例如：保養工具和附件，保持雙手溫暖（與振動有關），工作形式的組織安排。



警告: 為了降低受傷的風險，必須仔細閱讀使用手冊。

定義: 安全指南

以下定義描述了每一個詞彙的嚴重程度。請閱讀本手冊並注意這些符號。



危險: 表示緊急危險狀況，若未能避免，將導致**死亡**或**嚴重傷害**。



警告: 表示潛在危險情況，若未能避免，可能導致**死亡**或**嚴重傷害**。



小心: 表示潛在危險情況，若未能避免，可能導致**輕微或中度傷害**。



注意: 表示一種**非人身傷害**的行為，若未能避免，可能導致**財產損失**。



表示**觸電危險**。



表示**火災危險**。

電池				充電器/充電時間(分鐘)				
目錄號	伏特 _{直流}	安時	重量(kg)	DCB107	DCB112	DCB115	DCB118	DCB1112
DCB606	18/54 (20/60 Max)	6.0/2.0	1.05	270	170	90	60	40
DCB609	18/54 (20/60 Max)	9.0/3.0	1.46	420	270	135*	75*	60
DDCB612	18/54 (20/60 Max)	12.0/4.0	1.44	540	350	180	120	80
DCB181	18 (20 Max)	1.5	0.35	70	45	22	22	22
DCB204	18 (20 Max)	4.0	0.61	185	120	60	60/40**	60/40**
DCB203	18 (20 Max)	2.0	0.40	90	60	30	30	30
DCB205	18 (20 Max)	5.0	0.62	240	150	75	75/50**	75/50**
DCB185	18 (20 Max)	1.3	0.35	60	40	22	22	22
DCB187	18 (20 Max)	3.0	0.54	140	90	45	45	45
DCB240	18 (20 Max)	4.0	0.54	185	120	60	60	60

*日期碼 201811475B 或以後

**日期碼 201536 或以後

20V Max為最大初始電壓(無負載電壓)，標稱電壓為18V。60V Max為最大初始電壓(無負載電壓)，標稱電壓為54V。

電動工具一般安全警告



警告！請閱讀安全警告及所有指示。不遵循下列的這些警告和指示可能會導致觸電、火災及/或嚴重傷害。

請保存所有警告與指示以備將來查閱。

以下列示所有警告中的術語「電動工具」是指電源驅動(插電)電動工具或電池驅動(充電)電動工具。

1) 工作場地安全

- 請保持工作場地清潔明亮。混亂或黑暗的場地會引發事故。
- 請勿在易爆環境，如有易燃液體、氣體或粉塵的環境中操作電動工具。電動工具產生的火花可能會引燃粉塵或煙霧。
- 請等待兒童和旁觀者離開之後才操縱電動工具。分心會導致您疏於控制。

2) 電氣安全

- 電動工具插頭必須與插座相符。切勿以任何方式改裝插頭。需接地的電動工具不能使用任何配接器插頭。使用未經改裝的插頭與相符的插座可降低觸電風險。
- 避免人體接觸接地表面，如管道、散熱片、爐灶和冰箱。若您的身體接地，會增加觸電的風險。
- 不得將電動工具暴露雨中或潮濕環境中。水進入電動工具會增加觸電風險。
- 切勿濫用電線。請勿使用電線來搬運、拉動電動工具或拔出插頭。讓電線遠離熱、油、銳邊和活動部件。受損或纏繞的電線會增加觸電危險。
- 若要在戶外使用電動工具，請使用適合戶外使用的延長電線。採用適合室外使用的電線可降低觸電危險。
- 若必須在潮濕環境中操作電動工具，請使用受漏電保護器(RCD)保護的電源供應器。使用RCD可降低觸電風險。

3) 人身安全

- 保持警覺；在操作電動工具時，請留意所執行的操作並按照一般的程式執行。請勿在疲倦或在受到毒品、酒精或藥品的影響時使用電動工具。操作電動工具時，一時的注意力分散可能會導致嚴重人身傷害。
- 使用個人防護裝置。始終佩戴護目裝置。防護設備(例如在適當條件下使用的防塵面具、防滑安全鞋、安全帽或聽力保護裝置)可減少人身傷害。
- 避免意外啟動。連接電源及/或電池組、舉抬或搬運電動工具之前，請確定開關處於關閉位置。若搬運電動工具時將手指放在開關上，或者在電動工具開關開啟時將插頭插入電源插座，這兩種行為都會引發事故。
- 啟動電動工具之前，請卸下所有的調整鑰匙或扳手。遺留在電動工具旋轉部件上的扳手或鑰匙會導致人身傷害。
- 不要過度伸張雙手。時刻注意腳下與身體的平衡。如此可在意外情況下更好地控制電動工具。
- 適當穿著。請勿穿寬鬆衣服或佩戴飾品。讓您的頭髮、衣服和手套遠離活動部件。寬鬆衣服、飾物或長髮可能會捲入活動部件中。
- 若配備用於連接排屑裝置、集塵設備的裝置，請確定正確連接和使用這些裝置。使用集塵設備可減少與粉塵有關的危險。
- 請勿因頻繁使用而對工具特別熟悉，讓你變得自滿而忽略工具的安全原則。粗心操作可以在片刻間造成嚴重傷害。

4) 電動工具的使用與注意事項

- 請勿超負荷使用電動工具。請根據您的應用使用正確的電動工具。若使用的電動工具正確無誤，該工具能以設計額定值更有效、更安全地執行工作。
- 若開關不能開啟或關閉電源，切勿使用該電動工具。若開關無法控制電動工具，則電動工具存在危險，必須予以維修。
- 在執行任何調整、更換配件或儲存工具之前，必須從電源上拔掉插頭及/或卸下電池組。此類防護性安全措施可降低電動工具意外啟動的風險。
- 將閒置的電動工具儲存在兒童無法接觸的地方，並且不要讓不熟悉電動工具或對這些使用指示不瞭解的人員操作電動工具。未經訓練的使用者操作電動工具會發生危險。
- 維護電動工具。檢查活動部件是否對準或卡住、是否存在任何破損情況，或任何可能影響電動工具運行的其他情況。若有損毀，必須在使用之前修理電動工具。許多事故都是由於電動工具欠缺維護所導致。
- 保持切割工具鋒利和清潔。妥善維護、刀刃鋒利的刀具卡住的可能性更低，更易於控制。
- 使用電動工具、配件和工具刀頭等時，請遵循這些指示使用，且指示須包含工作環境和所要執行工作的注意事項。若使用電動工具執行與設計用途不相符的操作，會導致危險。
- 手柄和抓握表面都應保持乾燥、清潔及遠離油脂。光滑手柄和抓握表面不便於在意外情況下對工具進行安全處理與控制。

5) 電池工具的使用與注意事項

- 只能使用製造廠商指定的充電器為電池充電。使用僅適合一種電池組的充電器為其他類型的電池組充電會導致火災危險。
- 請使用原廠的電動工具電池組。使用其他非原廠的電池組會導致人身傷害和火災危險。
- 不使用電池組時，請將其遠離如迴紋針、硬幣、鑰匙、釘子、螺絲以及其他可連通電池兩極的金屬物品。將電池兩極短路會導致灼傷或火災。
- 濫用電池的情況下，液體會從電池中噴出；避免與液體接觸。若不小心接觸液體，請用清水沖洗。若液體噴濺到眼睛上，沖洗之後還應進行治療。從電池噴出的液體會刺激皮膚或造成灼傷。
- 請勿使用已經損壞或改動的電池組或工具。損壞或改動的電池可能表現出不可預計的行為，導致火災、爆炸或傷害風險。
- 請勿讓電池組或工具暴露於火中或過高溫度的環境中。暴露於火中或溫度超過 130°C 的環境中可能導致爆炸。
- 請遵循所有充電說明，請勿在說明中規定的溫度範圍以外的環境對電池組或工具充電。不當或在指定範圍以外的溫度下充電，可能導致電池損壞並增加火災風險。

6) 檢修

- 本電動工具必須由合格的維修人員並只採用相同的原廠零件來執行檢修。這將確保電動工具的安全性。
- 切勿維修損毀的電池組。電池組的維修應僅由製造商或授權服務提供商執行。

面向衝擊扳手/起子的額外安全規則

- 當在切割附件有可能切割到暗線的场所進行操作時，只能通過絕緣握持面來握住電動工具。切割附件碰到一根帶電導線可能會使電動工具的外露金屬零件帶電，並讓操作者面臨電擊危險。

剩餘風險

即使應用有關的安全規定並採用安全設備，仍然還有一些無法避免的剩餘風險。危險包括：

- 聽力受損。
- 飛散的顆粒引起的人身傷害風險。
- 操作過程中配件變熱引起的灼傷風險。
- 長時間使用引起的人身傷害風險。

請保存這些安全指示

充電器

DeWALT 充電器無需調節，專為盡可能輕鬆使用而設計。

電氣安全

電動馬達只適用一種電壓。請務必檢查電池組電壓是否與銘牌一致，並且確保充電器的電壓與電源電壓一致。



DeWALT 充電器符合 IEC60335 雙重絕緣要求，因此無需使用接地線。

如果電源線受損，必須由 DeWALT 服務站提供的專門電線進行更換。

使用延長電纜

如非絕對必要，否則不要使用延長電纜。請使用與充電器的輸入功率相匹配的認可延長電纜（請參閱**技術資料**）。導體的最小橫截面尺寸為 1 平方公釐，最長為 30 米。

使用電纜捲筒時，每次必須把電纜完全展開。

所有電池充電器之重要安全指示

請妥善保管好這些說明：本手冊包含重要的相容電池充電器安全和使用電池組的產品上的警告標記。

- 在使用充電器之前，請先閱讀所有指示以及充電器、電池組和使用電池組的產品上的警告標記。



警告：觸電危險。切勿讓任何液體進入充電器，否則可能會導致觸電。



警告：建議使用漏電流額定值不超過 30mA 的漏電流保護裝置。



小心：燒傷危險。為了減低受傷風險，只可以使用 DeWALT 可充電電池。其他非原廠電池可能會爆裂，導致人身傷害和損壞。



小心：必須監督兒童，確保他們沒有耍玩具。

注意：在某些情況下，充電器連接到電源後，充電器內暴露的充電觸頭會被異物導致短路。導電的異物，包括但不限於鋼絲絨、鋁箔紙或任何由金屬粒子組成的物件，必須要遠離充電器範圍。充電器裡沒有電池組時，一定要拔掉充電器的電源。請先拔掉電源插頭後再清潔充電器。

- 請勿嘗試使用本手冊未提到的充電器為電池組充電。充電器和電池組是專為搭配使用而特別設計。
- 除了為 DeWALT 可充電電池充電之外，這些充電器不可以用於其他用途。否則可能會導致火災、觸電或觸電致死。
- 請勿將充電器暴露在雨或雪中。

- 中斷充電器的電源時，請拔除插頭而非拉扯電線。這樣會減低電源插頭和電線損壞的風險。
- 請確保電線的位置不會遭踐踏、令人絆倒或容易受到其他方式的損壞或受壓。
- 除非絕對需要，否則請勿使用延長電線。使用不適當的延長電線會引起火災、觸電或觸電致死。
- 請勿將任何物件放在充電器上面，或是把充電器放在可能會堵住通風槽的柔軟表面，導致充電器的內部過熱。請將充電器放到遠離熱源的位置。充電器透過外殼頂部及底部的槽散熱。
- 請勿操作電線或插頭損壞的充電器，請立即予以更換。
- 如果充電器受到重擊、墜落或出現其他損壞情況，請勿使用充電器，並應拿到授權維修中心修理。
- 請勿自行拆卸充電器。需要維護或修理時，請拿到授權維修中心。重新組裝不當可能會導致觸電、觸電致死或火災。
- 若電源線損毀，必須由製造商、服務代理或同等資質的人員立即更換以避免發生危險。
- 在清潔之前，請將充電器的插頭從電源插座上拔掉，這樣可以減低觸電風險。拆除電池組並不能夠降低這種風險。切勿試圖將 2 個充電器連接在一起。
- 充電器是為標準 110 伏特的家用電源而設計。請勿試圖使用其他電壓。本規定不適用於車載充電器。

為電池充電 (圖 B)

- 放入電池組前，先將充電器的插頭插入適當的插座。
- 將電池組 5 放進充電器，確保電池組已完全放入。紅燈 (充電中) 會不斷閃爍，這表示充電程序已經開始。
- 當紅燈持續亮起時，代表充電完成。此時，電池組的電力全滿，可以立即使用或是留在充電器裡。要從充電器上取下電池組，請按下電池組上的電池釋放按鈕 6。

注意：為了確保鋰離子電池組的效能及使用壽命最大化，在第一次使用電池組之前必須完全充電。

充電器操作

如需瞭解電池組的充電狀態，請參閱以下指示燈。

充電狀態指示燈

	充電中	
	已完全充電	
	電池組熱/冷延遲*	

*紅燈會繼續閃爍，但在執行此操作期間黃色指示燈將亮起。電池組達到適當溫度後，黃色指示燈將熄滅，充電器將恢復充電程序。相容的充電器不會為有故障的電池組充電。充電器會透過不亮燈來表示電池組故障。

相容的充電器不會為有故障的電池組充電。充電器會透過不亮燈來表示電池組故障。

注意：亦有可能是充電器發生故障。

如果充電器指示故障，請將充電器和電池組拿到授權維修中心進行測試。

電池組熱/冷延遲

若充電器偵測到電池組過熱或過冷，會自動啟動電池組熱/冷延遲，在電池組達到適合的溫度之前暫停充電。然後，充電器會自動轉換到電池組充電模式。此功能可確保電池組的使用壽命最大化。

冷電池組的充電速度大約是暖電池組的一半。在整個充電週期，電池組會以較慢的充電速度進行充電，即使電池組變暖，充電速度亦不會回復至最大充電速度。

DCB118 充電器配備專用於冷卻電池組的內部風扇。電池組需要冷卻時，風扇會自動啟動。如果風扇運轉不正常或通風槽堵塞，切勿操作充電器。請勿讓異物進入充電器內部。

電子保護系統

XR 鋰離子工具的設計具有電子保護系統，可保護電池組，避免過載、過熱或深度放電。

如果電子保護系統啟動，本工具會自動關閉。如果出現此情況，請將鋰離子電池組放回充電器直到電力全滿。

牆面安裝

這些充電器經過精心設計，可以安裝在牆面上或立在工作臺或工作表面上。若採用牆面安裝，請將充電器安裝在電源插座連接範圍內的位置，並遠離角落或可能阻礙空氣流動的障礙。將充電器的背面用作在牆面上確定安裝螺絲位置的型板。使用長度至少 25.4 公釐、螺頭直徑為 7–9 公釐的牆用螺絲（另售）牢固安裝充電器，旋進木料的最佳深度為螺絲大約有 5.5 公釐長度露在木料外。將露出的螺絲與充電器背面的槽對齊，並完全接合到槽中。

充電器清潔指示

警告：觸電危險。在清潔之前，請將充電器的插頭從電源插座上拔掉。 使用軟布或非金屬軟刷，去除充電器外部的污垢和油脂。切勿讓任何液體滲入工具，切勿讓工具的任何部件浸在液體中。

電池組

所有電池組之重要安全指示

在訂購更換電池組時，請務必附上目錄型號和電壓。

包裝箱內的電池組並未完全充電。使用電池組和充電器之前，請閱讀下列安全指示，然後遵循所述的充電程式。

請閱讀所有指示

- **不要在易爆環境，如有易燃液體、氣體或粉塵的環境中進行充電或使用電池組。** 將電池組放回充電器或從充電器中取出電池組可能會點燃粉塵或氣體。
- **切勿強行將電池組放回充電器。請勿以任何方式改裝電池組以在不相容的充電器中使用，否則電池組可能會破裂，導致嚴重人身傷害。**
- 請僅使用指定的 DeWALT 充電器為電池充電。
- 請勿將水分或其他液體飛濺到電池組或將電池組浸沒。
- 請勿在溫度可能達到或超過 40°C (104°F) 的地方（如夏天戶外的棚子或金屬建築物中）存儲或使用工具和電池組。
- **即使電池組已嚴重損毀或磨損，也請勿焚燒電池組。** 電池組可能會在火中爆炸。焚燒鋰離子電池組時會產生有毒氣體和物料。
- **若電池液體接觸到皮膚，請立即以中性肥皂與清水沖洗接觸範圍。** 若電池液體進入眼睛，請睜開眼睛，用清水沖洗 15 分鐘或直到不適感消失為止。如果需要接受治療，電池的電解質由液化有機碳酸鹽和鋰鹽構成。
- **開啟的電池中的物質可能會導致刺激呼吸道。** 請轉移至空氣流通處。如果症狀持續，請尋求醫療救助。

警告：灼燒危險。 電池液如遇到火花或火焰可能會引起燃燒。

警告：不論是因為任何理由，都不要嘗試打開電池。如果電池組的外殼破裂或損毀，請勿放回充電器。切勿撞擊、摔落

或損毀電池組。切勿使用受到重擊、墜落或出現其他損壞情況的電池組或充電器（例如釘子刺穿、以錘子敲打或踩踏）。否則可能會引起觸電或觸電致死。損毀的電池組應該送回維修中心進行回收。



警告：火災危險。請勿在儲存或搬運電池組時讓金屬物件接觸暴露的電池兩極。 例如，不要將電池組放在帶有鬆動的釘子、螺絲、鑰匙等的地方。



小心：不使用工具時，請將工具平放在沒有絆倒或跌落危險的穩定平面上。 一些配有大型電池組的工具可以直立但可能會輕易被撞倒。

運輸



警告：火災危險。 搬運電池組時若電池兩極意外接觸導電材料，運輸個別電池組時，請確保電池兩級受到保護並與可能接觸兩級並導致短路的材料隔絕。

注意：鋰離子電池不應放在託運行李中。

DeWALT 電池符合行業和法律標準（包括聯合國國際貨物運輸建議書、國際航空運輸協會 (IATA) 危險物品處理規則、國際海運危險物品 (IMDG) 處理規則以及國際公路運送危險物品歐洲協議 (ADR) 規定的所有適用運輸規章。鋰離子電池和電池組均已根據《聯合國危險貨物運輸建議書測試與標準手冊》第 38.3 節的規定進行測試。

大多數情況下，不會將運輸 DeWALT 電池組分歸為完全管制的第 9 類危險品。一般只有在運輸中包含額定能量大於 100 瓦時 (Wh) 的鋰離子電池時，才會將其分歸為完全管制的第 9 類危險品。所有鋰離子電池外殼上均標註有瓦時等級。此外，由於規章的複雜性，DeWALT 不建議對鋰離子電池組單獨採用空運，不論其額定能量是多少瓦時，都是如此。若電池組的額定能量不超過 100 瓦時，可以同時空運工具與電池組（組合套件）。

無論運輸是否納入完全管制範圍內，運輸方均有責任諮詢瞭解針對包裝、標籤/標記及單據要求的最新規定。手冊本節資訊基於良好商譽原則提供，在編製文件時被視為準確無誤，但不提供任何明示或暗示的保證。買方負有確保其行為遵守適用法規的責任。

運輸 FLEXVOLT™ 電池

DeWALT FLEXVOLT™ 電池有兩種模式：**使用與運輸。**

使用模式：若 FLEXVOLT™ 電池單獨使用或在 DeWALT 18 伏特（最大 20 伏特）產品中使用時，將作為 18 伏特（最大 20 伏特）特電池運作。若 FLEXVOLT™ 電池在 54 伏特（最大 60 伏特）或 108 伏特（最大 120 伏特）（兩個 54 伏特（最大 60 伏特）電池）產品中使用，將作為 54 伏特（最大 60 伏特）電池運作。

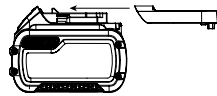
運輸模式：FLEXVOLT™ 電池附加護蓋時，電池將處於運輸模式。

若將電池組內的一連串電池中斷電

氣連接，會導致 3 個電池各自的瓦時 (Wh) 額定值低於 1 個電池的瓦時額定值。這樣電池數量雖然增加到 3 個，但瓦時額定值更低，因此能避開針對較高瓦時電池的運輸規章。

例如，若運輸瓦時額定值為

3 x 36 瓦時，表示運輸 3 個電池，每個電池的額定值為 36 瓦時。使用瓦時額定值可能為 108 瓦時（表示 1 個電池）。



使用和運輸的標籤範例

Use: 108 Wh
Transport: 3x36 Wh

儲存建議

1. 乾燥、涼爽、太陽不會直接照射、不會過熱或過冷的地方是電池組的最佳存放地點。為達到最大效能和使用壽命，不使用電池時請以室溫儲存電池組。

- 2 如需長期儲存，建議將電力全滿的電池組從充電器卸下，儲存於涼爽、乾燥處，使電池組效能達到最佳。

注意：電池組不應在電力耗盡的情況下儲存。在使用之前，電池組必須再次充電。

充電器和電池組上的標籤

除了本手冊的圖示之外，充電器及電池組上的標籤包含以下圖示：



使用前請閱讀使用手冊。



充電時間請見**技術資料**。



切勿插入導體。



切勿為損毀的電池組充電。



切勿暴露在水中。



立即更換損壞的電線。



只在溫度介於 4°C 至 40°C 之間充電。



僅供室內使用



棄置電池組時要顧及環保。

LI-ION



只使用指定的 DeWALT 充電器為 DeWALT 電池組充電。使用 DeWALT 充電器對指定的 DeWALT 電池以外的電池組充電會爆裂或導致其他危險情形。



切勿焚化電池組。



使用（無運輸電池蓋）。範例：瓦時額定值為 108 瓦時（具有 108 瓦時的 1 個電池）。



運輸（有內建運輸電池蓋）。範例：瓦時額定值為 3 x 36 瓦時（具有 36 瓦時的 3 個電池）。

電池類型

DCF850 的運行需要一個 18 伏電池組。

這些電池組可用於：DCB181, DCB182, DCB183, DCB183B, DCB184, DCB184B, DCB185, DCB187, DCB189, DCB203, DCB204, DCB205, DCB240。更多資訊請見**技術資料**。

套裝內的物件

本套裝包括：

- 1 個無刷衝擊起子
- 1 個充電器
- 1 鋰電池組 (C1, D1, L1, M1, P1, S1, T1, X1, Y1 型號)
- 2 鋰電池組 (C2, D2, L2, M2, P2, S2, T2, X2, Y2 型號)

- 3 鋰電池組 (C3, D3, L3, M3, P3, S3, T3, X3, Y3 型號)

- 1 個磁性鑽頭固定器
- 1 皮帶鉤
- 1 個工具箱
- 1 使用手冊

- 1 Tool Connect™ 應用程序說明手冊 (8 型號)

注意：N 型號不包含電池組、充電器和工具箱。

- 檢查集塵器、部件或附件是否在運輸過程中損壞。
- 操作前，請抽空仔細閱讀並掌握本手冊。

工具上的標誌

工具上會附帶下列圖示：



使用前請閱讀使用手冊。



肉眼可見的輻射。請勿直視光照。

日期代碼位置 (圖 B)

日期代碼 **14** 包括製造年份，已經印刷在工具外殼上。

範例：

2021 XX XX

製造年份

說明 (圖 A)



警告：請勿改動本電動工具或其任何部件，否則可能導致損壞或人身傷害。

- | | |
|----------------|--------------|
| 1 扳機開關 | 7 工作燈 |
| 2 變速扳機開關 | 8 皮帶鉤 (可選配件) |
| 3 卡盤套環 | 9 安裝螺絲 |
| 4 6.35 mm 六角接頭 | 10 主手柄 |
| 5 電池釋放按鈕 | 11 模式選擇器 |
| 6 電池組 | 12 磁性鑽頭固定器 |

設計用途

該衝擊起子被設計用於衝擊緊固螺絲的專業用途。它所具備的衝擊功能讓該工具在向木材、金屬和混凝土中旋入緊固件時發揮重要作用。

請勿在潮濕有水或存在易燃液體或氣體的環境下使用。

本衝擊起子是專業電動工具。

請勿讓兒童接觸此工具。缺乏經驗的操作人員需要在監督下使用本工具。

- **幼童和體弱者。**幼童和體弱者不適合在無監督下使用本工具。
- 體力、感覺或智力不足，以及缺乏經驗、知識或技能的人員（包括兒童）不適合使用本產品，除非一旁有能為他們安全負責的監督人員。請勿讓兒童單獨接觸本工具。

裝配與調整



警告：為了減低造成嚴重人身傷害的風險，在進行任何調整或取出/安裝附件或配件之前，請關閉裝置。意外啟動工具可能會造成傷害。



警告：請僅使用 DeWALT 電池組與充電器。

插入或取出工具上的電池組 (圖 B)

注意: 請確保您的電池組 6 完全充電。

將電池組安裝到工具手柄中

1. 將電池組 6 對齊工具手柄內的軌道 (圖 B)。
2. 將電池組滑入手柄內, 使其牢牢地固定在工具內, 並確保您聽到其鎖定到位的聲音。

從工具中取出電池組

1. 按下釋放按鈕 5 將電池組從工具握柄中穩妥地拉出。
2. 按本手冊充電器部分所述將電池組插入充電器中。

電池組電量計 (圖 B)

一些 DeWALT 電池組帶有一個包含三個綠色 LED 指示燈的電量計, 用於指示電池組內的剩餘電量。

按下電量計按鈕不鬆開, 即可啟動電量計 13。三個綠色 LED 指示燈將以組合方式亮起, 以指示剩餘電量。當電池內的電量低於可用限制時, 電量計將不會亮起, 電池將需要重新充電。

注意: 電量計僅指示電池組的剩餘電量。它並不表示該工具的功能, 且將根據產品組件、溫度和最終用戶的使用情況而有所不同。

皮帶鉤和磁性鑽頭固定器 (圖 A)

警告: 為降低嚴重的人身傷害風險, 在進行任何調整或取出/安裝附件或配件之前, 請關閉工具並斷開電池組連接。

警告: 為降低嚴重人身傷害的風險, 請勿將工具懸掛於頭頂上方或將物體懸掛在皮帶鉤上。只可將工具的皮帶鉤掛在工作安全帶上。

警告: 為降低嚴重人員受傷的風險, 請確保固定皮帶鉤的螺絲足夠緊固。

重要: 如需安裝或更換皮帶鉤, 只可使用工具提供的螺絲 9。確保牢牢緊固螺絲。

只可用隨附螺絲 9 將皮帶鉤 8 和磁性鑽頭固定器 12 安裝到工具的任何一側, 以便慣用左手或慣用右手的用戶使用。如果無需掛鉤, 可將其從工具上拆除。

如需拆除皮帶掛鉤, 請拆除固定皮帶掛鉤的螺絲 9, 然後在對面重新安裝。確保牢牢緊固螺絲。

操作

使用說明

警告: 務必遵守安全指示和適用的規則。

警告: 若要降低嚴重人身傷害的風險, 請在運輸、進行調整、清潔、維修或卸下/安裝附件或配件之前, 關閉工具並取出電池組或電源供應器。意外啟動工具可能會造成傷害。

正確的雙手放置位置 (圖 A, C)

警告: 為降低遭受嚴重人身傷害的風險, 務必如圖示那樣正確放置雙手。

警告: 為了減低造成嚴重人身傷害的風險, 預期有突然反應時務必握緊。

正確的手部位置要求一隻手握住主手柄 10。

變速扳機開關 (圖 A)

如需啟動工具, 請扣動扳機開關 1。如需關閉工具電源, 請鬆開扳機開關。您的工具帶有制動機制。當完全鬆開扳機開關, 工具將停止運行。

變速開關讓您能夠以低速啟動工具。越是用力扣動扳機開關, 工具的轉動速度就越快。為最大限度延長工具的使用壽命, 僅對起始孔或緊固件使用變速。

注意: 不建議持續在變速範圍內使用工具。這可能會損壞扳機開關, 應注意避免。

正向/反向控制按鈕 (圖 A)

正向/反向控制按鈕 2 決定了鑽頭轉向, 同時也起到鎖止按鈕的作用。

如需選擇正向轉動, 請鬆開扳機開關 1, 然後按下工具右側的正向/反向控制按鈕 2。

如需選擇反向轉動, 請鬆開扳機開關 1, 然後按下工具左側的正向/反向控制按鈕 2。正向/反向控制按鈕的中央位置會將工具鎖定在關閉位置。在變換控制按鈕的位置時, 請確保已鬆開扳機。

注意: 在更換轉向後首次運行工具時, 您會在工具啟動時聽見咔嚓聲。這是正常情況, 並非出現問題。

工作燈 (圖 A)

在 6.35 mm 六角卡盤 4 周圍有三個工作燈 7。當您按下扳機開關, 工作燈就會亮起。

當按下扳機開關, 作業燈亮起, 而且會在鬆開開關後, 繼續亮起幾 20 秒鐘。

注意: 作業燈用於照亮眼前的作業表面, 不可將其用作手電。

模式選擇器 (圖 A, D)

您的工具帶有模式選擇器 11, 讓您能夠在三種模式中進行選擇。請根據應用場景選擇相應模式, 用變速扳機開關 1 控制工具的運行速度。

精準啟動 (圖 D)

除了普通衝擊模式, 該工具還具有特色的“精準啟動”模式, 讓您能夠在輕型應用中獲得更好的控制, 避免損壞物料或緊固件。這非常適用於輕型應用場景, 例如櫃體鉸鏈螺絲或機械螺絲。“精準啟動”模式讓工具在輕型應用中起到螺絲刀的作用, 在螺絲頭到達工件之前先等待片刻, 然後 (如果需要) 開始進行緩慢控制的衝擊, 以確保螺絲的頭部與工件表面完全齊平。

注意: 該模式適用於輕型螺絲緊固應用。如果工具無法在“精準啟動”模式下擰動緊固件, 請選擇模式 2, 讓工具獲得額外功率。

DCF850			
模式 1	精準啟動	rpm	0–1000
模式 2	常規衝擊	rpm	0–2800
模式 3	高速衝擊	rpm	0–3250

快速卡盤 (圖 A, E, F)

警告: 僅使用衝擊附件。非衝擊附件可能會受損, 從而造成危險。使用前, 先檢查附件, 確保套筒上沒有裂痕。

注意: 卡盤僅與 6.35 mm 六角附件相匹配。

請將正向/反向控制按鈕 2 置於鎖定 (中央) 位置, 或先拆除電池組, 再更換附件。

如需安裝附件, 請將其插入到位。附件已被鎖定到位 (圖 E)。

如需拆除附件, 請將卡盤套環 3 從工具的正面拉出。

拆除附件 (圖 F)。

使用

您的衝擊工具會產生以下最大扭力：

目錄號	Nm
DCF850	205



小心：請確保緊固件和/或系統能夠承受工具產生的扭力水準。扭力過大會導致損壞，還可能造成人身傷害。

- 請將附件置於卡盤中。請讓工具對準工件。
- 按下開關，啟動工具。鬆開開關，停止工具。務必用扭力扳手檢查扭力，因為扭力會受到包括以下因素在內的多個因素的影響：
 - 電壓：由於電池電量即將耗盡而造成的低電壓，這會降低緊固扭力。
 - 套筒尺寸：如果未能使用尺寸合適的套筒，就會導致扭力降低。
 - 螺母尺寸：螺母直徑越大，一般就需要更高的緊固扭力。緊固扭力還會根據長度、等級和扭力係數的變化而變化。
 - 螺母：請確保所有螺紋上均無銹蝕和其他污漬，從而能夠實現適當的扭力。
 - 材料：材料類型和材料表面的飾面效果會影響緊固扭力。
 - 緊固時間：緊固時間越長，緊固扭力越高。如果緊固時間長於建議的時間，這會導致緊固件過度承壓、剝落或損壞。

維護

DeWALT 電動工具採用卓越的設計，能夠長時間使用，並且只需最少的維護。如需持續獲得滿意的操作效果，應進行正確的工具維護和定期的清潔。



警告：為了減低造成嚴重人身傷害的風險，在進行任何調整或卸下或安裝附件或配件之前，切記關掉工具的電源並取出電池組。意外啟動工具可能會造成傷害。

充電器和電池組是不可檢修的裝置。



潤滑

本電動工具毋需額外潤滑。



清潔



警告：一旦通風口及其周圍積聚可見的粉塵，請立即使用乾燥的壓縮空氣吹掉主機外殼內的粉塵和灰塵。執行此步驟時，請佩戴經認可的護目裝備和防塵面罩。



警告：切勿使用溶劑或其他刺激性化學品來清潔工具的非金屬部件。這些化學品可能會削弱部件中使用的材料。只能使用抹布蘸中性肥皂水進行清潔。不要讓任何液體進入工具；不要讓工具的任何部分浸入液體中。

選購配件



警告：由於非DeWALT所提供的配件未在本產品上進行過使用測試，在本產品上使用這些配件可能發生危險。為降低傷害危險，在本產品上只應使用DeWALT所推薦的配件。

如需進一步瞭解適用配件的相關資訊，請洽詢當地代理商。

除塵系統 (圖 I)

建議使用除塵系統以減少有害健康的粉塵並延長工具和附件的使用壽命。

請向您的經銷商諮詢更多關於合適的除塵系統的資訊。

保護環境



分類回收。帶有此標誌的產品和電池必須與一般家庭廢物分開處置。

產品和電池組合可重複使用或回收的材料，可降低對原材料的需求。請根據當地法規回收電氣產品和電池。更多資訊，請造訪 www.2helpU.com。

可充電電池組

本電池組使用壽命長，若無法為以前輕鬆完成的工作提供充足電力，必須更換電池組。在使用壽命結束時，請妥善處置以保護我們的環境：

- 使電池完全放電，然後將它從工具中卸下。
- 鋰離子電池是可回收的。請將它們送往您的代理商或當地的回收站。所收集的電池組將會再循環利用或妥善處置。

售後服務和維修

DeWALT 服務中心有經過培訓的專門人員，可向顧客提供高效、可靠的產品服務。如果您在未獲授權的服務中心進行維修，我們將不會承擔任何責任。您可以致電台灣授權維修中心 **02-29994633**。

進口商：新加坡商百得電動工具(股)公司台灣分公司

地址：台北市士林區德行西路33號2樓

電話：02-28341741

總經銷商：永安實業股份有限公司

地址：地址：新北市三重區新北大道二段137號

電話：電話：02-29994633

충전 브러쉬리스 컴팩트 임팩 드라이버

DCF850

축하합니다!

DeWALT 공구를 선택해 주셔서 감사합니다. DeWALT는 오랜 경험을 토대로 한 제품 개발 및 혁신을 통해 전문 사용자들이 가장 인정하는 기업으로 자리잡아왔습니다

기술 데이터

		DCF850
전압	V _{DC}	18(20 Max)
배터리 유형		Li-Ion
전원 출력	W	475
무부하 속도	rpm	
모드 1		0-1000
모드 2		0-2800
모드 3		0-3250
분당 타격수	ipm	0-3800
최대 토크	Nm	205
공구 홀더	mm	6.35
무게(배터리 팩 제외)	kg	0.95

! **경고:** 제시 된 진동 및 / 또는 소음 방출 수준은 공구의 주요 응용 분야를 나타냅니다. 그러나 공구가 다른 용도, 다른 액세서리와 함께 사용되거나 제대로 관리되지 않으면 진동 및 / 또는 소음 방출이 다를 수 있습니다. 이것은 전체 작업 기간 동안 노출 수준을 크게 증가시킬 수 있습니다.

진동 및 / 또는 소음에 대한 노출 수준을 평가할 때는 공구가 꺼져 있거나 작동 중이지만 실제로는 작업을 수행하지 않는 시간도 고려해야 합니다. 이것은 전체 작업 기간 동안 노출 수준을 현저히 감소시킬 수 있습니다.

다음과 같은 진동 및 / 또는 소음의 영향으로부터 작업자를 보호하기 위한 추가 안전 조치를 식별합니다. 예를 들면: 공구 및 액세서리 유지관리, 손을 따뜻하게 유지(진동 관련), 작업 패턴 구성.



경고: 부상 위험을 줄이려면 사용 설명서를 읽으십시오.

정의: 안전 지침

다음 정의는 각 경고 문구의 심각도를 설명합니다. 사용 설명서를 읽고 다음 기호들에 유의하십시오.



위험: 절박한 위험 상태를 나타내며, **방지하지 않으면, 사망 또는 심각한 부상을 초래합니다.**



경고: 잠재적 위험 상태를 나타내며, **방지하지 않으면 사망 또는 심각한 부상을 초래할 수 있습니다.**



주의: 잠재적으로 위험한 상태를 나타내며, **방지하지 않으면 경미하거나 가벼운 부상을 초래할 수 있습니다.**

참고: 신체 부상을 초래하지 않는 행위를 나타내며 **방지하지 않으면 재산상의 손해가 발생할 수 있습니다.**



감전 위험을 나타냅니다.



화재 위험을 나타냅니다

배터리				충전기/충전 시간 (분)								
카탈로그 번호	V _{DC}	Ah	중량 (kg)	DCB104	DCB107	DCB112	DCB115	DCB117	DCB118	DCB132	DCB1112	
DCB546/DCB606	18/54 (20/60 Max)	6.0/2.0	1.05	60	270	170	90	40	60	90	40	
DCB547/DCB609	18/54 (20/60 Max)	9.0/3.0	1.46	75*	420	270	135*	60	75*	135*	60	
DCB548/DCB612	18/54 (20/60 Max)	12.0/4.0	1.44	120	540	350	180	80	120	180	80	
DCB181	18 (20 Max)	1.5	0.35	22	70	45	22	22	22	22	22	
DCB182/DCB204	18 (20 Max)	4.0	0.61	60/40**	185	120	60	60/40**	60/40**	60	60/40**	
DCB183/DCB203	18 (20 Max)	2.0	0.40	30	90	60	30	30	30	30	30	
DCB184/DCB205	18 (20 Max)	5.0	0.62	75/50**	240	150	75	75/50**	75/50**	75	75/50**	
DCB185	18 (20 Max)	1.3	0.35	22	60	40	22	22	22	22	22	
DCB187	18 (20 Max)	3.0	0.54	45	140	90	45	45	45	45	45	
DCB189/DCB240	18 (20 Max)	4.0	0.54	60	185	120	60	60	60	60	60	
DCB186	18 (20 Max)	6.0	0.95	60	270	170	90	60	60	90	60	

*날짜 코드 2018114758 또는 그 이후

**날짜 코드 201536 또는 그 이후

전동 공구에 관한 일반 안전 경고



경고: 이 전동 공구와 함께 제공되는 모든 안전 경고와 지시사항, 설명 및 사양을 읽으십시오. 아래 설명한 모든 지시 사항을 따르지 않으면 감전, 화재 및/또는 심각한 부상을 초래할 수 있습니다.

항후 참고할 수 있도록 모든 경고 및 지시 사항을 보관해두십시오.

경고에서 사용된 "전동 공구"라는 용어는 주 공급 전원에 의해 전기가 공급되는(유선) 전동 공구 또는 충전식(무선) 전동 공구를 의미합니다.

1) 작업장 안전

- 작업장을 항상 청결하고 밝게 유지하십시오. 혼잡하거나 어두운 작업장에서는 사고가 발생하기 쉽습니다.
- 가연성 액체, 가스 또는 먼지 등이 있는 폭발성 대기에서 전동 공구를 사용하지 마십시오. 전동 공구에서 먼지나 가스를 발사시킬 수 있는 불꽃이 될 수 있습니다.
- 전동 공구로 작업하는 동안에는 어린이와 주변 사람들이 작업 영역에 가까이 들어오지 못하도록 하십시오. 주변이 산만해져 통제력을 잃을 수 있습니다.

2) 전기 안전

- 동공구의 플러그는 콘센트와 형식이 일치해야 하며, 플러그를 어떤 형태로든 개조하지 마십시오. 또한 접지된 전동공구에 다른 어댑터 플러그를 사용하지 마십시오. 개조되지 않은 플러그 및 형식이 일치하는 콘센트를 사용하면 감전 위험이 줄어듭니다.
- 파이프 관, 라디에이터, 렌지, 냉장고 등의 접지 표면에 물이 닿지 않도록 하십시오. 몸에 닿을 경우 감전이 될 위험이 높아집니다.
- 전동 공구를 비 또는 습한 환경에 노출하지 않도록 주의하십시오. 전동 공구에 물이 들어가면 감전 위험이 높아집니다.
- 코드를 함부로 다루지 마십시오. 코드를 사용하여 전동공구를 운반하거나, 코드를 과도하게 잡아당겨서 플러그를 뽑지 않도록 주의하십시오. 전열코드가 열기 또는 오일과 접촉되는 것을 피하고, 날카로운 모서리 또는 기기의 기둥 부위에 닿지 않도록 주의 하십시오. 코드가 손상되거나 얽혀 있으면 감전 위험이 높아집니다.
- 전동 공구를 실외에서 사용할 때는 실외 사용에 적합한 연장 코드를 사용하십시오. 실외 사용에 적합한 코드를 사용하면 감전 위험이 줄어듭니다.
- 전동공구를 습한 공간에서 사용할 경우, 반드시 누전 차단기를 사용하십시오. 누전 차단기(RCD)를 사용하면 감전의 위험이 줄어듭니다. RCD를 사용하면 감전 위험이 줄어듭니다.

3) 신체 안전 사항

- 전동 공구로 작업할 때는 방심하지 말고 작업에 주의하면서 상식에 따르십시오. 피곤한 상태이거나 약물, 술, 치료제를 복용한 상태에서는 전동 공구를 사용하지 마십시오. 전동 공구를 사용하다 잠깐만 한 눈을 팔아도 심각한 부상을 당할 수 있습니다.
- 신체 보호 장비를 착용하십시오. 항상 보안경을 착용하십시오. 적합한 상황에서 방진 마스크, 미끄럼 방지 안전화, 안전모 또는 청력 보호 기구 등의 보호 장비를 사용하면 신체 부상 위험이 줄어듭니다.
- 의도하지 않은 장비 가동 방지. 전원 및/또는 배터리 팩에 연결한 상태로 공구를 선택 또는 운반할 때는 사전에

스위치가 꺼짐 위치에 있는지 반드시 확인하십시오.

스위치가 켜짐 위치에 있는 상태에서 스위치에 손가락이 닿은 상태로 전동 공구를 운반하거나 전동 공구에 전원을 공급하면 사고가 발생합니다.

- 전동 공구를 켜기 전에 모든 조정 키 또는 렌치를 제거하십시오. 전동 공구의 회전 부품에 렌치나 키가 부착되어 있으면 부상을 당할 수 있습니다.
- 공구에게 팔을 뻗지 마십시오. 항상 올바른 자세로 서서 균형을 유지하십시오. 안정된 자세로 작업을 할 경우 전동 공구를 안전하게 사용할 수 있습니다.
- 절한 의복을 착용하십시오. 헐렁한 옷이나 장신구를 착용하지 마십시오. 머리카락과 옷이 움직이는 부품에 닿지 않도록 주의하십시오. 헐렁한 옷, 장신구 또는 긴 머리카락이 움직이는 부품에 걸 수 있습니다.
- 먼지 배출 및 집진 시설 연결을 위한 장치가 제공된 경우, 이를 장치가 연결되어 적절히 사용되고 있는지 반드시 확인하십시오. 집진 장치를 사용하면 먼지와 관련된 위험을 줄일 수 있습니다.
- 장치를 자주 사용함으로써 생긴 익숙함으로 인해 현실에 안주하거나 공구 안전 원칙을 무시하지 않도록 하십시오. 부주의한 작동은 순식간에 심각한 부상을 야기할 수 있습니다.

4) 전동 공구 사용 및 관리

- 전동 공구에 무리한 힘을 가하지 마십시오. 해당 용도에 맞는 올바른 전동 공구를 사용하십시오. 올바른 전동 공구를 사용해야 설계된 속도로 작업을 더욱 안전하고 정확하게 수행할 수 있습니다.
- 꺼지지 않거나 꺼지지 않는 경우 전동 공구를 사용하지 마십시오. 스위치로 제어되지 않는 전동 공구는 위험하므로 수리해야 합니다.
- 전동 공구를 조정하거나 액세서리를 변경하거나 보관하기 전에 전동 공구에서 분리되는 경우 전원에서 플러그를 뽑거나 또는 배터리 팩을 분리하십시오. 이러한 예방적 안전 조치를 따라야 전동 공구가 갑자기 작동할 위험이 줄어듭니다.
- 사용하지 않는 전동 공구는 어린이의 손이 닿지 않는 곳에 보관하고, 전동 공구나 본 지시 사항에 익숙하지 않은 사람이 전동 공구를 절대 사용하지 못하게 하십시오. 전동 공구는 훈련을 받지 않은 사용자가 다루면 위험합니다.
- 전동 공구 및 액세서리 유지 보수. 움직이는 부품의 잘못된 정렬이나 바인딩, 부품 파손 및 기타 전동 공구의 작동에 영향을 미칠 수 있는 기타 모든 상태를 확인하십시오. 손상된 부분이 있는 경우 사용하기 전에 전동 공구를 수리하십시오. 많은 사고는 전동 공구를 제대로 유지 보수하지 않아 발생합니다.
- 공구를 깨끗한 상태로 유지하십시오. 개장자리를 예리하게 잘 유지하면 공구를 사용할 때 바인딩이 적고 다루기가 용이합니다.
- 작업 환경과 수행할 작업을 고려하여, 본 지시 사항에 따라 전동 공구, 액세서리 및 톨 비트 등을 사용하십시오. 본 사용자 설명서의 내용과 다른 용도로 전동 공구를 사용하면 위험한 상황이 발생할 수 있습니다.
- 핸들과 잡는 표면은 건조하고 깨끗한 상태를 유지하고 오일/기름이 묻지 않도록 하십시오. 미끄러운 핸들과 잡는 면은 예기치 못한 상황에서 안전한 취급과 공구 관리를 보장하지 않습니다.

5) 배터리 공구 사용 및 주의 사항

- a) **다시 충전할 때는 제조업체에서 지정한 충전기만 사용하십시오.** 하나의 배터리 팩 유형에 적합한 충전기를 다른 배터리 팩과 함께 사용할 경우 화재의 위험이 있습니다.
- b) **전동 공구를 사용할 때는 구체적으로 지정되어 있는 배터리 팩만 사용하십시오.** 다른 배터리 팩을 사용하면 부상을 입거나 화재의 위험이 있습니다.
- c) **배터리 팩을 사용하지 않을 때에는 클림, 동전, 키, 못, 나사 등의 금속 물체나, 단자 간에 연결할 수 있는 작은 금속 물체가 닿지 않도록 멀리 두십시오.** 배터리 단자가 단락되면 화상을 입거나 화재의 위험이 있습니다.
- d) **배터리를 과다 사용하면 액체가 배터리에서 흘러 나올 수 있으므로, 접촉을 피하십시오.** 실수로 접촉한 경우에는 물로 씻으십시오. 액체가 눈에 들어간 경우 치료를 받으십시오. 배터리에서 나온 액체는 통증을 유발하거나 화상을 입힐 수 있습니다.
- e) **손상되거나 변경된 배터리 팩 또는 공구를 사용하지 마십시오.** 손상되거나 개조된 배터리는 예측할 수 없는 작용을 보여, 화재, 폭발 또는 부상 위험을 야기할 수 있습니다.
- f) **배터리 팩 또는 공구를 불이나 과도한 온도에 노출하지 마십시오.** 물 또는 130°C 이상의 온도에 노출되면 폭발할 수 있습니다.
- g) **모든 충전 지침을 따르고 배터리 팩 또는 공구를 설명서에 지정된 범위 밖의 온도에서 충전하지 마십시오.** 적절하지 않게 충전하거나 지정된 범위 밖의 온도에서 충전하면 배터리가 손상되어 화재 위험이 증가될 수 있습니다.

6) 정비

- a) **자격을 갖춘 기술자가 동일 교체 부품을 사용하여 정비 작업을 수행해야 합니다.** 그레야 전동 공구의 안전이 보장됩니다.
- b) **손상된 배터리 팩을 정비하지 마십시오.** 배터리 팩은 제조업체 또는 공인 서비스 공급업체를 통해서만 점검을 받아야 합니다.

임팩트 렌치 / 드라이버에 대한 추가 특정 안전 규칙

- **패스너가 숨겨진 배선과 접촉할 수 있는 작업을 수행할 때는 절연 된 그림 표면으로 전동 공구를 잡으십시오.** "전기가 통하는" 전선과 접촉하는 패스너는 전동 공구의 노출 된 금속 부분을 "통전시켜 작업자가 감전될 수 있습니다."

기타 발생 가능한 위험

관련된 안전 규정을 준수하고 안전 장치를 사용한다고 해도 특정한 위험은 피할 수 없습니다. 이러한 위험은 다음과 같습니다.

- 청력 손상
- 파편 날림으로 인한 신체 부상 위험
- 작업 중 뜨거워지는 액세서리로 인한 화상 위험
- 장시간 사용으로 인한 신체 부상의 위험

본 지침을 잘 보관해 두십시오.

충전기

DeWALT 충전기는 어떠한 조절 작업도 필요 없으며 최대한 작동하기 쉽게 설계되었습니다.

전기 안전

전기 모터는 한 가지 전압에만 맞추어 설계되었습니다. 배터리 팩 전압이 명판에 기재된 전압과 일치하는지 항상 확인하십시오. 또한 충전기의 전압이 주전원의 전압과도 일치하는지 확인하십시오.



DeWALT 충전기는 IEC60335 에 따라 이중 절연되어 있습니다. 따라서 접지선이 필요하지 않습니다.

전원 코드가 손상된 경우 DeWALT 서비스 조직에서 제공하는 특별히 준비된 코드로 교체해야 합니다.

장 케이블 이용

연장 코드는 가끔씩 사용하지 마십시오. 사용 중인 전원공급기 정격전원에 맞는 승인된 연장 코드를 사용하십시오 (**기술 데이터** 참조). 최소 도체 크기는 1mm², 최대 길이는 30m입니다. 케이블 릴을 사용할 때는 항상 케이블을 완전히 푸십시오.

모든 배터리 충전기에 대한 중요한 안전 지침

본 지침을 잘 보관해 두십시오. 본 사용 설명서에는 호환이 되는 배터리 충전기에 대한 중요한 안전 및 작업 지침이 포함되어 있습니다 (**기술 데이터** 참조).

- 충전기를 사용하기 전에 충전기, 배터리 팩, 그리고 배터리 팩 관련 제품에 대한 지침과 주의 표지를 숙지하십시오



경고: 감전 위험. 충전기 내부에 액체가 들어가지 않도록 하십시오. 감전될 수 있습니다.



경고: 정격 전류 전류가 30mA 미만인 누전 차단기를 사용하는 것이 좋습니다.



주의: 화상 위험. 신체 부상의 위험을 줄이려면 DeWALT 충전용 배터리로만 충전하십시오. 다른 유형의 배터리는 폭발로 인한 신체 부상과 손상을 초래할 수 있습니다.



주의: 어린이가 본 제품을 가지고 놀지 못하도록 항상 주시해야 합니다.

참고: 특정 조건에서, 충전기가 전원 공급기에 연결되어 있으면 충전기 내부에 노출된 충전 접점에 이물질에 의해 단락될 수 있습니다. 철부스러기, 알루미늄 호일, 금속 입자 축적물 등의 전도성 이물질은 충전기 캐비티에 닿지 않게 해야 합니다. 캐비티 안에 배터리 팩이 없을 경우 항상 배터리 전원 공급기에서 충전기의 플러그를 뽑으십시오. 충전기를 청소할 때는 플러그를 뽑아야 합니다.

- **본 사용 설명서에 명시된 충전기 외의 다른 충전기로 배터리 팩을 충전하지 마십시오.** 본 충전기와 배터리 팩은 함께 사용하도록 특수 설계되었습니다.
- **이러한 충전기는 DeWALT 충전용 배터리 충전 이외의 용도로는 사용할 수 없습니다.** 다른 용도로 사용하면 화재, 감전 또는 감전사고의 위험이 있습니다.
- **충전기가 비나 눈을 맞지 않도록 하십시오.**
- **충전기를 분리할 경우 코드가 아니라 플러그를 뽑으십시오.** 그레야만 전기 플러그 및 코드 손상의 위험이 줄어듭니다.
- **코드가 밟히거나 걸리거나 기타 원인에 의해 손상되거나 압박을 받지 않도록 유의하십시오.**
- **불가피한 경우가 아니면 연장 코드를 사용하지 마십시오.** 연장 코드를 잘못 사용하면 화재, 감전 또는 감전사의 위험이 있습니다.
- **충전기 위에 물건을 올려놓거나 부드러운 표면에 충전기를 두면 환기 슬롯이 막혀 내부가 과열될 수 있습니다.** 충전기는 열원에 가까이 두지 마십시오. 충전기는 하우징의 상단과 하단에 있는 슬롯을 통해 환기됩니다.

- **코드나 플러그가 손상된 충전기를 작동시키지 마십시오** — 즉시 교체하십시오.
- **심한 충격을 받았거나 떨어뜨렸거나 어떠한 식으로든 손상된 경우에는 충전기를 작동시키지 마십시오.** 공인 서비스 센터로 가져가십시오.
- **충전기를 분해하지 마십시오. 서비스나 수리가 필요한 경우에는 공인 서비스 센터로 가져가십시오.** 잘못 재조립하면 감전, 감전사 또는 화재의 위험이 있습니다.
- 전원 코드가 손상된 경우 사고 방지를 위해 제조업체, 서비스 대리점 또는 이에 준하는 유자격 수리 기술자를 통해 즉시 교체하십시오.
- **청소하려면 먼저 충전기를 콘센트에서 분리하십시오. 그래야 감전 위험이 줄어듭니다.** 배터리 팩을 제거하는 것만으로 이러한 위험이 줄어들지는 않습니다.
- **절대로** 충전기 두 개를 함께 연결하지 마십시오.
- **충전기는 가정용 표준 전력 220-240V 으로 작동하도록 설계되어 있습니다. 다른 전압에서는 사용하지 마십시오.** 차량용 충전기는 제외됩니다.

배터리 충전 (그림 B)

1. 배터리 팩을 끼우기 전에 충전기를 적절한 콘센트에 꽂습니다.
2. 충전기에 배터리 팩 **6** 을 끼우고 배터리 팩이 안박혀 장착되었는지 확인하십시오. 빨간색(충전 중) 표시등이 반박해서 깜박이면서 충전 프로세스가 시작되었음을 알립니다.
3. 충전이 완료되면 빨간색 불이 계속 켜져 있습니다. 배터리 팩이 완전히 충전되면 바로 사용하거나 충전기에 그대로 둡니다. 배터리 팩을 충전기에서 분리하려면, 배터리 팩에 있는 배터리 탈착 버튼 **5** 을 누릅니다.

참고: 리튬이온 배터리 팩의 성능과 수명을 극대화하려면 처음 사용하기 전에 배터리 팩을 완전히 충전시키십시오.

충전기 작동

배터리 팩의 충전 상태는 아래 표시등을 참조하십시오.

충전 표시등	
	충전 중
	완전 충전됨
	냉/온 팩 지연*

*빨간색 표시등이 계속 깜박거리지만, 노란색 표시등은 이 작동동안 계속 켜져 있습니다. 배터리 팩이 적정 온도에 도달하면, 노란색 표시등이 꺼지고 충전기에서 충전 절차를 다시 시작합니다.

이 호환 충전기는 결함이 있는 배터리 팩은 충전하지 못합니다. 등이 켜지지 않도록 하여 배터리에 결함이 있음을 표시합니다.

참고: 이는 충전기 고장을 의미할 수도 있습니다.

충전기에 문제가 표시되는 경우 충전기와 배터리 팩을 공인 서비스 센터로 가져 가서 테스트를 받아 보십시오.

냉/온 팩 지연

충전기에서 너무 뜨겁거나 차가운 배터리 팩이 감지되면, 냉/온 팩 지연이 자동으로 시작되어 배터리 팩이 적절한 온도가 될 때까지 충전이 중단됩니다. 이 과정이 끝나면 충전기가 자동으로 팩 충전 모드로 전환됩니다. 이 기능은 배터리 팩 수명을 최대한으로 보장하기 위한 것입니다.

차가운 배터리 팩은 따뜻한 배터리 팩보다 더 느린 속도로 충전됩니다. 충전 사이클 전체에 걸쳐 배터리 팩은 이렇게 느린

속도로 충전되며 배터리 팩이 따뜻해지더라도 최대 충전 속도로 복원되지 않습니다.

DCB118충전기에는 배터리 팩을 식히기 위해 설계된 내장 팬이 장착되어 있습니다. 배터리 팩을 식혀야 하면 팬이 자동으로 켜집니다. 팬이 제대로 작동하지 않거나 환기구가 막혀 있을 경우 충전기를 작동하지 마십시오. 이물질이 충전기 내부로 들어가지 않도록 하십시오.

전자 보호 시스템

XR 리튬이온 배터리 팩은 배터리에 과부하가 걸리거나 과열 또는 완전 방전되는 것을 방지하는 전자 보호 시스템으로 설계되었습니다. 이 공구는 전자 보호 시스템이 작동하면 자동으로 꺼집니다. 이러한 경우 리튬 이온 배터리가 완전히 충전될 때까지 충전기에 리튬 이온 배터리 팩을 넣으십시오.

벽 장착

이들 충전기는 테이블 또는 작업 표면에 똑바로 세우거나 벽에 장착할 수 있도록 설계되었습니다. 벽에 장착하는 경우, 충전기는 전기 콘센트에 닿을 수 있는 범위 내에 놓고, 공기 흐름이 방해될 수 있는 코너 또는 기타 장애물로부터 멀리 두십시오. 벽에서 장착 나사의 위치는 견본으로 충전기의 뒤쪽을 사용하십시오. 나사 머리 직경이 7-9mm인 최소 25.4mm 길이의 석고보드 나사(별도 구매)를 사용해서 충전기를 단단히 장착하고, 노출된 나사의 약 5.5mm를 남겨 두고 최적의 길이로 목재에 고정합니다. 충전기 뒤쪽의 구멍을 노출되어 있는 나사에 맞추고 구멍에 완전히 맞물리도록 하십시오.

충전기 청소 지침

- 경고: 감전 위험. 청소하려면 먼저 충전기를 AC 콘센트에서 분리하십시오.** 형광이나 부드러운 비금속성 브러시로 충전기 외관 부분에 묻은 먼지 및 기름을 제거할 수 있습니다. 물이나 세제제를 사용하지 마십시오. 공구 내부에 액체를 넣거나 공구 부품을 액체에 담그는 행동은 절대 금물입니다.

배터리 팩

모든 배터리 팩에 대한 중요한 안전 지침

배터리 팩을 교체하기 위해 주운할 때는 카탈로그 번호와 전압을 반드시 확인하고 표기해야 합니다.

배터리 팩은 포장박스에서 꺼낼 때 완전히 충전된 상태가 아닙니다. 배터리 팩과 충전기를 사용하기 전에 아래 안전 지침을 숙독하십시오. 그런 다음 설명된 충전 절차를 따르십시오.

모든 지시 사항을 읽으십시오

- **가연성 액체, 가스 또는 먼지 등 폭발 위험이 있는 환경에서 배터리를 충전하거나 사용하지 마십시오.** 배터리를 끼우거나 충전기에서 분리할 때 먼지나 가스에 불이 붙을 수 있습니다.
- **충전기에 배터리 팩을 끼울 때 과도한 힘을 주지 마십시오. 어떤 형태론든 호환되지 않는 충전기에 사용하기 위해 배터리 팩을 개조하지 마십시오. 배터리 팩이 파열되어 심각한 부상을 유발할 수 있습니다.**
- DeWALT 충전기에서만 배터리 팩을 충전하십시오.
- 물이나 기타 액체가 튀어 묻거나 액체에 빠지지 **않도록 하십시오.**
- 온도가 40°C (104°F)를 초과할 수 있는 장소(예 : 여름철 외부 창고 또는 금속 건물)에서 공구와 배터리 팩을 보관하거나 사용하지 마십시오.
- **배터리 팩이 심하게 손상되거나 완전히 낡았더라도 절대 소각하지 마십시오.** 배터리 팩은 불속에서 폭발할 수 있습니다.

리튬이온 배터리를 연소되면서 독성 연기와 물질을 발생시킵니다.

- **배터리 내용물이 피부에 닿으면 즉시 중성 세척제로 해당 부위를 씻으십시오.** 배터리액이 눈에 들어갔을 경우, 15분 정도 또는 통증이 가실 때까지 눈을 뜨고 물로 씻어냅니다. 치료가 필요한 경우를 위해, 배터리 전해질은 액체 유기 탄산염과 리튬염의 혼합물로 구성되어 있음을 알아 두십시오.
- **열린 배터리 셀의 내용물은 호흡을 할 수 있습니다.** 신선한 공기를 마시십시오. 증상이 계속되면 치료를 받으십시오.



경고: 화상 위험. 배터리액은 불꽃이나 화염에 노출되면 연소될 수 있습니다.



경고: 어떤 이유든 배터리 팩을 절대 분해하지 마십시오. 배터리 팩 케이스가 깨지거나 손상되면 충전기에 넣지 마십시오. 배터리 팩을 문개거나 떨어뜨리거나 손상시키지 마십시오. 강한 충격을 받았거나, 떨어뜨렸거나, 차에 치였거나 기타의 원인으로 어떤 방식으로든 손상된 (못이 박히거나 망치로 맞았거나 밟힘) 배터리 팩이나 충전기는 사용하지 마십시오. 감전 또는 감전사의 위험이 있습니다. 손상된 배터리 팩은 재활용을 위해 서비스 센터에 반환해야 합니다.



경고: 화재 위험. 배터리를 운반할 때 배터리 단자가 실수로 노출된 배터리 단자에 금속 물체가 닿지 않도록 하십시오. 예를 들어, 못, 나사, 키 등이 있는 앞치마, 주머니, 도구상자, 제품 키트 상자, 서랍 등에 배터리 팩을 두지 마십시오.



주의: 사용하지 않는 공구는 걸려 넘어지거나 떨어질 위험이 있습니다. 안전된 표면에 놓여 두십시오. 배터리 팩이 큰 일부 공구들은 배터리 팩 위에 바로 서 있지만 쉽게 넘어질 수 있습니다

운반



경고: 화재 위험. 배터리를 운반할 때 배터리 단자가 실수로 전도성 물질과 닿을 경우 화재 위험의 가능성이 있습니다. 배터리를 운반할 경우에는 배터리 단자가 보호되어 있고, 물체에 닿을 경우 단락을 일으킬 수 있는 물체로부터 제대로 절연되어 있는지 확인하십시오.

참고: 리튬이온 배터리는 검사된 수화물에 놓여야 합니다.

DeWALT 배터리는 UN 의 위험물 운송에 관한 권고(Recommendations on the Transport of Dangerous Goods, RTDG), 국제 항공 운송 협회(IATA) 의 위험물 규정, 국제해상위험물(International Maritime Dangerous Goods, IMDG) 규정 및 국제도로위험물물운송에 관한 유럽조약 (European Agreement Concerning The International Carriage of Dangerous Goods by Road (ADR))을 포함하여 산업 표준 및 법적 기준에 따라 해당되는 모든 운송 규정을 준수합니다. 리튬 이온 전지 및 배터리는 위험 화물 테스트 및 기준 설명서에 대한 UN 권고 38.3항에 따라 테스트되었습니다.

대개의 경우, DeWALT 배터리 팩 해상 운송은 완전 규제를 받는 Class 9 위험 물질로 분류되는 것에서 제외됩니다. 일반적으로, 에너지효율 등급이 100 와트시 (Wh) 보다 큰 리튬 이온 배터리를 포함하는 수송품만 완전 규제를 받는 Class 9 에 따라 운송되어야 합니다. 모든 리튬 이온 배터리에는 팩에 와트시 등급이 표시되어 있습니다. 뿐만 아니라, 규정의 복잡성으로 인해 DeWALT는 와트 시 등급에 상관 없이 리튬 이온 배터리 팩을 단독으로 항공 운송하는 것을 권장하지 않습니다. 배터리 팩의 와트시 등급이 100 Whr 보다 크지 않을 경우는 제외되므로 배터리(콤보 키트)가 포함된 공구의 수송품은 항공 운송할 수 있습니다.

수송품이 예외로 고려되든지 또는 완전 규제를 받든지 여부와 상관 없이, 포장, 라벨링/표시 및 문서 요건에 관한 최신 규정을 찾아보는 것은 운송 회사의 책임입니다.

설명서의 본 섹션에서 제공하는 정보는 옳다고 믿고 제공되며 문서가 작성되었던 시기에는 정확한 것으로 간주됩니다. 단, 보증은 명시적이거나 함축적으로 제공되지 않습니다. 활동 시 해당 규정을 준수하는 것은 구매자의 책임입니다

FLEXVOLT™ 배터리 운반

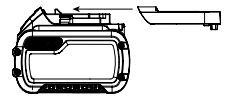
DeWALT FLEXVOLT™ 배터리에는 두 개의 모드, 즉 **사용** 및 **운반**이 있습니다.

사용 모드: FLEXVOLT 배터리는 18V (20V Max) 제품에 체결 할 경우 18V (20V Max) 전압으로 작동되며, 54V (60V Max) 제품에 체결 할 경우 54V (60V Max) 전압으로 작동이 됩니다.

또는 108V (120V Max) 제품에 플렉스볼트 배터리 2 개를 체결 할 경우 108V (120V Max) 전압으로 작동이 됩니다.

운반 모드: 캡이 FLEXVOLT™ 배터리에 장착되어 있으면, 배터리는 운반 모드에 있는 것입니다. 운송 시 캡을 유지하십시오.

운반 모드에 있을 때, 더 높은 와트시 등급의 배터리1개에 비해 더 낮은 와트시(Wh) 등급의 배터리 3 개가 되는 팩 내에서 일련의 셀은 전기 연결이 끊어져 있습니다. 와트시 등급이 더 낮은 이 증가된 배터리 3 개 수량은 더 높은 와트시 배터리에 부과되는 특정 수송 규정에서 팩을 면제시킬 수 있습니다.



예를 들어, 운반 Wh 정격은 3 x 36 Wh를 나타내며, 각 36 Wh 배터리 3 개를 의미합니다. 사용 Wh 정격은 108 Wh를 나타낼 수 있습니다(1개 배터리 포함).

사용 및 운반 라벨 표시의 예



보관 권장 사항

1. 보관 장소로는 직사광선을 받지 않고 지나치게 덥거나 춥지 않은 시원하고 건조한 곳이 가장 좋습니다. 최적의 배터리 성능과 수명을 위해, 사용하지 않을 때에는 배터리 팩을 실온에서 보관하십시오.
2. 장기간 보관하는 경우, 최적의 결과를 위해 완전히 충전된 배터리 팩을 충전기에서 분리하여 서늘하고, 건조한 장소에 보관하는 것이 좋습니다.

참고: 배터리 팩은 완전히 방전된 상태로 보관해서는 안됩니다. 사용 전에 배터리 팩을 재충전해야 합니다.

충전기 및 배터리 팩에 부착된 라벨

본 설명서에 사용된 그림 외에도 충전기 및 배터리 팩에 부착된 라벨에는 다음과 같은 그림이 표시되어 있습니다.



사용 전에 사용 설명서의 내용을 숙지하십시오.



충전 시간은 **기술 데이터**를 참조하십시오.



전도성 있는 물체로 시험하지 마십시오.





손상된 배터리 팩을 충전하지 마십시오.



물에 닿지 않도록 하십시오.



손상된 코드는 즉시 교체하십시오.



4 °C ~ 40 °C 사이에서만 충전하십시오.



실내 전용.



환경 보호 차원에서 배터리 팩을 폐기하십시오.

LI-ION



지정된 DeWALT 충전기¹로만 DeWALT 배터리 팩을 충전하십시오. DeWALT 충전기에 지정된 DeWALT 배터리 이외의 배터리 팩을 충전하면 폭발하여 다른 위험한 상황으로 이어질 수 있습니다.



배터리 팩을 소각하지 마십시오.



사용(운반 캡 미포함). 예: Wh 정격은 108 Wh 를 나타냅니다(108 Wh 배터리 1 개).



운반(내장 운반 캡 포함). 예: Wh 정격은 3 x 36 Wh (36 Wh 배터리 3 개)를 나타냅니다.

배터리 유형

본 제품은 20V MAX 배터리 팩에서 작동합니다.

본 제품은 다음의 배터리팩을 사용할 수 있습니다. DCB181, DCB182, DCB183, DCB183B, DCB184, DCB184B, DCB185, DCB187, DCB189, DCB203, DCB204, DCB205, DCB240, DCB546, DCB547, DCB548. 자세한 정보는 **기술 데이터**를 참조하십시오.

포장 내용물

포장에는 다음 내용이 들어 있습니다.

- 1 임팩트 드라이버
- 1 충전기
- 1 리튬 이온 배터리 팩(C1, D1, L1, M1, P1, S1, T1, X1, Y1 모델)
- 2 리튬 이온 배터리 팩 (C2, D2, L2, M2, P2, S2, T2, X2, Y2 모델)
- 3 리튬 이온 배터리 팩 (C3, D3, L3, M3, P3, S3, T3, X3, Y3 모델)
- 1 마그네틱 비트 홀더
- 1 벨트 후크
- 1 키트 박스
- 1 사용 설명서
- 1 Tool Connect™ 앱 사용 설명서 (B 모델)

참고: 배터리 팩, 충전기 및 키트 박스는 N 모델에 포함되어 있지 않습니다.

- 운반 중에 발생할 수 있는 공구, 부품 또는 액세서리의 손상 여부를 확인하십시오.
- 작동 전에 시간을 내어 본 사용 설명서를 읽고 숙지하십시오.

공구에 표시된 마크

공구에는 다음과 같은 그림이 있습니다.



사용 전에 사용 설명서의 내용을 숙지하십시오.



가시 광선, 빛을 응시하지 마십시오.

날짜 코드 위 치 (그림 B)

날짜 코드에는 **14**, 제조년도가 포함되며 이 제조년도는 케이스에 인쇄되어 있습니다.

예:

2021 XX XX

제조년도

설명 (그림 A)



경고: 전동 공구 또는 전동 공구의 어떤 부분도 절대 개조하지 마십시오. 제품이 파손되거나 신체 부상을 당할 수도 있습니다.

- | | |
|---------------------|-------------------|
| 1 트리거 스위치 | 7 작업 등 |
| 2 정 회전 / 역 회전 제어 버튼 | 8 벨트 후크 (옵션 액세서리) |
| 3 척 칼라 | 9 장착 나사 |
| 4 6.35 mm 육각 척 | 10 메인 핸들 |
| 5 배터리 해제 버튼 | 11 모드 선택기 |
| 6 배터리 팩 | 12 마그네틱 비트 홀더 |

용도

이 임팩트 드라이버는 전문 임팩트 스크류 드라이빙 응용 분야를 위해 설계되었습니다. 충격 기능으로 인해 이 공구는 목재, 금속 및 콘크리트에서 패스너를 구동하는 데 특히 유용합니다.

절대로 습한 환경이나 가연성 액체 또는 가스가 있는 곳에서 사용하지 마십시오.

이 임팩트 드라이버는 전문 전동 공구입니다.

어린이가 이 공구를 만지지 않도록 하십시오. 경험이 없는 작업자가 이 공구를 사용할 때는 감독자의 지도가 필요합니다.

- 어린이 및 노약자. 본 제품은 어린이나 노약자가 사용하도록 설계되지 않았습니다. 이러한 사람이 사용할 때는 감독이 필요합니다.
- 본 제품은 안전 책임을 맡고 있는 사람이 감독을 하고 있지 않는 한 경험, 지식 또는 기술이 부족하고 신체적, 감각적 또는 정신적 능력이 미약한 사람(어린이 포함)이 사용하도록 고안된 것이 아닙니다. 이 제품과 함께 어린이만 혼자 두어서는 안됩니다.

조립 및 조정



경고: 심각한 신체 부상의 위험을 줄이려면 공구를 정하거나 부착물 또는 액세서를 제거/설치하기 전에 공구를 끄고 배터리 팩을 분리하십시오. 공구가 갑자기 작동하여 부상을 당할 수 있습니다.



경고: DeWALT 배 터리 팩과 충전기만 사용하십시오.

배터리 팩 삽입 및 공구에서 배터리 팩 분리 (그림 B)

참고: 배터리 팩 ⑥ 이 완전히 충전되었는지 확인하십시오.

배터리 팩을 공구 핸들에 설치하려면

1. 공구 핸들 안쪽의 레일에 배터리 팩 ⑥ 을 맞춥니다 (그림 B).
2. 공구에 배터리 팩이 견고하게 장착될 때까지 핸들에 밀어 넣고 딸각하고 잠기는 소리가 들리는지 확인하십시오.

공구에서 배터리 팩을 분리하려면

1. 탈착 버튼 ⑤ 을 누르고 배터리 팩을 공구 핸들에서 완전히 빼냅니다.
2. 본 사용 설명서의 충전기 섹션에 설명된 대로 배터리 팩을 충전기에 삽입합니다.

진량표시계 배터리 팩 (그림 B)

일부 DeWALT 배터리 팩에는 배터리 팩의 남아 있는 충전 레벨을 표시하는 세 개의 녹색 LED 등으로 구성된 연료계가 포함되어 있습니다.

진량표시계를 작동시키려면, 진량표시계 버튼 ⑬ 을 누릅니다. 녹색 LED 표시등 3 개가 조합되어 켜짐으로써 충전 진량 수준을 나타냅니다. 배터리 진량이 사용 가능한 한계치 미만이면 배터리 진량 표시계가 켜지지 않으므로 배터리를 재충전해야 합니다.

참고: 진량표시계는 배터리 팩에 남아 있는 충전 레벨을 나타내는 것일 뿐입니다. 공구의 기능성을 나타내는 것이 아니며 제품 구성품, 온도 및 최종 사용자의 용도에 따라 변경될 수 있습니다.

벨트 후크 및 마그네틱 비트 홀더 (그림 A)

경고: 심각한 부상의 위험을 줄이려면 조정하거나 부착물 또는 액세서리를 제거 / 설치하기 전에 공구를 끄고 배터리 팩을 분리하십시오.

경고: 심각한 부상의 위험을 줄이려면 공구를 머리 위에 매달거나 벨트 후크에 물건을 매달 지 마십시오. 작업 벨트에서 공구의 벨트 후크 만 걸으십시오.

경고: 심각한 부상의 위험을 줄이려면 벨트 후크를 고정하는 나사가 단단히 고정되었는지 확인하십시오.

중요사항: 벨트 후크 또는 마그네틱 비트 홀더를 부착하거나 교체 할 때는 제공된 나사 ⑨ 만 사용하십시오. 나사를 단단히 조이십시오.

벨트 후크 ⑧ 와 마그네틱 비트 홀더 ⑫ 는 제공된 나사 ⑨ 만을 사용하여 공구의 양쪽에 부착되어 원손잡이 또는 오른 손잡이 사용자를 수용 할 수 있습니다. 후크 또는 마그네틱 비트 홀더가 전혀 필요하지 않은 경우 공구에서 제거할 수 있습니다.

벨트 후크 또는 마그네틱 비트 홀더를 이동하려면 고정하는 나사 ⑨ 를 제거한 다음 반대쪽에 다시 조립하십시오. 나사를 단단히 조이십시오.

조작

사용 지침

경고: 항상 안전 지시 사항과 해당 규정을 준수하십시오.

경고: 심각한 신체 부상의 위험을 줄이려면 공구를 정하거나 부착물 또는 액세서리를 제거/설치하기 전에 공구를 끄고 배터리 팩을 분리하십시오. 공구가 갑자기 동하여 부상을 당할 수 있습니다.

올바른 손의 위치 (그림 A, C)

경고: 심각한 신체 부상의 위험을 줄이려면 항상 그림과 같이 올바르게 손을 위치하십시오.

경고: 심각한 신체 부상의 위험을 줄이려면 항상 급작스러운 반동을 예상하고 확실하게 잡으십시오.

올바른 손 위치는 한 손으로 주 핸들 ⑩ 을 잡아야 합니다.

가변 속도 트리거 스위치 (그림 A)

공구를 켜려면 트리거 스위치 ① 을 누릅니다. 공구를 끄려면 트리거 스위치를 놓습니다. 공구에는 브레이크가 장착되어 있습니다. 트리거 스위치를 완전히 놓으면 힘이 멈춥니다.

가변 속도 스위치를 사용하면 공구를 느린 속도로 작동할 수 있습니다. 트리거 스위치를 더 많이 누를수록 공구가 더 빨리 작동합니다. 공구 수명을 최대화하려면 시작 구멍 또는 패스너에만 가변 속도를 사용하십시오.

참고: 가변 속도 범위에서 연속 사용은 권장하지 않습니다. 트리거 스위치가 손상될 수 있으므로 피해야 합니다.

정 회전 / 역 회전 제어 버튼 (그림 A)

정 회전 / 역 회전 제어 버튼 ② 은 공구의 작동 방향을 결정하고 잠금 해제 버튼으로도 사용됩니다.

정회전을 선택하려면, 트리거 스위치 ① 에서 손을 떼고 공구 오른쪽에 있는 정 회전 / 역 회전 제어 버튼 ② 을 누릅니다.

후진을 선택하려면 트리거 스위치 ① 을 놓고 공구 왼쪽에 있는 전진 / 후진 제어 버튼 ② 을 누릅니다. 제어 버튼의 중앙 위치는 공구를 꺼짐 위치에 고정합니다. 제어 버튼의 위치를 변경할 때 트리거를 놓아야 합니다.

참고: 회전 방향을 변경한 후 공구를 처음 실행하면 작동 시 클릭 소리가 들릴 수 있습니다. 이는 정상적인 현상이며 문제가 있는 것은 아닙니다.

작업 등 (그림 A)

6.35mm 육각 척 ④ 주위에는 3 개의 작업 등 ⑦ 이 있습니다. 작업등은 트리거 스위치를 눌렀을 때 활성화됩니다.

트리거를 놓으면 작업등이 최대 20 초 동안 켜집니다.

참고: 작업등은 바로 작업 표면을 비추기 위한 것이며 손전등으로 사용할 수 없습니다.

모드 선택기 (그림 A, D)

공구에는 세 가지 모드 중 하나를 선택할 수 있는 모드 선택기 ⑪ 이 장착되어 있습니다. 애플리케이션에 따라 모드를 선택하고 가변 속도 트리거 스위치 ① 을 사용하여 공구 속도를 제어합니다.

정밀 드라이브 (그림 D)

일반 충격 모드 외에도 이 공구는 재료 또는 패스너의 손상을 방지하기 위해 가벼운 응용 분야에서 더 큰 제어를 가능하게 하는 정밀 드라이브 모드를 특징으로 합니다. 캐비닛 힌지 나사 또는 기계 나사와 같은 가벼운 용도에 이상적입니다. 정밀 드라이브 모드는 가벼운 애플리케이션에서 스크루 드라이버로 작동하고, 나사 헤드와 공작물에 도달 할 때 주저하기 전에 (필요한 경우) 완전히 제어 된 충격을 시작하여 헤드 끝이 완벽하게 수평이 되도록 합니다.

참고: 이 모드는 경량 스크루 드라이빙 애플리케이션을 위한 것입니다. 공구가 정밀 모드에서 패스너를 구동하지 않는 경우 필요한 추가 전력을 제공하는 모드 2를 선택하십시오.

DCF850			
모드 1	정밀 드라이브	rpm	0-1000
모드 2	일반 임팩팅 모드	rpm	0-2800
모드 3	고속 임팩팅 모드	rpm	0-3250

퀵 릴리스 척 (그림 A, E, F)

! **경고:** 임팩트 액세서리 만 사용하십시오. 충격이 없는 액세서리는 파손되어 위험한 상태를 유발할 수 있습니다. 사용하기 전에 액세서리를 검사하여 균열이 없는지 확인하십시오.

참고: 척은 6.35mm 육각 액세서리 만 수용합니다.

전진 / 후진 버튼 **2**를 잠금 해제 (중앙) 위치에 놓거나 액세서리를 교체하기 전에 배터리 팩을 제거하십시오.

액세서리를 설치하려면 액세서리를 완전히 삽입하십시오. 액세서리가 제자리에 고정됩니다 (그림 E).

액세서리를 제거하려면 공구 앞쪽에서 척 칼라 **3**를 잡아 당깁니다. 액세서리를 제거합니다 (그림 F).

사용법

본 제품은 다음과 같은 최대 토크를 생성합니다.

카탈로그 번호	Nm
DCF850	205

! **주의:** 패스너 및 / 또는 시스템이 공구에서 생성 된 토크 수준을 견딜 수 있는지 확인하십시오. 과도한 토크는 파손 및 부상의 원인이 될 수 있습니다.

1. 패스너 헤드에 액세서리를 놓습니다. 공구가 패스너를 똑바로 향하도록 유지하십시오.
2. 작동을 시작하려면 스위치를 누르십시오. 작동을 중지하려면 스위치를 놓습니다. 고정 토크는 다음과 같은 여러 요인의 영향을 받으므로 항상 토크 렌치를 토크를 확인하십시오.
 - **전압:** 거의 방전 된 배터리로 인한 저전압은 체결 토크를 감소시킵니다.
 - **소켓 크기 :** 올바른 소켓 크기를 사용하지 않으면 체결 토크가 감소합니다.
 - **볼트 크기:** 볼트 직경이 클수록 일반적으로 더 높은 체결 토크가 필요합니다. 조임 토크는 길이, 등급 및 토크 계수에 따라 달라집니다.
 - **볼트:** 적절한 조임 토크를 위해 모든 나사산에 녹 및 기타 이물질이 없는지 확인하십시오.
 - **재료:** 재료의 유형과 재료의 표면 마감은 체결 토크에 영향을 미칩니다.
 - **체결 시간:** 체결 시간이 길수록 체결 토크가 증가합니다. 권장되는 것보다 더 긴 고정 시간을 사용하면 패스너에 과도한 응력이 가해 지거나 벗겨 지거나 손상 될 수 있습니다.

유지 보수

DeWALT 전동 공구는 최소한의 유지 보수로 장기간에 걸쳐 작업이 가능하도록 설계되어 있습니다. 만족스러운 연속 작동은 적절한 공구 관리와 정기적인 청소에 따라 그 성능이 달라질 수 있습니다.

! **경고:** 심각한 신체 부상의 위험을 줄이려면 공구를 정하거나 부품을 또는 액세서리를 제거/설치하기 전에 공구를 끄고 배터리 팩을 분리하십시오. 공구가 갑자기 작동하여 부상을 당할 수 있습니다.

충전기 및 배터리 팩은 수리할 수 없습니다.



윤활방법

전동 공구는 별도의 윤활 작업이 필요하지 않습니다.



청소

! **경고:** 통풍구 속이나 주변에 먼지가 쌓여있는 것이 보이면 가능한 한 자주 건조한 공기를 이용하여 메인 하우징에서 먼지를 불어내십시오. 이 절차를 수행할 때에는 승인된 눈 보호 장구 및 승인된 방진 마스크를 착용하십시오.

! **경고:** 공구의 비금속성 부분을 청소할 때는 용제 등의 강력한 화학약품을 절대 사용하지 마십시오. 그렇지 않으면 이러한 부분에 사용된 재료가 약해질 수 있습니다. 형강에 물과 순한 비누를 적셔 닦아주십시오. 공구 내부에 액체를 넣거나 공구 부품을 액체에 담그는 행동은 절대 금물입니다

선택 액세서리

! **경고:** DeWALT에서 제공하지 않은 액세서리는 본 제품에서 테스트되지 않았으므로 본 제품에서 이러한 액세서리를 사용하면 위험할 수 있습니다. 신체 부상의 위험을 줄이려면 본 제품에 알맞은 액세서리만 사용해야 합니다.

! **경고:** 임팩트 액세서리 만 사용하십시오. 충격이 없는 소켓은 파손되어 위험한 사고를 유발할 수 있습니다. 사용하기 전에 액세서리를 검사하여 균열이 없는지 확인하십시오.

해당 액세서리에 대한 자세한 정보는 판매 대리점으로 문의하십시오.

환경 보호



분리 수거. 이 기호가 표시된 제품과 배터리를 일반 가정용 쓰레기와 함께 처리하면 안됩니다.

제품과 배터리에는 재활용되거나 재사용되고 고철 자원에 대한 수요를 줄일 수 있는 자재가 포함되어 있습니다. 전기 제품과 배터리는 지역 규정에 따라 재활용하십시오. 자세한 내용은 www.2helpU.com 에서 찾아볼 수 있습니다.

충전용 배터리 팩

이전에 쉽게 수행했던 작업에 대해 충분한 힘을 발휘하지 못하는 배터리 팩은 재충전해야 합니다. 배터리 수명이 다하면 환경 보호 차원에서 배터리 팩을 폐기하십시오.

- 배터리 팩을 완전히 사용하고 난 후 공구에서 분리하십시오.
- 리튬이온 전지는 재활용할 수 있습니다. 이 전지를 판매점이나 지역 재활용 센터로 가져가십시오. 수집된 배터리 팩은 재활용되거나 적절히 폐기됩니다

정비 및 수리

DeWALT는 고객들에게 가장 효율적이고 신뢰할 수 있는 서비스를 제공하기 위하여 훈련된 직원들로 센터를 구성하고 있습니다.

사용자의 안전 및 제품의 신뢰성을 보장하기 위하여 제품의 정비, 유지 보수 및 수리는 반드시 공인된 서비스센터에서 수행해야 합니다. 자격이 없는 곳으로부터 받은 제품의 정비 및 수리는 사용자의 부상 위험 및 불이익을 초래할 수 있습니다. 가까운 DeWALT 서비스센터의 위치를 알아보려면, 제품과 함께 동봉된 전단을 통해 전화번호, 홈페이지 주소 및 기타 연락처 등을 확인할 수 있습니다.

ไขควงกระแทกไร้สายและไร้แปรงถ่าน

DCF850

ขอแสดงความยินดี!

คุณได้เลือกใช้เครื่องมือของ DEWALT ด้วยประสิทธิภาพที่ยาวนาน ตลอดจนการพัฒนาผลิตภัณฑ์และนวัตกรรมใหม่ๆ ทำให้ DEWALT เป็นหนึ่งในเครื่องมือไฟฟ้าที่น่าเชื่อถือที่สุดสำหรับกลุ่มผู้ใช้เครื่องมือไฟฟ้าระดับมืออาชีพ

ข้อมูลด้านเทคนิค

DCF850		
แรงดันไฟฟ้า	V _{DC}	18(20 Max)
ประเภทแบตเตอรี่		Li-Ion
กำลังไฟขาออก	W	475
ความเร็วรอบสูงสุด	rpm	
โหมด 1		0-1000
โหมด 2		0-2800
โหมด 3		0-3250
อัตราการกระแทก	ipm	0-3800
แรงบิดสูงสุด	Nm	205
ขนาดหัวจับตอก	mm	6.35
น้ำหนัก (*ไม่รวมแบตเตอรี่)	kg	0.95

คำเตือน: การสั่นสะเทือนและ/หรือระดับการปล่อยเสียงรบกวนที่ประกาศเป็นการขึ้นกระแทกของเครื่องยึดซึ่งมีความสูงสุดของเครื่องมือ อย่างไรก็ตาม หากมีการใช้เครื่องมือสำหรับการใช้งานที่แตกต่างกันออกไปกับอุปกรณ์เสริมต่างๆ หรือหากอุปกรณ์ได้รับการบำรุงรักษาไม่เหมาะสม การสั่นสะเทือนและ/หรือการปล่อยเสียงรบกวนอาจแตกต่างออกไปได้ เรื่องดังกล่าวจะเพิ่มระดับการสัมผัสที่มีต่อระยะ

เวลาของการทำงานทั้งหมด การประมาณระดับการสัมผัสที่มีต่อการสั่นสะเทือนและ/หรือเสียงรบกวนจะต้องได้รับการนำมาพิจารณาเช่นกันเมื่อปิดเครื่องมือหรือเมื่อกำลังเดินเครื่องเครื่องมือ แต่ไม่ใช่เมื่อกำลังทำงานจริง การทำเช่นนี้สามารถลดระดับของการสัมผัสที่มีต่อระยะเวลาของการทำงานทั้งหมดลงได้เป็นอย่างมาก ระบุมาตรการความปลอดภัยเพิ่มเติมในการปกป้องผู้ปฏิบัติงานจากผลกระทบของการสั่นสะเทือนและ/หรือเสียงรบกวน เช่น การบำรุงรักษาเครื่องมือและอุปกรณ์เสริม การทำให้มืออบอุ่นอยู่เสมอ (เกี่ยวข้องสำหรับการสั่นสะเทือน) การจัดการรูปแบบการทำงาน



คำเตือน: เพื่อลดความเสี่ยงจากการบาดเจ็บโปรดอ่านคู่มือการใช้งานเล่มนี้

คำจำกัดความ: ข้อแนะนำด้านความปลอดภัย

คำจำกัดความด้านล่างอธิบายถึงระดับความรุนแรงของความอันตรายที่ใช้เรียกสัญลักษณ์ต่างๆ โปรดอ่านคู่มือและใส่ใจกับสัญลักษณ์ต่างๆ เหล่านี้



อันตราย: หมายถึงสถานการณ์ที่ก่อให้เกิดอันตรายได้อย่างฉับพลัน ซึ่งหากไม่ระวังจะทำให้เสียชีวิตหรือได้รับบาดเจ็บสาหัสได้



คำเตือน: หมายถึงสถานการณ์ที่มีแนวโน้มว่าจะก่อให้เกิดอันตราย ซึ่งหากไม่ระวังสามารถทำให้เกิดอันตรายถึงชีวิตหรือบาดเจ็บสาหัสได้

แบตเตอรี่				อุปกรณ์ชาร์จ/เวลาในการชาร์จ (นาที)								
Cat#	V _{DC}	Ah	น้ำหนัก(kg)	DCB104	DCB107	DCB112	DCB115	DCB117	DCB118	DCB132	DCB1112	
DCB546/DCB606	18/54 (20/60 Max)	6.0/2.0	1.05	60	270	170	90	40	60	90	40	
DCB547/DCB609	18/54 (20/60 Max)	9.0/3.0	1.46	75*	420	270	135*	60	75*	135*	60	
DCB548/DCB612	18/54 (20/60 Max)	12.0/4.0	1.44	120	540	350	180	80	120	180	80	
DCB181	18 (20 Max)	1.5	0.35	22	70	45	22	22	22	22	22	
DCB182/DCB204	18 (20 Max)	4.0	0.61	60/40**	185	120	60	60/40**	60/40**	60	60/40**	
DCB183/DCB203	18 (20 Max)	2.0	0.40	30	90	60	30	30	30	30	30	
DCB184/DCB205	18 (20 Max)	5.0	0.62	75/50**	240	150	75	75/50**	75/50**	75	75/50**	
DCB185	18 (20 Max)	1.3	0.35	22	60	40	22	22	22	22	22	
DCB187	18 (20 Max)	3.0	0.54	45	140	90	45	45	45	45	45	
DCB189/DCB240	18 (20 Max)	4.0	0.54	60	185	120	60	60	60	60	60	
DCB186	18 (20 Max)	6.0	0.95	60	270	170	90	60	60	90	60	

*รหัสวันที่ 201811475B หรือหลังจากนั้น

**รหัสวันที่ 201536 หรือหลังจากนั้น



ข้อควรระวัง: หมายถึงสถานการณ์ที่มีแนวโน้มว่าจะก่อให้เกิดอันตราย ซึ่งหากไม่ระวัง อาจทำให้ได้รับบาดเจ็บเล็กน้อยหรือปานกลาง

ข้อสังเกต: หมายถึงการปฏิบัติที่ไม่เกี่ยวข้องกับความปลอดภัยซึ่งหากไม่ระวังอาจทำให้ทรัพย์สินเสียหายได้



แสดงถึงความเสี่ยงจากการถูกไฟฟ้าช็อต



แสดงถึงอันตรายจากการเกิดเพลิงไหม้

คำเตือนเพื่อความปลอดภัยทั่วไป สำหรับการใช้เครื่องมือไฟฟ้า



คำเตือน: อ่านคำเตือนเพื่อความปลอดภัย คำแนะนำ ภาพประกอบ และข้อมูลจำเพาะทั้งหมด ซึ่งได้รับการจัดหามาให้พร้อมทั้งกับเครื่องมือไฟฟ้านี้ การไม่สามารถปฏิบัติตามคำแนะนำทั้งหมดซึ่งระบุไว้ที่ด้านล่างอาจทำให้เกิดไฟฟ้าช็อต ไฟไหม้ และ/หรือการบาดเจ็บสาหัสได้

จัดเก็บเอกสารคำเตือนและคำแนะนำทั้งหมดไว้เพื่อการอ้างอิงในภายหลัง

คำว่า “เครื่องมือไฟฟ้า” ในคำเตือน หมายถึง เครื่องมือไฟฟ้า (แบบมีสาย) ที่ทำงานผ่านแหล่งจ่ายไฟหลัก หรือ เครื่องมือไฟฟ้า (แบบไร้สาย) ที่ทำงานผ่านแบตเตอรี่

1) ความปลอดภัยในบริเวณที่ทำงาน

- รักษาความสะอาดและจัดให้มีแสงสว่างเพียงพอในบริเวณที่ทำงาน บริเวณที่มีดหรือมีขของวางระเกะระกะอาจทำให้เกิดอุบัติเหตุได้
- ห้ามใช้เครื่องมือไฟฟ้าในบริเวณที่อาจเกิดการระเบิด เช่น ในสถานที่ที่มีของเหลว แก๊ส หรือ ฝุ่นละอองที่มีคุณสมบัติไวไฟ เครื่องมือไฟฟ้าจะทำให้เกิดประกายไฟที่อาจทำให้เกิดละอองไฟหรือเปลวไฟขึ้นได้
- ระวังไม่ให้เด็กเล็กและคนเดินผ่านไปมาเข้าใกล้ในขณะที่ใช้งานเครื่องมือไฟฟ้า สิ่งรบกวนอาจทำให้คุณเสียสมาธิได้

2) ความปลอดภัยทางไฟฟ้า

- ปลั๊กไฟของเครื่องต้องเป็นชนิดเดียวกับตัวรับ ห้ามตัดแปลงปลั๊กไม่ว่าด้วยวิธีใด ห้ามใช้ปลั๊กอะแดปเตอร์ใดๆ กับเครื่องมือไฟฟ้าที่ต่อสายดิน (ลงกราวด์) ปลั๊กที่ไม่มีกราวด์และตัวรับชนิดเดียวกันจะช่วยลดความเสี่ยงจากการเกิดไฟฟ้าช็อต
- หลีกเลี่ยงการสัมผัสพื้นผิวที่ต่อสายดินหรือลงกราวด์ เช่น ท่อ หม้อน้ำ เตาหุงต้ม และตู้เย็น มีความเสี่ยงเพิ่มขึ้นที่จะเกิดไฟฟ้าช็อตหากร่างกายเป็นสื่อเชื่อมต่อกับดินหรือลงกราวด์
- อย่าให้เครื่องมือไฟฟ้าถูกฝนหรืออยู่ในสภาพที่เปียกชื้น น้ำที่เข้าเครื่องมือไฟฟ้าจะเพิ่มความเสี่ยงในการเกิดไฟฟ้าช็อต

- ห้ามใช้สายไฟผิดวัตถุประสงค์ ห้ามใช้สายไฟเพื่อการหิ้ว ดึง หรือถอดปลั๊กเครื่องมือไฟฟ้า เก็บสายไฟให้พ้นจากความร้อน น้ำมัน ของมีคม หรือ ชิ้นส่วนที่กำลังเคลื่อนที่ สายไฟที่ชำรุดหรือพันกันเป็นการเพิ่มความเสี่ยงจากการถูกไฟฟ้าช็อต
- เมื่อใช้เครื่องมือไฟฟ้านอกอาคาร ให้ใช้สายต่อพ่วงที่เหมาะสมสำหรับการใช้งานนอกอาคาร ใช้สายไฟที่เหมาะสมสำหรับใช้บอกอาคารจะช่วยลดความเสี่ยงต่อการเกิดไฟฟ้าช็อต
- หากไม่สามารถหลีกเลี่ยงการใช้เครื่องมือไฟฟ้าในบริเวณที่ชื้นแฉะได้ ให้ใช้อุปกรณ์ป้องกันไฟดูด (RCD) การใช้ RCD จะช่วยลดความเสี่ยงในการถูกไฟฟ้าช็อต

3) ความปลอดภัยส่วนบุคคล

- ตื่นตัวและมีสมาธิกับสิ่งที่คุณกำลังทำ รวมทั้งใช้สามัญสำนึก ในขณะที่กำลังใช้งานเครื่องมือไฟฟ้า ห้ามใช้เครื่องมือไฟฟ้าในขณะที่คุณกำลังเหนื่อยหรือได้รับอิทธิพลจากแอลกอฮอล์ หรือการรักษายาบางอย่าง การขาดความระมัดระวังในการใช้เครื่องมือไฟฟ้าแม้ชั่วขณะหนึ่งอาจทำให้บาดเจ็บสาหัสได้
- ใช้อุปกรณ์คุ้มครองความปลอดภัยส่วนบุคคลสวมอุปกรณ์ป้องกันดวงตาเสมอ อุปกรณ์ป้องกัน เช่น หน้ากากกันฝุ่น รองเท้านิรภัยกันสั่น หมวกนิรภัย หรืออุปกรณ์ป้องกันเสียงดังที่ใช้ในสภาวะที่เหมาะสมจะช่วยลดอาการบาดเจ็บทางร่างกาย
- ป้องกันเครื่องเปิดทำงานโดยไม่ตั้งใจ สวิตช์ต้องอยู่ในตำแหน่งปิดก่อนที่จะเสียบปลั๊กเข้ากับแหล่งจ่ายไฟ และ/หรือ ขุดแบตเตอรี่ หรือก่อนจะยกหรือหัวเครื่องมือ การยกเครื่องมือไฟฟ้าในขณะที่นิ้วอยู่ที่สวิตช์ หรือใช้เครื่องมือไฟฟ้าที่สวิตช์เปิดอยู่ อาจทำให้เกิดอุบัติเหตุได้
- ถอดกุญแจปรับตั้งหรือประแจออกก่อนเปิดสวิตช์เครื่องมือไฟฟ้า ประแจหรือกุญแจที่เสียบค้างอยู่ในชิ้นส่วนที่หมุนได้ของเครื่องมือไฟฟ้าอาจทำให้ได้รับบาดเจ็บได้
- ห้ามยื่นแขนขาขณะที่ใช้เครื่อง ควรยืนในท่าที่เหมาะสมและสมดุลตลอดเวลา เพื่อช่วยในความควบคุมเครื่องมือไฟฟ้าได้ดียิ่งขึ้นในสถานการณ์ที่ไม่คาดคิด
- แต่งกายให้เหมาะสม ห้ามสวมเสื้อผ้าหลวมหรือใส่เครื่องประดับ รวนผมและเสื้อผ้าให้ห่างจากชิ้นส่วนที่กำลังหมุน เสื้อผ้าที่หลวมหรือยาวรุ่มร่ามเครื่องประดับ หรือผมที่ยาวอาจเข้าไปพันกับชิ้นส่วนที่กำลังหมุน
- หากมีอุปกรณ์สำหรับดูดและเก็บฝุ่น ต้องตรวจสอบให้แน่ใจว่าได้เชื่อมต่อและใช้งานอุปกรณ์นั้นอย่างเหมาะสม การใช้อุปกรณ์เก็บฝุ่นจะช่วยลดอันตรายที่เกี่ยวข้องกับฝุ่นได้

- h) อย่ำให้ความเคยชินจากการใช้งานทำให้คุณประมาทและละเลยการปฏิบัติตามหลักการเพื่อความปลอดภัย การใช้งานโดยไม่ระวังอาจทำให้เกิดการบาดเจ็บสาหัสได้ภายในเวลาเพียงเสี้ยววินาที

4) การใช้งานและการดูแลรักษาเครื่องมือไฟฟ้า

- a) ห้ามฝืนใช้เครื่องมือไฟฟ้า เลือกใช้เครื่องมือไฟฟ้าที่ถูกต้องตรงกับลักษณะการใช้งานของคุณ เครื่องมือไฟฟ้าที่ถูกต้องย่อมทำงานได้ดีกว่าและปลอดภัยกว่า เมื่อใช้งานตามพิกัดที่เครื่องมือได้รับการออกแบบมา
- b) ห้ามใช้เครื่องมือไฟฟ้าถ้าสวิตช์เปิดปิดเครื่องไม่ทำงาน เครื่องมือไฟฟ้าที่ไม่สามารถควบคุมผ่านสวิตช์ได้ ถือว่ามีอันตรายและต้องส่งซ่อม
- c) ถอดปลั๊กของเครื่องมือไฟฟ้าออกจากแหล่งจ่ายไฟ และ/หรือหากถอดแบตเตอรี่ได้ ให้ถอดแบตเตอรี่ออกก่อนทำการปรับแต่ง เปลี่ยนอุปกรณ์เสริม หรือจัดเก็บเครื่องมือไฟฟ้า มาตรการเพื่อความปลอดภัยระหว่างการป้องกันจะช่วยลดความเสี่ยงในการผลอเปิดเครื่องไฟฟ้าให้ทำงานโดยไม่ไดตั้งใจ
- d) เก็บเครื่องมือไฟฟ้าที่ไม่ได้ใช้งานไว้ในพ้นมือเด็ก และไมอนุญาตให้บุคคลที่ไม่คุ้นเคยกับเครื่องมือไฟฟ้าหรือคำแนะนำเหล่านี้เป็นผู้ใช้เครื่องมือ เครื่องมือไฟฟ้าจะเป็นอันตรายหากอยู่ในมือผู้ใช้ที่ไม่มีควมชำนาญ
- e) บำรุงรักษาเครื่องมือไฟฟ้าและอุปกรณ์เสริมต่าง ๆ ตรวจสอบว่าชิ้นส่วนที่เคลื่อนที่ได้มีการวางไม่ตรงแนวหรือติดขัดหรือไม่ มีชิ้นส่วนที่แตกหัก และสภาพพื้นใดที่อาจส่งผลกระทบต่อทำงานของเครื่องมือไฟฟ้าหรือไม่ หากชำรุดเสียหาย ให้นำเครื่องมือไปส่งซ่อมก่อนนำมาใช้ อุบัติเหตุจำนวนมากเกิดจากการดูแลรักษาเครื่องมือไฟฟ้าไม่ดีพอ
- f) เครื่องมือตัดต้องคมและสะอาดอยู่เสมอ เครื่องมือตัดที่ได้รับการดูแลรักษาอย่างถูกต้องและมีขอบตัดคม จะมีปัญหาติดขัดน้อย และควบคุมได้ง่ายกว่า
- g) ใช้เครื่องมือไฟฟ้า อุปกรณ์เสริม และดอกสว่านของเครื่องมือ เป็นต้น ให้ตรงตามข้อปฏิบัติเหล่านี้ โดยพิจารณาถึงสภาพการทำงานและงานที่ทำเป็นสำคัญ การใช้เครื่องมือไฟฟ้าทำงานอื่นนอกเหนือจากที่กำหนดไว้อาจทำให้เกิดอันตรายได้
- h) หมั่นดูแลให้มือจับและพื้นผิวที่จับนั้นแห้ง สะอาด ปราศจากน้ำมันและจาระบี มือจับและผิวสัมผัสที่ชื้นอาจทำให้เกิดการใช้งานที่ไม่ปลอดภัย และทำให้ไม่สามารถควบคุมเครื่องมือในสถานการณ์คับขันได้อย่างถูกต้อง

5) การใช้และการดูแลรักษาแบตเตอรี่

- a) ชาร์จแบตเตอรี่ด้วยเครื่องชาร์จที่ผู้ผลิตแนะนำเท่านั้น เครื่องชาร์จที่เหมาะสมกับแบตเตอรี่

แบบหนึ่งอาจทำให้เกิดไฟไหม้ได้ถ้านำมาใช้กับแบตเตอรี่อีกแบบหนึ่ง

- b) ใช้เครื่องมือไฟฟ้าเฉพาะกับก้อนแบตเตอรี่ที่ออกแบบมาเป็นพิเศษเท่านั้น การใช้แบตเตอรี่แบบอื่นอาจทำให้เกิดการบาดเจ็บหรือเกิดไฟไหม้ได้
- c) เมื่อไม่ได้ใช้ก่อนแบตเตอรี่ ให้เก็บออกห่างจากรัดกุมๆ ที่เป็นโลหะ เช่น คลิปหนีบกระดาษ เหรียญ กุญแจ เข็ม สกรูหรือวัตถุขนาดเล็กอื่นๆ ที่ทำจากโลหะที่อาจทำให้เกิดการเชื่อมต้อจากขั้วหนึ่งไปอีกขั้วหนึ่ง การลัดวงจรบริเวณขั้วแบตเตอรี่อาจทำให้เกิดรอยไหม้หรือไฟไหม้ได้
- d) เมื่ออยู่ภายใต้สภาวะที่ไม่เหมาะสม อาจมีของเหลวไหลออกมาจากแบตเตอรี่ ให้หลีกเลี่ยงการสัมผัสกับของเหลวนี้ หากบังเอิญสัมผัสโดยไม่ตั้งใจ ให้ล้างออกด้วยน้ำปริมาณมาก หากของเหลวกระเด็นเข้าตา ควรรีบไปพบแพทย์ของเหลวที่ออกมาจากแบตเตอรี่อาจทำให้เกิดอาการระคายเคืองหรือรอยไหม้ได้
- e) ห้ามใช้แบตเตอรี่หรือเครื่องมือที่มีการชำรุดเสียหายหรือได้รับการดัดแปลง แบตเตอรี่ที่ชำรุดเสียหายหรือได้รับการดัดแปลงอาจทำให้เกิดเหตุการณ์ที่ไม่คาดคิด เช่น ไฟไหม้ ระเบิด หรือความเสี่ยงอันก่อให้เกิดการบาดเจ็บได้
- f) อย่ำให้แบตเตอรี่หรือเครื่องมือถูกไฟไหม้หรืออยู่ในที่มีอุณหภูมิสูงเกินไป หากแบตเตอรี่ถูกไฟไหม้หรืออยู่ในที่มีอุณหภูมิสูงเกิน 130 °C อาจทำให้เกิดการระเบิดได้
- g) ปฏิบัติตามคำแนะนำการชาร์จทุกขั้นตอนและไม่ชาร์จแบตเตอรี่หรือเครื่องมือในอุณหภูมิที่เกินจากที่กำหนดไว้ในคำแนะนำ การชาร์จที่ไม่ถูกต้องหรือในอุณหภูมิที่นอกเหนือจากที่กำหนดไว้ อาจทำให้แบตเตอรี่เสียหายและเสี่ยงต่อการเกิดไฟไหม้ได้

6) การบริการ

- a) ให้ช่างซ่อมที่มีความเชี่ยวชาญเป็นผู้ซ่อมเครื่องมือไฟฟ้า และใช้อะไหล่ของแท้เท่านั้น ซึ่งจะช่วยให้มั่นใจได้ว่าเครื่องมือไฟฟ้ายังมีความปลอดภัยอยู่
- b) ห้ามซ่อมแบตเตอรี่ที่ชำรุด ควรให้ผู้ผลิตหรือผู้ให้บริการที่ผ่านการรับรองเป็นผู้ซ่อมแบตเตอรี่เท่านั้น

กฎความปลอดภัยที่เฉพาะเจาะจงเพิ่มเติมสำหรับบล็อกลม/ไขควงกระแทก

- ถัดเครื่องมือไฟฟ้าโดยการจับผิวน้ำที่กั้นฉนวนเมื่อต้องปฏิบัติงานที่อุปกรณ์เสริมสำหรับการตัดอาจสัมผัสถูกการเดินสายไฟที่ซ่อนอยู่ เครื่องยึดซึ่งสัมผัสกับสายไฟที่ "มีกระแสไฟ" อาจทำให้ชิ้นส่วนโลหะของเครื่องมือไฟฟ้า "มีกระแสไฟ" และอาจทำให้ผู้ปฏิบัติงานถูกไฟฟ้าดูดได้

ความเสี่ยงคงเหลือ

แม้จะปฏิบัติตามข้อกำหนดด้านความปลอดภัยที่เกี่ยวข้องและใช้อุปกรณ์นิรภัยแล้วก็ตาม แต่ก็ไม่สามารถหลีกเลี่ยงความเสี่ยงบางอย่างได้ ความเสี่ยงเหล่านั้นได้แก่:

- ความบกพร่องในการไต่ขึ้นเสี้ยน
- ความเสี่ยงที่จะได้รับบาดเจ็บจากเศษชิ้นงานที่ปลิว
- ความเสี่ยงที่จะเกิดรอยไหม้เนื่องจากอุปกรณ์เสริมที่ร้อนขึ้นในระหว่างการใช้งาน
- ความเสี่ยงที่จะได้รับบาดเจ็บเนื่องจากการใช้งานเป็นเวลานาน
- ความเสี่ยงในการเกิดฝุ่นจากสารอันตราย

เก็บคำแนะนำเหล่านี้ไว้

เครื่องชาร์จ

เครื่องชาร์จ DEWALT สามารถใช้งานได้โดยไม่ต้องปรับแต่งและได้รับการออกแบบมาให้ใช้งานง่ายที่สุด

ความปลอดภัยทางไฟฟ้า

มอเตอร์ไฟฟ้าออกแบบมาเพื่อใช้กับแรงดันไฟฟ้าขนาดเดียวเท่านั้น ต้องตรวจสอบแรงดันไฟฟ้าของแบตเตอรี่ให้ตรงกับแรงดันไฟฟ้าบนแผ่นแสดงพิกัดเสมอ รวมทั้งตรวจสอบว่าแรงดันไฟฟ้าของเครื่องชาร์จตรงกับกับสายไฟตัวเครื่องของคุณ



เครื่องชาร์จ DEWALT ของคุณมีฉนวนสองชั้นตามมาตรฐาน IEC60335 ดังนั้นจึงไม่จำเป็นต้องใช้สายดิน.

หากสายไฟชำรุด เฉพาะ DEWALT หรือองค์กรจัดการซ่อมบำรุงที่ได้รับอนุญาตเท่านั้นที่สามารถเปลี่ยนชิ้นส่วนดังกล่าวได้

การใช้สายพวง

ห้ามใช้สายต่อพวงเว้นแต่มีความจำเป็นอย่างหลีกเลี่ยงไม่ได้ ควรใช้สายต่อพวงที่ผ่านการรับรองและเหมาะสมกับกำลังไฟเข้าของเครื่องชาร์จ (**ดูข้อมูลด้านเทคนิค**) ขนาดต่ำสุดของสายไฟ คือ 1 ตร.มม. ความยาวสูงสุด คือ 30 ม. เมื่อมีการใช้อุปกรณ์ม้วนเก็บสายไฟ ให้คลายสายไฟออกจนหมดทุกครั้ง

คำแนะนำเพื่อความปลอดภัยที่สำคัญสำหรับเครื่องชาร์จแบตเตอรี่ทุกชนิด

เก็บรักษาคำแนะนำเหล่านี้: คู่มือนี้ประกอบด้วยคำแนะนำด้านความปลอดภัยและการใช้งานที่สำคัญสำหรับเครื่องชาร์จแบตเตอรี่ที่ใช้งานร่วมกันได้ (**ดูข้อมูลด้านเทคนิค**)

- ก่อนใช้งานเครื่องชาร์จ โปรดอ่านคำแนะนำและสัญลักษณ์เตือนทั้งหมดบนเครื่องชาร์จ แบตเตอรี่ และผลิตภัณฑ์ที่ใช้แบตเตอรี่



คำเตือน: อันตรายจากการถูกไฟฟ้าช็อต อย่าให้มีมือหรือเท้าเข้าไปภายในเครื่องชาร์จ เพราะอาจทำให้เกิดไฟฟ้าช็อตได้



คำเตือน: เราแนะนำการใช้อุปกรณ์ป้องกันไฟดูดที่มีกระแสฟัดไม่เกิน 30 มิลลิแอมป์



ข้อควรระวัง: อันตรายจากไฟไหม้ เพื่อลดความเสี่ยงของการเกิดการบาดเจ็บ โปรดใช้แบตเตอรี่แบบชาร์จซ้ำได้ของ DEWALT เท่านั้น แบตเตอรี่ชนิดอื่นๆ อาจระเบิดทำให้เกิดการบาดเจ็บและความเสียหายได้



ข้อควรระวัง: เด็กควรได้รับการควบคุมดูแลเพื่อให้แน่ใจว่าเด็กจะไม่เล่นเครื่องมือ

ข้อสังเกต: ในบางสถานการณ์ ระหว่างที่เครื่องชาร์จเสียบปลั๊กอยู่ อาจมีวัตถุแปลกปลอมเข้าไปภายในเครื่องชาร์จและทำให้ตัวชาร์จไฟลัดวงจรได้อย่าให้มีวัตถุแปลกปลอมที่มีคุณสมบัตินำไฟฟ้า เช่น ฝอยเหล็ก อะลูมิเนียมฟอยล์ หรือการสะสมตัวของอนุภาคโลหะอยู่ในช่องใส่แบตเตอรี่ของเครื่องชาร์จและถอดปลั๊กเครื่องชาร์จออกเสมอ เมื่อไม่มีชุดแบตเตอรี่อยู่ในช่องใส่ รวมทั้งถอดปลั๊กเครื่องชาร์จทุกครั้งก่อนทำความสะอาด

- อย่าชาร์จแบตเตอรี่ด้วยตัวเครื่องชาร์จเครื่องอื่น นอกเหนือจากเครื่องชาร์จที่ระบุในคู่มือเล่มนี้โดยเด็ดขาด เครื่องชาร์จและชุดแบตเตอรี่ได้รับการออกแบบมาให้ใช้งานร่วมกันโดยเฉพาะ
- เครื่องชาร์จนี้ไม่ได้ออกแบบมาเพื่อการใช้งานใดๆ นอกจากชาร์จแบตเตอรี่แบบชาร์จซ้ำได้ของ DEWALT การนำไปใช้ในงานอื่นนอกเหนือจากนี้อาจเสี่ยงต่อการเกิดไฟไหม้ ไฟฟ้าช็อต หรืออันตรายจากไฟฟ้าจนถึงแก่ชีวิตได้
- อย่าให้เครื่องชาร์จถูกฝนหรือหิมะ
- ดึงปลั๊กเครื่องชาร์จที่หัวปลั๊กแทนการดึงที่สายไฟ เมื่อจะถอดปลั๊กเครื่องชาร์จ วิธีนี้จะช่วยลดความเสี่ยงที่ปลั๊กและสายไฟจะชำรุดเสียหายได้
- ตรวจสอบให้แน่ใจว่าสายไฟต้องอยู่ในตำแหน่งที่จะไม่ถูกเหยียบ เตะ สดุด มิฉะนั้นอาจทำให้สายมีความตึงหรือความเสียหายได้
- ห้ามใช้สายต่อพวงโดยเด็ดขาด เว้นแต่มีความจำเป็นอย่างหลีกเลี่ยงไม่ได้ การใช้สายต่อพวงที่ไม่เหมาะสมอาจทำให้เกิดเพลิงไหม้ ไฟฟ้าช็อต หรืออันตรายจากไฟฟ้าจนถึงแก่ชีวิตได้
- อย่าวางวัตถุใดๆ บนเครื่องชาร์จหรือวางเครื่องชาร์จไว้บนพื้นผิวอ่อนนุ่มที่อาจปิดกั้นช่องระบายอากาศและทำให้เกิดความร้อนภายในที่มากเกินไป วางเครื่องชาร์จในตำแหน่งที่ห่างจากแหล่งกำเนิดความร้อน เครื่องชาร์จมีการระบายความร้อนผ่านทางช่องระบายที่อยู่ด้านบนและด้านล่างของตัวเครื่อง
- ห้ามใช้งานเครื่องชาร์จที่มีสายไฟหรือปลั๊กชำรุดเสียหาย—ให้เปลี่ยนใหม่ทันที
- ห้ามใช้งานเครื่องชาร์จที่ถูกกระแทกอย่างรุนแรง ตกหรือได้รับความเสียหายรูปแบบใดๆ ก็ตาม ให้นำเครื่องชาร์จดังกล่าวไปยังศูนย์บริการที่ได้รับอนุญาต
- ห้ามถอดชิ้นส่วนเครื่องชาร์จเอง โปรดนำเครื่องชาร์จไปยังศูนย์บริการที่ได้รับอนุญาตเมื่อจำเป็นต้อง

ซ่อมแซมหรือรับบริการ การประกอบเครื่องกลับดั้งเดิม อย่างไม่ถูกต้องอาจเสี่ยงต่อการถูกไฟฟ้าช็อต อันตราย จากไฟฟ้าจนถึงแก่ชีวิต หรือเกิดเพลิงไหม้ได้

- ในกรณีที่สายไฟของตัวเครื่องชำรุดเสียหาย สายไฟดังกล่าวต้องได้รับการเปลี่ยนโดยผู้ผลิต หรือตัวแทนศูนย์บริการของผู้ผลิต หรือบุคคลที่มีคุณสมบัติเทียบเท่าโดยทันที เพื่อหลีกเลี่ยงอันตรายที่อาจเกิดขึ้นได้
- **ถอดปลั๊กเครื่องชาร์จทุกครั้งก่อนทำความสะอาด** การทำเช่นนี้จะช่วยลดความเสี่ยงจากการถูกไฟฟ้าช็อตได้ การถอดก่อนแบตเตอรี่จะออกจะไม่ทำให้ความเสี่ยงนี้ลดลง ห้ามเชื่อมต่อเครื่องชาร์จ 2 เครื่องเข้าด้วยกันโดยเด็ดขาด
- **เครื่องชาร์จออกแบบมาเพื่อทำงานด้วยแรงดันไฟฟ้าบ้านทั่วไป 220-240 โวลต์ ห้ามนำเครื่องชาร์จไปใช้กับแรงดันไฟอื่น ๆ ทั้งนี้ไม่รวมถึงเครื่องชาร์จสำหรับใช้ในรถยนต์**

การชาร์จแบตเตอรี่ (รูป B)

1. เสียบเครื่องชาร์จเข้ากับเต้าเสียบที่เหมาะสมก่อนที่จะใส่ก้อนแบตเตอรี่
2. ใส่ก้อนแบตเตอรี่ 6 ลงในเครื่องชาร์จ ตรวจสอบให้แน่ใจว่าใส่แบตเตอรี่ในแท่นชาร์จจนสุดแล้วไฟสีแดง (การชาร์จ) จะกะพริบซ้ำ ๆ เพื่อระบุว่ากระบวนการชาร์จได้เริ่มขึ้นแล้ว
3. เมื่อการชาร์จเสร็จสมบูรณ์ ไฟสีแดงจะติดสว่างอย่างต่อเนื่อง ก้อนแบตเตอรี่มีประจุไฟเต็มแล้ว และคุณอาจใช้งานแบตเตอรี่ในขณะนั้นหรือทิ้งไว้ในเครื่องชาร์จ หากต้องการถอดก้อนแบตเตอรี่ออกจากเครื่องชาร์จ ให้กดปุ่มปลดแบตเตอรี่ที่ 5 บนก้อนแบตเตอรี่

หมายเหตุ: เพื่อให้มั่นใจถึงประสิทธิภาพสูงสุดและอายุการใช้งานของก้อนแบตเตอรี่ลิเทียมไอออน ให้ชาร์จก้อนแบตเตอรี่ให้เต็มก่อนใช้งานครั้งแรก

การทำงานของเครื่องชาร์จ

อ้างอิงจากไฟแสดงสถานะด้านล่างสำหรับสถานะการชาร์จของก้อนแบตเตอรี่

ไฟแสดงสถานะการชาร์จ	
	กำลังชาร์จไฟ
	ชาร์จเต็มแล้ว
	หน่วงเวลาเพื่อชาร์จ/เย็น*

*ไฟสีแดงจะยังคงกะพริบต่อเนื่อง แต่ไฟแสดงสถานะสีเหลืองจะติดสว่างในระหว่างการดำเนินการนี้เมื่อก้อนแบตเตอรี่มีอุณหภูมิที่เหมาะสมแล้ว ไฟสีเหลืองจะดับลงและเครื่องชาร์จจะเริ่มกระบวนการชาร์จต่อ

เครื่องชาร์จที่เข้ากันได้จะไม่ชาร์จก้อนแบตเตอรี่ที่ผิดปกติ หากแบตเตอรี่ผิดปกติ ไฟแสดงสถานะบนเครื่องชาร์จจะไม่ติดสว่าง

หมายเหตุ: นี่อาจหมายถึงปัญหาที่เกิดขึ้นกับเครื่องชาร์จ

หากปรากฏว่ามีปัญหาเกิดขึ้นกับเครื่องชาร์จ ให้นำเครื่องชาร์จและแบตเตอรี่ไปทดสอบที่ศูนย์บริการซ่อมบำรุงที่ได้รับอนุญาต

หน่วงเวลาเพื่อชาร์จ/เย็น

เมื่อเครื่องชาร์จตรวจพบว่าก้อนแบตเตอรี่ร้อนหรือเย็นเกินไป เครื่องจะเริ่มการทำงานหน่วงเวลาเพื่อชาร์จ/เย็นโดยอัตโนมัติ หยุดการชาร์จจนกว่าแบตเตอรี่จะมีอุณหภูมิที่เหมาะสม จากนั้นเครื่องชาร์จจะสลับไปเป็นโหมดการชาร์จก้อนแบตเตอรี่โดยอัตโนมัติ คุณสมบัตินี้ช่วยให้มั่นใจถึงอายุการใช้งานสูงสุดของก้อนแบตเตอรี่

ก้อนแบตเตอรี่เย็นจะชาร์จในอัตราที่ช้ากว่าก้อนแบตเตอรี่ที่อุ่น ก้อนแบตเตอรี่จะชาร์จในอัตราที่ช้าลงตลอดรอบการชาร์จทั้งหมด และจะไม่กลับสู่อัตราการชาร์จสูงสุดแม้กระทั่งแบตเตอรี่จะอุ่นแล้วก็ตาม

เครื่องชาร์จ DCB118 มาพร้อมกับพัดลมภายในที่ออกแบบมาเพื่อทำให้ก้อนแบตเตอรี่เย็นลง พัดลมจะทำงานโดยอัตโนมัติเมื่อจำเป็นต้องระบายความร้อนของก้อนแบตเตอรี่ อย่าวางเครื่องชาร์จหากพัดลมทำงานไม่ถูกต้องหรือมีการปิดกั้นช่องระบายอากาศ อย่าวางให้วัตถุแปลกปลอมเข้าไปภายในเครื่องชาร์จ

ระบบป้องกันอิเล็กทรอนิกส์

เครื่องมือ XR Li-Ion ได้รับการออกแบบมาพร้อมกับระบบป้องกันอิเล็กทรอนิกส์ที่จะปกป้องก้อนแบตเตอรี่จากการใช้งานหนักเกินพิกัด โหลด ความร้อนสูงเกินไป หรือการคายประจุที่ลึก

เครื่องมือจะหยุดการทำงานโดยอัตโนมัติหากระบบป้องกันอิเล็กทรอนิกส์ทำงาน หากเกิดเหตุการณ์เช่นนี้ ให้วางก้อนแบตเตอรี่ลิเทียมไอออนบนเครื่องชาร์จจนกว่าจะชาร์จจนเต็ม

การติดตั้งบนผนัง

เครื่องชาร์จเหล่านี้ได้รับการออกแบบมาให้สามารถติดตั้งกับผนังหรือตั้งตรงบนโต๊ะหรือพื้นผิวการทำงาน หากติดตั้งบนผนัง ให้วางตำแหน่งเครื่องชาร์จใกล้กับเต้าเสียบและห่างจากมุมหรือสิ่งกีดขวางอื่น ๆ ซึ่งอาจขัดขวางการไหลของอากาศ ใช้ด้านหลังของเครื่องชาร์จเป็นแบบเบาะสำหรับการวางตำแหน่งของสกรูยึดบนผนัง ติดตั้งเครื่องชาร์จอย่างแน่นหนาด้วยสกรูยึดเบา (ชื่อแยกต่างหาก) ยาวอย่างน้อย 25.4 มม. ด้วยหัวสกรูขนาดเส้นผ่านศูนย์กลาง 7-9 มม. โดยยึดเข้ากับไม้ด้วยความลึกที่เหมาะสม โดยปล่อยให้สกรูไหลออกประมาณ 5.5 มม. จัดตำแหน่งของด้านหลังของเครื่องชาร์จให้ตรงกับสกรูที่ไหลออกและเกี่ยวเข้ากับช่องให้สมบูรณ์

คำแนะนำในการทำความปลอดภัยเครื่องชาร์จ

⚠ คำเตือน: อันตรายจากการถูกไฟฟ้าช็อต ถอดเครื่องชาร์จออกจากเต้ารับไฟบ้านก่อนทำความสะอาด ให้ขจัดสิ่งสกปรกและจาระบีออกจากภายนอกของเครื่องชาร์จโดยใช้ผ้าหรือแปรงขนนุ่มที่ไม่ใช่โลหะ ห้ามใช้น้ำหรือน้ำยาทำความสะอาดใดๆ อย่าวางมีของเหลวใดๆ เข้าไปในเครื่องมือเด็ดขาด ห้ามจุ่มส่วนใดๆ ของเครื่องมือลงในของเหลวเด็ดขาด

ชุดแบตเตอรี่

คำแนะนำเพื่อความปลอดภัยที่สำคัญสำหรับ ก่อนแบตเตอรี่ทั้งหมด

เมื่อสั่งซื้อก่อนแบตเตอรี่ทดแทน โปรดตรวจให้แน่ใจว่าได้
ใส่หมายเลขแคตตาล็อกและแรงดันไฟฟ้าแบบไปด้วย
ผู้ผลิตไม่ได้ทำการชาร์จก่อนแบตเตอรี่ที่บรรจุอยู่ในกล่อง
จนเต็ม ก่อนใช้งานก่อนแบตเตอรี่และเครื่องชาร์จ โปรด
อ่านคำแนะนำด้านความปลอดภัยด้านล่างจากนั้นทำตามขั้นตอน
การชาร์จที่ระบุไว้

อ่านคำแนะนำทั้งหมด

- ห้ามชาร์จหรือใช้แบตเตอรี่ในบริเวณที่อาจเกิดการ
ระเบิด เช่น ในบริเวณที่มีของเหลว แก๊ส หรือฝุ่น
ละอองที่มีคุณสมบัติไวไฟ การใส่และถอดแบตเตอรี่ออก
จากเครื่องชาร์จอาจเป็นการจุดระเบิดฝุ่นหรือไอระเหยดัง
กล่าวไว้
- ห้ามฝืนใส่แบตเตอรี่ลงในเครื่องชาร์จ ห้ามตัดแปลง
ก่อนแบตเตอรี่ด้วยวิธีการใดๆ เพื่อให้สามารถใส่ลงใน
เครื่องชาร์จที่ไม่รองรับแบตเตอรี่นั้น เนื่องจากก่อน
แบตเตอรี่อาจระเบิดขึ้นและเป็นเหตุให้ได้รับบาดเจ็บ
สาหัสได้
- ชาร์จแบตเตอรี่ในเครื่องชาร์จของ DEWALT ที่กำหนด
เท่านั้น
- ห้ามสูดหรือจุ่มลงในน้ำหรือของเหลวใดๆ โดยเด็ดขาด
- ห้ามจัดเก็บหรือใช้งานเครื่องมือและชุดแบตเตอรี่ใน
สถานที่ซึ่งอุณหภูมิต่ำกว่า 40 °C (104 °F) (เช่น เหยือก
ของกลางแจ้งหรืออาคารที่เป็นโลหะในฤดูร้อน)
- ห้ามเผาชุดแบตเตอรี่ แม้ว่าชุดแบตเตอรี่นั้นจะได้รับความ
เสียหายอย่างร้ายแรงหรือใช้งานจนหมดแล้ว
ก็ตาม ชุดแบตเตอรี่สามารถระเบิดในเปลวไฟได้ และจะ
เกิดแก๊สพิษและสารพิษอันตรายขึ้นเมื่อแบตเตอรี่ลิเทียม
ไอออนถูกเผา
- หากสารภายในแบตเตอรี่สัมผัสถูกผิวหนัง ให้รีบ
ล้างออกด้วยน้ำสบู่อ่อนๆทันที หากของเหลวภายใน
แบตเตอรี่เข้าตา ให้ลืมตาในน้ำเป็นเวลา 15 นาทีหรือจน
ไม่รู้สึกระคายเคืองอีก หากจำเป็นต้องไปพบแพทย์ สาร
อิเล็กโทรไลต์ของแบตเตอรี่เป็นส่วนผสมของสารละลาย
คาร์บอนเนตอินทรีย์และเกลือลิเทียม
- สารภายในแบตเตอรี่ที่ถูกเปิดออกอาจระคายเคืองต่อ
ระบบทางเดินหายใจได้ ให้รีบไปยังสถานที่ที่มีอากาศ
ถ่ายเท หากอาการผิดปกติไม่หายไป ให้รีบพบแพทย์



คำเตือน: อันตรายจากไฟไหม้ ของเหลวในแบตเตอรี่
อาจติดไฟได้หากสัมผัสกับประกายไฟหรือเปลวไฟ



คำเตือน: ห้ามพยายามแกะตัวแบตเตอรี่ในทุกกรณี
หากตัวก่อนแบตเตอรี่มีรอยแตกหรือเสียหาย ห้ามนำ
ใส่เข้าไปในเครื่องชาร์จโดยเด็ดขาด ห้ามทุบ ท้ากด
หรือทำให้ก่อนแบตเตอรี่ชำรุดเสียหาย ห้ามใช้งาน
แบตเตอรี่และเครื่องชาร์จที่ถูกกระแทกอย่างรุนแรง
เคยตก ถูกทับ หรือได้รับความเสียหายในรูปแบบ

ใดๆ(กล่าวคือ ถูกตะปุดตกทะเล ถูกค้อนทุบ ถูกเหยียบ
จนชำรุด) เพราะอาจทำให้เกิดไฟฟ้าช็อตหรือเกิด
อันตรายจากไฟฟ้าจนถึงแก่ชีวิตได้ ควรส่งแบตเตอรี่ที่
ชำรุดเสียหายคืนให้ศูนย์บริการเพื่อนำไปรีไซเคิล



คำเตือน: อันตรายจากเพลิงไหม้ อย่าเก็บหรือ
ทิ้งชุดแบตเตอรี่ในถังขยะในลักษณะที่วัสดุที่ทำด้วย
โลหะและถูกขั้วของแบตเตอรี่ ตัวอย่างเช่น อย่าวาง
ชุดแบตเตอรี่ไว้ในชุดกันเบรอน กระเป๋ากล่องเครื่องมือ
กล่องชุดผลิตภัณฑ์ ลิ้นชัก เป็นต้น เก็บรวมไว้กับตะป
สกรู ทุบทุก เป็นต้น



ข้อควรระวัง: เมื่อไม่ใช้งาน ในห้างเครื่องมือ
ตะแคงไว้บนพื้นผิวที่มั่นคงที่จะไม่ทำให้เกิด
อันตรายจากการสะดุดหรือร่วงหล่น อุปกรณ์บางอย่าง
ที่มีแบตเตอรี่ก่อนใหญ่อาจจะสามารถวางตั้งบน
แบตเตอรี่ได้ แต่ก็อาจถูกชนล้มได้ง่ายเช่นกัน

การขนส่ง



คำเตือน: อันตรายจากเพลิงไหม้ การขนส่ง
แบตเตอรี่อาจทำให้เกิดไฟไหม้ได้ ถ้าขั้วของแบตเตอรี่
สัมผัสกับวัตถุที่นำไฟฟ้า เมื่อทำการขนส่งแบตเตอรี่
ต้องแน่ใจว่าขั้วแบตเตอรี่ได้รับการป้องกันและได้รับ
การหุ้มฉนวนอย่างดีเพื่อไม่ให้มีวัสดุใดๆ มาสัมผัสถูก
และทำให้เกิดการลัดวงจรได้

แบตเตอรี่ของ DEWALT ปฏิบัติตามข้อกำหนดในการขนส่ง
ที่บังคับใช้ตามที่มีบัญญัติเป็นมาตรฐานของกฎหมายและ
อุตสาหกรรมทุกประการ ซึ่งประกอบด้วย ข้อแนะนำใน
การขนส่งสินค้าอันตรายขององค์การสหประชาชาติ
(UN Recommendations on the Transport of Dangerous Goods)
ระเบียบข้อบังคับของสมาคมขนส่งทางอากาศระหว่างประเทศ
(IATA) ข้อจำกัดด้วยกรมขนส่งสินค้าอันตรายระหว่าง
ประเทศ ขององค์การทางทะเลระหว่างประเทศ (International
Maritime Dangerous Goods – IMDG)
และข้อตกลงร่วมกับการขนส่งสินค้าอันตรายผ่านแดนทาง
ถนนของกลุ่มประชาคมเศรษฐกิจยุโรป (European Agreement
Concerning the International Carriage of Dangerous Goods by
Road – ADR) เซลล์และแบตเตอรี่ลิเทียมไอออนได้รับการ
ทดสอบตามเกณฑ์และการทดสอบมาตรา 38.3 ของข้อแนะนำ
ในการขนส่งสินค้าอันตรายขององค์การสหประชาชาติแล้ว
โดยส่วนใหญ่แล้ว การขนส่งแบตเตอรี่ของ DEWALT จะได้รับ
ยกเว้นในการจัดประเภทเป็นวัตถุอันตรายตามที่กำหนด
ไว้ประเภทที่ 9 โดยทั่วไปการขนส่งที่บรรจุแบตเตอรี่ลิเทียม
ไอออนที่มีอัตราพลังงานไฟฟ้ามากกว่า 100 วัตต์-ชั่วโมง
(Wh) จะต้องขนส่งตามที่กำหนดไว้ประเภทที่ 9 โดยต้องมี
การทำเครื่องหมายแสดงอัตราวัตต์-ชั่วโมงที่หีบห่อของ
แบตเตอรี่ลิเทียมไอออนทั้งหมด นอกจากนี้ เนื่องจากความ
ความซับซ้อนของข้อบังคับ DEWALT ไม่แนะนำให้ขนส่ง
แบตเตอรี่ลิเทียมไอออนทางอากาศเพียงอย่างเดียวโดย
ไมคำนึงถึงอัตราวัตต์-ชั่วโมง การขนส่งเครื่องมือพร้อม
แบตเตอรี่ (เครื่องมือชุด) สามารถขนส่งทางอากาศได้

เนื่องจากได้รับยกเว้น หากอัตราวัด-ชั่วโมงของชุดแบตเตอรี่ไม่เกิน 100 วัด-ชั่วโมง

ทั้งนี้ โดยไม่คำนึงว่ากรรขณสงจะได้รับยกเว้นหรือต้องปฏิบัติตามอย่างครบถ้วน เป็นความรับผิดชอบของผู้ขนส่งที่จะต้องค้นหาข้อมูลเกี่ยวกับข้อบังคับด้านบรรทัดฐานล่าสุด ข้อกำหนดเรื่องการแสดงฉลาก/เครื่องหมายและการจัดเตรียมเอกสาร

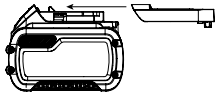
ข้อมูลในหัวข้อนี้ได้รับการจัดเตรียมโดยสุจริตและเชื่อมั่นว่าถูกต้องในเวลาที่จะจัดทำขึ้น อย่างไรก็ตาม ไม่ถือว่าเป็นการรับประกันทั้งโดยชัดแจ้งหรือโดยปริยาย เป็นความรับผิดชอบของผู้ซื้อที่จะตรวจสอบให้แน่ใจว่ากิจกรรมต่างๆ ของบริษัทสอดคล้องตามข้อกำหนดที่บังคับใช้

การขนส่งแบตเตอรี่ FLEXVOLT™

แบตเตอรี่ DEWALT FLEXVOLT™ มีสองโหมด: **การใช้และการขนส่ง**

โหมดการใช้งาน: เมื่อแบตเตอรี่ FLEXVOLT™ แยกอยู่โดดเดี่ยวหรืออยู่ในผลิตภัณฑ์ DEWALT 18V(20V Max) แบตเตอรี่จะทำงานเป็นแบตเตอรี่ 18V(20V Max) เมื่อแบตเตอรี่ FLEXVOLT™ อยู่ในผลิตภัณฑ์ 54V(60V Max) หรือ108V(120V Max) (แบตเตอรี่ 54V(60V Max) สองก้อน) แบตเตอรี่จะทำงานเป็นแบตเตอรี่ 54V(60V Max)

โหมดการขนส่ง: เมื่อติดตั้งฝาครอบกับแบตเตอรี่ FLEXVOLT™ ซึ่งแบตเตอรี่อยู่ในโหมดการขนส่งให้เก็บรักษาฝาครอบสำหรับจัดส่ง



เมื่ออยู่ในโหมดการขนส่ง สตรีงของเซลล์จะถูกตัดการเชื่อมต่อทางไฟฟ้าภายในก่อนแบตเตอรี่ ทำให้แบตเตอรี่ 3 ก้อนมีพิกัดวัด-ชั่วโมง (Wh) ต่ำลงเมื่อเปรียบเทียบกับแบตเตอรี่ 1 ก้อนที่มีพิกัดวัด-ชั่วโมงสูงกว่า มีการยกเว้นปริมาณที่เพิ่มขึ้นของแบตเตอรี่ 3 ก้อนที่มีพิกัดวัด-ชั่วโมงต่ำกว่าจากข้อบังคับการขนส่งที่กำหนดไว้สำหรับแบตเตอรี่ที่มีพิกัดวัด-ชั่วโมงสูงกว่า

ตัวอย่างเช่น กาลัง Wh สำหรับการขนส่งอาจได้รับการระบุเป็น 3 x 36 Wh ซึ่งหมายความว่าแบตเตอรี่จำนวน 3 ลูกโดยที่แต่ละลูกมีกำลังเท่ากับ 36 Wh การใช้กาลัง Wh อาจได้รับการแสดงเป็น 108 Wh (หมายถึงแบตเตอรี่ 1 ลูก)

ตัวอย่างเครื่องหมายบนฉลากเกี่ยวกับการใช้งานและการขนส่ง



คำแนะนำในการเก็บรักษา

- 1. สถานที่เก็บรักษาอุปกรณ์ที่เหมาะสมที่สุดคือสถานที่ซึ่งแห้งและเย็น ไม่ได้รับแสงอาทิตย์โดยตรง และอุณหภูมิไม่ร้อนหรือเย็นมากเกินไป เพื่อให้ประสิทธิภาพและอายุการใช้งานของแบตเตอรี่ยาวนานสูงสุด ควรเก็บรักษาแบตเตอรี่ในอุณหภูมิห้องเมื่อไม่ใช้งาน
- 2. กรณีเก็บเป็นเวลานาน ให้เก็บแบตเตอรี่ที่ชาร์จเต็มแล้วในสถานที่แห้งและเย็นนอกเครื่องชาร์จ

หมายเหตุ: ไม่ควรเก็บรักษาชุดแบตเตอรี่ในสภาพปราศจากประจุโดยสิ้นเชิง จำเป็นต้องชาร์จแบตเตอรี่ใหม่อีกครั้งก่อนใช้งาน

แผ่นป้ายบนแบตเตอรี่และเครื่องชาร์จ

นอกเหนือจากสัญลักษณ์ภาพที่ใช้ในคู่มือเล่มนี้แล้ว บนเครื่องชาร์จและแบตเตอรี่จะมีสัญลักษณ์ภาพดังต่อไปนี้:



โปรดอ่านคู่มือแนะนำการใช้ก่อนใช้งาน



โปรดดู **ข้อมูลทางเทคนิค** สำหรับเวลาชาร์จ



ห้ามเหยียดด้วยวัตถุที่เป็นตัวนำ



ห้ามชาร์จแบตเตอรี่ที่ชำรุด



ห้ามทำให้แบตเตอรี่เปียกน้ำ



เปลี่ยนสายไฟที่ชำรุดทันที



ชาร์จไฟที่อุณหภูมิระหว่าง 4 °C ถึง 40 °C เท่านั้น



ใช้ภายในอาคารเท่านั้น



โปรดทิ้งแบตเตอรี่อย่างเหมาะสมโดยคำนึงถึงผลกระทบต่อสิ่งแวดล้อม



ชาร์จแบตเตอรี่ DEWALT กับเครื่องชาร์จของ DEWALT ที่กำหนดเท่านั้น การชาร์จแบตเตอรี่ชนิดอื่นนอกเหนือจากแบตเตอรี่ที่ DEWALT กำหนดกับเครื่องชาร์จ DEWALT อาจทำให้เกิดการระเบิดหรือนำไปสู่สถานการณ์ที่เป็นอันตรายอื่นๆ



ห้ามเผาแบตเตอรี่



โหมดการใช้งาน (โดยไม่มีฝาครอบการขนส่ง) ตัวอย่าง: พิกัด Wh ระบุ 108 Wh (แบตเตอรี่ 1 ก้อน โดยมีขนาด 108 Wh)



โหมดการขนส่ง (พร้อมฝาปิดการขนส่งในตัว) ตัวอย่าง: พิกัด Wh ระบุ 3 x 36 Wh (แบตเตอรี่ 3 ก้อน โดยแต่ละก้อนมีขนาด 36 Wh)

ชนิดของแบตเตอรี่

DCF850 ทำงานกับชุดแบตเตอรี่ 18 โวลต์ ชุดแบตเตอรี่ดังกล่าวสามารถใช้ได้กับ: DCB181, DCB182, DCB183, DCB183B, DCB184, DCB184B, DCB185, DCB187, DCB189, DCB203, DCB204, DCB205, DCB240, DCB546, DCB547, DCB548. อ้างอิง ตามข้อมูลทางเทคนิคสำหรับข้อมูลเพิ่มเติม

สิ่งที่อยู่ในบรรจุภัณฑ์

ภายในบรรจุภัณฑ์ประกอบด้วย:

- 1 ไขควงกระแทก
- 1 ที่ชาร์จ
- 1 ก้อนแบตเตอรี่ Li-Ion (รุ่น C1, D1, L1, M1, P1, S1, T1, X1, Y1)
- 2 ก้อนแบตเตอรี่ Li-Ion (รุ่น C2, D2, L2, M2, P2, S2, T2, X2, Y2)
- 3 ก้อนแบตเตอรี่ Li-Ion (รุ่น C3, D3, L3, M3, P3, S3, T3, X3, Y3)
- 1 หัวจับดอกสว่านแบบแม่เหล็ก
- 1 ตะขอแขวน
- 1 กล่องเครื่องมือ
- 1 คู่มือการใช้งาน
- 1 คู่มือการใช้งานแอป Tool Connect™ (รุ่น B)

หมายเหตุ: รุ่น N ไม่มีชุดแบตเตอรี่ ที่ชาร์จ และกล่องเครื่องมือ

- โปรดตรวจหาร่องรอยความเสียหายของเครื่องมือ ชิ้นส่วน หรืออุปกรณ์เสริม ที่อาจเกิดขึ้นในระหว่างการขนส่ง
- โปรดอ่านและทำความเข้าใจคู่มือเล่มนี้ก่อนการใช้งาน

สัญลักษณ์บนเครื่องมือ

รูปภาพต่อไปนี้จะปรากฏบนเครื่องมือ:



โปรดอ่านคู่มือแนะนำการใช้งานก่อนใช้งาน



รังสีที่มองเห็นได้ ห้ามจ้องมองลำแสงโดยตรง

ตำแหน่งของรหัสรุ่น (รูป B)

รหัสรุ่นที่ 14 ซึ่งรวมถึง ปีที่ผลิต จะพิมพ์ไว้บนตัวเครื่อง ตัวอย่างเช่น:

2021 XX XX

ปีและสัปดาห์ของการผลิต

คำอธิบาย (รูป A)



คำเตือน: ห้ามดัดแปลงเครื่องมือไฟฟ้าหรือส่วนประกอบต่างๆ เพราะอาจทำให้เครื่องมือชำรุดหรือได้ขนาดเจ็บได้

- | | |
|--|------------------------------|
| 1 สวิตช์สั่งงาน | |
| 2 ปุ่มควบคุมการเดินหน้า/การถอยหลัง | 3 ปุ่มปลดดอกไขควง |
| 4 หัวจับดอกไขควงกำหนดเหลี่ยมขนาด 6.35 มม | |
| 5 ปุ่มปลดล๊อคแบตเตอรี่ | 9 สกรูจับยึด |
| 6 ชุดแบตเตอรี่ | 10 ด้ามจับหลัก |
| 7 ไฟทำงาน | 11 อุปกรณ์เลือกโหมด |
| 8 ตะขอแขวน (อุปกรณ์เสริม) | 12 แกนจับดอกไขควงแบบแม่เหล็ก |

วัตถุประสงค์ในการใช้งาน

ไขควงกระแทกนี้ได้รับการออกแบบมาสำหรับการใช้งานที่เป็นการไขควงกระแทกแบบมืออาชีพ การกระแทกจะทำให้

เครื่องมือนี้มีประโยชน์โดยเฉพาะอย่างยิ่งสำหรับการขับเคลื่อนเครื่องยึดในไม้ โลหะ และคอนกรีต

ห้ามใช้งาน หากอยู่ในบริเวณที่เปียกชื้นหรือมีของเหลวไวไฟหรือแก๊สอยู่ในบริเวณดังกล่าว

ไขควงกระแทกนี้เป็นเครื่องมือไฟฟ้าสำหรับมืออาชีพ

ห้ามปล่อยให้เด็กสัมผัสกับเครื่องมือ ผู้ใช้ที่ไม่

ประสบการณืมาก่อนต้องได้รับการดูแลในขณะที่ใช้เครื่องมือนี้

- ผู้เยาว์และผู้ที่มีความเชี่ยวชาญ เครื่องมือนี้ไม่ได้มีไว้เพื่อการใช้งานโดยผู้เยาว์หรือผู้ที่มีความเชี่ยวชาญ โดยไม่มีการควบคุมดูแล
- เครื่องมือนี้ไม่ได้มีไว้เพื่อการใช้งานโดยบุคคล (ซึ่งรวมถึงผู้เยาว์) ที่มีความบกพร่องทางร่างกาย ทางกรับความรู้สึก หรือทางจิตประสาท หรือขาดประสบการณ์ ความรู้ และทักษะ เว้นเสียแต่จะได้รับการควบคุมดูแลหรือคำแนะนำการใช้เครื่องมือโดยผู้ที่รับผิดชอบต่อความปลอดภัยของบุคคลเหล่านั้น ห้ามปล่อยผู้เยาว์ไว้กับเครื่องมือนี้ตามลำพัง

การประกอบและการปรับแต่ง



คำเตือน: เพื่อลดความเสี่ยงจากการได้รับบาดเจ็บรุนแรง ต้องปิดเครื่องมือและถอดปลั๊กออกจากแหล่งจ่ายไฟก่อนทำการปรับตั้ง หรือทำการถอด/ติดตั้งอุปกรณ์ยึดติดหรืออุปกรณ์เสริมใดๆ ทุกครั้ง การเผลอเปิดเครื่องโดยไม่ได้ตั้งใจอาจเป็นสาเหตุให้เกิดการบาดเจ็บได้



คำเตือน: ใช้แบตเตอรี่และเครื่องชาร์จของ DEWALT เท่านั้น

การใส่และถอดก้อนแบตเตอรี่ออกจากเครื่องมือ (รูป B)

หมายเหตุ: ต้องตรวจให้แน่ใจว่าแบตเตอรี่แพ็ค 6 ของคุณชาร์จจนเต็มแล้ว

ในการติดตั้งชุดแบตเตอรี่ลงในที่จับเครื่องมือ

1. จัดแนวแบตเตอรี่ 6 ให้ตรงกับรางด้านในที่จับของเครื่องมือ (รูป B)
2. เลื่อนเข้าไปในที่จับจนกระทั่งก้อนแบตเตอรี่ฝังอยู่ในเครื่องมืออย่างแน่นสนิท และเพื่อความแน่ใจ คุณจะได้ยินเสียงล๊อคล๊อคเข้าที่

วิธีการถอดแบตเตอรี่ออกจากเครื่องมือ

1. กดปุ่มปลดล๊อค 5 และดึงแบตเตอรี่ออกจากมือจับเครื่องมืออย่างมีกำลัง
2. ใส่ก้อนแบตเตอรี่ลงในเครื่องชาร์จตามที่ได้อธิบายไว้ในส่วนของเครื่องชาร์จของคู่มือนี้

ขดมาตรัดพลังงานแบตเตอรี่ (รูป B)

แบตเตอรี่ของ DEWALT บางรุ่นมีมาตรัดพลังงานซึ่งประกอบด้วยไฟ LED สีเขียวสามดวงที่จะระบุระดับประจุที่เหลืออยู่ในก้อนแบตเตอรี่

เพื่อกระด้นมาตรวจพลังงาน 13 กดปุ่มมาตรวจวัดค้างไว้ ไฟ LED สีเขียวสามดวงที่รวมตัวกันจะส่องสว่างเพื่อกำหนดระดับประจุที่เหลือเมื่อระดับประจุไฟฟ้าในแบตเตอรี่ต่ำกว่าขีดจำกัดที่ใช้งานได้ มาตรฐานจะไม่ติดและต้องทำการชาร์จแบตเตอรี่ใหม่

หมายเหตุ: มาตรวจพลังงานเป็นเพียงการบ่งบอกถึงประจุที่เหลืออยู่ในก้อนแบตเตอรี่ซึ่งไม่ได้บ่งบอกถึงการทำงานของเครื่องมือ และอาจมีการเปลี่ยนแปลงตามส่วนประกอบของผลิตภัณฑ์ อุณหภูมิและการใช้งานของผู้ใช้

ตะขอแขวนและหัวจับดอกไขควงแบบแม่เหล็ก (รูป A)

! **คำเตือน:** เพื่อเป็นการลดความเสี่ยงของการบาดเจ็บส่วนบุคคลร้ายแรง คุณจะต้องปิดเครื่องมือและตัดการเชื่อมต่อชุดแบตเตอรี่ก่อนที่จะทำการปรับแต่งหรือก่อนที่จะถอด/ใส่อุปกรณ์ต่อพ่วงหรืออุปกรณ์เสริม

! **คำเตือน:** เพื่อเป็นการลดความเสี่ยงของการบาดเจ็บส่วนบุคคลร้ายแรง ห้ามไม่ให้คุณแขวนเครื่องมือไว้ที่เหนือศีรษะ หรือแขวนวัตถุต่างๆ จากตะขอแขวน ตะขอเฉพาะตะขอแขวนของเครื่องมือจากสายพานทำงานเท่านั้น

! **คำเตือน:** ตรวจสอบให้แน่ใจว่า สกรูที่ยึดตะขอเกี่ยวมีความแน่นหนาเพื่อลดความเสี่ยงจากการบาดเจ็บส่วนบุคคลร้ายแรง

สำคัญ: เมื่อจะใส่หรือเปลี่ยนตะขอแขวนหรือหัวจับดอกไขควงแบบแม่เหล็ก คุณจะต้องใช้เฉพาะสกรู 9 ที่ให้มาเท่านั้น และตรวจสอบให้แน่ใจว่า คุณได้ขันสกรูจนแน่น คุณสามารถใส่ตะขอแขวน 8 และหัวจับดอกไขควงแบบแม่เหล็ก 12 เข้ากับด้านใดด้านหนึ่งของเครื่องมือได้โดยใช้เฉพาะสกรู 9 ที่ให้มาเท่านั้นเพื่อบำรุงความสะดวกให้แก่ผู้ใช้ที่ถนัดมือซ้ายหรือมือขวา หากคุณไม่ต้องการใช้ตะขอหรือหัวจับดอกไขควงแบบแม่เหล็ก คุณสามารถถอดตะขอหรือหัวจับดอกไขควงแบบแม่เหล็กออกจากเครื่องมือได้ หากต้องการถอดตะขอแขวนหรือหัวจับดอกไขควงแบบแม่เหล็กออก คุณจะต้องถอดสกรู 9 ที่ยึดตะขอแขวนหรือหัวจับดอกไขควงแบบแม่เหล็กอยู่ จากนั้นจึงประกอบกลับในด้านตรงข้าม และตรวจสอบให้แน่ใจว่า คุณได้ขันสกรูจนแน่น

การใช้งาน

วิธีการใช้เครื่องมือ

! **คำเตือน:** ทำตามคำแนะนำด้านความปลอดภัยและข้อกำหนดที่บังคับใช้เสมอ

! **คำเตือน:** เพื่อลดความเสี่ยงจากการได้รับบาดเจ็บรุนแรง ต้องปิดเครื่องมือและถอดปลั๊กออกจากแหล่งจ่ายไฟก่อนทำการปรับตั้ง หรือถอด/ติดตั้งอุปกรณ์ยึดติดหรืออุปกรณ์เสริมใดๆ ทุกครั้ง การเผลอเปิดเครื่องโดยไม่ตั้งใจอาจเป็นสาเหตุให้เกิดการบาดเจ็บได้

ตำแหน่งการจับที่เหมาะสม (รูป A, C)

! **คำเตือน:** เพื่อลดความเสี่ยงจากการได้รับบาดเจ็บสาหัส ให้จับเครื่องมือในตำแหน่งที่ถูกต้องดังแสดงในภาพเสมอ

! **คำเตือน:** เพื่อเป็นการลดความเสี่ยงของการบาดเจ็บส่วนบุคคลร้ายแรง คุณจะต้องถือเครื่องมือให้มั่นคงและพร้อมตั้งรับปฏิกิริยาเฉื่อยพลันอยู่เสมอ

ในการวางตำแหน่งมือที่เหมาะสม คุณจะต้องวางมือข้างหนึ่งไว้ที่ตามจับหลัก 10

สวิตซ์สั่งงานความเร็วรอบ (รูป A)

เมื่อต้องการเปิดเครื่องมือ ให้คุณกดสวิตซ์สั่งงานความเร็วรอบ 1 หากต้องการปิดเครื่องมือ ให้คุณปล่อยสวิตซ์สั่งงานเครื่องมือของคุณได้รับการติดตั้งมาพร้อมกับเบรค หัวจับดอกสว่านจะหยุดทำงานทันทีเมื่อคุณปล่อยสวิตซ์สั่งงานจนสุด

สวิตซ์ความเร็วรอบจะช่วยให้คุณเลือกความเร็วที่ดีที่สุดสำหรับการใช้งานที่เฉพาะเจาะจงได้ ยิ่งคุณบีบสวิตซ์สั่งงานมากเท่าใด เครื่องมือก็จะยิ่งทำงานรวดเร็วมากขึ้นเท่านั้น ทั้งนี้ คุณควรใช้ความเร็วรอบในการเริ่มต้นหรือเครื่องยึดเท่านั้นเพื่ออายุการใช้งานสูงสุดของเครื่องมือ

หมายเหตุ: ไม่แนะนำให้คุณใช้ที่สวิตซ์ความเร็วรอบอย่างต่อเนื่อง การทำเช่นนั้นอาจทำให้สวิตซ์เสียหายได้ และเป็นสิ่งที่จะต้องหลีกเลี่ยง

ปุ่มควบคุมการเดินหน้า/การถอยหลัง (รูป A)

ปุ่มควบคุมการเดินหน้า/การถอยหลัง 2 จะกำหนดทิศทางของเครื่องมือ และจะทำหน้าที่เป็นปุ่มล็อคเช่นกัน

หากต้องการเลือกการหมุนแบบเดินหน้า ให้คุณปล่อยสวิตซ์สั่งงาน 1 และกดปุ่มควบคุมการเดินหน้า/การถอยหลัง 2 ทางด้านขวาของเครื่องมือ

หากต้องการเลือกการหมุนแบบถอยหลัง ให้คุณปล่อยสวิตซ์สั่งงาน 1 และกดปุ่มควบคุมการเดินหน้า/การถอยหลัง 2 ทางด้านซ้ายของเครื่องมือ ตำแหน่งตรงกลางของปุ่มควบคุมจะล็อคเครื่องมือให้อยู่ในตำแหน่งปิดเครื่องมือ เมื่อทำการเปลี่ยนตำแหน่งของปุ่มควบคุม คุณจะต้องตรวจสอบให้แน่ใจว่า คุณได้ปล่อยสวิตซ์สั่งงานแล้ว

หมายเหตุ: ในครั้งแรกที่ใช้งานเครื่องมือหลังจากที่เปลี่ยนทิศทางของการหมุน คุณอาจจะได้ยินเสียงดังกรึกในตอนเริ่มต้น เรื่องดังกล่าวถือเป็นเรื่องปกติ และไม่ได้แสดงถึงปัญหาแต่อย่างใด

ไฟทำงาน (รูป A)

มีไฟทำงานสามดวง 7 อยู่ที่รอบหัวสว่านหกเหลี่ยมขนาด 6.35 มม 4 ไฟทำงานดังกล่าวจะถูกเปิดใช้งานเมื่อสวิตซ์สั่งงานถูกกด

เมื่อปล่อยสวิตซ์สั่งงานแล้ว ไฟทำงานจะยังคงสว่างต่อไปอีก 20 วินาที

หมายเหตุ: ไฟทำงานมีไว้สำหรับการให้แสงสว่างแก่ผิวหน้าของงาน และไม่ได้มีเจตนาในการใช้เป็นไฟฉาย

อุปกรณ์เลือกโหมด (รูป A, D)

เครื่องมือของคุณได้รับการติดตั้งมาพร้อมกับอุปกรณ์เลือกโหมด 11 ซึ่งจะช่วยให้คุณ สามารถเลือกโหมดใดโหมดหนึ่งจากสามโหมดได้ เลือกโหมดตามการใช้งาน และความคมความเร็วของเครื่องมือโดยใช้สวิตซ์ซึ่งงานความเร็วยุโรป 1

โหมด Precision Drive (รูป D)

นอกเหนือจากโหมดการกระแทกตามปกติแล้ว เครื่องมือนี้ยังมีโหมด Precision Drive ซึ่งจะช่วยให้คุณ สามารถควบคุมการใช้งานที่มากกว่าได้ดียิ่งขึ้นเพื่อหลีกเลี่ยงความเสียหายที่เกิดกับวัสดุหรือเครื่องยึด โหมดนี้เหมาะสมเป็นอย่างดีสำหรับการใช้งานแบบเบาๆ เช่น สกรูบานพับตู้หรือสกรูเครื่องจักร โหมด Precision Drive จะทำงานเป็นไขควงในการใช้งานแบบเบาๆ เมื่อหัวสกรูไปถึงชิ้นงาน จากนั้น (หากมีความต้องการ) จะเริ่มต้นทำการกระแทกอย่างช้าๆ ตามที่มีการควบคุมเพื่อให้แน่ใจได้ว่าปลายของหัวสกรูจะได้รับการกดลงอย่างเหมาะสม

หมายเหตุ: โหมดนี้เหมาะสำหรับการใช้งานที่เป็นการไขควงแบบเบาๆ หากเครื่องมือไม่สามารถขันสกรูต่อไปได้ในโหมด Precision Drive โปรดเลือกโหมด 2 ซึ่งจะเพิ่มกำลังเพิ่มขึ้นตามที่ต้องการ

DCF850

โหมด 1	โหมด Precision Drive	rpm	0-1000
โหมด 2	การกระแทกตามปกติ	rpm	0-2800
โหมด 3	การกระแทกความเร็วสูง	rpm	0-3250

หัวส่วนແປລดเร็ว (รูป A, E, F)

! **คำเตือน:** ใช้เฉพาะอุปกรณ์เสริมสำหรับการกระแทกเท่านั้น อุปกรณ์เสริมที่ไม่ใช่สำหรับการกระแทกอาจแตกหักและก่อให้เกิดสภาวะที่เป็นอันตรายได้ ตรวจสอบอุปกรณ์เสริมก่อนที่จะใช้งานเพื่อให้แน่ใจได้ว่าอุปกรณ์เสริมไม่มีรอยแตกใดๆ

หมายเหตุ: หัวส่วนสามารถใช้ได้กับอุปกรณ์เสริมแบบหกเหลี่ยมขนาด 6.35 มม. เท่านั้น

วางปุ่มเดินหน้า/ถอยหลัง 2 ไว้ในตำแหน่งล็อก (ตรงกลาง) หรือถอดชุดแบตเตอรี่ออกก่อนที่จะเปลี่ยนอุปกรณ์เสริม

หากต้องการใส่อุปกรณ์เสริม คุณจะต้องใส่อุปกรณ์เสริมจนสุด อุปกรณ์เสริมจะถูกล็อกเข้าที่ (รูป E)

หากต้องการถอดอุปกรณ์เสริม คุณจะต้องดึงปลอกส่วน 3 ออกจากด้านหน้าของเครื่องมือ และถอดอุปกรณ์เสริม (รูป F)

การใช้งาน

เครื่องมือกระแทกของคุณจะสร้างแรงบิดสูงสุดดังต่อไปนี้:

Cat #	Nm
DCF850	205

! **ข้อควรระวัง:** ตรวจสอบให้แน่ใจว่า เครื่องยึดและ/หรือระบบจะสามารถต้านทานระดับของแรงบิดที่เกิดจากเครื่องมือได้ แรงบิดที่มากเกินไปอาจทำให้เกิดการแตกหักและการบาดเจ็บส่วนบุคคลได้

- ใส่อุปกรณ์เสริมเข้าไปในหัวส่วน เครื่องมือจะต้องชี้ตรงไปที่ชิ้นงานอยู่เสมอ
- กดสวิตซ์เพื่อเริ่มต้นการทำงาน และปล่อยสวิตซ์เพื่อหยุดการทำงาน หมั่นตรวจสอบแรงบิดโดยใช้ประแจวัดแรงบิดอยู่เสมอเนื่องจากแรงบิดติดตั้งตัวจะได้รับผลกระทบจากปัจจัยหลายประการรวมถึง:
 - แรงดันไฟฟ้า: แรงดันไฟฟ้าต่ำเนื่องจากแบตเตอรี่ใกล้หมดจะลดแรงบิดติดตั้งตัว
 - ขนาดของเด้ารับ: การใช้ขนาดเด้ารับที่ไม่ถูกต้องจะทำให้แรงบิดติดตั้งตัวลดลง
 - ขนาดของสลัก: โดยทั่วไปนั้น ขนาดเส้นผ่านศูนย์กลางของสลักที่มากกว่าจะต้องใช้แรงบิดติดตั้งตัวสูงกว่า แรงบิดติดตั้งตัวจะแตกต่างกันออกไปตามความยาว เกรด และลิ่มประสิทธ์แรงบิด
 - สลัก: ตรวจสอบให้แน่ใจว่า เกลียวทั้งหมดปราศจากสนิมหรือเศษอื่นๆ เพื่อให้ได้แรงบิดติดตั้งตัวที่เหมาะสม
 - วัสดุ: ประเภทของวัสดุและการเคลือบผิวของวัสดุจะส่งผลกระทบต่อแรงบิดติดตั้งตัว
 - เวลาของการขัน: เวลาของการขันที่นานขึ้นจะส่งผลให้แรงบิดติดตั้งตัวเพิ่มขึ้น การใช้เวลานานเกินไปจากที่แนะนำจะทำให้เครื่องมือเกิดความเค้นมากเกินไป สึกขาด หรือเสียหายได้

การบำรุงรักษา

เครื่องมือไฟฟ้า DEWALT ออกแบบมาเพื่อให้สามารถใช้งานได้อย่างยาวนานโดยมีการบำรุงรักษาที่น้อยที่สุด การทำงานที่สร้างความพึงพอใจอย่างต่อเนื่องจะขึ้นอยู่กับการดูแลรักษาที่เหมาะสมและการทำความสะอาดอย่างสม่ำเสมอ

! **คำเตือน:** เพื่อลดความเสี่ยงจากการได้รับบาดเจ็บรุนแรง ต้องปิดเครื่องมือและถอดปลั๊กออกจากแหล่งจ่ายไฟก่อนทำการปรับตั้ง หรือถอด/ติดตั้งอุปกรณ์ยึดติดหรืออุปกรณ์เสริมใดๆ ทุกครั้ง การเผลอเปิดเครื่องมือโดยไม่ตั้งใจอาจเป็นสาเหตุให้เกิดการบาดเจ็บได้

เครื่องมือชาร์จและชุดแบตเตอรี่ไม่สามารถซ่อมแซมได้



การหล่อลื่น

ไม่จำเป็นต้องใช้การหล่อลื่นเพิ่มเติมกับเครื่องมือไฟฟ้านี้



การทำความสะอาด

! **คำเตือน:** หมั่นเป่าสิ่งสกปรกและฝุ่นละอองที่สะสมออกจากตัวเครื่องเป็นประจำด้วยลมแห้ง เนื่องจาก

สิ่งสกปรกมักสะสมอยู่ภายในและรอบๆ ช่องระบายอากาศ สวมอุปกรณ์ป้องกันดวงตาและหน้ากากกันฝุ่นที่ได้มาตรฐานในขณะที่ดำเนินการขั้นตอนนี้



คำเตือน: ห้ามใช้สารที่เป็นตัวทำละลายหรือสารเคมีที่มีฤทธิ์กัดกร่อนรุนแรงอื่นๆ ทำความสะอาดชิ้นส่วนที่ไม่ใช่โลหะของเครื่องมือ สารเคมีเหล่านี้อาจส่งผลกระทบต่อผู้ใช้ในชิ้นส่วนเหล่านี้ ใช้เฉพาะผ้าขุบน้ำสบู่อ่อนๆ เท่านั้น อย่าให้มีของเหลวใดๆ เข้าไปในเครื่องมือหรือเด็ดขาด ห้ามจุ่มส่วนใดๆ ของเครื่องมือลงในของเหลวเด็ดขาด

อุปกรณ์เสริม



คำเตือน: เนื่องจากอุปกรณ์เสริมอื่นนอกเหนือจากที่ DEWALT มีจำหน่ายไม่ได้ผ่านการทดสอบร่วมกับผลิตภัณฑ์นี้ จึงอาจเป็นอันตรายหากใช้อุปกรณ์เสริมดังกล่าวร่วมกับเครื่องมือนี้ เพื่อเป็นการลดความเสี่ยงจากการได้รับบาดเจ็บ ให้ใช้อุปกรณ์เสริมเฉพาะที่ DEWALT แนะนำให้ใช้ร่วมกับผลิตภัณฑ์นี้เท่านั้น



คำเตือน: ใช้เฉพาะอุปกรณ์เสริมสำหรับการกระแทกเท่านั้น อุปกรณ์เสริมที่ไม่ใช่สำหรับการกระแทกอาจแตกหักและก่อให้เกิดสภาวะที่เป็นอันตรายได้ ตรวจสอบอุปกรณ์เสริมก่อนที่จะใช้งานเพื่อให้แน่ใจได้ว่าอุปกรณ์เสริมไม่มีรอยแตกใดๆ

โปรดติดต่อตัวแทนจำหน่ายหากต้องการข้อมูลเพิ่มเติมเกี่ยวกับอุปกรณ์เสริมที่เหมาะสม

การปกป้องสิ่งแวดล้อม



การเก็บรวบรวมแบบคัดแยก ห้ามทิ้งผลิตภัณฑ์และแบตเตอรี่ที่มีสัญลักษณ์นี้รวมกับขยะในครัวเรือนปกติ

ผลิตภัณฑ์และแบตเตอรี่ประกอบด้วยวัสดุที่สามารถนำกลับมาใช้ใหม่หรือรีไซเคิลได้เพื่อลดความต้องการวัตถุดิบ โปรดรีไซเคิลอุปกรณ์ไฟฟ้าและแบตเตอรี่ตามข้อบังคับในท้องถิ่น ดูข้อมูลเพิ่มเติมได้ที่ www.2helpU.com

ชุดแบตเตอรี่แบบชาร์จซ้ำได้

แบตเตอรี่ที่มีอายุการใช้งานยาวนานนี้จำเป็นต้องรับการชาร์จไฟใหม่เมื่อไม่สามารถจ่ายพลังงานเพียงพอสำหรับการทำงานซึ่งเคยทำได้โดยง่าย เมื่อแบตเตอรี่หมดอายุการทำงานทางด้านเทคนิคแล้ว ให้นำแบตเตอรี่ไปกำจัดทิ้งโดยคำนึงถึงผลกระทบต่อสิ่งแวดล้อม:

- ใช้แบตเตอรี่ให้หมดเกลี้ยง จากนั้นถอดแบตเตอรี่ออกจากร่างมือ
- แบตเตอรี่ลิเทียมไอออนสามารถรีไซเคิลได้ โปรดนำไปที่ตัวแทนจำหน่ายหรือสถานีรีไซเคิลในพื้นที่ของคุณ ชุดแบตเตอรี่ที่เรารวบรวมได้จะนำไปรีไซเคิลหรือกำจัดอย่างเหมาะสมต่อไป

บริการหลังการขายและการซ่อมแซมผลิตภัณฑ์

ศูนย์บริการ DEWALT ของเราประกอบไปด้วยบุคลากรที่ได้รับการฝึกอบรมมาเป็นอย่างดีในการให้บริการผลิตภัณฑ์ที่มีประสิทธิภาพและไว้วางใจได้แก่ลูกค้า อย่างไรก็ตามเราจะไม่รับผิดชอบใดๆ หากคุณซ่อมแซมผลิตภัณฑ์กับศูนย์บริการที่ไม่ได้รับการอนุญาตจากเรา คุณสามารถดูที่ตั้งของศูนย์ติดต่อได้จากแผนผังในบรรจุภัณฑ์ของผลิตภัณฑ์และติดต่อเราได้ผ่านสายด่วน เว็บไซต์หรือโซเชียลมีเดียเพื่อค้นหาศูนย์บริการ DEWALT ซึ่งอยู่ใกล้คุณมากที่สุด

