

DEWALT®

XR®

www.DEWALT.com

DCF403

DCF414

English (*original instructions*)

3

简体中文

12

Fig. A
图A

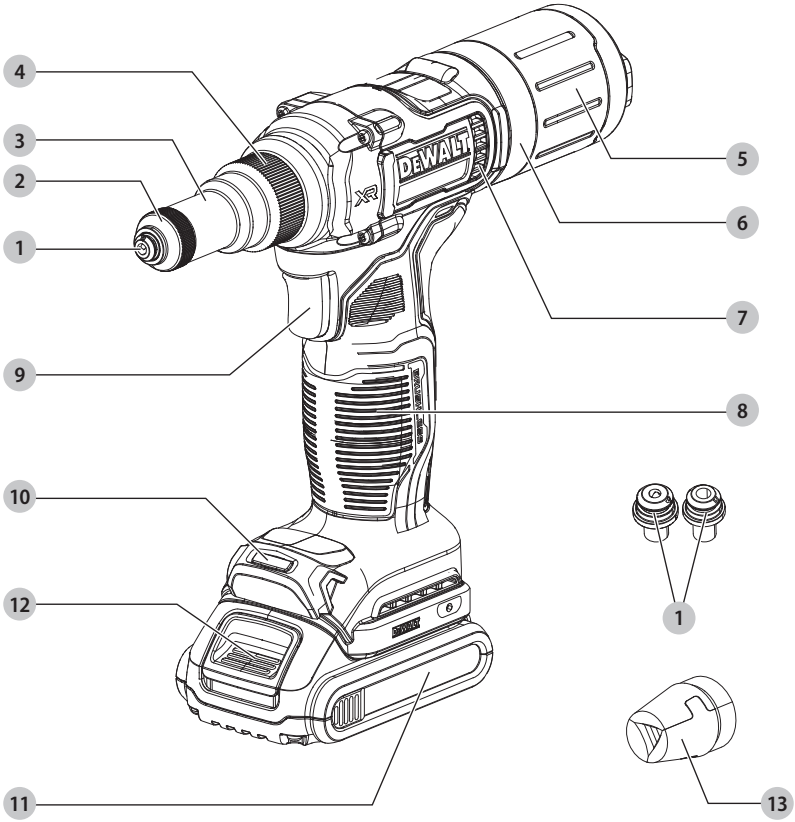


Fig. B
图B

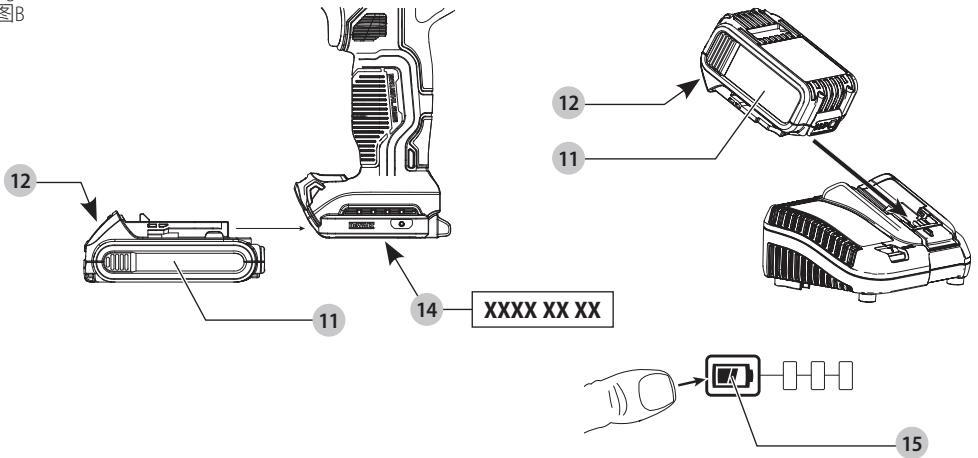


Fig. C
图C

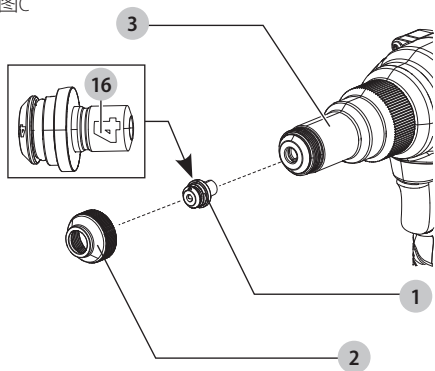


Fig. D
图D

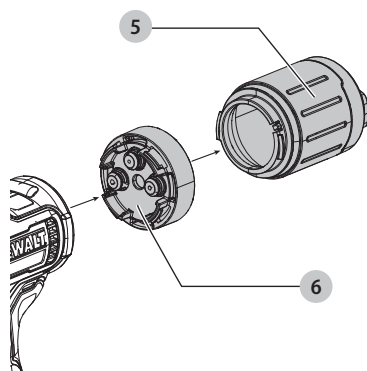


Fig. E

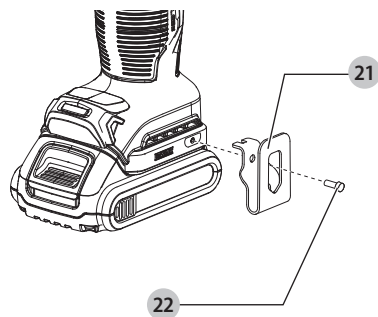


Fig. F
图F

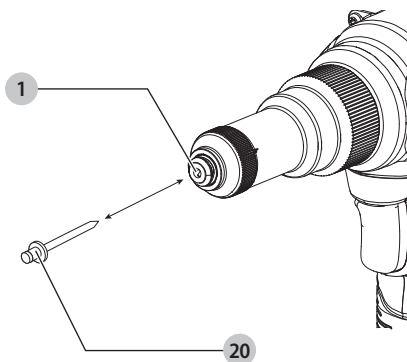


Fig. G
图G

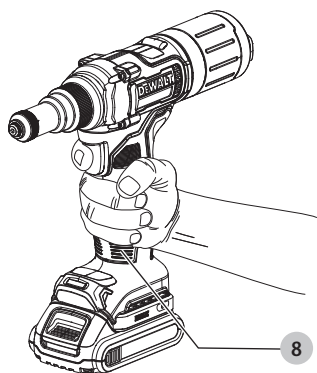
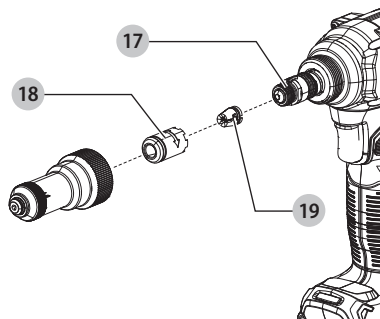


Fig. H
图H



RIVET TOOLS

DCF403, DCF414

Congratulations!

You have chosen a DeWALT tool. Years of experience, thorough product development and innovation make DeWALT one of the most reliable partners for professional power tool users.

Technical Data

		DCF403	DCF414
Voltage	V _{DC}	18 (20 Max)	18 (20 Max)
Battery type		Li-Ion	Li-Ion
Weight (without battery pack)	kg	1.65	1.65

Batteries				Chargers / Charge Times (Minutes)***							
Cat#	V _{DC}	Ah	Weight(kg)	DCB104	DCB107	DCB112 DCB1102	DCB115 DCB1104	DCB117 DCB1112	DCB118	DCB132	
DCB546/DCB606	18/54 (20/60 Max)	6.0/2.0	1.08	60	270	170	90	40	60	90	
DCB547/DCB609/DCB609G	18/54 (20/60 Max)	9.0/3.0	1.46	75*	420	270	135*	60	75*	135*	
DCB548/DCB612	18/54 (20/60 Max)	12.0/4.0	1.46	120	540	350	180	80	120	180	
DCB549/DCB615	18/54 (20/60 Max)	15.0/5.0	2.12	125	730	450	230	90	125	230	
DCB180	18 (20 Max)	3.0	0.62	45	140	90	45	45	45	45	
DCB181	18 (20 Max)	1.5	0.35	22	70	45	22	22	22	22	
DCB182/DCB204	18 (20 Max)	4.0	0.61	60/40**	185	120	60	60/40**	60/40**	60	
DCB183/DCB203	18 (20 Max)	2.0	0.40	30	90	60	30	30	30	30	
DCB184/DCB184G/DCB205	18 (20 Max)	5.0	0.62	75/50**	240	150	75	75/50**	75/50**	75	
DCB187	18 (20 Max)	3.0	0.54	45	140	90	45	45	45	45	
DCB189/DCB240	18 (20 Max)	4.0	0.54	60	185	120	60	60	60	60	
DCB186	18 (20 Max)	6.0	0.95	60	270	170	90	60	60	90	
DCB208	18 (20 Max)	8.0	0.95	70	360	240	120	70	70	120	
DCBP034	18 (20 Max)	1.7	0.32	27	82	50	27	27	27	27	
DCBP520	18 (20 Max)	5.0	0.75	75/50**	240	150	75	75/50**	75/50**	75	

*Date code 201811475B or later

**Date code 201536 or later

***Battery charge times matrix provided for guidance only; charge times will vary depending on temperature and condition of batteries.



WARNING: To reduce the risk of injury, read the instruction manual.

Definitions: Safety Guidelines

The definitions below describe the level of severity for each signal word. Please read the manual and pay attention to these symbols.



DANGER: Indicates an imminently hazardous situation which, if not avoided, **will** result in **death or serious injury**.



WARNING: Indicates a potentially hazardous situation which, if not avoided, **could** result in **death or serious injury**.



CAUTION: Indicates a potentially hazardous situation which, if not avoided, **may** result in **minor or moderate injury**.

NOTICE: Indicates a practice **not related to personal injury** which, if not avoided, **may** result in **property damage**.



Denotes risk of electric shock.



Denotes risk of fire.

GENERAL POWER TOOL SAFETY WARNINGS



WARNING: Read all safety warnings, instructions, illustrations and specifications provided with this power tool. Failure to follow all instructions listed below may result in electric shock, fire and/or serious injury.

**SAVE ALL WARNINGS AND INSTRUCTIONS
FOR FUTURE REFERENCE**

The term “power tool” in the warnings refers to your mains-operated (corded) power tool or battery-operated (cordless) power tool.

1) Work Area Safety

- a) **Keep work area clean and well lit.** Cluttered or dark areas invite accidents.
- b) **Do not operate power tools in explosive atmospheres, such as in the presence of flammable liquids, gases or dust.** Power tools create sparks which may ignite the dust or fumes.
- c) **Keep children and bystanders away while operating a power tool.** Distractions can cause you to lose control.

2) Electrical Safety

- a) **Power tool plugs must match the outlet. Never modify the plug in any way. Do not use any adapter plugs with earthed (grounded) power tools.**
Unmodified plugs and matching outlets will reduce risk of electric shock.
- b) **Avoid body contact with earthed or grounded surfaces, such as pipes, radiators, ranges and refrigerators.** There is an increased risk of electric shock if your body is earthed or grounded.
- c) **Do not expose power tools to rain or wet conditions.** Water entering a power tool will increase the risk of electric shock.
- d) **Do not abuse the cord. Never use the cord for carrying, pulling or unplugging the power tool. Keep cord away from heat, oil, sharp edges or moving parts.** Damaged or entangled cords increase the risk of electric shock.
- e) **When operating a power tool outdoors, use an extension cord suitable for outdoor use.** Use of a cord suitable for outdoor use reduces the risk of electric shock.
- f) **If operating a power tool in a damp location is unavoidable, use a residual current device (RCD) protected supply.** Use of an RCD reduces the risk of electric shock.

3) Personal Safety

- a) **Stay alert, watch what you are doing and use common sense when operating a power tool. Do not use a power tool while you are tired or under the influence of drugs, alcohol or medication.** A moment of inattention while operating power tools may result in serious personal injury.
- b) **Use personal protective equipment. Always wear eye protection.** Protective equipment such as a dust mask, non-skid safety shoes, hard hat or hearing protection used for appropriate conditions will reduce personal injuries.
- c) **Prevent unintentional starting. Ensure the switch is in the off position before connecting to power source and/or battery pack, picking up or carrying the tool.** Carrying power tools with your finger on the switch or energising power tools that have the switch on invites accidents.
- d) **Remove any adjusting key or wrench before turning the power tool on.** A wrench or a key left attached

to a rotating part of the power tool may result in personal injury.

- e) **Do not overreach. Keep proper footing and balance at all times.** This enables better control of the power tool in unexpected situations.
- f) **Dress properly. Do not wear loose clothing or jewellery. Keep your hair and clothing away from moving parts.** Loose clothes, jewellery or long hair can be caught in moving parts.
- g) **If devices are provided for the connection of dust extraction and collection facilities, ensure these are connected and properly used.** Use of dust collection can reduce dust-related hazards.
- h) **Do not let familiarity gained from frequent use of tools allow you to become complacent and ignore tool safety principles.** A careless action can cause severe injury within a fraction of a second.

4) Power Tool Use and Care

- a) **Do not force the power tool. Use the correct power tool for your application.** The correct power tool will do the job better and safer at the rate for which it was designed.
- b) **Do not use the power tool if the switch does not turn it on and off.** Any power tool that cannot be controlled with the switch is dangerous and must be repaired.
- c) **Disconnect the plug from the power source and/or remove the battery pack, if detachable, from the power tool before making any adjustments, changing accessories, or storing power tools.** Such preventive safety measures reduce the risk of starting the power tool accidentally.
- d) **Store idle power tools out of the reach of children and do not allow persons unfamiliar with the power tool or these instructions to operate the power tool.**
Power tools are dangerous in the hands of untrained users.
- e) **Maintain power tools and accessories. Check for misalignment or binding of moving parts, breakage of parts and any other condition that may affect the power tool's operation. If damaged, have the power tool repaired before use.** Many accidents are caused by poorly maintained power tools.
- f) **Keep cutting tools sharp and clean.** Properly maintained cutting tools with sharp cutting edges are less likely to bind and are easier to control.
- g) **Use the power tool, accessories and tool bits, etc. in accordance with these instructions, taking into account the working conditions and the work to be performed.** Use of the power tool for operations different from those intended could result in a hazardous situation.
- h) **Keep handles and grasping surfaces dry, clean and free from oil and grease.** Slippery handles and grasping surfaces do not allow for safe handling and control of the tool in unexpected situations.

5) Battery Tool Use and Care

- a) **Recharge only with the charger specified by the manufacturer.** A charger that is suitable for one type

of battery pack may create a risk of fire when used with another battery pack.

- b) **Use power tools only with specifically designated battery packs.** Use of any other battery packs may create a risk of injury and fire.
- c) **When battery pack is not in use, keep it away from other metal objects, like paper clips, coins, keys, nails, screws or other small metal objects, that can make a connection from one terminal to another.** Shorting the battery terminals together may cause burns or a fire.
- d) **Under abusive conditions, liquid may be ejected from the battery; avoid contact. If contact accidentally occurs, flush with water. If liquid contacts eyes, additionally seek medical help.** Liquid ejected from the battery may cause irritation or burns.
- e) **Do not use a battery pack or tool that is damaged or modified.** Damaged or modified batteries may exhibit unpredictable behaviour resulting in fire, explosion or risk of injury.
- f) **Do not expose a battery pack or tool to fire or excessive temperature.** Exposure to fire or temperature above 130 °C may cause explosion.
- g) **Follow all charging instructions and do not charge the battery pack or tool outside the temperature range specified in the instructions.** Charging improperly or at temperatures outside the specified range may damage the battery and increase the risk of fire.

6) Service

- a) **Have your power tool serviced by a qualified repair person using only identical replacement parts.** This will ensure that the safety of the power tool is maintained.
- b) **Never service damaged battery packs.** Service of battery packs should only be performed by the manufacturer or authorised service providers.

Riveter Safety Warnings



WARNING: Never modify the power tool or any part of it. Damage or personal injury could result.



WARNING: ALWAYS use safety glasses. Everyday eyeglasses are NOT safety glasses. **ALWAYS WEAR CERTIFIED SAFETY EQUIPMENT:**

- **Do not work without a collection container.** Mandrels are ejected to the rear by the riveter and can cause injuries.
- **Do not point the riveter at persons or yourself during operation and do not work without material to be riveted.** The blind rivet can be ejected from the riveter and cause injuries.
- **After the riveting process is completed tilt the unit backwards, so that the residual mandrels fall into the collection container.**
- **Ventilation slots for the engine must not be covered; do not insert any objects into them.** Damage or personal injury could result.
- **When not in use, place tool on its side on a stable surface where it will not cause a tripping or falling hazard.** Some

tools with large battery packs will stand upright on the battery pack but may be easily knocked over.

- **Disconnect the power tool from the power supply/battery if it cannot be switched off. Do not use the power tool if it cannot be switched on and off with the switch.** Any power tool that cannot be controlled with the switch is dangerous and must be repaired.

Residual Risks

In spite of the application of the relevant safety regulations and the implementation of safety devices, certain residual risks cannot be avoided. These are:

- Impairment of hearing.
- Risk of personal injury due to flying particles.
- Risk of burns due to accessories becoming hot during operation.
- Risk of personal injury due to prolonged use.

SAVE THESE INSTRUCTIONS

Chargers

DeWALT chargers require no adjustment and are designed to be as easy as possible to operate.

Electrical Safety

The electric motor has been designed for one voltage only. Always check that the battery pack voltage corresponds to the voltage on the rating plate. Also make sure that the voltage of your charger corresponds to that of your mains.



Your DeWALT charger is double insulated in accordance with IEC60335; therefore, no earth wire is required.

If the supply cord is damaged, it must be replaced only by DeWALT or an authorised service organisation.

Using an Extension Cable

An extension cord should not be used unless absolutely necessary. Use an approved extension cable suitable for the power input of your charger (refer to **Technical Data**). The minimum conductor size is 1 mm²; the maximum length is 30 m. When using a cable reel, always unwind the cable completely.

Important Safety Instructions for All Battery Chargers

SAVE THESE INSTRUCTIONS: This manual contains important safety and operating instructions for compatible battery chargers (refer to **Technical Data**). Before using charger, read all instructions and cautionary markings on charger, battery pack, and product using battery pack.



WARNING: Shock hazard. Do not allow any liquid to get inside charger. Electric shock may result.



WARNING: We recommend the use of a residual current device with a residual current rating of 30 mA or less.



CAUTION: Burn hazard. To reduce the risk of injury, charge only DeWALT rechargeable batteries. Other types of batteries may burst, causing personal injury and damage.



CAUTION: Children should be supervised to ensure that they do not play with the appliance.

NOTICE: Under certain conditions, with the charger plugged into the power supply, the exposed charging contacts inside the charger can be shorted by foreign material. Foreign materials of a conductive nature such as, but not limited to, steel wool, aluminum foil or any buildup of metallic particles should be kept away from charger cavities. Always unplug the charger from the power supply when there is no battery pack in the cavity. Unplug charger before attempting to clean.

- **DO NOT attempt to charge the battery pack with any chargers other than the ones in this manual.** The charger and battery pack are specifically designed to work together.
- **These chargers are not intended for any uses other than charging DEWALT rechargeable batteries.** Any other uses may result in risk of fire, electric shock or electrocution.
- **Do not expose charger to rain or snow.**
- **Pull by plug rather than cord when disconnecting charger.** This will reduce risk of damage to electric plug and cord.
- **Make sure that cord is located so that it will not be stepped on, tripped over, or otherwise subjected to damage or stress.**
- **Do not use an extension cord unless it is absolutely necessary.** Use of improper extension cord could result in risk of fire, electric shock, or electrocution.
- **Do not place any object on top of charger or place the charger on a soft surface that might block the ventilation slots and result in excessive internal heat.** Place the charger in a position away from any heat source. The charger is ventilated through slots in the top and the bottom of the housing.
- **Do not operate charger with damaged cord or plug—** have them replaced immediately.
- **Do not operate charger if it has received a sharp blow, been dropped, or otherwise damaged in any way.** Take it to an authorised service centre.
- **Do not disassemble charger; take it to an authorised service centre when service or repair is required.** Incorrect reassembly may result in a risk of electric shock, electrocution or fire.
- *In case of damaged power supply cord, the supply cord must be replaced immediately by the manufacturer, its service agent or similar qualified person to prevent any hazard.*
- **Disconnect the charger from the outlet before attempting any cleaning.** This will reduce the risk of electric shock. Removing the battery pack will not reduce this risk.
- **NEVER** attempt to connect two chargers together.
- **The charger is designed to operate on standard 220-240V household electrical power. Do not attempt to use it on any other voltage.** This does not apply to the vehicular charger.

Charging a Battery (Fig. B)

NOTE: To ensure maximum performance and life of lithium-ion battery packs, charge the battery pack fully before first use.

1. Plug the charger into an appropriate outlet before inserting battery pack.
2. Insert the battery pack into the charger, making sure the battery pack is fully seated in the charger. The red (charging) light will blink repeatedly indicating that the charging process has started.
3. The Stage 1 Charging blink indicator represents the charge process that charges the majority of the battery's capacity. Stage 2 Charging blink indicator represents the remainder, or top off charge process, for the battery to reach full capacity.
4. The completion of charge for Stage 1 or Stage 2 will be indicated by the Stage's light remaining ON continuously. The battery pack is fully charged when both Stage 1 and Stage 2 Charging lights remain ON continuously, and it may be removed and used at this time or left in the charger.

NOTE: To remove the battery pack, some chargers require the battery pack release button to be pressed.

Charger Operation

Refer to the indicators below for the charge status of the battery pack.

Indicators			
	Stage 1 Charging	— — — —	
	Stage 2 Charging	— — — —	
	Fully Charged	————	
	Hot/Cold Pack Delay*	— — — — ————	

*The red light will continue to blink, but a yellow indicator light will be illuminated during this operation. Once the battery pack has reached an appropriate temperature, the yellow light will turn off and the charger will resume the charging procedure. The compatible charger(s) will not charge a faulty battery pack. The charger will indicate faulty battery by refusing to light.

NOTE: This could also mean a problem with a charger.

If the charger indicates a problem, take the charger and battery pack to be tested at an authorised service centre.

Hot/Cold Pack Delay

When the charger detects a battery pack that is too hot or too cold, it automatically starts a Hot/Cold Pack Delay, suspending charging until the battery pack has reached an appropriate temperature. The charger then automatically switches to the pack charging mode. This feature ensures maximum battery pack life.

A cold battery pack will charge at a slower rate than a warm battery pack. The battery pack will charge at that slower rate throughout the entire charging cycle and will not return to maximum charge rate even if the battery pack warms.

The DCB118 charger is equipped with an internal fan designed to cool the battery pack. The fan will turn on automatically when the battery pack needs to be cooled. Never operate the charger if the fan does not operate properly or if ventilation slots are blocked.

Do not permit foreign objects to enter the interior of the charger.

Electronic Protection System

XR Li-Ion tools are designed with an Electronic Protection System that will protect the battery pack against overloading, overheating or deep discharge.

The tool will automatically turn off if the Electronic Protection System engages. If this occurs, place the lithium-ion battery pack in the charger until it is fully charged.

Wall Mounting

These chargers are designed to be wall mountable or to sit upright on a table or work surface. If wall mounting, locate the charger within reach of an electrical outlet, and away from a corner or other obstructions which may impede air flow. Use the back of the charger as a template for the location of the mounting screws on the wall. Mount the charger securely using drywall screws (purchased separately) at least 25.4 mm long with a screw head diameter of 7–9 mm, screwed into wood to an optimal depth leaving approximately 5.5 mm of the screw exposed. Align the slots on the back of the charger with the exposed screws and fully engage them in the slots.

Charger Cleaning Instructions



WARNING: Shock hazard. Disconnect the charger from the AC outlet before cleaning. Dirt and grease may be removed from the exterior of the charger using a cloth or soft non-metallic brush. Do not use water or any cleaning solutions. Never let any liquid get inside the tool; never immerse any part of the tool into a liquid.

Battery Packs

Important Safety Instructions for All Battery Packs

When ordering replacement battery packs, be sure to include catalogue number and voltage.

The battery pack is not fully charged out of the carton. Before using the battery pack and charger, read the safety instructions below. Then follow charging procedures outlined.

READ ALL INSTRUCTIONS

- **Do not charge or use battery in explosive atmospheres, such as in the presence of flammable liquids, gases or dust.** Inserting or removing the battery from the charger may ignite the dust or fumes.
- **Never force battery pack into charger. Do not modify battery pack in any way to fit into a non-compatible charger as battery pack may rupture, causing serious personal injury.**
- **Charge the battery packs only in DEWALT chargers.**
- **DO NOT splash or immerse in water or other liquids.**
- **Do not store or use the tool and battery pack in locations where the temperature may fall below 4 °C (39.2 °F) (such as outside sheds or metal buildings in winter), or reach or exceed 40 °C (104 °F) (such as outside sheds or metal buildings in summer).**
- **Do not incinerate the battery pack even if it is severely damaged or is completely worn out.** The battery pack can

explode in a fire. Toxic fumes and materials are created when lithium-ion battery packs are burned.

- **If battery contents come into contact with the skin, immediately wash area with mild soap and water.** If battery liquid gets into the eye, rinse water over the open eye for 15 minutes or until irritation ceases. If medical attention is needed, the battery electrolyte is composed of a mixture of liquid organic carbonates and lithium salts.
- **Contents of opened battery cells may cause respiratory irritation.** Provide fresh air. If symptoms persist, seek medical attention.



WARNING: Burn hazard. Battery liquid may be flammable if exposed to spark or flame.



WARNING: Never attempt to open the battery pack for any reason. If battery pack case is cracked or damaged, do not insert into charger. Do not crush, drop or damage battery pack. Do not use a battery pack or charger that has received a sharp blow, been dropped, run over or damaged in any way (i.e., pierced with a nail, hit with a hammer, stepped on). Electric shock or electrocution may result. Damaged battery packs should be returned to service centre for recycling.



WARNING: Fire hazard. Do not store or carry the battery pack so that metal objects can contact exposed battery terminals. For example, do not place the battery pack in aprons, pockets, tool boxes, product kit boxes, drawers, etc., with loose nails, screws, keys, etc.



CAUTION: When not in use, place tool on its side on a stable surface where it will not cause a tripping or falling hazard. Some tools with large battery packs will stand upright on the battery pack but may be easily knocked over.

Transportation



WARNING: Fire hazard. Transporting batteries can possibly cause fire if the battery terminals inadvertently come into contact with conductive materials. When transporting batteries, make sure that the battery terminals are protected and well-insulated from materials that could contact them and cause a short circuit. **NOTE:** Lithium-ion batteries should not be put in checked baggage.

DEWALT batteries comply with all applicable shipping regulations as prescribed by industry and legal standards, which include UN Recommendations on the Transport of Dangerous Goods; International Air Transport Association (IATA) Dangerous Goods Regulations; International Maritime Dangerous Goods (IMDG) Regulations; and the European Agreement Concerning The International Carriage of Dangerous Goods by Road (ADR). Lithium-ion cells and batteries have been tested to section 38.3 of the UN Recommendations on the Transport of Dangerous Goods Manual of Tests and Criteria.

In most instances, shipping a DEWALT battery pack will be excepted from being classified as a fully regulated Class 9 Hazardous Material. In general, only shipments containing a lithium-ion battery with an energy rating greater than 100 Watt Hours (Wh) will require being shipped as fully regulated Class 9.

All lithium-ion batteries have the Wh rating marked on the pack. Furthermore, due to regulation complexities, DeWALT does not recommend air shipping lithium-ion battery packs alone regardless of Wh rating. Shipments of tools with batteries (combo kits) can be air shipped as excepted if the Wh rating of the battery pack is no greater than 100 Wh.

Regardless of whether a shipment is considered excepted or fully regulated, it is the shipper's responsibility to consult the latest regulations for packaging, labeling/marketing and documentation requirements.

The information provided in this section of the manual is provided in good faith and believed to be accurate at the time the document was created. However, no warranty, expressed or implied, is given. It is the buyer's responsibility to ensure that its activities comply with the applicable regulations.

Storage Recommendations

1. The best storage place is one that is cool and dry away from direct sunlight and excessive heat or cold. For optimum battery performance and life, store battery packs at room temperature when not in use.
2. For long storage, it is recommended to store a fully charged battery pack in a cool, dry place out of the charger for optimal results.

NOTE: Battery packs should not be stored completely depleted of charge. The battery pack will need to be recharged before use.

Labels on Charger and Battery Pack

In addition to the pictographs used in this manual, the labels on the charger and the battery pack may show the following pictographs:



Read instruction manual before use.



Refer to **Technical Data** for charging time.



Do not probe with conductive objects.



Do not charge damaged battery packs.



Do not expose to water.



Have defective cords replaced immediately.



Charge only between 4 °C and 40 °C.



Only for indoor use.



Discard the battery pack with due care for the environment.



Charge DeWALT battery packs only with designated DeWALT chargers. Charging battery packs other than the designated DeWALT batteries with a DeWALT charger may make them burst or lead to other dangerous situations.



Do not incinerate the battery pack.

Battery Type

The following tools operate on an 18-volt (20V Max) battery pack: DCF403, DCF414

Refer to **Technical Data** for more batteries information.

Package Contents

The package contains:

- 1 Riveter
- 4 Nosepieces (DCF403)
- 3 Nosepieces (DCF414)
- 1 Set of spare jaws
- Li-Ion battery pack
- 1 Instruction manual

NOTE: Battery packs, chargers and kitboxes are not included with N models. Battery packs and chargers are not included with NT models. B models include Bluetooth® battery packs.

NOTE: The Bluetooth® word mark and logos are registered trademarks owned by the Bluetooth®, SIG, Inc. and any use of such marks by DeWALT is under license. Other trademarks and trade names are those of their respective owners.

- Check for damage to the tool, parts or accessories which may have occurred during transport.
- Take the time to thoroughly read and understand this manual prior to operation.

Markings on Tool

The following pictographs are shown on the tool:



Read instruction manual before use.



Wear ear protection.



Wear eye protection.



Visible radiation. Do not stare into light.

Date Code Position (Fig. B)

The production date code **14** consists of a 4-digit year followed by a 2-digit week and is extended by a 2-digit factory code.

Description (Fig. A)



WARNING: Never modify the power tool or any part of it. Damage or personal injury could result.

- 1 Nosepieces
- 2 Screw cap
- 3 Nose housing

- 4 Nose housing nut
- 5 Mandrel collector
- 6 Spare nosepiece holder
- 7 Exhaust vent
- 8 Main handle
- 9 Trigger switch
- 10 LED worklight
- 11 Battery pack
- 12 Battery release button
- 13 Spare jaws

Intended Use

These rivet tools are designed for installation blind fasteners.

DO NOT insert any objects other than the rivets specified in the instruction manual into the nosepiece.

DO NOT use under wet conditions or in the presence of flammable liquids or gases.

These rivet tools are professional power tools.

DO NOT let children come into contact with the tool.

Supervision is required when inexperienced operators use this tool.

- **Young children and the infirm.** This appliance is not intended for use by young children or infirm persons without supervision.
- This product is not intended for use by persons (including children) suffering from diminished physical, sensory or mental abilities; lack of experience, knowledge or skills unless they are supervised by a person responsible for their safety. Children should never be left alone with this product.

ASSEMBLY AND ADJUSTMENTS



WARNING: To reduce the risk of serious personal injury, turn tool off and disconnect battery pack before making any adjustments or removing/installing attachments or accessories. An accidental start-up can cause injury.



WARNING: Use only DEWALT batteries and chargers.

Inserting and Removing the Battery Pack from the Tool (Fig. B)

NOTE: Make sure your battery pack **11** is fully charged.

To Install the Battery Pack into the Tool Handle

1. Align the battery pack with the rails inside the tool's handle (Fig. B).
2. Slide it into the handle until the battery pack is firmly seated in the tool and ensure that you hear the lock snap into place.

To Remove the Battery Pack from the Tool

1. Press the battery release button **12** and firmly pull the battery pack out of the tool handle.
2. Insert battery pack into the charger as described in the charger section of this manual.

Fuel Gauge Battery Packs (Fig. B)

Some DEWALT battery packs include a fuel gauge, which consists of three green LED lights that indicate the level of charge remaining in the battery pack.

To actuate the fuel gauge, press and hold the fuel gauge button **15**. A combination of the three green LED lights will illuminate, designating the level of charge left. When the level of charge in the battery is below the usable limit, the fuel gauge will not illuminate and the battery will need to be recharged.

NOTE: The fuel gauge is only an indication of the charge left on the battery pack. It does not indicate tool functionality and is subject to variation based on product components, temperature and end-user application.

Mounting the Nosepiece (Fig. C)

1. Select the correct nosepiece for the rivet to be installed. Refer to the number or letter **16** on the nosepiece and the **Rivet Size Chart** to select the proper nosepiece for the application.
2. Unscrew and remove the screw cap **2**.
3. Place the nosepiece **1** into the nose housing **3**.
4. Screw the screw cap onto the nose housing.

Rivet Size Chart

Rivet Diameter		
Nosepiece	mm	Inches
DCF403		
1	2.4	3/32
2	3.2	1/8
3	4.0	5/32
4	4.8	3/16
DCF414		
A	4.8	3/16
B	6.0	15/64
C	6.4	1/4

Mandrel Collector and Spare Nosepiece Holder (Fig. D)



WARNING: Do not use the tool without the mandrel collector attached.

The mandrel collector **5** and spare nosepiece holder **6** attach to the rear of the tool.

The tool can be used without the spare nosepiece holder.

To remove the mandrel collector or spare nosepiece holder, unscrew them until they are removed. If you are using the tool with the spare nosepiece holder, attach it to the tool first, and then attach the mandrel collector.

Belt Hook (Fig. E)

Included with Some Models



WARNING: To reduce the risk of serious personal injury, **ONLY use the tool's belt hook to hang the tool from a work belt. DO NOT use the belt hook for tethering or securing the tool to a person or object during use. DO NOT suspend tool overhead or suspend objects from the belt hook.**



WARNING: To reduce the risk of serious personal injury, ensure the screw holding the belt hook is secure.

IMPORTANT: When attaching or replacing a belt hook, use only the screw that is provided. Be sure to securely tighten the screw.

A belt hook **21** can be attached to either side of the tool using only the screw **22** provided, to accommodate left- or right-handed users. If the belt hook is not desired at all, it can be removed from the tool.

To move the belt hook, remove the screw **22** that holds it in place then reassemble on the opposite side. Be sure to securely tighten the screw.

OPERATION

Instructions for Use



WARNING: Always observe the safety instructions and applicable regulations.



WARNING: To reduce the risk of serious personal injury, **turn tool off and disconnect battery pack before making any adjustments or removing/installing attachments or accessories.** An accidental start-up can cause injury.

Proper Hand Position (Fig. G)



WARNING: To reduce the risk of serious personal injury, **ALWAYS use proper hand position as shown.**



WARNING: To reduce the risk of serious personal injury, **ALWAYS hold securely in anticipation of a sudden reaction.**

Proper hand position requires one hand on the main handle **8**.

LED Worklight (Fig. A)



CAUTION: Do not stare into the LED. Serious eye injury could result.

The LED worklight **10** improves visibility in the direct work area. When the tool is activated by pressing the trigger switch **9**, the LED worklight **10** will automatically turn on. The LED worklight will turn off 60 seconds after the on/off button has been released.

The LED worklight **10** will flash slowly when the battery state of charge is low.

The LED worklight **10** will flash fast if the nose equipment is clogged. Refer to **Cleaning the Nose Equipment or Replacing Jaws** for the proper cleaning procedure.

Installing a Blind Rivet (Fig. A, F)

To Install a Blind Rivet

1. Place the blind rivet **20** in the nosepiece **1**.

2. Position the tool as shown in **Proper Hand Position**.
3. Pull and hold the trigger switch **9** until the rivet is fully set in the application.
4. When the blind rivet has been set completely, release the trigger switch. The tool will return to its initial position automatically.
5. Tilt the unit backwards and the mandrel will go to the mandrel collector **5** by gravity. The mandrel will also be pushed into the mandrel collector by pulling the next rivet.

If you release the switch before the end of the setting stroke, the tool will immediately return to its initial position. If the blind rivet has not been set completely, repeat the previous steps.

Emptying the Mandrel Collector (Fig. D)

Always empty the mandrel collector **5** for broken-off rivet mandrels before it is completely full in order to prevent blockages.

1. Unscrew the mandrel collector by turning it anticlockwise.
2. Empty the mandrel collector into a suitable recycling or waste bin.
3. Screw the mandrel collector back onto the power tool by turning it clockwise.

MAINTENANCE

Your power tool has been designed to operate over a long period of time with a minimum of maintenance. Continuous satisfactory operation depends upon proper tool care and regular cleaning.



WARNING: To reduce the risk of serious personal injury, **turn tool off and disconnect battery pack before making any adjustments or removing/installing attachments or accessories.** An accidental start-up can cause injury.

The charger and battery pack are not serviceable.

Maintenance Frequency

Item	Frequency
General tool inspection	Daily
Clean and lubricate nose equipment	5000 rivets

*Recommend contacting authorised service centre

Cleaning



WARNING: Electrical shock and mechanical hazard. Disconnect the electrical appliance from the power source before cleaning.



WARNING: To ensure safe and efficient operation, always keep the electrical appliance and the ventilation slots clean.



WARNING: Never use solvents or other harsh chemicals for cleaning the non-metallic parts of the tool. These chemicals may weaken the materials used in these parts. Use a cloth dampened only with water and mild soap. Never let any liquid get inside the tool; never immerse any part of the tool into a liquid.

Ventilation slots can be cleaned using a dry, soft non-metallic brush and/or a suitable vacuum cleaner. Do not use water or any cleaning solutions. Wear approved eye protection and an approved dust mask.

Cleaning the Nose Equipment or Replacing Jaws (Fig. A, H)

- Loosen the nose housing nut **4**. Remove the nose housing **3** and nose housing nut.
- Clean the inside of the nose housing using a dry cloth.
- Pull back the locking sleeve **17** as indicated by the arrow.
- Untighten the pulling hull **18**.
- Clean the jaws **19** and the jaw pusher using a dry cloth. If necessary, replace the jaws with spare jaws **13**.
NOTE: When replacing the jaws, use only DeWALT brand jaws.
- Apply grease to the outside of the clamping jaw assembly **19**.
- Put the jaw assembly **19** into the pulling hull **18** and mount it onto the tool. Tighten the pulling hull by hand and ensure it is secured by the locking sleeve **17**.
NOTE: A molybdenum disulfide-based grease is recommended.
- Mount the nose housing and nose housing nut and tighten by hand.

Cleaning the Tool Exterior (Fig. A)

Keep the brushless motor exhaust vent **7** openings free from dust and dirt. If necessary, use a soft, moist cloth to remove dust and dirt from the exhaust vents. Blow dirt and dust out of the main power tool housing with dry air as often as dirt is seen collecting in and around the exhaust vents.

Optional Accessories



WARNING: Since accessories, other than those offered by DeWALT, have not been tested with this product, use of such accessories with this tool could be hazardous. To reduce the risk of injury, only DeWALT-recommended accessories should be used with this product.

Consult your dealer for further information on the appropriate accessories.

Protecting the Environment



Separate collection. Products and batteries marked with this symbol must not be disposed of with normal household waste.

Products and batteries contain materials that can be recovered or recycled, reducing the demand for raw materials. Please recycle electrical products and batteries according to local provisions. Further information is available at www.2helpU.com.

Rechargeable Battery Pack

This long-life battery pack must be recharged when it fails to produce sufficient power on jobs that were easily done before. At the end of its technical life, discard it with due care for our environment:

- Run the battery pack down completely, then remove it from the tool.
- Li-Ion cells are recyclable. Take them to your dealer or a local recycling station. The collected battery packs will be recycled or disposed of properly.

After Service and Repair

DeWALT service centers are staffed with trained personnel to provide customers with efficient and reliable product service. We do not take any responsibility when you have repaired in unauthorized service center. You can refer to the leaflet of CONTACT CENTER LOCATOR in product package and contact us through hotline, website or social media to find the nearest DeWALT service center around you.

锂电无刷铆钉枪

DCF403, DCF414

恭喜!

您选择了本款DeWALT工具。凭借多年的产品开发和创新经验，DeWALT已经成为专业电动工具用户最可靠的合作伙伴之一。

技术数据

		DCF403	DCF414
电压	V _{DC}	18 (最大20)	18 (最大20)
电池类型		Li-Ion	Li-Ion
重量 (不含电池包)	kg	1.65	1.65

电池				充电器/充电时间 (分钟) ***		
型号	V _{DC}	Ah	重量 (kg)	DCB112 DCB1102	DCB115 DCB1104	DCB118
DCB606	18/54 (最大20/60)	6.0/2.0	1.05	170	90	60
DCB609/DCB609G	18/54 (最大20/60)	9.0/3.0	1.46	270	135*	75*
DCB612	18/54 (最大20/60)	12.0/4.0	1.44	350	180	120
DCB615	18/54 (最大20/60)	15.0/5.0	2.12	450	230	125
DCB182	18 (最大20)	4.0	0.61	120	60	60/40*
DCB203	18 (最大20)	2.0	0.40	60	30	30
DCB184/DCB184G	18 (最大20)	5.0	0.62	150	75	75/50**
DCB208	18 (最大20)	8.0	0.95	240	120	70
DCBP034	18 (最大20)	1.7	0.32	50	27	27
DCBP520	18 (最大20)	5.0	0.75	150	75	75/50**

*日期码 201811475B 或以后

**日期码 201536 或以后

***电池包充电时间表仅供参考;实际充电时间将根据电池包的温度和状况而变化。



警告: 为降低伤害风险, 请阅读使用手册。

定义: 安全指南

下列定义描述了各标志术语的严重程度。请仔细阅读本手册, 并注意这些标志。



危险: 表示存在紧急危险情况, 如果不加以避免, 将导致死亡或严重伤害。



警告: 潜在的危险情况, 如果不加以避免, 可能导致死亡或重伤。



小心: 表示存在潜在危险情况, 如果不加以避免, 可能导致轻度或中度伤害。

注意: 与人身伤害无关的行为, 如果不加以避免, 可能导致财产损失。



表示存在触电风险。



表示存在火灾风险。

电动工具通用安全警告



警告: 请阅读本电动工具随附的所有安全警告、说明、图示和规定。未能遵照以下所列说明会导致电击、火灾和/或严重伤害。

保存所有警告和使用手册以备查阅。

警告中的术语“电动工具”指市电驱动(有线)电动工具或电池驱动(无线)电动工具。

1) 工作区安全

- 保持工作场地清洁和明亮。杂乱和黑暗的场地会引发事故。
- 不要在易爆环境, 如有易燃液体、气体或粉尘的环境下操作电动工具。电动工具产生的火花会点燃粉尘或气体。
- 操作电动工具时, 远离儿童和旁观者。注意力不集中会使你失去对工具的控制。

2) 电气安全

- 电动工具插头必须与插座相配。绝不能以任何方式改装插头。需接地的电动工具不能使用任何转换插头。未经改装的插头和相配的插座将降低电击风险。

- b) 避免人体接触接地表面,如管道、散热片和冰箱。如果你身体接触接地表面会增加电击风险。
- c) 不得将电动工具暴露在雨中或潮湿环境中。水进入电动工具将增加电击风险。
- d) 不得滥用电源线。绝不能用电源线搬运、拉动电动工具或拔出其插头。使电源线远离热源、油、锐边或运动部件。受损或缠绕的电源线会增加电击风险。
- e) 当在户外使用电动工具时,使用适合户外使用的延长线。适合户外使用的电线将降低电击风险。
- f) 如果无法避免在潮湿环境中操作电动工具,应使用带有剩余电流装置(RCD)保护的电源。RCD的使用可降低电击风险。

3) 人身安全

- a) 保持警觉,当操作电动工具时关注所从事的操作并保持清醒。当你感到疲倦,或在有药物、酒精或治疗反应时,不要操作电动工具。在操作电动工具时瞬间的疏忽会导致严重人身伤害。
- b) 使用个人防护设备。始终佩戴护目镜。防护装置,诸如适当条件下使用防尘面具、防滑安全鞋、安全帽、听力防护等装置能减少人身伤害。
- c) 防止意外起动。在连接电源和/或电池包、拿起或搬运工具前,应确保开关处于关断位置。手指放在开关上搬运工具或开关处于接通时通电会导致危险。
- d) 在电动工具接通之前,拿掉所有调节钥匙或扳手。遗留在电动工具旋转零件上的扳手或钥匙会导致人身伤害。
- e) 请勿过分伸展。时刻注意立足点和身体平衡。这样能在意外情况下能更好地控制住电动工具。
- f) 适当着装。不要穿宽松衣服或佩戴饰品。让你的头发和衣服远离运动部件。宽松衣服、佩饰或长发可能会卷入运动部件。
- g) 如果提供了与排屑、集尘设备连接用的装置,要确保其连接完好且使用得当。使用集尘装置可降低尘屑引起的危险。
- h) 不要因为频繁使用工具而产生的熟悉感而掉以轻心,忽视工具的安全准则。某个粗心的动作可能在瞬间导致严重的伤害。

4) 电动工具使用和注意事项

- a) 切勿强制使用电动工具。根据用途使用合适的电动工具。选用合适的按照额定值设计的电动工具会使你工作更有效、更安全。
- b) 如果开关不能接通或关断电源,则不能使用该电动工具。不能通过开关来控制的电动工具是危险的且必须进行修理。
- c) 在进行任何调节、更换附件或贮存电动工具之前,必须从电源上拔掉插头和/或卸下电池包(如可拆卸)。这种防护性的安全措施降低了电动工具意外起动的风险。
- d) 将闲置不用的电动工具贮存在儿童所及范围之外,并且不允许不熟悉电动工具和不了解这些说明的人操作电动工具。电动工具在未经培训的使用者手中是危险的。
- e) 维护电动工具及其附件。检查运动部件是否调整到位或卡住,检查零件破损情况和影响电动工具

运行的其他状况。如有损坏,应在使用前修理好电动工具。许多事故是由维护不良的电动工具引发的。

- f) 保持切削刀具锋利和清洁。维护良好地有锋利切削刃的刀具不易卡住而且容易控制。
- g) 按照使用说明书,并考虑作业条件和要进行的作业来选择电动工具、附件和工具的刀头等。将电动工具用于那些与其用途不符的操作可能会导致危险情况。
- h) 保持手柄和握持表面干燥、清洁,不得沾有油脂。在意外的情况下,湿滑的手柄不能保证握持的安全和对工具的控制。

5) 电池式工具使用和注意事项

- a) 仅使用生产者规定的充电器充电。将适用于某种电池包的充电器用到其他电池包时可能会发生着火危险。
- b) 仅使用配有专用电池包的电动工具。使用其他电池包可能会产生伤害和着火危险。
- c) 当电池包不用时,将它远离其他金属物体,例如回形针、硬币、钥匙、钉子、螺钉或其他小金属物体,以防电池包一端与另一端连接。电池包端部短路会引起燃烧或着火。
- d) 在滥用条件下,液体可能会从电池包中溅出,应避免接触。如果意外碰到液体,用水冲洗。如果液体碰到了眼睛,还应寻求医疗帮助。从电池中溅出的液体可能会发生腐蚀或燃烧。
- e) 不要使用损坏或改装过的电池包或工具。损坏或改装过的电池包可能呈现无法预测的结果,导致着火、爆炸或伤害。
- f) 不要将电池包暴露于火或高温中。电池包暴露于火或高于130°C的高温中可能导致爆炸。
- g) 请遵循所有充电说明,请勿在说明书规定的温度范围以外的环境对电池包或工具充电。不当或在指定范围以外的温度下充电,可能导致电池损坏并增加火灾风险。

6) 维修

- a) 让专业维修人员使用相同的备件维修电动工具。这将保证所维修的电动工具的安全。
- b) 切勿维修损坏的电池包。电池包仅能由生产者或其授权的维修服务商进行维修。

铆钉枪安全警告



警告:不得改装本电动工具或其任何部件,否则可能会导致损坏或人身伤害。



警告:始终佩戴安全眼镜。普通眼镜不是安全眼镜。始终佩戴经认证的安全防护设备。

- 请勿在无收集容器的情况下工作。心轴会被铆钉枪弹出到后面,可能会致人受伤。
- 在操作过程中,不要将铆钉对准自己或他人,不要在没有被铆接材料的情况下工作。盲铆钉可能会从铆钉枪上弹出,致人受伤。
- 铆接过程结束后,将设备向后倾斜,使残留的心轴落入收集容器中。
- 发动机的通风槽不能被覆盖,不要将任何物体插入其中。否则可能会导致损坏或人身伤害。

- 不使用时,应将工具侧放在稳定的表面上,以免造成绊倒或坠落的危险。一些带有大型电池组的工具可以直立放在电池组上,但可能很容易被撞倒。
- 如果电动工具无法关闭,请将其与电源/电池断开。如果电动工具无法用开关打开和关闭,请勿使用。不能通过开关来控制的电动工具是危险的且必须进行修理。

剩余风险

尽管遵守了相关的安全法规并采用了安全装备,某些剩余风险仍然是无法避免的。这些风险包括:

- 听力损伤。
- 飞溅颗粒造成的人身伤害风险。
- 使用时附件发热导致的灼伤风险。
- 长时间使用引起的人身伤害风险。

请妥善保管好这些说明

充电器

DEWALT充电器无需做出任何调整,专为简易操作而设计。

电气安全

电机只适用一种工作电压。请务必检查电池组的电压是否和铭牌上的电压一致。请务必检查电池组的电压是否和铭牌上的电压一致。



DEWALT充电器符合IEC60335双重绝缘要求,因此无需使用接地线。

如果电源线损坏,必须仅由DEWALT或授权的维修机构负责更换。

使用延长线

除非绝对必要,否则请勿使用延长线。使用适合您的充电器输入功率的合格延长线(请参阅**技术数据**)。最小的导线尺寸为1平方毫米;最大长度为30米。使用电缆卷筒时,请务必拉出所有的电缆。

针对所有电池充电器的重要安全说明

请妥善保管好这些说明:本手册包含重要的兼容电池充电器安全和操作说明(请参阅**技术数据**)。在使用充电器之前,请先阅读所有指示以及充电器、电池组和使用电池组的产品上的警告标记。



警告:电击危险。请勿让任何液体进入充电器,否则可能会导致触电。



警告:我们建议使用漏电保护额定电流为30毫安或以下的漏电保护装置。



小心:烧伤危险。为降低人身伤害风险,请仅使用DEWALT充电式电池充电。使用其它类型的电池可能会引起爆裂,并导致人身伤害和损害。



小心:应看管好儿童,以确保他们不将此设备当做玩具来玩。

注意:在某些情况下,当充电器的插头插入电源插座时,充电器内部裸露的充电接触点可能因为外来物件而短路。请勿让能导电的异物靠近充电器腔,这些外来物件包括但不限于钢棉、铝箔或任何金属颗粒的堆积物。充电器内没有电池

组时,请断开充电器与电源的连接。清洗前,务必拔掉充电器。

- 请勿试图使用本手册指定的充电器以外的其他任何充电器为电池包充电。充电器和电池包都是专门设计的,互相配合使用。
- 这些充电器不适合用于为DEWALT充电式电池充电以外的任何其他用途。否则,可能会导致火灾、触电或电击。
- 请勿将充电器暴露于雨中或雪中。
- 断开充电器连接时,应捏住插头将其拔出,而非通过拉拽电源线拔下插头。这将降低对电插头和电线的损害风险。
- 确保电源线布置在不易踩踏、踢绊、拉扯或会受到损害或压力的位置。
- 除非绝对必要,否则请勿使用延长线。使用不正确的延长线可能导致火灾、触电或电击的风险。
- 请勿将任何物件放在充电器上面,或是把充电器放在可能会堵住通风槽的柔软表面,导致充电器的内部过热。请把充电器放置在远离任何热源的地方。充电器通过外壳顶端和底端的槽进行通风。
- 请勿使用电源线或插头已损坏的充电器,请立即更换这些充电器。
- 如果充电器受到强烈重击、掉落或出现其他损坏情况,请勿使用充电器。请将损坏的充电器送到授权服务中心。
- 请勿自行拆卸充电器。请将需要检修或修理的充电器送到授权服务中心。重装不正确可能导致触电、电击或火灾风险。
- 必须立即将已损坏的电源线交由制造商、服务代理或类似的合格人员进行更换以防止安全隐患。
- 清洁前,请先断开充电器和插座的连接,以降低触电风险。取出电池组不会降低此风险。
- 不得将两个充电器连接在一起。
- 充电器是为220-240V的标准家用电源而设计。请勿试图在任何其他电压下使用充电器。此规则不适用于车载充电器。

为电池充电(图B)





注意:为了确保锂离子电池的效能和使用寿命最大化,在首次使用电池包之前必须将其完全充电。

1. 插入电池组前,先将充电器的插头插到相应的电源插座上。
2. 将电池组插入充电器,确保电池组在充电器中完全就位。红色(充电中)指示灯将不断闪烁,表示充电过程已经开始。
3. 第1阶段充电闪烁指示器表示为大部分电池容量充电的充电过程。第2阶段充电闪烁指示器表示电池达到满容量的剩余电量或充电过程。
4. 第1阶段或第2阶段的充电完成后,对应阶段的指示灯将常亮。第1阶段和第2阶段的充电指示灯常亮时,表示电池组已充满电,此时可取出电池组使用,或将其留在充电器中。

注意:在拆卸电池组时,部分充电器需要按住电池组释放按钮

充电器操作

关于电池组的充电状态，请参阅以下指示灯说明。

指标器	
	第1阶段充电  
	第2阶段充电  
	已完全充电  
	热/冷电池组延迟*  

*红色指示灯会继续闪烁，但黄色指示灯在本次操作过程中会亮起。电池包达到适当温度后，黄色指示灯会熄灭，充电器将恢复充电程序。

兼容充电器不会对故障电池包充电充电器指示灯不亮时表示电池有故障。

注意：这可能也表示充电器有问题。

如果充电器提示存在故障，请将充电器和电池组送到授权的服务中心进行测试。

热/冷电池组延迟

当充电器检测到电池组过热或过冷时，它会启动热/冷电池延迟模式，暂停充电，直到电池组达到适当的温度。然后，充电器会自动切换到电池组充电模式。此功能可确保电池组拥有最长的使用寿命。

冷电池组充电速度比热电池组充电速度慢。电池组在整个充电周期的充电速度都会较慢，即使电池组升温也不会恢复到最大速度。

DCB118充电器配备了内部风扇，用于冷却电池组。当电池组需要冷却时，该风扇会自动启动。如果风扇无法正常工作或通风槽被堵塞，切勿操作充电器。请勿让异物进入充电器的内部。

电子保护系统


XR锂离子电池工具采用了电子保护系统设计，可让电池包免受过载、过热或过度放电之害。

如果电子保护系统处于运作状态，该工具将自动停止操作。如果发生这种情况，请将锂离子电池包放在充电器上，直至其完全充电。

壁挂式安装

这些充电器设计为可以安装在墙上，也可以直立在桌面或工作台上。如果安装在墙上，请确保充电器的位置可以连接到电源插座，并且远离墙角或其他可能妨碍空气流通的障碍物。将充电器背面作为在墙上安装螺丝的位置模板。使用至少 25.4 毫米长、螺丝帽直径至少 7.9 毫米的石膏板螺丝（单独购买）牢牢固定充电器，将螺丝最大限度钉入木材，预留约 5.5 毫米露在墙外。将充电器背面的安装槽对准露出的螺丝，完全放置到位。

充电器清洁说明

 **警告：电击危险。**清洁前，请将充电器从交流电源插座上拔下。可用布或非金属软刷清除充电器外部的污垢和油脂。请勿使用水或任何清洁剂。不得让任何液体渗入工具，不得让工具的任何部件浸在液体中

电池组

针对所有电池组的重要安全说明

在订购更换电池组时，请务必附上目录型号和电压。

包装箱内的电池组并未完全充电。使用电池组和充电器之前，请阅读下列安全说明，然后遵循所述的充电程序。

请阅读所有说明

- 请勿在易燃环境，如有易燃液体、气体或粉尘的环境中充电或使用电池。在充电器中插入或取出电池时可能会点燃粉尘或气体。
- 不得强行将电池放进充电器。请勿以任何方式改装电池包并将电池包插入不兼容的充电器，这种操作可能会导致电池包破裂，造成严重的人身伤害。
- 只使用 DEWALT 充电器为电池包充电。
- 请勿喷溅电池包或将其浸泡在水或其他液体中。
- 请勿在温度可能降至 4°C (39.2°F) 的地方（如冬天户外的棚子或金属建筑物中）或达到或超过 40°C (104°F) 的地方（如夏天户外的棚子或金属建筑物中）存储或使用工具和电池包。
- 即使电池组严重受损或完全损坏，也请勿焚化电池组。电池组在火中会发生爆炸。锂离子电池包在燃烧时会释放有毒气体和物质。
- 如果电池液体接触到皮肤，请立即以中性肥皂和清水冲洗接触的地方。如果电池液体不慎进入眼睛，应睁开眼睛并用清水冲洗至少 15 分钟或直到刺激感消失。如果需要医疗救助，请告知医护人员。电池电解质由液状有机碳酸盐和锂盐的混合物组成。
- 已打开电池的**内部物质可能导致呼吸道刺激**。请保持空气流通。如果症状持续存在，请就医。



警告：烧伤危险。电池液如果接触到火花或火焰可能会燃烧。



警告：不得以任何理由试图打开电池组。电池组外壳破裂或损坏时，请勿将电池组插入充电器。请勿挤压、掉落或损坏电池组。请勿使用受过强烈重击、掉落、碾压或以任何其它方式（如被钉子穿破、受到锤子的重击、踩踏）受损的电池组或充电器。否则可能会引起触电或电击。损坏的电池组应送回服务中心进行回收。



警告：火灾危险。请勿在存储或搬运电池组时让金属物品接触暴露的电池两极。例如，请勿将电池组放在围裙、口袋、工具箱、产品套件盒、抽屉等可能与散钉、螺丝、钥匙等物品接触的地方。



小心：不使用时，应将工具侧放在稳定的表面上，以免造成绊倒或坠落的危险。一些带有大型电池组的工具可以直立在电池组上，但可能很容易被撞倒。

运输



警告：火灾危险。电池运输途中，如果电池两极意外接触导电材料，可能会引发火灾。运输电池时，务必保护电池两极，确保与可能接触电池导致短路的材料良好绝缘。**注意：**不应将锂离子电池放入托运行李中。

DEWALT 电池符合所有适用的行业和法律标准规定的运输规范，包括《联合国危险品运输建议规章范本》(UN

Recommendations on the Transport of Dangerous Goods)、《国际航空运输协会 (IATA) 危险品规则》(International Air Transport Association (IATA) Dangerous Goods Regulations)、《国际海运危险品 (IMDG) 规则》(International Maritime Dangerous Goods (IMDG) Regulations) 和《欧洲危险货物国际公路运输协定》(European Agreement Concerning The International Carriage of Dangerous Goods by Road) (ADR)。离子电池和电池包已遵循《联合国危险品运输建议规章范本手册》第 38.3 节关于测试和标准的说明通过测试。

大多数情况下,发运DeWALT电池包不属于完全管制的9类危险品。通常情况下,只有当运输包含一个能量等级大于100 瓦时 (Wh) 的锂离子电池时,才需要作为完全管制的9 类危险品发运。所有的锂离子电池都在电池组上标明了额定电量。此外,由于法规比较复杂,无论瓦时等级是多少,DeWALT都不建议单独空运锂离子电池包。发运包含电池的工作(组合套件)时,如果电池包的能量等级不大于100 瓦时 (Wh),则可以按计划空运。

无论发运是否纳入完全管制范围内,运输公司均有责任遵循最新法规中关于包装、标签/标记和单据的要求。本手册本节的信息是出于善意提供,且认为在编制文档时准确无误。不提供明示或暗示的担保。购买方负有确保其行为遵守适用法规的责任。

存放建议

1. 最好将电池存放在阴凉、干燥、远离阳光直射、不会过热或过冷的地方。为了获得最佳的电池性能和使用寿命,请您在不使用电池组时将其存储在室温下。
2. 长期存储时,建议将完全充电的电池组从充电器取出,存储在阴凉、干燥的地方,以达到最佳效果。

注意: 电池组不应在电池已完全耗尽的状态下存放。使用电池组之前,必须重新为电池组充电。

充电器和电池组上的标签

除了在本手册中所使用的标志,充电器和电池组的标签还包括:

-  使用前请阅读使用手册。
-  使用前请阅读使用手册。
-  充电时间请参考 **技术数据**。
-  请勿使用导电物体戳刺。
-  请勿对损坏的电池组充电。
-  请勿将其暴露于水中。
-  应立即更换有缺陷的电线。
-  请只在4°C和40°C之间的温度下充电。

 只能在室内使用。



弃置电池组时,请妥善处理以保护我们的环境。

只能用指定的DeWALT充电器给DeWALT电池包充电。使用DeWALT充电器为非DeWALT电池充电可能会导致电池爆炸或出现其他危险情况。



请勿焚化电池组。

电池类型

以下工具使用18伏(20V Max)的电池包:DCF403、DCF414

更多信息,请参考**技术数据**。

包装内的物品

包装中包含:

- 1 铆钉枪
- 4 快换头 (DCF403)
- 3 快换头 (DCF414)
- 1 一套备用钳口
- 锂离子电池组
- 1 使用手册


注意: 电池包、充电器和工具箱没有随N型号附送。电池包和充电器没有随NT型号附送。B型号包括BLUETOOTH® 电池包。

注意: BLUETOOTH®标志和徽标是BLUETOOTH®, SIG, INC.的注册商标,DEWALT对这些标识的任何使用均经过许可。其他商标和商标名均归各自所有者所有。

- 检查工具、部件或附件是否在运输过程中损坏。
- 操作前,请抽空仔细阅读并掌握本手册。

工具上的标记


工具上印有下列图形:

-  使用前请阅读使用手册。
-  请佩戴听力保护器。
-  请佩戴护目装备。
-  可见辐射。请勿盯着光看。

日期代码位置(图B)

生产日期代码**14**由4位数的年和2位数的周组成,后跟2位数的工厂代码。

描述(图A)

 **警告:** 不得改装本电动工具或其任何部件,否则可能会导致损坏或人身伤害。

- 1 快换头
- 2 螺丝帽
- 3 鼻罩
- 4 鼻罩螺母
- 5 芯棒收集盒
- 6 多型号快换头架

- 7 排气口
- 8 主手柄
- 9 触发开关
- 10 LED工作灯
- 11 电池组
- 12 电池释放按钮
- 13 备用钳口

设计用途

这些铆钉工具可用于安装单面紧固件。

除了说明书中提及的铆钉外，**请勿**将任何其他物体插入快换头中。

请勿在潮湿环境中，或在存在易燃液体或气体的环境中使用本工具。

这些铆钉工具是专业的电动工具。

请勿让儿童接触本工具。缺乏经验的操作员需要在监督下使用本工具。

- **儿童和体弱者。**在没有他人监督的情况下，儿童或体弱者不适宜使用本产品。
- 本产品不适合体力、感官或智力不足以及缺乏经验、知识或技能的人员（包括儿童）使用，除非一旁有能为他们的安全负责的监督人员。不得在无人监管的情况下让儿童接触本产品。

组装与调整

警告：为降低严重的人身伤害风险，在进行任何调整或取出/安装附件或配件之前，请关闭工具并断开电池包连接。意外启动可能会导致人身伤害。

警告：仅使用DEWALT电池和充电器。

从工具中插入和取出电池组(图B)

注意：确保您的电池包**11**已经充满电。

要将电池包安装到工具手柄中

1. 将电池包对准工具手柄内的轨道(图B)。
2. 将电池包滑入手柄内，使其牢牢地固定在工具内，并确保您听到其锁定到位的声音。

从工具中取出电池包

1. 按下电池释放按钮**12**，将电池包从工具握柄中稳妥地拉出。
2. 按本手册充电器部分所述将电池包插入充电器中。

电量计电池组(图B)

一些DEWALT电池包带有一个包含三个绿色LED指示灯的电量计，用于指示电池包内的剩余电量。

按下电量计按钮**15**不松开，即可启动电量计。三个绿色LED指示灯将以组合方式亮起，以指示剩余电量。当电池内的电量低于可用限制时，电量计将不会亮起，电池将需要重新充电。

注意：电量计仅指示电池组的剩余电量。它并不表示该工具的功能，且将根据产品组件、温度和最终使用者的使用情况而有所不同。

安装快换头(图C)

1. 为待安装的铆钉选择正确的快换头。参照铆钉上的数字或字母**16**和**铆钉尺寸表**，选择适用的铆钉。
2. 拧开并取下螺丝帽字母**2**。
3. 将快换头**1**放入鼻罩字母**3**中。
4. 将螺丝帽拧到鼻罩上。

铆钉尺寸表

快换头	铆钉直径	
	mm	英寸
DCF403		
1	2.4	3/32
2	3.2	1/8
3	4.0	5/32
4	4.8	3/16
DCF414		
A	4.8	3/16
B	6.0	15/64
C	6.4	1/4

芯棒收集盒和多型号快换头架(图D)

警告：未安装芯棒收集盒时，请不要使用该工具。

芯棒收集盒**5**和多型号快换头架**6**安装在工具的后面。该工具可以在没有多型号快换头架的情况下使用。

如需卸下芯棒收集盒或多型号快换头架，请拧开它们，直至卸下。如果使用工具时，需使用多型号快换头架，请先将其安装到工具上，然后再安装芯棒收集盒。

皮带钩(图E)

包括某些型号

警告：为减少严重人身伤害的风险，仅可用皮带钩将工具挂在工作带上。使用过程中，切勿用皮带钩将工具拴在或固定在人或物体上。切勿将工具悬挂在头顶或将物体悬挂在皮带钩上。

警告：为了减少人身伤害的风险，请确保固定皮带钩的螺钉紧固。

重要事项：在固定或更换皮带钩时，仅可使用随附的螺钉。一定要牢固地拧紧螺钉。

为了适应惯用左手的用户，用提供的螺钉**22**将皮带钩**21**固定在工具的任何一侧。如果完全不需要皮带钩，可将其从工具上取下。

若要移动皮带钩，请拆下固定其的螺钉**22**，然后在另一侧重新安装。一定要牢固地拧紧螺钉。

操作

使用说明

警告: 务必遵守安全指示和适用法规。

警告: 为降低严重的人身伤害风险, 在进行任何调整或取出/安装附件或配件之前, 请关闭工具并断开电池包连接。意外启动可能会导致人身伤害。

正确的手部位置(图G)

警告: 为了减低严重人身伤害的风险, 请务必如图示那样正确放置双手。

警告: 为了减低造成严重人身伤害的风险, 预期有突然反作用力时务必握紧。

手部正确的位置是一只手放在主手柄上。⑧

LED工作灯(图A)

小心: 请不要直视LED灯。直视可能会导致视力严重受损。

LED工作灯 10 可提高直接工作区域的能见度。

按下触发开关 9 启动工具时, LED工作灯 10 会自动亮起。松开/关按钮60秒后, LED工作灯将熄灭。

电池电量不足时, LED工作灯 10 会缓慢闪烁。

如果快换头设备堵塞, LED工作灯 10 会快速闪烁。有关正确的清洁程序, 请参考 **清洁鼻部设备或更换钳口**。

安装盲铆钉(图A、F)

安装盲铆钉的方法

1. 将盲铆钉 20 放入快换头 1。
2. 如 **正确的手部位置** 所示, 定位工具。
3. 拉动并按住扳机开关 9, 直到铆钉被完全固定在应用中。
4. 待盲铆钉被完全固定后, 松开扳机开关。工具会自动返回到初始位置。
5. 将设备向后倾斜, 心轴将在重力作用下进入芯棒收集盒 5。拉动下一个铆钉, 心轴也将被推入芯棒收集盒。

如果在设定行程结束前松开开关, 工具将立即返回到初始位置。如果盲铆钉没有被完全设置好, 请重复前面的步骤。

清空芯棒收集盒(图D)

在芯棒收集盒 5 完全装满之前, 一定要清空芯棒收集盒, 以防止堵塞。

1. 逆时针旋转芯棒收集盒, 将其拧下。
2. 将芯棒收集盒内的物品倒入一个合适的回收箱或垃圾箱。
3. 顺时针旋转芯棒收集盒, 将其拧回电动工具上。

维护

您的电动工具设计精良, 可以长期使用, 仅需极少维护。若要持续令人满意的工作效果, 则需对工具进行适当的保养和定期清洁。

警告: 为降低严重的人身伤害风险, 在进行任何调整或取出/安装附件或配件之前, 请关闭工具并断开电池包连接。意外启动可能会导致人身伤害。

充电器和电池组无法维修。

维护频率

项目	频率
一般工具检查	每天
清洁和润滑鼻部设备	每5,000个铆钉

*建议联系授权维修中心

清洁

警告: 电击和机械危险。清洁前, 请将电器与电源断开。

警告: 为确保操作安全、有效, 请注意清洁电器和通风槽。

警告: 不得使用溶剂或其它刺激性化学制品来清洁工具的非金属部件。这些化学物质可能会削弱这些部位使用的材料。请用布蘸温和的肥皂水擦拭。不得让任何液体渗入工具, 不得让工具的任何部件浸在液体中

通风槽可以用干燥、柔软的非金属刷和/或合适的吸尘器进行清洁。请勿使用水或任何清洁剂。请戴上合格的护目镜和防尘面具。

清洁鼻部设备或更换钳口(图A、H)

1. 松开鼻罩螺母 4。卸下鼻罩 3 和鼻罩螺母。
2. 用干布清洁鼻罩内部。
3. 如箭头所示, 拉回锁紧套 17。
4. 松开拉壳 18。
5. 用一块干布清洁钳口 19 和钳口推杆。如有必要, 用备用钳口 13 更换钳口。注意: 更换钳口时, 只使用 DEWALT 品牌的钳口。
6. 在钳口组件 19 的外部涂上油脂。
7. 将钳口组件 19 放入拉壳 18, 并将其安装在工具上。用手拧紧拉壳, 并确保其被锁紧套 17 所固定。
注意: 建议使用二硫化钼基润滑脂。
8. 安装鼻罩和鼻罩螺母, 用手拧紧。

清洁工具外部(图A)

确保无刷电机的排气口 7 没有灰尘和污垢。如有必要, 用一块柔软的湿布清除排气口的灰尘和污垢。一旦看到通风口及其周围积聚了尘屑, 请用干燥的空气将灰尘和尘屑从主电动工具外壳内吹出。

可选配件

警告: 由于除 DEWALT 提供的配件外, 其他配件没有经过本产品的测试, 因此将这些配件与本工具一起使用可能会有危险。为了减少受伤的风险, 本产品仅可使用 DEWALT 推荐的配件。

请向您的经销商咨询更多关于合适附件的信息。

保护环境



分类回收。由此符号标记的产品和电池不得与普通家庭垃圾一起处理。

产品和电池组含可恢复或回收的材料，从而降低对原材料的需求。请根据当地规定回收电子产品和电池。要获得更多信息，请参看www.2helpU.com。

充电式电池组

本电池组使用寿命长，不能提供顺利完成工作所需的电力时，必须进行充电。电池技术寿命结束时，请妥善处理以保护环境：

- 耗尽电池组的电力，然后将其从工具上拆下。
- 锂离子电池是可回收的。请将它们送往您的经销商处或当地的回收站。回收的电池组将被妥善循环使用或处理。

售后服务和维修

DEWALT 维修中心拥有经过培训的人员，能够为顾客提供高效、可靠的产品服务。如果您通过未获授权的维修中心进行维修，我们不会承担任何责任。您可以参见产品包装中的“联系中心定位器”宣传单页，通过热线电话、网站或社交媒体联系我们，找到距离您最近的 DEWALT 服务中心。

制造商：百得美国公司

地址：701 East Joppa Rd. TW050 MD21286,
Towson, 美国

产地：江苏苏州

