

**DEWALT**®

**XR**®

---

English (*original instructions*)

3

---

简体中文

14

---

Fig. A  
图A

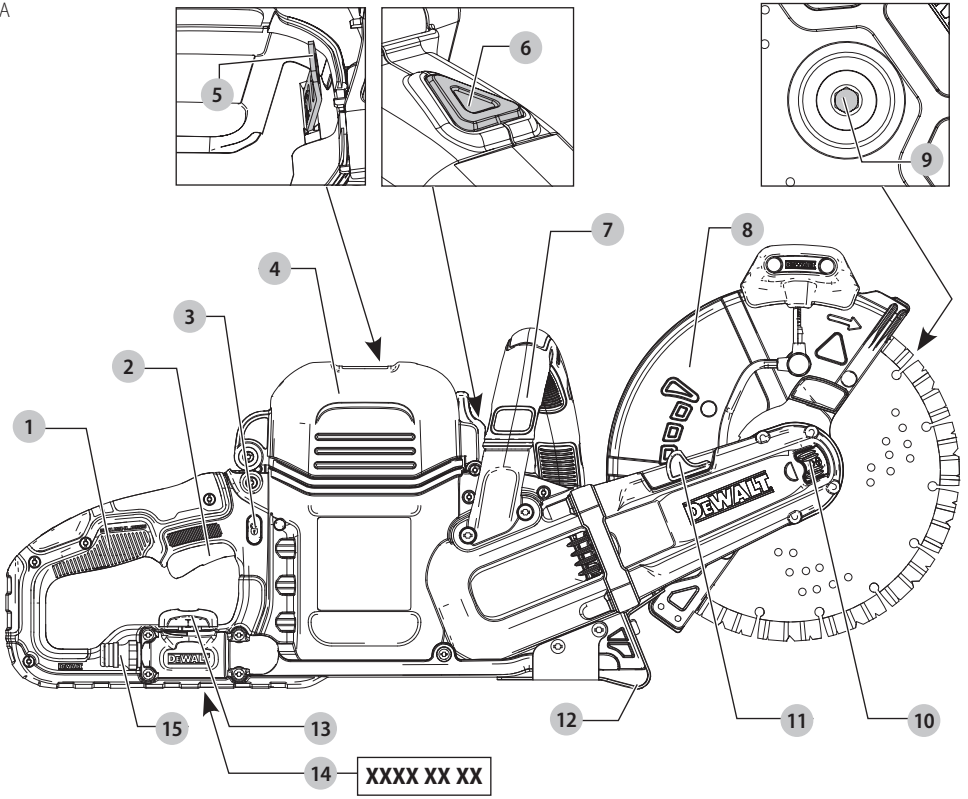


Fig. B  
图B

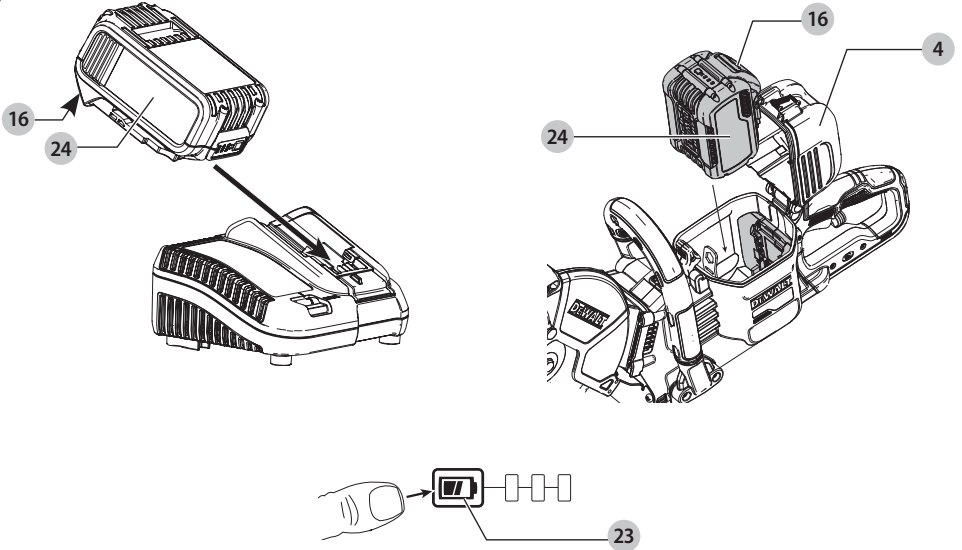


Fig. C  
图C

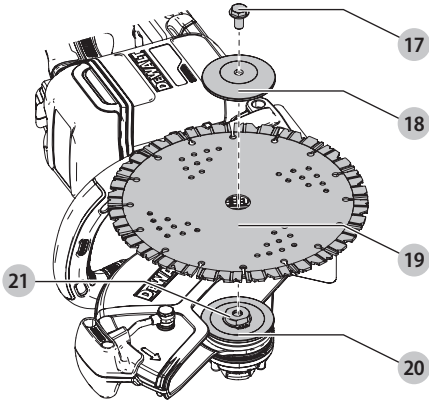


Fig. D  
图D

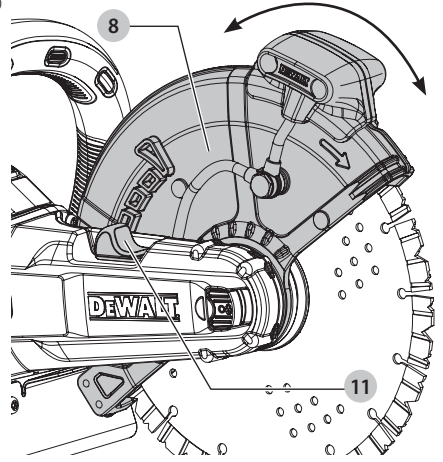


Fig. E  
图E

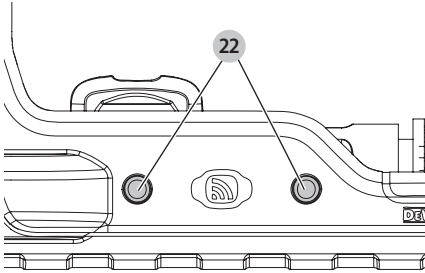


Fig. F  
图F

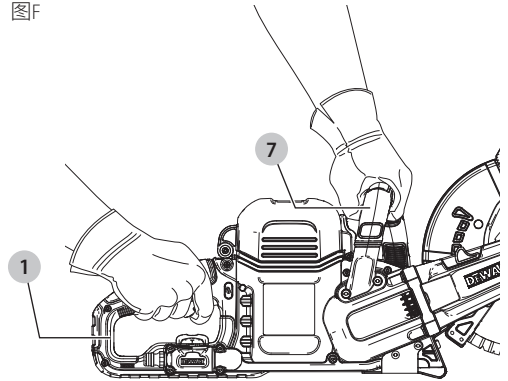


Fig. G  
图G

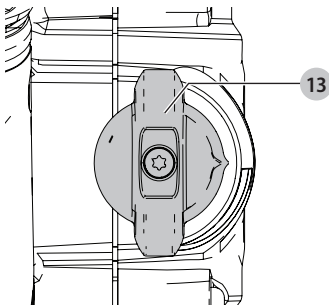
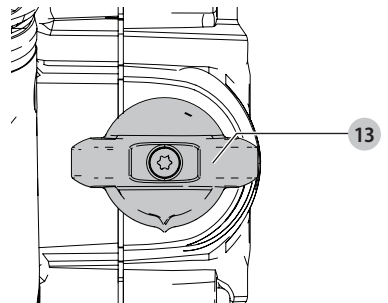


Fig. H  
图H



# CUT-OFF TOOL

## DCS691

### Congratulations!

You have chosen a DEWALT tool. Years of experience, thorough product development and innovation make DEWALT one of the most reliable partners for professional power tool users.

### Technical Data

		DCS691
Voltage	V <sub>DC</sub>	54 (60 Max)
Battery type		Li-Ion
Wheel diameter	mm	230
Wheel bore	mm	22.2
No load/rated speed	min <sup>-1</sup>	6600
Wheel perimeter thickness (max.)		
Metal	mm	3.6
Resin-bonded	mm	3.6
Thread size		M8
Water quick connector	mm	12.5
Weight (without battery pack)	kg	5.7

Batteries				Chargers / Charge Times (Minutes)						
Cat#	V <sub>DC</sub>	Ah	Weight(kg)	DCB104	DCB107	DCB112	DCB115	DCB117 DCB1112	DCB118	DCB132
DCB546/DCB606	18/54 (20/60 Max)	6.0/2.0	1.08	60	270	170	90	40	60	90
DCB547/DCB609	18/54 (20/60 Max)	9.0/3.0	1.46	75*	420	270	135*	60	75*	135*
DCB548/DCB612	18/54 (20/60 Max)	12.0/4.0	1.46	120	540	350	180	80	120	180
DCB549/DCB615	18/54 (20/60 Max)	15.0/5.0	2.12	125	730	450	230	90	125	230

\*Date code 201811475B or later



**WARNING:** To reduce the risk of injury, read the instruction manual.

### Definitions: Safety Guidelines

The definitions below describe the level of severity for each signal word. Please read the manual and pay attention to these symbols.



**DANGER:** Indicates an imminently hazardous situation which, if not avoided, **will** result in **death or serious injury**.



**WARNING:** Indicates a potentially hazardous situation which, if not avoided, **could** result in **death or serious injury**.



**CAUTION:** Indicates a potentially hazardous situation which, if not avoided, **may** result in **minor or moderate injury**.

**NOTICE:** Indicates a practice **not** related to **personal injury** which, if not avoided, **may** result in **property damage**.



Denotes risk of electric shock.



Denotes risk of fire.

### GENERAL POWER TOOL SAFETY WARNINGS



**WARNING:** Read all safety warnings, instructions, illustrations and specifications provided with this power tool. Failure to follow all instructions listed below may result in electric shock, fire and/or serious injury.

#### SAVE ALL WARNINGS AND INSTRUCTIONS FOR FUTURE REFERENCE

The term "power tool" in the warnings refers to your mains-operated (corded) power tool or battery-operated (cordless) power tool.

#### Work Area Safety

- Keep work area clean and well lit.** Cluttered or dark areas invite accidents.
- Do not operate power tools in explosive atmospheres, such as in the presence of flammable liquids, gases or dust.** Power tools create sparks which may ignite the dust or fumes.

- c) **Keep children and bystanders away while operating a power tool.** Distractions can cause you to lose control.

## Electrical Safety

- a) **Power tool plugs must match the outlet. Never modify the plug in any way. Do not use any adapter plugs with earthed (grounded) power tools.**  
Unmodified plugs and matching outlets will reduce risk of electric shock.
- b) **Avoid body contact with earthed or grounded surfaces, such as pipes, radiators, ranges and refrigerators.** There is an increased risk of electric shock if your body is earthed or grounded.
- c) **Do not expose power tools to rain or wet conditions.**  
Water entering a power tool will increase the risk of electric shock.
- d) **Do not abuse the cord. Never use the cord for carrying, pulling or unplugging the power tool. Keep cord away from heat, oil, sharp edges or moving parts.** Damaged or entangled cords increase the risk of electric shock.
- e) **When operating a power tool outdoors, use an extension cord suitable for outdoor use.** Use of a cord suitable for outdoor use reduces the risk of electric shock.
- f) **If operating a power tool in a damp location is unavoidable, use a residual current device (RCD) protected supply.** Use of an RCD reduces the risk of electric shock.

## Personal Safety

- a) **Stay alert, watch what you are doing and use common sense when operating a power tool. Do not use a power tool while you are tired or under the influence of drugs, alcohol or medication.** A moment of inattention while operating power tools may result in serious personal injury.
- b) **Use personal protective equipment. Always wear eye protection.** Protective equipment such as a dust mask, non-skid safety shoes, hard hat or hearing protection used for appropriate conditions will reduce personal injuries.
- c) **Prevent unintentional starting. Ensure the switch is in the off-position before connecting to power source and/or battery pack, picking up or carrying the tool.** Carrying power tools with your finger on the switch or energising power tools that have the switch on invites accidents.
- d) **Remove any adjusting key or wrench before turning the power tool on.** A wrench or a key left attached to a rotating part of the power tool may result in personal injury.
- e) **Do not overreach. Keep proper footing and balance at all times.** This enables better control of the power tool in unexpected situations.
- f) **Dress properly. Do not wear loose clothing or jewellery. Keep your hair and clothing away from moving parts.** Loose clothes, jewellery or long hair can be caught in moving parts.
- g) **If devices are provided for the connection of dust extraction and collection facilities, ensure these are**

**connected and properly used.** Use of dust collection can reduce dust-related hazards.

- h) **Do not let familiarity gained from frequent use of tools allow you to become complacent and ignore tool safety principles.** A careless action can cause severe injury within a fraction of a second.

## Power Tool Use and Care

- a) **Do not force the power tool. Use the correct power tool for your application.** The correct power tool will do the job better and safer at the rate for which it was designed.
- b) **Do not use the power tool if the switch does not turn it on and off.** Any power tool that cannot be controlled with the switch is dangerous and must be repaired.
- c) **Disconnect the plug from the power source and/or remove the battery pack, if detachable, from the power tool before making any adjustments, changing accessories, or storing power tools.** Such preventive safety measures reduce the risk of starting the power tool accidentally.
- d) **Store idle power tools out of the reach of children and do not allow persons unfamiliar with the power tool or these instructions to operate the power tool.** Power tools are dangerous in the hands of untrained users.
- e) **Maintain power tools and accessories. Check for misalignment or binding of moving parts, breakage of parts and any other condition that may affect the power tool's operation. If damaged, have the power tool repaired before use.** Many accidents are caused by poorly maintained power tools.
- f) **Keep cutting tools sharp and clean.** Properly maintained cutting tools with sharp cutting edges are less likely to bind and are easier to control.
- g) **Use the power tool, accessories and tool bits etc. in accordance with these instructions, taking into account the working conditions and the work to be performed.** Use of the power tool for operations different from those intended could result in a hazardous situation.
- h) **Keep handles and grasping surfaces dry, clean and free from oil and grease.** Slippery handles and grasping surfaces do not allow for safe handling and control of the tool in unexpected situations.

## Battery Tool Use and Care

- a) **Recharge only with the charger specified by the manufacturer.** A charger that is suitable for one type of battery pack may create a risk of fire when used with another battery pack.
- b) **Use power tools only with specifically designated battery packs.** Use of any other battery packs may create a risk of injury and fire.
- c) **When battery pack is not in use, keep it away from other metal objects, like paper clips, coins, keys, nails, screws or other small metal objects, that can make a connection from one terminal to another.** Shorting the battery terminals together may cause burns or a fire.

- d) **Under abusive conditions, liquid may be ejected from the battery; avoid contact. If contact accidentally occurs, flush with water. If liquid contacts eyes, additionally seek medical help.** Liquid ejected from the battery may cause irritation or burns.
- e) **Do not use a battery pack or tool that is damaged or modified.** Damaged or modified batteries may exhibit unpredictable behaviour resulting in fire, explosion or risk of injury.
- f) **Do not expose a battery pack or tool to fire or excessive temperature.** Exposure to fire or temperature above 130 °C may cause explosion.
- g) **Follow all charging instructions and do not charge the battery pack or tool outside the temperature range specified in the instructions.** Charging improperly or at temperatures outside the specified range may damage the battery and increase the risk of fire.
- g) **The outside diameter and the thickness of your accessory must be within the capacity rating of your power tool.** Incorrectly sized accessories cannot be adequately guarded or controlled.
- h) **The arbor size of wheels and flanges must properly fit the spindle of the power tool.** Wheels and flanges with arbour holes that do not match the mounting hardware of the power tool will run out of balance, vibrate excessively and may cause loss of control.
- i) **Do not use damaged wheels. Before each use, inspect the wheels for chips and cracks. If power tool or wheel is dropped, inspect for damage or install an undamaged wheel. After inspecting and installing the wheel, position yourself and bystanders away from the plane of the rotating wheel and run the power tool at maximum no load speed for one minute.** Damaged wheels will normally break apart during this test time.

## Service

- a) **Have your power tool serviced by a qualified repair person using only identical replacement parts.** This will ensure that the safety of the power tool is maintained.
- b) **Never service damaged battery packs.** Service of battery packs should only be performed by the manufacturer or authorized service providers.
- j) **Wear personal protective equipment. Depending on application, use face shield, safety goggles or safety glasses. As appropriate, wear dust mask, hearing protectors, gloves and shop apron capable of stopping small abrasive or workpiece fragments. The eye protection must be capable of stopping flying debris generated by various operations. The dust mask or respirator must be capable of filtering particles generated by your operation.** Prolonged exposure to high intensity noise may cause hearing loss.

## Additional Specific Safety Instructions for Cut-Off Machines

- a) **The guard provided with the tool must be securely attached to the power tool and positioned for maximum safety, so the least amount of wheel is exposed towards the operator. Position yourself and bystanders away from the plane of the rotating wheel.** The guard helps to protect operator from broken wheel fragments and accidental contact with wheel.
- b) **Use only bonded reinforced wheels or diamond blades for your power tool.** Just because an accessory can be attached to your power tool, it does not assure safe operation.
- c) **The rated speed of the accessory must be at least equal to the maximum speed marked on the power tool.** Accessories running faster than their rated speed can break and fly apart.
- d) **Wheels must be used only for recommended applications. For example: do not grind with the side of cut-off wheel.** Abrasive cut-off wheels are intended for peripheral grinding, side forces applied to these wheels may cause them to shatter.
- e) **Always use undamaged wheel flanges that are of correct diameter for your selected wheel.** Proper wheel flanges support the wheel thus reducing the possibility of wheel breakage.
- f) **Do not use worn down reinforced wheels from larger power tools.** Wheels intended for a larger power tool are not suitable for the higher speed of a smaller tool and may burst.
- k) **Keep bystanders a safe distance away from work area. Anyone entering the work area must wear personal protective equipment.** Fragments of workpiece or of a broken wheel may fly away and cause injury beyond immediate area of operation.
- l) **Hold the power tool by insulated gripping surfaces only, when performing an operation where the cutting accessory may contact hidden wiring.** Cutting accessory contacting a "live" wire may make exposed metal parts of the power tool "live" and could give the operator an electric shock.
- m) **Never lay the power tool down until the accessory has come to a complete stop.** The spinning wheel may grab the surface and pull the power tool out of your control.
- n) **Do not run the power tool while carrying it at your side.** Accidental contact with the spinning accessory could snag your clothing, pulling the accessory into your body.
- o) **Regularly clean the power tool's air vents.** The motor's fan will draw the dust inside the housing and excessive accumulation of powdered metal may cause electrical hazards.
- p) **Do not operate the power tool near flammable materials.** Sparks could ignite these materials.
- q) **Do not use accessories that require liquid coolants.** Using water or other liquid coolants may result in electrocution or shock.

## Kickback and Related Warnings

Kickback is a sudden reaction to a pinched or snagged rotating wheel. Pinching or snagging causes rapid stalling of the rotating wheel which in turn causes the uncontrolled power tool to be forced in the direction opposite of the wheel's rotation at the point of the binding.

For example, if an abrasive wheel is snagged or pinched by the workpiece, the edge of the wheel that is entering into the pinch point can dig into the surface of the material causing the wheel to climb out or kick out. The wheel may either jump toward or away from the operator, depending on direction of the wheel's movement at the point of pinching. Abrasive wheels may also break under these conditions.

Kickback is the result of power tool misuse and/or incorrect operating procedures or conditions and can be avoided by taking proper precautions as given below.

- a) **Maintain a firm grip on the power tool and position your body and arm to allow you to resist kickback forces. Always use auxiliary handle, if provided, for maximum control over kickback or torque reaction during start-up.** The operator can control torque reactions or kickback forces, if proper precautions are taken.
- b) **Never place your hand near the rotating accessory.** Accessory may kickback over your hand.
- c) **Do not position your body in line with the rotating wheel.** Kickback will propel the tool in direction opposite to the wheel's movement at the point of snagging.
- d) **Use special care when working corners, sharp edges etc. Avoid bouncing and snagging the accessory.** Corners, sharp edges or bouncing have a tendency to snag the rotating accessory and cause loss of control or kickback.
- e) **Do not attach a saw chain, woodcarving blade, segmented diamond wheel with a peripheral gap greater than 10 mm or toothed saw blade.** Such blades create frequent kickback and loss of control.
- f) **Do not "jam" the wheel or apply excessive pressure. Do not attempt to make an excessive depth of cut.** Overstressing the wheel increases the loading and susceptibility to twisting or binding of the wheel in the cut and the possibility of kickback or wheel breakage.
- g) **When wheel is binding or when interrupting a cut for any reason, switch off the power tool and hold the power tool motionless until the wheel comes to a complete stop. Never attempt to remove the wheel from the cut while the wheel is in motion otherwise kickback may occur.** Investigate and take corrective action to eliminate the cause of wheel binding.
- h) **Do not restart the cutting operation in the workpiece. Let the wheel reach full speed and carefully re-enter the cut.** The wheel may bind, walk up or kickback if the power tool is restarted in the workpiece.
- i) **Support panels or any oversized workpiece to minimize the risk of wheel pinching and kickback.**

**Large workpieces tend to sag under their own weight.** Supports must be placed under the workpiece near the line of cut and near the edge of the workpiece on both sides of the wheel.

- j) **Use extra caution when making a "pocket cut" into existing walls or other blind areas.** The protruding wheel may cut gas or water pipes, electrical wiring or objects that can cause kickback.

## Additional Safety Information

- **Do not use the upper quarter of the wheel for cutting.** Serious injury may result due to kickback.
- **Use of accessories not specified in this manual is not recommended and may be hazardous.** Use of power boosters that would cause the tool to be driven at speeds greater than its rated speed constitutes misuse.
- **Do not use circular saw blades with this tool.** Serious injury may result.
- **Avoid bouncing the wheel or giving it rough treatment.** If this occurs, stop the tool and inspect the wheel for cracks or flaws.
- **Direct sparks away from operator, bystanders or flammable materials.** Sparks may be produced while using a sander or grinder. Sparks may cause burns or start fires.
- **Always use front handle. Tighten the handle securely.** The front handle should always be used to maintain control of the tool at all times.
- **Never cut into area that may contain electrical wiring or piping.** Serious injury may result.
- **Clean out your tool often, especially after heavy use.** Dust and grit containing metal particles often accumulate on interior surfaces and could create an electric shock hazard.
- **Do not operate this tool for long periods of time.** Vibration caused by tool action may be harmful to your hands and arms. Use gloves to provide extra cushion and limit exposure by taking frequent rest periods.
- **Dust, crystalline material, vapor and smoke may be produced while working.** Always wear a dust mask or respiratory protection. Danger for health!

## Residual Risks

In spite of the application of the relevant safety regulations and the implementation of safety devices, certain residual risks cannot be avoided. These are:

- Impairment of hearing.
- Risk of personal injury due to flying particles.
- Risk of burns due to accessories becoming hot during operation.
- Risk of personal injury due to prolonged use.
- Health hazards caused by breathing dust developed when working in concrete and/or masonry.

## Chargers

DEWALT chargers require no adjustment and are designed to be as easy as possible to operate.



## Electrical Safety

The electric motor has been designed for one voltage only. Always check that the battery pack voltage corresponds to the voltage on the rating plate. Also make sure that the voltage of your charger corresponds to that of your mains.



Your DEWALT charger is double insulated in accordance with IEC 60335; therefore no earth wire is required.

If the supply cord is damaged, it must be replaced only by DEWALT or an authorised service organisation.

## Using an Extension Cable

An extension cord should not be used unless absolutely necessary. Use an approved extension cable suitable for the power input of your charger (see **Technical Data**). The minimum conductor size is 1 mm<sup>2</sup>; the maximum length is 30 m.

When using a cable reel, always unwind the cable completely.

## Important Safety Instructions for All Battery Chargers

**SAVE THESE INSTRUCTIONS:** This manual contains important safety and operating instructions for compatible battery chargers (refer to **Technical Data**).

- Before using charger, read all instructions and cautionary markings on charger, battery pack, and product using battery pack.



**WARNING:** Shock hazard. Do not allow any liquid to get inside charger. Electric shock may result.



**WARNING:** We recommend the use of a residual current device with a residual current rating of 30mA or less.



**CAUTION:** Burn hazard. To reduce the risk of injury, charge only DEWALT rechargeable batteries. Other types of batteries may burst causing personal injury and damage.



**CAUTION:** Children should be supervised to ensure that they do not play with the appliance.

**NOTICE:** Under certain conditions, with the charger plugged into the power supply, the exposed charging contacts inside the charger can be shorted by foreign material. Foreign materials of a conductive nature such as, but not limited to, steel wool, aluminum foil or any buildup of metallic particles should be kept away from charger cavities. Always unplug the charger from the power supply when there is no battery pack in the cavity. Unplug charger before attempting to clean.

- **DO NOT attempt to charge the battery pack with any chargers other than the ones in this manual.** The charger and battery pack are specifically designed to work together.
- **These chargers are not intended for any uses other than charging DEWALT rechargeable batteries.** Any other uses may result in risk of fire, electric shock or electrocution.
- **Do not expose charger to rain or snow.**
- **Pull by plug rather than cord when disconnecting charger.** This will reduce risk of damage to electric plug and cord.
- **Make sure that cord is located so that it will not be stepped on, tripped over, or otherwise subjected to damage or stress.**

- **Do not use an extension cord unless it is absolutely necessary.** Use of improper extension cord could result in risk of fire, electric shock, or electrocution.
- **Do not place any object on top of charger or place the charger on a soft surface that might block the ventilation slots and result in excessive internal heat.** Place the charger in a position away from any heat source. The charger is ventilated through slots in the top and the bottom of the housing.
- **Do not operate charger with damaged cord or plug—** have them replaced immediately.
- **Do not operate charger if it has received a sharp blow, been dropped, or otherwise damaged in any way.** Take it to an authorised service centre.
- **Do not disassemble charger; take it to an authorised service centre when service or repair is required.** Incorrect reassembly may result in a risk of electric shock, electrocution or fire.
- In case of damaged power supply cord, the supply cord must be replaced immediately by the manufacturer, its service agent or similar qualified person to prevent any hazard.
- **Disconnect the charger from the outlet before attempting any cleaning. This will reduce the risk of electric shock.** Removing the battery pack will not reduce this risk.
- **NEVER** attempt to connect two chargers together.
- **The charger is designed to operate on standard 220-240V household electrical power. Do not attempt to use it on any other voltage.** This does not apply to the vehicular charger.







## Charging a Battery (Fig. B)

1. Plug the charger into an appropriate outlet before inserting battery pack.
2. Insert the battery pack **24** into the charger, making sure the battery pack is fully seated in the charger. The red (charging) light will blink repeatedly indicating that the charging process has started.
3. The completion of charge will be indicated by the red light remaining ON continuously. The battery pack is fully charged and may be used at this time or left in the charger. To remove the battery pack from the charger, push the battery release button **16** on the battery pack.

**NOTE:** To ensure maximum performance and life of lithium-ion battery packs, charge the battery pack fully before first use.

## Charger Operation

Refer to the indicators below for the charge status of the battery pack.

Charge Indicators		
	Charging	
	Fully Charged	
	Hot/Cold Pack Delay*	

\*The red light will continue to blink, but a yellow indicator light will be illuminated during this operation. Once the battery pack has reached an appropriate temperature, the yellow light will turn off and the charger will resume the charging procedure.

The compatible charger(s) will not charge a faulty battery pack. The charger will indicate faulty battery by refusing to light.

**NOTE:** This could also mean a problem with a charger.

If the charger indicates a problem, take the charger and battery pack to be tested at an authorised service centre.

### Hot/Cold Pack Delay

When the charger detects a battery pack that is too hot or too cold, it automatically starts a Hot/Cold Pack Delay, suspending charging until the battery pack has reached an appropriate temperature. The charger then automatically switches to the pack charging mode. This feature ensures maximum battery pack life.

A cold battery pack will charge at a slower rate than a warm battery pack. The battery pack will charge at that slower rate throughout the entire charging cycle and will not return to maximum charge rate even if the battery pack warms.

The DCB118 charger is equipped with an internal fan designed to cool the battery pack. The fan will turn on automatically when the battery pack needs to be cooled. Never operate the charger if the fan does not operate properly or if ventilation slots are blocked. Do not permit foreign objects to enter the interior of the charger.

### Electronic Protection System

XR Li-Ion tools are designed with an Electronic Protection System that will protect the battery pack against overloading, overheating or deep discharge.

The tool will automatically turn off if the Electronic Protection System engages. If this occurs, place the lithium-ion battery pack on the charger until it is fully charged.

### Wall Mounting

These chargers are designed to be wall mountable or to sit upright on a table or work surface. If wall mounting, locate the charger within reach of an electrical outlet, and away from a corner or other obstructions which may impede air flow. Use the back of the charger as a template for the location of the mounting screws on the wall. Mount the charger securely using drywall screws (purchased separately) at least 25.4 mm long with a screw head diameter of 7–9 mm, screwed into wood to an optimal depth leaving approximately 5.5 mm of the screw exposed. Align the slots on the back of the charger with the exposed screws and fully engage them in the slots.

### Charger Cleaning Instructions



**WARNING: Shock hazard. Disconnect the charger from the AC outlet before cleaning.** Dirt and grease may be removed from the exterior of the charger using a cloth or soft non-metallic brush. Do not use water or any cleaning solutions. Never let any liquid get inside the tool; never immerse any part of the tool into a liquid.

## Battery Packs

### Important Safety Instructions for All Battery Packs

When ordering replacement battery packs, be sure to include catalogue number and voltage.

The battery pack is not fully charged out of the carton. Before using the battery pack and charger, read the safety instructions below. Then follow charging procedures outlined.

### READ ALL INSTRUCTIONS

- **Do not charge or use battery in explosive atmospheres, such as in the presence of flammable liquids, gases or dust.** Inserting or removing the battery from the charger may ignite the dust or fumes.
- **Never force battery pack into charger. Do not modify battery pack in any way to fit into a non-compatible charger as battery pack may rupture causing serious personal injury.**
- Charge the battery packs only in DEWALT chargers.
- **DO NOT splash or immerse in water or other liquids.**
- **Do not store or use the tool and battery pack in locations where the temperature may fall below 4 °C (39.2 °F) (such as outside sheds or metal buildings in winter), or reach or exceed 40 °C (104 °F) (such as outside sheds or metal buildings in summer).**
- **Do not incinerate the battery pack even if it is severely damaged or is completely worn out.** The battery pack can explode in a fire. Toxic fumes and materials are created when lithium-ion battery packs are burned.
- **If battery contents come into contact with the skin, immediately wash area with mild soap and water.** If battery liquid gets into the eye, rinse water over the open eye for 15 minutes or until irritation ceases. If medical attention is needed, the battery electrolyte is composed of a mixture of liquid organic carbonates and lithium salts.
- **Contents of opened battery cells may cause respiratory irritation.** Provide fresh air. If symptoms persists, seek medical attention.



**WARNING: Burn hazard.** Battery liquid may be flammable if exposed to spark or flame.



**WARNING: Never attempt to open the battery pack for any reason.** If battery pack case is cracked or damaged, do not insert into charger. Do not crush, drop or damage battery pack. Do not use a battery pack or charger that has received a sharp blow, been dropped, run over or damaged in any way (i.e., pierced with a nail, hit with a hammer, stepped on). Electric shock or electrocution may result. Damaged battery packs should be returned to service centre for recycling.



**WARNING: Fire hazard. Do not store or carry the battery pack so that metal objects can contact exposed battery terminals.** For example, do not place the battery pack in aprons, pockets, tool boxes, product kit boxes, drawers, etc., with loose nails, screws, keys, etc.

**CAUTION:** When not in use, place tool on its side on a stable surface where it will not cause a tripping or falling hazard. Some tools with large battery packs will stand upright on the battery pack but may be easily knocked over.

## Transportation

**WARNING: Fire hazard.** Transporting batteries can possibly cause fire if the battery terminals inadvertently come in contact with conductive materials. When transporting batteries, make sure that the battery terminals are protected and well insulated from materials that could contact them and cause a short circuit. **NOTE:** Lithium-ion batteries should not be put in checked baggage.

DEWALT batteries comply with all applicable shipping regulations as prescribed by industry and legal standards which include UN Recommendations on the Transport of Dangerous Goods; International Air Transport Association (IATA) Dangerous Goods Regulations, International Maritime Dangerous Goods (IMDG) Regulations, and the European Agreement Concerning The International Carriage of Dangerous Goods by Road (ADR). Lithium-ion cells and batteries have been tested to section 38.3 of the UN Recommendations on the Transport of Dangerous Goods Manual of Tests and Criteria.

In most instances, shipping a DEWALT battery pack will be excepted from being classified as a fully regulated Class 9 Hazardous Material. In general, only shipments containing a lithium-ion battery with an energy rating greater than 100 Watt Hours (Wh) will require being shipped as fully regulated Class 9. All lithium-ion batteries have the Watt Hour rating marked on the pack. Furthermore, due to regulation complexities, DEWALT does not recommend air shipping lithium-ion battery packs alone regardless of Watt Hour rating. Shipments of tools with batteries (combo kits) can be air shipped as excepted if the Watt Hour rating of the battery pack is no greater than 100 Wh.

Regardless of whether a shipment is considered excepted or fully regulated, it is the shipper's responsibility to consult the latest regulations for packaging, labeling/marketing and documentation requirements.

The information provided in this section of the manual is provided in good faith and believed to be accurate at the time the document was created. However, no warranty, expressed or implied, is given. It is the buyer's responsibility to ensure that its activities comply with the applicable regulations.

### Transporting the FLEXVOLT™ Battery

The DEWALT FLEXVOLT™ battery has two modes: **Use** and **Transport**.

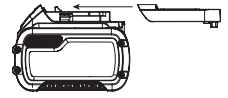
**Use Mode:** When the FLEXVOLT™ battery stands alone or is in a DEWALT 18V (20V Max) product, it will operate as an 18V (20V Max) battery. When the FLEXVOLT™ battery is in a 54V (60V Max) or a 108V (120V Max) (two 54V (60V Max) batteries) product, it will operate as a 54V (60V Max) battery.

**Transport Mode:** When the cap is attached to the FLEXVOLT™ battery, the battery is in Transport mode. Keep the cap for shipping.

When in Transport mode, strings of cells are electrically disconnected within the pack resulting in 3 batteries with a lower Watt hour (Wh) rating as compared to 1 battery with a higher Watt hour rating. This increased quantity of 3 batteries with the lower Watt hour rating can exempt the pack from certain shipping regulations that are imposed upon the higher Watt hour batteries.

For example, the Transport Wh rating might indicate 3 x 36 Wh, meaning 3 batteries of 36 Wh each.

The Use Wh rating might indicate 108 Wh (1 battery implied).



Example of Use and Transport Label Marking

 **Use: 108 Wh**  
 **Transport: 3x36 Wh**

## Storage Recommendations

1. The best storage place is one that is cool and dry away from direct sunlight and excess heat or cold. For optimum battery performance and life, store battery packs at room temperature when not in use.
2. For long storage, it is recommended to store a fully charged battery pack in a cool, dry place out of the charger for optimal results.

**NOTE:** Battery packs should not be stored completely depleted of charge. The battery pack will need to be recharged before use.

## Labels on Charger and Battery Pack

In addition to the pictographs used in this manual, the labels on the charger and the battery pack may show the following pictographs:



Read instruction manual before use.



See **Technical Data** for charging time.



Do not probe with conductive objects.



Do not charge damaged battery packs.



Do not expose to water.



Have defective cords replaced immediately



Charge only between 4 °C and 40 °C.



Only for indoor use.



Discard the battery pack with due care for the environment.



Charge battery packs only with designated DEWALT chargers. Charging battery packs other than the designated DEWALT batteries with a DEWALT charger may make them burst or lead to other dangerous situations.



Do not incinerate the battery pack.



USE (without transport cap). Example: Wh rating indicates 108 Wh (1 battery with 108 Wh).



TRANSPORT (with built-in transport cap). Example: Wh rating indicates 3 x 36 Wh (3 batteries of 36 Wh).

## Battery Type

The following tools operate on a 54 volt (60V Max) battery pack: DCS691

These battery packs may be used: , DCB546, DCB547, DCB548, DCB549, DCB606, DCB609, DCB612, DCB615. Refer to **Technical Data** for more information.

## Package Contents

The package contains:

- 1 Cut off tool
- 1 Diamond blade
- 1 12.7 mm wrench
- 1 Battery charger (X2 version only)
- 2 Li-Ion battery packs (X2 version only)
- 1 Instruction manual

**NOTE:** Battery packs, chargers and kitboxes are not included with N models. Battery packs and chargers are not included with NT models. B models include Bluetooth® battery packs.

**NOTE:** The Bluetooth® word mark and logos are registered trademarks owned by the Bluetooth®, SIG, Inc. and any use of such marks by DEWALT is under license. Other trademarks and trade names are those of their respective owners.

- Check for damage to the tool, parts or accessories which may have occurred during transport.
- Take the time to thoroughly read and understand this manual prior to operation.

## Markings on Tool

The following pictograms are shown on the tool:



Read instruction manual before use.



Wear ear protection.



Wear eye protection.



Risk of dust emission.



Higher risk of kickback! Do not use the upper quarter of the wheel for cutting.

## Date Code Position (Fig. A)

The date code **14**, which also includes the year of manufacture, is printed into the housing.

Example:

2022 XX XX

Year and Week of Manufacture

## Description (Fig. A)



**WARNING:** Never modify the power tool or any part of it. Damage or personal injury could result.

- |                   |                         |
|-------------------|-------------------------|
| 1 Main handle     | 9 Arbor screw           |
| 2 Trigger switch  | 10 Spindle lock button  |
| 3 Lock-off button | 11 Guard rotation lever |
| 4 Battery door    | 12 Shoe                 |
| 5 12.7 mm wrench  | 13 Water valve          |
| 6 LED light       | 14 Date code            |
| 7 Front handle    | 15 Water inlet          |
| 8 Guard           |                         |

## Intended Use

Your cut-off tool is designed for professional cutting applications. Only use wet cut method when cutting concrete.

**DO NOT** use in the presence of flammable liquids or gases.

Your cut-off tool is a professional power tool.

**DO NOT** let children come into contact with the tool.

Supervision is required when inexperienced operators use this tool.

- **Young children and the infirm.** This appliance is not intended for use by young children or infirm persons without supervision.
- This product is not intended for use by persons (including children) suffering from diminished physical, sensory or mental abilities; lack of experience, knowledge or skills unless they are supervised by a person responsible for their safety. Children should never be left alone with this product.
- **DO NOT** cut concrete without connecting the water supply system.

## ASSEMBLY AND ADJUSTMENTS



**WARNING:** To reduce the risk of serious personal injury, turn tool off and disconnect battery pack before making any adjustments or removing/ installing attachments or accessories. An accidental start-up can cause injury.



**WARNING:** Use only DEWALT battery packs and chargers.

## Inserting and Removing the Battery Pack from the Tool (Fig. B)



**WARNING:** Do not work with unlatched battery door. Prevent water entering into the battery compartment.

**NOTE:** Make sure your battery pack **24** is fully charged.

### To Install the Battery Pack into the Tool

1. Unlatch and open the battery door **4**.
2. To install the battery pack **24** into the tool, align the battery pack with the rails inside the tool and slide it in until the battery pack is firmly seated. Ensure that it does not disengage.
3. Close the battery door and ensure it is closed securely.

### To Remove the Battery Pack from the Tool

1. Unlatch and open the battery door.
2. Press the release button **16** and firmly pull the battery pack out of the tool.
3. Insert it into the charger as described in *Charging a Battery*.

Do not leave the battery door open.

### Fuel Gauge Battery Packs (Fig. B)

Some DEWALT battery packs include a fuel gauge which consists of three green LED lights that indicate the level of charge remaining in the battery pack.

To actuate the fuel gauge, press and hold the fuel gauge button **23**. A combination of the three green LED lights will illuminate designating the level of charge left. When the level of charge in the battery is below the usable limit, the fuel gauge will not illuminate and the battery will need to be recharged.

**NOTE:** The fuel gauge is only an indication of the charge left on the battery pack. It does not indicate tool functionality and is subject to variation based on product components, temperature and end-user application.

## Installing Wheels (Fig. A, C)



**WARNING:** Burn Hazard. Sharp parts. ALWAYS wear gloves when changing wheels. Wheels have sharp edges or may get extremely hot during operation, and may damage bare hands.

1. Lay unit on a firm surface, with the spindle **21** facing upward.
2. Hold spindle lock button **10** to keep the spindle from turning.
3. Using supplied 12.7 mm wrench **5** (located in the battery compartment), remove spindle nut **17**, outer clamp washer **18** and used wheel **19** if one is installed. Spindle threads are right hand.
4. The inner clamp washer **20** is held in place with a double D shaft and retaining ring.
5. Slip wheel over spindle. Be sure wheel goes over pilot diameter of inner clamp washer. Slip on outer clamp washer. Start threading on spindle nut which will self align outer clamp washer. Make sure the wheel is fitted in the correct orientation.

6. Engage spindle lock button and tighten nut with wrench. Do not over tighten spindle nut.
7. Turn wheel by hand to ensure it is properly centered. The wheel should not hit the shoe, guard or nut. The nut and flanges should be tight.



**CAUTION:** Only use 230 mm Type 1/41 wheels with 22.2 mm arbor hole with this tool. Never force a wheel onto the machine or alter the size of the arbor hole.

## Adjusting the Guard Angle (Fig. D)



**WARNING:** There is a higher risk of kickback when guard is moved backwards leading to wider opening. The guard must be opened wider only when required.

You can adjust the angle of the guard.

1. To adjust the angle of the guard, pull back the guard rotation lever **11** and hold it.
2. Grasp the guard **8** firmly and rotate to desired angle.
3. Release the guard rotation lever and make sure it engages, locking the guard in place. If the guard rotation lever doesn't engage, rotate the guard slightly until the guard rotation lever returns to the locked position.

## DEWALT Tool Tag Ready (Fig. E)

### Optional Accessory

Your cut-off tool comes with mounting holes **22** and fasteners for installing a DEWALT Tool Tag. You will need a T15 bit tip to install the tag. The DEWALT Tool Tag is designed for tracking and locating professional power tools, equipment, and machines using the DEWALT Tool Connect™ app. For proper installation of the DEWALT Tool Tag refer to the DEWALT Tool Tag manual.

## OPERATION

### Instructions for Use



**WARNING:** Always observe the safety instructions and applicable regulations.



**WARNING:** To reduce the risk of serious personal injury, turn tool off and disconnect battery pack before making any adjustments or removing/installing attachments or accessories. An accidental start-up can cause injury.

### Proper Hand Position (Fig. F)



**WARNING:** To reduce the risk of serious personal injury, ALWAYS use proper hand position as shown.



**WARNING:** To reduce the risk of serious personal injury, ALWAYS hold securely in anticipation of a sudden reaction.

Proper hand position requires one hand on the main handle **1** and one hand on the front handle **7**.

### Spindle Lock Button (Fig. A, C)

The spindle lock button **10** is used to lock the spindle **21** when changing accessories.

1. To engage the spindle lock button, remove the battery pack and make sure trigger switch is in OFF position.

- Depress the spindle lock button and turn the wheel and spindle until the lock button engages the spindle.
- Use supplied wrench **5** to unscrew the spindle nut **17** and remove or mount accessories. Spindle threads are right hand.





## Lock-Off Button (Fig. A)

Your cut-off tool is equipped with a lock-off button **3**. To lock the trigger switch in the OFF position, push the lock-off button from the left side of the tool. To unlock the trigger switch, push the lock-off button from the right side of the tool.



## LED Light (Fig. A)

The LED light **6** will illuminate as a warning when the tool is being pushed too hard. Continuing to use the tool after the LED is lit could cause the tool to hot pack or shut down.



## To Operate (Fig. A)

-  **CAUTION:** Before attempting to start, grasp tool firmly with both hands before lifting.
  -  **WARNING:** Edge cutting can be performed only with wheels that are designed and specified for this purpose. Protect yourself during edge cutting by directing the open side of the guard toward a surface.
  -  **WARNING:** Wheels used for cutting may break or kick back if they bend or twist while the tool is being used to do cut-off work.
  -  **WARNING:** Do not use edge cutting wheels for surface grinding applications because these wheels are not designed for side pressures encountered with surface grinding. Wheel breakage and injury may result.
- Grasp main handle **1** and front handle **7** firmly.
  - Line up wheel with material to be cut. Be sure nothing is near or in line with the wheel.
  - To turn the tool on, depress the trigger switch **2**. Then slowly feed wheel into work with firm pressure. The shoe **12** may be used to help guide the tool when making cuts. Do not force the tool. For maximum efficiency and wheel life, keep the wheel speed high.
  - To stop tool, release trigger switch **2**.

## Wet Cut Method (Fig. A, G, H)

-  **CAUTION:** Never use the saw over head. When using water, limit cutting to the horizontal position to reduce the risk of water entering the tool.
  -  **WARNING:** Wet cut method is to be used only with a diamond blade.
- Attach the water supply to the water inlet **15**.
  - To regulate the water flow, rotate the water valve **13** to the open position as shown in Figure G. To stop the flow of water, rotate the water valve to the closed position as shown in Figure H.
  - Proceed to cut as described in **To Operate**.
  - After work, disconnect the water supply from the tool.

## Applications

-  **WARNING:** NEVER cut magnesium with this tool. Magnesium particles may ignite causing personal injury.
-  **WARNING:** Cutting concrete must ONLY be done using the wet cut method.

- Concrete, cinder blocks and bricks
- Reinforcing rod; generally under 25.4 mm diameter
- 3 mm diameter concrete wire mesh
- Corrugated floor and ceiling form (concrete forms)
- Electrical conduit 3 mm wall thickness
- 3 mm max. thick structural forms such as channel, angles, plate, etc.

**NOTE:** The cutting of materials heavier than those listed above are not recommended due to the possibility of electrical overloading.


## Transportation and Storage

During transportation and storage lock the trigger switch with the lock-off button.

Remove the battery pack during the tool storage.

## MAINTENANCE

Your power tool has been designed to operate over a long period of time with a minimum of maintenance. Continuous satisfactory operation depends upon proper tool care and regular cleaning.

-  **WARNING:** To reduce the risk of serious personal injury, turn tool off and disconnect battery pack before making any adjustments or removing/installing attachments or accessories. An accidental start-up can cause injury.

The charger and battery pack are not serviceable.





## Lubrication

Your power tool requires no additional lubrication.



## Cleaning

-  **WARNING:** Blow dirt and dust out of the main housing with dry air as often as dirt is seen collecting in and around the air vents. Wear approved eye protection and approved dust mask when performing this procedure.
-  **WARNING:** Never use solvents or other harsh chemicals for cleaning the non-metallic parts of the tool. These chemicals may weaken the materials used in these parts. Use a cloth dampened only with water and mild soap. Never let any liquid get inside the tool; never immerse any part of the tool into a liquid.

## Optional Accessories



**WARNING:** Since accessories, other than those offered by DeWALT, have not been tested with this product, use of such accessories with this tool could be hazardous. To reduce the risk of injury, only DEWALT recommended accessories should be used with this product.

Consult your dealer for further information on the appropriate accessories.

## Protecting the Environment



Separate collection. Products and batteries marked with this symbol must not be disposed of with normal household waste.

Products and batteries contain materials that can be recovered or recycled reducing the demand for raw materials. Please recycle electrical products and batteries according to local provisions. Further information is available at [www.2helpU.com](http://www.2helpU.com).

## Rechargeable Battery Pack

This long life battery pack must be recharged when it fails to produce sufficient power on jobs which were easily done before. At the end of its technical life, discard it with due care for our environment:

- Run the battery pack down completely, then remove it from the tool.
- Li-Ion cells are recyclable. Take them to your dealer or a local recycling station. The collected battery packs will be recycled or disposed of properly.

## After Service and Repair

DeWALT service centers are staffed with trained personnel to provide customers with efficient and reliable product service. We do not take any responsibility when you have repaired in unauthorized service center. You can refer to the leaflet of CONTACT CENTER LOCATOR in product package and contact us through hotline, website or social media to find the nearest DEWALT service center around you.

# 锂电无刷切割锯

## DCS691

### 恭喜!

感谢您选购DEWALT工具。凭借多年的产品开发和创新能力，DEWALT已经成为专业电动工具用户最可靠的合作伙伴之一。

### 技术数据

			DCS691
电压	V <sub>DC</sub>		54 (最大60)
电池类型			锂离子
切割片直径	mm		230
切割片内径	mm		22.2
空载转速	min <sup>-1</sup>		6600
切割片厚度(最大值)			
金属	mm		3.6
树脂	mm		3.6
螺纹尺寸			
M8			
供水快速接头			
mm			
重量(无电池包)			
kg			

电池				充电器/充电时间(分钟)						
型号	V <sub>DC</sub>	Ah	重量(kg)	DCB104	DCB107	DCB112	DCB115	DCB117 DCB1112	DCB118	DCB132
DCB546/DCB606	18/54 (20/60 Max)	6.0/2.0	1.08	60	270	170	90	40	60	90
DCB547/DCB609	18/54 (20/60 Max)	9.0/3.0	1.46	75*	420	270	135*	60	75*	135*
DCB548/DCB612	18/54 (20/60 Max)	12.0/4.0	1.46	120	540	350	180	80	120	180
DCB549/DCB615	18/54 (20/60 Max)	15.0/5.0	2.12	125	730	450	230	90	125	230

\*日期码 201811475B 或以后



**警告:**为降低伤害风险,请阅读使用手册。

### 定义:安全指南

下列定义描述了各标志术语的严重程度。请仔细阅读本手册,并注意这些标志。



**危险:**表示存在紧急危险情况,如果不加以避免,将导致死亡或严重伤害。



**警告:**表示存在潜在的危险情况,如果不加以避免,可能导致死亡或严重伤害。



**小心:**表示存在潜在危险情况,如果不加以避免,可能导致轻度或中度伤害。

**注意:**表示存在不涉及人身伤害的情况,如果不加以避免,可能导致财产损失。



表示存在触电风险。



表示存在火灾风险。

### 电动工具通用安全警告



**警告:**请阅读本电动工具随附的所有安全警告、说明、图示和规定。未能遵照以下所列说明会导致电击、火灾和/或严重伤害。

#### 保存所有警告和说明书以备查阅。

警告中的术语“电动工具”指市电驱动(有线)电动工具或电池驱动(无线)电动工具。

#### 工作场地的安全

- 保持工作场地清洁和明亮。杂乱和黑暗的场地会引发事故。
- 不要在易爆环境,如有易燃液体、气体或粉尘的环境下操作电动工具。电动工具产生的火花会点燃粉尘或气体。
- 操作电动工具时,远离儿童和旁观者。注意力不集中会使你失去对工具的控制。



## 电气安全

- a) 电动工具插头必须与插座相配。绝不能以任何方式改装插头。需接地的电动工具不能使用任何转换插头。未经改装的插头和相配的插座将降低电击风险。
- b) 避免人体接触接地表面，如管道、散热片和冰箱。如果你身体接触接地表面会增加电击风险。
- c) 不得将电动工具暴露在雨中或潮湿环境中。水进入电动工具将增加电击风险。
- d) 不得滥用软线。绝不能用软线搬运、拉动电动工具或拔出其插头。使软线远离热源、油、锐边或运动部件。受损或缠绕的软线会增加电击风险。
- e) 当在户外使用电动工具时，使用适合户外使用的延长线。适合户外使用的电线将降低电击风险。
- f) 如果无法避免在潮湿环境中操作电动工具，应使用带有剩余电流装置 (RCD) 保护的电源。RCD 的使用可降低电击风险。

## 人身安全

- a) 保持警觉，当操作电动工具时关注所从事的操作并保持清醒。当你感到疲倦，或在有药物、酒精或治疗反应时，不要操作电动工具。在操作电动工具时瞬间的疏忽会导致严重人身伤害。
- b) 使用个人防护设备。始终佩戴护目镜。防护装置，诸如适当条件下使用防尘面具、防滑安全鞋、安全帽、听力防护等装置能减少人身伤害。
- c) 防止意外启动。在连接电源和/或电池包、拿起或搬运工具前确保开关处于关断位置。手指放在开关上搬运工具或开关处于接通时通电会导致危险。
- d) 在电动工具接通之前，拿掉所有调节钥匙或扳手。遗留在电动工具旋转零件上的扳手或钥匙会导致人身伤害。
- e) 请勿过分伸展。时刻注意立足点和身体平衡。这样能在意外情况下能更好地控制住电动工具。
- f) 着装适当。不要穿宽松衣服或佩戴饰品。让你的头发和衣服远离运动部件。宽松衣服、配饰或长发可能会卷入运动部件。
- g) 如果提供了与排屑、集尘设备连接用的装置，要确保其连接完好且使用得当。使用集尘装置可降低尘屑引起的危险。
- a) 不要因为频繁使用工具而产生的熟悉感而掉以轻心，忽视工具的安全准则。某个粗心的动作可能在瞬间导致严重的伤害。

## 电动工具使用和注意事项

- a) 切勿强制使用电动工具。根据用途使用合适的电动工具。选用合适的按照额定值设计的电动工具会使你工作更有效、更安全。
- b) 如果开关不能接通或关断电源，则不能使用该电动工具。不能通过开关来控制的电动工具是危险的且必须进行修理。
- c) 在进行任何调节、更换附件或贮存电动工具之前，必须从电源上拔掉插头和/或卸下电池包（如可拆卸）。这种防护性的安全措施降低了电动工具意外启动的风险。

- d) 将闲置不用的电动工具贮存在儿童所及范围之外，并且不允许不熟悉电动工具和不了解这些说明的人操作电动工具。电动工具在未经培训的使用者手中是危险的。
- e) 维护电动工具及其附件。检查运动部件是否调整到位或卡住，检查零件破损情况和影响电动工具运行的其他状况。如有损坏，应在使用前修理好电动工具。许多事故是由维护不良的电动工具引发的。
- f) 保持切削刀具锋利和清洁。维护良好地有锋利切削刃的刀具不易卡住而且容易控制。
- g) 按照使用说明，并考虑作业条件和要进行的作业来选择电动工具、附件和工具的刀头等。将电动工具用于那些与其用途不符的操作可能会导致危险情况。
- h) 保持手柄和握持表面干燥、清洁，不得沾有油脂。在意外的情况下，湿滑的手柄不能保证握持的安全和对工具的控制。

## 电池式工具使用和注意事项

- a) 仅使用生产者规定的充电器充电。将适用于某种电池包的充电器用到其他电池包时可能会发生着火危险。
- b) 仅使用配有专用电池包的电动工具。使用其他电池包可能会产生伤害和着火危险。
- c) 当电池包不使用时，将它远离其他金属物体，例如回形针、硬币、钥匙、钉子、螺钉或其他小金属物体，以防电池包一端与另一端连接。电池包端部短路会引起燃烧或着火。
- d) 在滥用条件下，液体可能会从电池包中溅出，应避免接触。如果意外碰到液体，用水冲洗。如果液体碰到了眼睛，还应寻求医疗帮助。从电池中溅出的液体可能会发生腐蚀或燃烧。
- e) 不要使用损坏或改装过的电池包或工具。损坏或改装过的电池包可能呈现无法预测的结果，导致着火、爆炸或伤害。
- f) 不要将电池包暴露于火或高温中。电池包暴露于火或高于130°C的高温中可能导致爆炸。
- g) 请遵循所有充电说明，请勿在说明中规定的温度范围以外的环境对电池包或工具充电。不当或在指定范围以外的温度下充电，可能导致电池损坏并增加火灾风险。

## 维修

- a) 让专业维修人员使用相同的备件维修电动工具。这将保证所维修的电动工具的安全。
- b) 切勿维修损坏的电池包。电池包仅能由生产者或其授权的维修服务商进行维修

## 切割锯的更多具体安全说明

- a) 提供了工具的防护装置必须牢固地连接到电动工具上，并放置在最安全的位置，这样切割片对操作员的暴露程度最小。请您和旁观者远离旋转切割片的平面。防护装置有助于保护操作员免受损坏的切割片碎片和意外接触切割片的伤害。
- b) 电动工具仅可用加筋切割片或金刚石锯片。若仅将一个配件连接到电动工具，并不能保证安全操作。

- c) 配件的额定速度必须至少等于电动工具上标记的最大速度。配件的运行速度超过其额定速度可能会导致断裂和飞散。
- d) 切割轮仅可用于推荐用途。例如：切勿用切割轮的侧面进行磨削。切割片切割轮用于周边磨削，施加在切割轮上的侧向力可能会导致其破碎。
- e) 始终使用未损坏的切割片法兰，其直径与所选切割片直径一致。合适的切割片法兰可支撑切割片，从而降低切割片破碎的可能性。
- f) 切勿使用大型电动工具上磨损的加筋切割片。用于大型电动工具的切割片不适合高速度的小型工具，因为可能会发生爆裂。
- g) 配件的外径和厚度必须在电动工具的额定容量内。尺寸不适合的配件无法得到充分保护或控制。
- h) 切割片和法兰的轴心尺寸必须与电动工具的主轴相配。带有与电动工具的安装硬件不匹配的轴孔的切割片和法兰将失去平衡，过度振动也可能造成失控。
- i) 请勿使用损坏的切割片。每次使用前，检查切割片是否存在缺口和裂纹。如果电动工具或切割片掉落，请检查是否有损坏或重新安装一个完好无损的切割片。检查和安装切割片后，请您和旁观者远离旋转切割片的平面，并以最大的空载速度运行电动工具一分钟。通常，受损的切割片会在这个测试时间内破裂。
- j) 请佩戴个人防护装置。根据不同的应用，使用面罩、安全护目镜或安全眼镜。适当条件下，佩戴防尘面具、听力保护器、手套以及能够阻止小的磨料或工件碎片的车间围裙。护目镜必须能够阻止各种操作产生的飞行碎片。防尘面具或呼吸器必须能够过滤操作中产生的颗粒。长时间暴露于高强度的噪音中可能会导致听力损失。
- k) 旁观者与工作区保持安全距离。任何进入工作区的人必须佩戴个人防护装置。工件碎片或破损的切割片可能会到处乱飞，并造成操作区域以外的伤害。
- l) 进行切割配件可能接触到隐蔽线路的操作时，仅可用绝缘的抓握面握住电动工具。切割配件接触到“带电”的电线可能会使电动工具的裸露金属部分“带电”，并导致操作人员触电。
- m) 在配件完全停止之前，切勿将电动工具放下。旋转的切割片可能会抓住表面，导致电动工具不受控制。
- n) 当电动工具在身边时，切勿启动。意外接触到快速旋转的配件可能会勾住您的衣服，将配件拉到您的身体中。
- o) 定期清洁电动工具的通风口。电机的风扇会将灰尘吸入外壳内，过多的金属粉末堆积可能导致电气危险。
- p) 切勿在易燃材料附近操作电动工具。火花可能会点燃这些材料。
- q) 切勿使用需要液体冷却剂的配件。使用水或其他液体冷却剂可能导致触电或电击。

## 回旋和相关警告

回旋是指旋转切割片被夹住或卡住时的突然反应。夹住或卡住会导致旋转的切割片迅速停滞，因此又会导致不受控制的电动工具在连接点被迫向与切割片旋转相反的方向转动。

例如，如果切割片被工件卡住或夹住，进入夹点的切割片边缘可能会挖进材料表面，导致切割片爬出或踢出。根据切割片在夹点处的运动方向，切割片可能会脱离或远离操作员。在这种情况下，切割片也可能断裂。

回旋是由于电动工具的误用和/或不正确的操作程序或条件造成的，可以通过采取以下适当的预防措施予以避免：

- a) 紧握电动工具，注意立足点和身体平衡，这样可以抵御回旋力。始终使用辅助手柄（如有），以最大限度地控制启动时的回旋或扭矩反应。如果采取了适当的预防措施，操作员就可控制扭矩反应或回旋力。
- b) 切勿将手放在旋转的配件附近。配件可能会回旋到您的手上。
- c) 切勿靠近旋转的切割片。回旋会使工具在卡住点向与切割片的运动方向相反的方向旋转。
- d) 在角落、尖锐边缘等处工作时要特别小心。小心反弹和卡住的配件。角落、尖锐边缘或反弹均有可能卡住旋转的配件，导致失控或回旋。
- e) 切勿安装锯链、木雕刀片、外围间隙大于10mm的分段式金刚石切割片或齿形锯片。这种锯片会造成频繁回旋和失控。
- f) 切勿“卡住”切割片或施加过大的压力。切勿试图切割过深。对切割片过度施压会增加切割片在切割过程中的负荷和扭曲或捆绑的可能性，并有可能出现回旋或切割片断裂。
- g) 当切割片被捆绑或因任何原因中断切割时，应关闭电动工具并保持电动工具不动，直到切割片完全停止。当切割片处于运动状态时，切勿试图将切割片从切割中取出，否则可能会发生回旋。研究并采取纠正措施，从而消除切割片捆绑的原因。
- h) 切勿在工件中重新开始切割操作。切割片达到全速并小心地重新进入切割。如果电动工具在工件中重新启动，切割片可能会捆绑、向上旋或回旋。
- i) 支撑面板或任何过大的工件，尽可能减少切割片夹住和回旋的风险。大型工件在承受自身重量时容易凹陷。支架必须放置在靠近切割线的工件下方，并且靠近切割片两侧的工件边缘。
- j) 在现有墙壁或其他盲区进行“袋式切割”时要特别小心。凸出的切割片可能会切断煤气管或水管、电线或可能导致回旋的物体。

## 其他安全信息

- 请勿用切割片的上部区域进行切割。回旋可能导致严重的人身伤害。
- 不建议使用本手册中未规定的配件，这可能会产生危险。使用助力器会导致工具的驱动速度超过其额定速度，构成误操作。

- **请勿在本工具上使用圆锯锯条。**这可能会造成严重的人身伤害。
- **避免切割片弹跳或对其进行粗暴处理。**如果发生这种情况，请关停工具并检查切割片是否有裂纹或缺陷。
- **将火花引向远离操作员、旁观者或易燃物的区域。**使用砂光机或研磨机时可能会产生火花。火花可能导致烧伤或引发火灾。
- **务必使用前手柄。拧紧该手柄。**应始终使用前手柄来保持对工具的控制。
- **切勿在可能有电线或管道的地方切割。**这可能会造成严重的人身伤害。
- **经常清理工具，尤其是在高强度使用后。**含有金属颗粒的灰尘和砂砾常常会积聚在内表面，可能会造成电击危险。
- **请勿长时间操作本工具。由工具动作引起的振动可能对您的手和胳膊造成伤害。**佩戴手套来增加缓冲，并时不时休息，以减少遭受的振动量。
- **作业期间可能会产生灰尘、结晶物质、蒸汽和烟雾。**务必佩戴防尘面具或呼吸保护装置。对健康有害！

## 剩余风险

尽管遵守了相关的安全法规并采用了安全装备，某些剩余风险仍然是无法避免的。这些风险包括：

- 听力损伤。
- 飞溅颗粒造成的人身伤害风险。
- 使用时附件发热导致的灼伤风险。
- 长时间使用引起的人身伤害风险。
- 在混凝土和/或砖石作业时，吸入粉尘会对健康造成危害。

## 充电器

DEWALT 充电器无需做出任何调整，专为简易操作而设计。

### 电气安全

电机只适用一种工作电压。请务必检查电池包的电压是否和铭牌上的电压一致。请务必检查电池包的电压是否和铭牌上的电压一致。



DEWALT 充电器符合 IEC60335 标准规定的双重绝缘要求，因此无需使用接地线。

如果电源线损坏，必须仅由 DEWALT 或授权的维修机构负责更换。

### 使用延长线

除非绝对必要，否则请勿使用延长线。使用适合您的充电器输入功率的合格延长线（请参阅**技术数据**）。最小的导线尺寸为1平方毫米；最大长度为30米。

使用电缆卷筒时，请务必拉出所有的电缆。

### 针对所有电池充电器的重要安全说明

请妥善保管好这些说明：本手册包含重要的兼容电池充电器安全和操作说明（请参阅**技术数据**）。

- 在使用充电器之前，请先阅读所有指示以及充电器、电池包和使用电池包的产品上的警告标记。



**警告：**电击危险。请勿让任何液体进入充电器，否则可能会导致触电。



**警告：**我们建议使用漏电保护额定电流为30毫安或以下的漏电保护装置。



**小心：**烧伤危险。为降低人身伤害风险，请仅使用 DEWALT 充电式电池充电。使用其它类型的电池可能会引起爆裂，并导致人身伤害和损害。



**小心：**应看管好儿童，以确保他们不将此设备当做玩具来玩。

**注意：**在某些情况下，当充电器的插头插入电源插座时，充电器内部裸露的充电接触点可能因为外来物件而短路。请勿让能导电的异物靠近充电器腔，这些外来物件包括但不限于钢棉、铝箔或任何金属颗粒的堆积物。充电器内没有电池包时，请断开充电器与电源的连接。清洗前，务必拔掉充电器。

- **请勿试图使用本手册指定的充电器以外的任何其他任何充电器为电池包充电。**充电器和电池包都是专门设计的，互相配合使用。
- **除了为 DEWALT 充电式电池充电以外，这些充电器并非设计用于其他用途。**否则，可能会导致火灾、触电或电击。
- **请勿将充电器暴露于雨中或雪中。**
- **断开充电器连接时，应捏住插头将其拔下，而非通过拉拽电源线拔下插头。**这将降低对插头和电线的损害风险。
- **确保电源线布置在不易踩踏、踢绊、拉扯或会受到损害或压力的位置。**
- **除非绝对必要，否则请勿使用延长线。**使用不正确的延长线可能导致火灾、触电或电击的风险。
- **请勿将任何物件放在充电器上面，或是把充电器放在可能会堵住通风槽的柔软表面，导致充电器的内部过热。**请把充电器放置在远离任何热源的地方。充电器通过外壳顶端和底端的槽进行通风。
- **请勿使用电源线或插头已损坏的充电器，请立即更换这些充电器。**
- **如果充电器受到强烈重击、掉落或出现其他损坏情况，请勿使用充电器。**请将损坏的充电器送到授权服务中心。
- **请勿自行拆卸充电器。**请将需要检修或修理的充电器送到授权服务中心。重装不正确可能导致触电、电击或火灾风险。
- **必须立即将已损坏的电源线交由制造商、服务代理或类似的合格人员进行更换以防止安全隐患。**
- **清洁前，请先断开充电器和插座的连接，以降低触电风险。**取出电池包不会降低此风险。
- **不得将两个充电器连接在一起。**
- **充电器是为220-240V的标准家用电源而设计。请勿试图在任何其他电压下使用充电器。**此规则不适用于车载充电器。

### 为电池充电 (图 B)

1. 插入电池包前，先将充电器的插头插到相应的电源插座上。

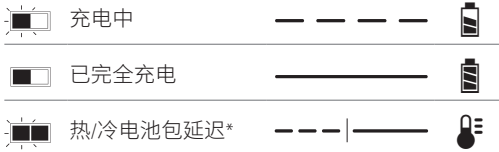
- 将电池包 **24** 插入到充电器中，确定电池包完全就位。红色（充电中）指示灯将不断闪烁，表示充电过程已经开始。
- 灯持续常亮表示充电完成。电池包已充满电，此时可使用或留在充电器中。要从充电器上取下电池包，请按下电池包上的电池释放按钮 **16**。

**注意：**为了确保锂离子电池的效能和使用寿命最大化，在首次使用电池包之前必须将其完全充电。

### 充电器操作

关于电池包的充电状态，请参阅以下指示灯说明。

#### 充电状态指示灯



\*\*红色指示灯会继续闪烁，但黄色指示灯在本次操作过程中会亮起。电池包达到适当温度后，黄色指示灯会熄灭，充电器将恢复充电程序。

兼容充电器不会对故障电池包充电充电器指示灯不亮时表示电池有故障。

**注意：**这可能也表示充电器有问题。

如果充电器显示有问题，取下充电器和电池

#### 热/冷电池包延迟

当充电器检测到电池包过热或过冷时，它会启动热/冷电池延迟模式，暂停充电，直到电池包达到适当的温度。然后，充电器会自动切换到电池包充电模式。此功能可确保电池包拥有最长的使用寿命。

冷电池包充电速度比热电池包充电速度慢。电池包在整个充电周期的充电速度都会较慢，即使电池包升温也不会恢复到最大速度。

DCB118充电器配备了内部风扇，用于冷却电池包。当电池包需要冷却时，该风扇会自动启动。如果风扇无法正常工作或通风槽被堵塞，切勿操作充电器。请勿让异物进入充电器的内部。

#### 电子保护系统

XR锂离子电池工具采用了电子保护系统设计，可让电池包免受过载、过热或过度放电之害。

如果电子保护系统处于运作状态，该工具将自动停止操作。如果发生这种情况，请将锂离子电池包放在充电器上，直至其完全充电。

#### 壁挂式安装

这些充电器设计为可以安装在墙上，也可以直立在桌面或工作台面上。如果安装在墙上，请确保充电器的位置可以连接到电源插座，并且远离墙角或其他可能妨碍空气流通的障碍物。将充电器背面作为在墙上安装螺丝的位置模板。使用至少 25.4 毫米长、螺丝帽直径至少 7-9 毫米的石膏板螺丝（单独购买）牢牢固定充电器，将螺丝最大限度打入木材，预留约 5.5 毫米露在墙外。将充电器背面的安装槽对准露出的螺丝，完全放置到位。

### 充电器清洁说明

**警告：电击危险。清洁前，请将充电器从交流电源插座上拔下。**可用布或非金属软刷清除充电器外部的污垢和油脂。请勿使用水或任何清洁剂。不得让任何液体渗入工具，不得让工具的任何部件浸在液体中。

### 电池包

#### 针对所有电池包的重要安全说明

在订购更换电池包时，请务必附上目录型号和电压。包装箱内的电池包并未完全充电。使用电池包和充电器之前，请阅读下列安全说明，然后遵循所述的充电程序。

#### 请阅读所有说明

- 请勿在易爆环境，如有易燃液体、气体或粉尘的环境中充电或使用电池。在充电器中插入或取出电池时可能会点燃粉尘或气体。
- 不得强行将电池放进充电器。请勿以任何方式改装电池包并将电池包插入不兼容的充电器，这种操作可能会导致电池包破裂，造成严重的人身伤害。
- 只使用 DEWALT 充电器为电池充电。
- 请勿喷溅电池包或将其浸泡在水或其他液体中。
- 请勿在温度可能降至 4°C(39.2°F) 的地方（如冬天户外的棚子或金属建筑物中）或达到或超过 40°C(104°F) 的地方（如夏天户外的棚子或金属建筑物中）存储或使用工具和电池包。
- 即使电池包严重受损或完全损坏，也请勿焚化电池包。电池包在火中会发生爆炸。锂离子电池包在燃烧时会释放有毒气体和物质。
- 如果电池液体接触到皮肤，请立即以中性肥皂和清水冲洗接触的地方。如果电池液体不慎进入眼睛，应睁开眼睛并用清水冲洗至少 15 分钟或直到刺激感消失。如果需要医疗救助，请告知医护人员。电池电解质由液状有机碳酸盐和锂盐的混合物组成。
- 已打开电池的**内部物质可能导致呼吸道刺激**。请保持空气流通。如果症状持续存在，请就医。

**警告：烧伤危险。**电池液如果接触到火花或火焰可能会燃烧。

**警告：**不得以任何理由试图打开电池包。电池包外壳破裂或损坏时，请勿将电池包插入充电器。请勿挤压、掉落或损坏电池包。请勿使用受过强烈重击、掉落、碾压或以任何其它方式（如被钉子穿破、受到锤子的重击、踩踏）受损的电池包或充电器。否则可能会引起触电或电击。损坏的电池包应送回服务中心进行回收。

**警告：火灾危险。请勿在存储或搬运电池包时让金属物品接触暴露的电池两极。**例如，请勿将电池包放在围裙、口袋、工具箱、产品套件盒、抽屉等可能与散钉、螺丝、钥匙等物品接触的地方。

**小心：**不使用时，应将工具侧放在稳定的表面上，以免造成绊倒或坠落的危险。一些带有大型电池包的工具可以直立在电池包上，但可能很容易被撞倒。

## 运输



**警告：火灾危险。** 电池运输途中，如果电池两极意外接触导电材料，可能会引发火灾。运输电池时，务必保护电池两极，确保与可能接触电池导致短路的材料良好绝缘。**注意：**不应将锂离子电池放入托运行李中。

DeWALT 电池符合所有适用的行业和法律标准规定的运输规范，包括《联合国危险品运输建议规章范本》(UN Recommendations on the Transport of Dangerous Goods)、《国际航空运输协会 (IATA) 危险品规则》(International Air Transport Association (IATA) Dangerous Goods Regulations)、《国际海运危险品 (IMDG) 规则》(International Maritime Dangerous Goods (IMDG) Regulations) 和《欧洲危险货物国际公路运输协定》(European Agreement Concerning The International Carriage of Dangerous Goods by Road) (ADR)。离子电池和电池包已遵循《联合国危险品运输建议规章范本手册》第38.3节关于测试和标准的说明通过测试。

大多数情况下，发运 DeWALT 电池包不属于完全管制的9类危险品。通常情况下，只有当运输包含一个能量等级大于100瓦时 (Wh) 的锂离子电池时，才需要作为完全管制的9类危险品发运。所有锂离子电池外壳上均标注有瓦时等级。此外，由于法规比较复杂，无论瓦时等级是多少，DeWALT 都不建议单独空运锂离子电池包。发运包含电池的工作 (组合套件) 时，如果电池包的能量等级不大于100瓦时 (Wh)，则可以按计划空运。

无论发运是否纳入完全管制范围内，运输公司均有责任遵循最新法规中关于包装、标签/标记和单据的要求。本手册本节的信息是出于善意提供，且认为在编制文档时准确无误。不提供明示或暗示的担保。购买方负有确保其行为遵守适用法规的责任。

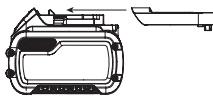
### 运输 FLEXVOLT™ 电池

DeWALT FLEXVOLT™ 电池有两种模式：**使用**和**运输**。

**使用模式：**当 FLEXVOLT™ 电池单独使用或置于 DeWALT 18V (20V Max) 产品中时，将作为18V (20V Max) 电池运行。当 FLEXVOLT™ 电池在54V (60V Max) 或108V (120V Max) (两块54V (60V Max) 电池) 产品中时，其将作为54V (60V Max) 电池运行。

**运输方式：**当盖子连接到 FLEXVOLT™ 电池时，电池处于运输模式。盖住盖子以便进行运输。

处于运输模式时，断开电池包的电源会产生3个瓦特小时额定值 (Wh) 较低的电池，和1个瓦特小时额定值较高的



的电池。这种增加的3个瓦特小时额定值较低的电池可使电池包免于遵守某些对高瓦特小时电池施加的运输规定。

例如，运输 Wh 额定值可能表示为 3 x 36 Wh，即每节 36 Wh 的3节电池。使用 Wh 额定值可能表示 108Wh (1个电池)。

使用和运送标签标记示例



### 存放建议

1. 最好将电池存放在阴凉、干燥、远离阳光直射、不会过热或过冷的地方。为了获得最佳的电池性能和使用寿命，请您在不使用电池包时将其存储在室温下。

2. 长期存储时，建议将完全充电的电池包从充电器取出，存储在阴凉、干燥的地方，以达到最佳效果。

**注意：**电池包不应在电池已完全耗尽的状态下存放。使用电池包之前，必须重新为电池包充电。

### 充电器和电池包上的标签

除了在本手册中所使用的标志，充电器和电池包的标签还包括：



使用前请阅读使用手册。



如需了解充电时间详细信息，请参阅**技术数据**。



请勿使用导电物体戳刺。



请勿对损坏的电池包充电。



请勿将其暴露于水中。



应立即更换有缺陷的电线。



请只在4°C和40°C之间的温度下充电。



只能在室内使用。



弃置电池包时，请妥善处理以保护我们的环境。

LI-ION



仅使用指定的 DeWALT 充电器为电池包充电。使用 DeWALT 充电器为非 DeWALT 电池充电可能会导致电池爆炸或出现其他危险情况。



请勿焚化电池包。



使用 (不含运输盖) 示例：Wh 额定值表示 108Wh (1 个 108Wh 的电池)。



运输 (带内置运输盖)。示例：Wh 额定值表示 3 x 36 Wh (3 个 36 Wh 的电池)。

### 电池类型

以下工具使用 54V (60V Max) 的电池包：DCS691

可使用这些电池包：， DCB546、DCB547、DCB548、DCB549、DCB606、DCB609、DCB612、DCB615。更多信息，请参考**技术数据**。

### 包装内的物品

包装中包含：

- 1个 切割锯
- 1个 金刚石锯片
- 1个 砂轮机

- 1个 12.7毫米扳手
- 1个 电池充电器 (仅X2版本)
- 2个 锂离子电池包 (仅X2版本)
- 1本 使用手册

**注意:** 电池包、充电器和工具箱没有随 N 型号附送。电池包和充电器没有随 NT 型号附送。B型号包括蓝牙® 电池包。

**注意:** Bluetooth® 标志和徽标是 Bluetooth®, SIG, Inc. 的注册商标, DeWALT 对这些标识的任何使用均经过许可。其他商标和商号均归各自所有者所有。

- 检查工具、部件或附件是否在运输过程中损坏。
- 操作前, 请抽空仔细阅读并掌握本手册。

## 工具上的标记

工具上印有下列图形:



使用前请阅读使用手册。



请佩戴听力保护器。



请佩戴护目装备。



粉尘排放风险。



更高的回旋风险! 请勿用切割片的上部区域进行切割。

## 日期代码位置 (图A)

包含制造年份的日期码 **14**, 打印在工具外壳上。

示例:

2022 XX XX  
制造年份和周

## 说明 (图A)



**警告:** 不得改装本电动工具或其任何部件, 否则可能会导致损坏或人身伤害。

- |            |           |
|------------|-----------|
| 1 主手柄      | 9 轴心螺丝    |
| 2 触发开关     | 10 主轴锁定按钮 |
| 3 锁定按钮     | 11 防护罩旋转杆 |
| 4 电池仓盖     | 12 底板     |
| 5 12.7毫米扳手 | 13 水阀     |
| 6 LED灯     | 14 日期代码   |
| 7 前手柄      | 15 进水口    |
| 8 防护罩      |           |

## 设计用途

本切割锯适用于专业的切割应用。如果要切割混凝土, 只能使用湿式切割法, 切割金属时可以使用干切法。

切勿在有易燃液体或气体的位置使用。本切割锯是专业电动工具。

请勿让儿童接触本工具。缺乏经验的操作员需要在监督下使用本工具。

- **儿童和体弱者。** 在没有他人监督的情况下, 儿童或体弱者不适宜使用本产品。
- 本产品不适合体力、感官或智力不足以及缺乏经验、知识或技能的人员 (包括儿童) 使用, 除非一旁有能为他们的安全负责的监督人员。不得在无人监管的情况下让儿童接触本产品。
- 切勿在未连接供水系统的情况下切割混凝土。

## 组装与调整



**警告:** 为降低严重的人身伤害风险, 在进行任何调整或取出/安装附件或配件之前, 请关闭工具并断开电池包连接。意外启动工具可能会造成伤害。



**警告:** 仅使用 DeWALT 电池包和充电器。

## 插入或取出工具上的电池包 (图 B)



**警告:** 请勿在电池仓盖未上锁的情况下作业。防止水进入电池仓。

注意: 确保电池包 **24** 充满电。

## 将电池包安装到工具中

1. 解锁并打开电池仓盖 **4**。
2. 如要将电池包 **24** 安装到工具中, 将电池包对准工具内的导轨, 然后将其滑入, 直到电池包牢固就位。确保它不会脱开。
3. 关闭电池仓盖, 并确保其关紧。

## 从工具中取出电池包

1. 解锁并打开电池仓盖。
2. 按下释放按钮 **16**, 用力将电池包从工具中拉出。
3. 按照“为电池充电”中的描述, 将其插入充电器。

请勿使电池仓盖保持打开。

## 电池包电量计 (图 B)

一些 DeWALT 电池包带有一个包含三个绿色 LED 指示灯的电量计, 用于指示电池包内的剩余电量。

按下电量计按钮 **23** 不松开, 即可启动电量计。三个绿色 LED 指示灯将以组合方式亮起, 以指示剩余电量。当电池内的电量低于可用限时, 电量计将不会亮起, 电池将需要重新充电。

注意: 电量计仅指示电池包的剩余电量。它并不表示该工具的功能, 且将根据产品组件、温度和最终使用者的使用情况而有所不同。

## 安装切割片 (图A、C)



**警告:** 烧伤危险。锋利部件。更换切割片时一定要戴上手套。切割片有锋利的边缘, 或在操作过程中温度升高, 可能会烧伤不戴手套的手部。

1. 将机器放在坚实的表面上, 主轴 **21** 朝上。
2. 按住主轴锁定按钮 **10**, 防止主轴转动。
3. 使用提供的 12.7毫米扳手 **5** (位于电池仓内), 卸下主轴螺母 **17**、外夹垫圈 **18** 和使用过的切割片 **19** (如有)。主轴螺纹是右旋螺纹。
4. 内夹垫圈 **20** 用双D轴和卡环固定。

- 将切割片滑到主轴上。请确保切割片超过内夹垫圈的导孔直径。滑上外夹垫圈。开始拧主轴螺母，它将自动对准外夹垫圈。确保切割片安装在正确的方向。
- 锁上主轴锁扣，用扳手拧紧螺母。请勿过度紧固主轴螺母。
- 用手转动切割片，以确保其正确居中。切割片不应该撞到底板、防护罩或螺母。螺母和法兰应该紧固。

**小心：**本工具只能使用带有22.2毫米轴孔的230毫米1/41型切割片。切勿将切割片强行装到机器上或改变轴孔的尺寸。

## 调整防护罩角度(图D)

**警告：**当防护罩向后移动导致开口变大时，可能会引起更大的回旋风险。仅在需要时，防护罩才能打开得更大。

您可以调整防护罩的角度。

- 要调整防护罩的角度，向后拉住防护罩旋转杆 11。
- 抓紧防护罩 8，旋转到所需角度。
- 松开防护罩旋转杆，确保其扣紧，将防护罩锁定在原位。如果防护罩旋转杆未扣紧，请略微旋转防护罩，直到防护罩旋转杆返回到锁定位置。

## DeWALT工具标签就绪(图E)

### 可选配件

您的切割锯带有安装孔 22 和紧固件，用于安装DeWALT工具标签。安装标签时需要T15钻头。DeWALT工具标签用于使用DeWALT Tool Connect™应用程序跟踪和定位专业电动工具、设备和机器。DeWALT工具标签的正确安装方式请参考DeWALT工具标签手册。

## 操作

### 使用说明

**警告：**务必遵守安全指示和适用法规。  
**警告：**为降低严重的人身伤害风险，在进行任何调整或取出/安装附件或配件之前，请关闭工具并断开电池包连接。意外启动工具可能会造成伤害。

### 正确的双手放置位(图F)

**警告：**为了减低严重人身伤害的风险，请务必如图示那样正确放置双手。

**警告：**为了减低造成严重人身伤害的风险，预期有突然反作用力时**务必**握紧。

手部的正确位置应该是一只手放在主手柄 1 上，另一只手放在前手柄 7 上。

### 主轴锁定按钮(图A、C)

主轴锁定按钮 10 用于在更换配件时锁定主轴 21。

- 要扣紧主轴锁定按钮，请按下电池包并确保触发开关处于关闭位置。
- 按下主轴锁定按钮，并转动切割片和主轴，直到锁定按钮与主轴啮合。
- 使用提供的扳 5 拧开主轴螺母 17，拆下或安装配件。主轴螺纹是右旋螺纹。

### 锁定按钮(图A)

本切割锯配备了锁定按钮 3。要将触发开关锁定在关闭状态，请从工具的左侧按下锁定按钮。要解锁触发开关，请从工具的右侧按下锁定按钮。

### LED灯(图A)

当过度用力推该工具时，LED灯 6 会亮起以示警告。LED灯亮起后继续使用工具可能会导致工具发生热胀或关闭。

### 操作方法(图A)

**小心：**尝试启动之前，请用双手紧紧抓住工具，然后再提起。

**警告：**边缘切割仪仅可用为此目的而设计和指定的切割片进行。进行边缘切割时，请将防护罩的开放面朝向表面，以保护自己。

**警告：**在使用工具进行切割工作时，如果用于切割的切割片出现弯曲或扭曲，可能会断裂或扭曲。

**警告：**切勿将边缘切割切割片用于表面磨削，因为该工具并非设计用于表面磨削时所遇到的侧压力。可能会导致切割片破损和损伤。

- 牢牢抓住主把手 1 和前把手 7。
- 将切割片与待切割材料对准。确保没有任何东西靠近切割片或与切割片保持一致。
- 启动工具时，按压触发开关 2，然后用适当的压力缓缓将切割片压过工件。进行切割时，可以用底板 12 来帮助引导工具。切勿强制使用本工具。为了获得高效率并延长切割片寿命，请保持切割片的高速度。
- 如需停止工具，请松开触发开关 2。

### 湿式切割法(图A、G、H)

**小心：**切勿在头顶使用本锯。使用水时，只能进行横向切割，以减少水进入工具的风险。

**警告：**湿式切割法只能使用金刚锯片。

- 将水供应连接到进水口 15。
- 如图G所示，要调节水流，将水阀 13 旋转到打开位置；如图H所示，要停止水流，将水阀旋转到关闭位置。
- 按照**操作方法**中的描述进行切割。
- 作业结束后，断开工具的供水。

### 应用

**警告：**切勿用本工具切割镁。镁颗粒可能会被点燃，造成人身伤害。

**警告：**切割混凝土时只能用湿式切割法。

- 最大厚度为3毫米的金属板
- 混凝土、煤渣块和砖块
- 钢筋；直径一般在25.4毫米以下
- 直径3毫米的混凝土钢丝网
- 波纹地板和天花板(混凝土模板)
- 电线管 壁厚3毫米

## 简体中文

- 最大厚度3毫米的结构形式,如槽钢、角钢、板材等。  
**注意:**不建议切割重量超过上述材料,因为有可能造成电气过载。

## 运输和存放

运输和存放期间,请用锁定按钮将触发开关锁住。  
在存放工具时,请拆除电池包。

## 维护

您的电动工具设计精良,可以长期使用,仅需极少维护。若要持续令人满意的工作效果,则需对工具进行适当的保养和定期清洁。



**警告:**为降低严重的人身伤害风险,在进行任何调整或取出/安装附件或配件之前,请关闭工具并断开电池包连接。意外启动工具可能会造成伤害。

充电器和电池包无法维修。



## 润滑

本电动工具无需另行润滑



## 清洁



**警告:**一旦看到通风口及其周围积聚了尘屑,请用干燥的空气将灰尘和尘屑从主机外壳内吹出。执行此过程时,需戴上经认可的护目装备和防尘面具。



**警告:**不得使用溶剂或其它刺激性化学制品来清洁工具的非金属部件。这些化学物质可能会削弱这些部位使用的材料。请用布蘸温和的肥皂水擦拭。不得让任何液体渗入工具,不得让工具的任何部件浸在液体中。

## 可选配件



**警告:**除了 DeWALT 提供的附件之外,其他附件都未经此产品兼容性测试,若将此类附件与本工具一起使用将存在安全隐患。为降低人身伤害风险,本产品只可使用 DeWALT 推荐的附件。

请向您的经销商咨询更多关于合适附件的信息。

## 保护环境



分类回收。由此符号标记的产品和电池不得与普通家庭垃圾一起处理。

产品和电池包含可恢复或回收的材料,从而降低对原材料的需求。请根据当地规定回收电子产品和电池。要获得更多信息,请参看[www.2helpU.com](http://www.2helpU.com)。

## 充电式电池包

本电池包使用寿命长,不能提供顺利完成工作所需的电力时,必须进行充电。电池技术寿命结束时,请妥善处理以保护环境:

- 耗尽电池包的电力,然后将其从工具上拆下。

- 锂离子电池可回收。请将它们送往您的经销商处或当地的回收站。回收的电池包将被妥善循环使用或处理。

## 售后服务和维修

DEWALT 维修中心拥有经过培训的人员,能够为顾客提供高效、可靠的产品服务。如果您通过未获授权的维修中心进行维修,我们不会承担任何责任。您可以参见产品包装中的“联系中心定位器”宣传单页,通过热线电话、网站或社交媒体联系我们,找到距离您最近的 DEWALT 服务中心。

制造商: 百得德国公司

地址: Black & Decker Str.40 65509 Idstein, 德国

产地: 江苏苏州



## 产品中有害物质的名称及含量

部件名称	有害物质					
	铅 (Pb)	汞 (Hg)	镉 (Cd)	六价铬 (Cr(VI))	多溴联苯 (PBB)	多溴二苯 醚 (PBDE)
马达组件	0	0	0	0	0	0
机壳组件	0	0	0	0	0	0
控制部件 (开关, PCB 等)	X	0	0	0	0	0
传动部件	0	0	0	0	0	0
电池包	X	0	0	0	0	0
充电器	X	0	0	0	0	0
附件 (钻头/砂轮片 等)	0	0	0	0	0	0
电线组件	X	0	0	0	0	0

本表格依据 SJ/T 11364 的规定编制。  
 0：标识该有害物质在该部位所有均质材料中的含量均在 GB/T 26572 规定的限量要求以下。  
 X：标识该有害物质至少在该部位的某一均质材料中的含量超出 GB/T 26572 规定的限量要求  
 备注：本产品不必包含以上所述的所有部件。由于生产工艺和技术的不可替代性，本产品中含有某些有害物质，在环保使用期限内可以放心使用，超过环保使用期限之后则应进入回收循环系统。

环保使用期限为“电子电气产品中含有的有害物质不会发生外泄或突变，电子电气产品用户正常使用该电子电气产品不会对环境造成严重污染或对其人身、财产造成严重损害的期限”。



：环保使用期限为 20 年。此环保使用期限不代表产品的安全使用期限和质量保证年限。





