

DEWALT®

www.DEWALT.com

DWD025

English(Original Manual)	3
简体中文	10
繁體中文	16
한국판	22
ไทย	29
Bahasa indonesia	35
TIẾNG VIỆT	42

Figure 1

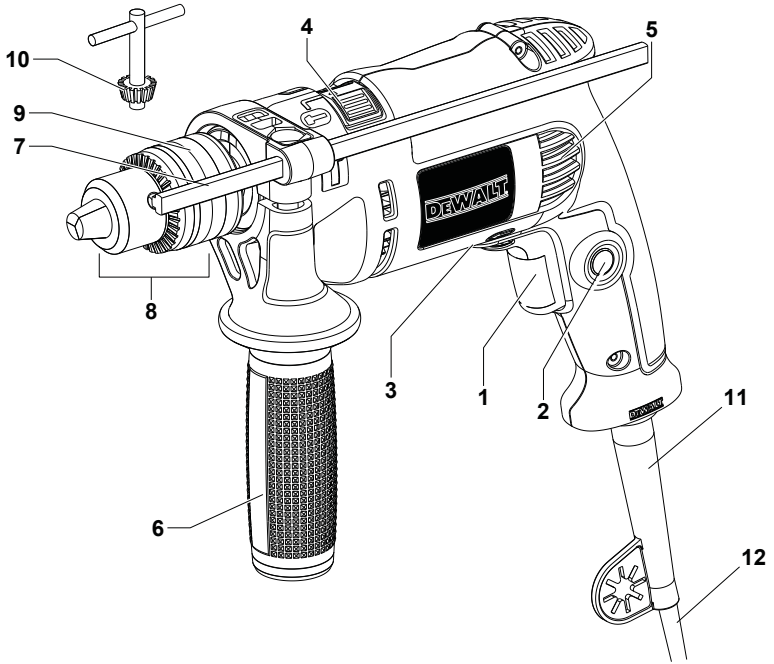


Figure 2

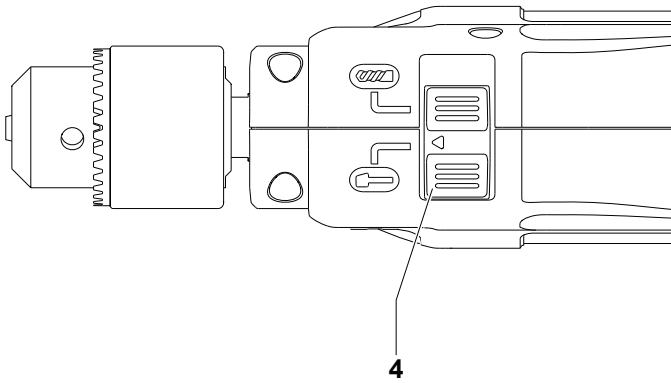


Figure 3

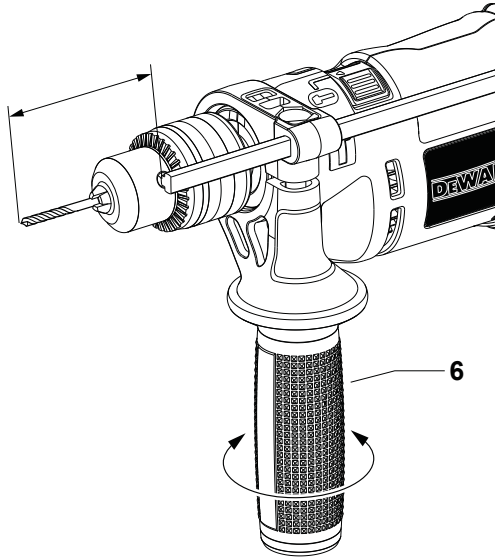
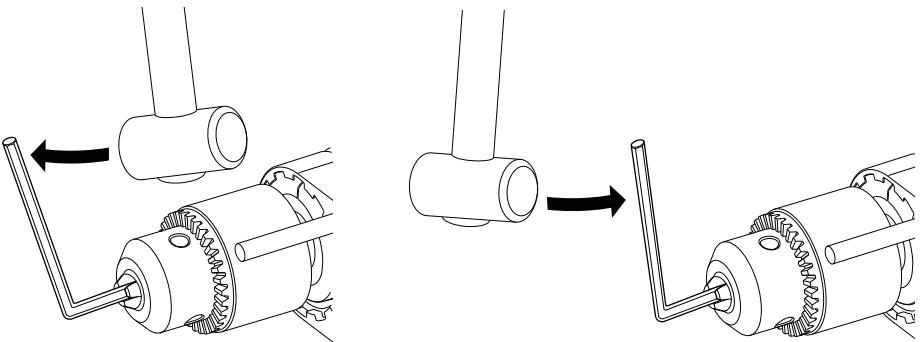


Figure 4



VARIABLE SPEED REVERSIBLE PERCUSSION DRILL

DWD025

Congratulations!

You have chosen a DEWALT tool. Years of experience, thorough product development and innovation make DEWALT one of the most reliable partners for professional power tool users.

Technical data


DWD025-B1/XD		
Voltage	V	220-240
Power input	W	750
No load speed	min ⁻¹	0-2,800
No load impact	min ⁻¹	0-47,600
Maximum drilling range		
masonry/steel/wood	mm	16/13/25
Chuck spindle		
thread size	UNF	1/2"x20
Maximum chuck		
capacity	mm	13
Weight	kg	1.6


Fuses:

220-240 V tools	10 Amperes, mains
110 V tools	13 Amperes, mains

Definitions: Safety Guidelines

The definitions below describe the level of severity for each signal word. Please read the manual and pay attention to these symbols.

 **DANGER:** Indicates an imminently hazardous situation which, if not avoided, will result in death or serious injury .

 **WARNING:** Indicates a potentially hazardous situation which, if not avoided, could result in death or serious injury .



CAUTION: Indicates a potentially hazardous situation which, if not avoided, may result in minor or moderate injury .

CAUTION: Used without the safety alert symbol indicates a potentially hazardous situation which, if not avoided, may result in property damage .



Denotes risk of electric shock.



Denotes risk of fire.



WARNING: To reduce the risk of injury, read the instruction manual.

General Power Tool Safety Warnings



WARNING! Read all safety warnings and instructions. Failure to follow the warnings and instructions may result in electric shock, fire and/or serious injury.

SAVE ALL WARNINGS AND INSTRUCTIONS FOR FUTURE REFERENCE

The term "power tool" in the warnings refers to your mains-operated (corded) power tool or battery-operated (cordless) power tool.

1) WORK AREA SAFETY

- Keep work area clean and well lit. Cluttered or dark areas invite accidents.
- Do not operate power tools in explosive atmospheres, such as in the presence of flammable liquids, gases or dust. Power tools create sparks which may ignite the dust or fumes.
- Keep children and bystanders away while operating a power tool. Distractions can cause you to lose control.

2) ELECTRICAL SAFETY

- a) **Power tool plugs must match the outlet. Never modify the plug in any way. Do not use any adapter plugs with earthed (grounded) power tools.** Unmodified plugs and matching outlets will reduce risk of electric shock.
- b) **Avoid body contact with earthed or grounded surfaces such as pipes, radiators, ranges and refrigerators.** There is an increased risk of electric shock if your body is earthed or grounded.
- c) **Do not expose power tools to rain or wet conditions.** Water entering a power tool will increase the risk of electric shock.
- d) **Do not abuse the cord. Never use the cord for carrying, pulling or unplugging the power tool. Keep cord away from heat, oil, sharp edges or moving parts.** Damaged or entangled cords increase the risk of electric shock.
- e) **When operating a power tool outdoors, use an extension cord suitable for outdoor use.** Use of a cord suitable for outdoor use reduces the risk of electric shock.
- f) **If operating a power tool in a damp location is unavoidable, use a residual current device (RCD) protected supply.** Use of an RCD reduces the risk of electric shock.

3) PERSONAL SAFETY

- a) **Stay alert, watch what you are doing and use common sense when operating a power tool. Do not use a power tool while you are tired or under the influence of drugs, alcohol or medication.** A moment of inattention while operating power tools may result in serious personal injury.
- b) **Use personal protective equipment. Always wear eye protection.** Protective equipment such as dust mask, non-skid safety shoes, hard hat, or hearing protection used for appropriate conditions will reduce personal injuries.
- c) **Prevent unintentional starting. Ensure the switch is in the off position before connecting to power source and/or battery pack, picking up or carrying the tool.** Carrying power tools with your finger on the switch or energising power tools that have the switch on invites accidents.
- d) **Remove any adjusting key or wrench before turning the power tool on.** A wrench or a key left attached to a rotating part of the power tool may result in personal injury.

- e) **Do not overreach. Keep proper footing and balance at all times.** This enables better control of the power tool in unexpected situations.
- f) **Dress properly. Do not wear loose clothing or jewellery. Keep your hair, clothing and gloves away from moving parts.** Loose clothes, jewellery or long hair can be caught in moving parts.
- g) **If devices are provided for the connection of dust extraction and collection facilities, ensure these are connected and properly used.** Use of dust collection can reduce dust-related hazards.

4) POWER TOOL USE AND CARE

- a) **Do not force the power tool. Use the correct power tool for your application.** The correct power tool will do the job better and safer at the rate for which it was designed.
- b) **Do not use the power tool if the switch does not turn it on and off.** Any power tool that cannot be controlled with the switch is dangerous and must be repaired.
- c) **Disconnect the plug from the power source and/or the battery pack from the power tool before making any adjustments, changing accessories, or storing power tools.** Such preventive safety measures reduce the risk of starting the power tool accidentally.
- d) **Store idle power tools out of the reach of children and do not allow persons unfamiliar with the power tool or these instructions to operate the power tool.** Power tools are dangerous in the hands of untrained users.
- e) **Maintain power tools. Check for misalignment or binding of moving parts, breakage of parts and any other condition that may affect the power tool's operation. If damaged, have the power tool repaired before use.** Many accidents are caused by poorly maintained power tools.
- f) **Keep cutting tools sharp and clean.** Properly maintained cutting tools with sharp cutting edges are less likely to bind and are easier to control.
- g) **Use the power tool, accessories and tool bits etc., in accordance with these instructions taking into account the working conditions and the work to be performed.** Use of the power tool for operations different from those intended could result in a hazardous situation.

5) SERVICE

- a) Have your power tool serviced by a qualified repair person using only identical replacement parts. *This will ensure that the safety of the power tool is maintained.*

Additional Specific Safety Rules for Percussion Drills

Percussion Drill safety warnings

- Wear ear protectors when impact drilling. *Exposure to noise can cause hearing loss.*
- Use auxiliary handle(s), if supplied with the tool. *Loss of control can cause personal injury.*
- Hold power tool by insulated gripping surfaces, when performing an operation where the cutting accessory may contact hidden wiring or its own cord. *Cutting accessory contacting a "live" wire may make exposed metal parts of the power tool "live" and could give the operator an electric shock.*
- Use clamps or other practical way to secure and support the workpiece to a stable platform. *Holding the work by hand or against your body is unstable and may lead to loss of control.*
- Wear safety goggles or other eye protection. *Drilling operations cause chips to fly. Flying particles can cause permanent eye damage.*
- Bits and tools get hot during operation. *Wear gloves when touching them.*
- Keep handles dry, clean, free from oil and grease. *it is recommended to use rubber gloves. This will enable better control of the tool.*

Residual Risks

In spite of the application of the relevant safety regulations and the implementation of safety devices, certain residual risks cannot be avoided. These are:

- *Impairment of hearing*
- *Risk of personal injury due flying particles.*
- *Risk of burns due to accessories becoming hot during operation.*
- *Risk of personal injury due to prolonged use.*

Markings on tool

The following pictograms are shown on the tool:



Read instruction manual before use.

DATE CODE POSITION

Date Code, which also includes the year of manufacture, is printed into the housing surface.

Example:

2014 XX XX
Year of Manufacture

Package Contents

The package contains:

- 1 Percussion drill
 - 1 Chuck key
 - 1 Side handle (DWD025)
 - 1 Depth adjustment rod (DWD025)
 - 1 Instruction manual
- *Check for damage to the tool, parts or accessories which may have occurred during transport.*
 - *Take the time to thoroughly read and understand this manual prior to operation.*

Description (fig. 1)



WARNING: *Never modify the power tool or any part of it. Damage or personal injury could result.*

1. Variable speed switch
2. Lock on button
3. Forward/reverse lever
4. Mode selector
5. Ventilation slots
6. Side handle
7. Depth adjustment rod
8. Keyed chuck
9. Sleeve
10. Chuck key

INTENDED USE

These heavy-duty V.S.R. Percussion drills are designed for professional drilling.

DO NOT use under wet conditions or in presence of flammable liquids or gases.

These heavy-duty Percussion drills are professional power tools.

DO NOT let children come into contact with the tool. Supervision is required when inexperienced operators use this tool.

Electrical Safety

The electric motor has been designed for one voltage only. Always check that the power supply corresponds to the voltage on the rating plate.



Your DEWALT power tool is double insulated in accordance with EN 60745; therefore no earth wire is required.

If the supply cord is damaged, it must be replaced by a specially prepared cord available through the DEWALT service organization.



WARNING: NEVER use a light socket.

NEVER connect the live (L) or neutral (N) wires to the earth pin marked E or \perp .

Using an Extension Cable

An extension cord should not be used unless absolutely necessary. Use an approved extension cable suitable for the power input of your charger (see technical data). The minimum conductor size is 1 mm²; the maximum length is 30 m.

Also refer to the table below.

Conductor size (mm ²)	Cable rating (Amperes)
0.75	6
1.00	10
1.50	15
2.50	20
4.00	25

Cable length (m)	Cable rating (Amperes)					
	7.5	15	25	30	45	60
220-240	0 – 2.0	6	6	6	6	6
	2.1 – 3.4	6	6	6	6	6
	3.5 – 5.0	6	6	6	10	15
	5.1 – 7.0	10	10	10	15	15
	7.1 – 12.0	15	15	15	15	20
	12.1 – 20.0	20	20	20	25	–

Voltage	Amperes	Cable rating (Amperes)					
		7.5	15	25	30	45	60
110	0 – 2.0	6	6	6	6	6	10
	2.1 – 3.4	6	6	6	6	15	15
	3.5 – 5.0	6	6	10	15	20	20
	5.1 – 7.0	10	10	15	20	20	25
	7.1 – 12.0	15	15	20	25	25	–
	12.1 – 20.0	20	20	25	–	–	–

When using a cable reel, always unwind the cable completely.

ASSEMBLY AND ADJUSTMENTS

Selecting the operating mode (fig. 2)

The tool can be used in two operating modes:



Rotary drilling:
for steel, wood and plastics.



Percussion drilling:
simultaneous rotating and impacting for
concrete and masonry drilling
operations.

- Select the required operating mode by rotating the mode selector (4) to the required position.

Keyed chuck

- Open the chuck by turning the sleeve (9) counterclockwise and insert the bit shank.
- Put the chuck key (10) into each hole in the side of the chuck and turn clockwise until tight.
- To remove the bit, proceed in reverse order.

Fitting the side handle (fig. 1)

The side handle (6) can be fitted to suit both RH- and LH-users.



Always use the Percussion Drill with the side handle properly assembled.

- Loosen the side handle.
- For RH-users, slide the side handle clamp over the collar behind the chuck, handle at the left.
- For LH-users, slide the side handle clamp over the collar behind the chuck, handle at the right.
- Rotate the side handle to the desired position and tighten the handle.

Setting the drilling depth (fig. 3)

- Insert the required Percussion Drill bit into the chuck.
- Slacken the side handle (6).
- Fit the depth adjustment rod (7) through the hole in the side handle clamp.
- Adjust the drilling depth as shown.
- Tighten the side handle.

Percussion drilling (fig. 1)

- Select the percussion mode.
- Press the switch (1).

Rotary drilling (fig. 1)

- Select the rotary drilling mode.
- Proceed as described for percussion drilling.

Consult your dealer for further information on the appropriate accessories.



WARNING: To reduce the risk of injury, turn unit off and disconnect machine from power source before installing and removing accessories, before adjusting or changing set-ups or when making repairs. Be sure the trigger switch is in the OFF position. An accidental start-up can cause injury.

OPERATION

Instructions for Use



WARNING: Always observe the safety instructions and applicable regulations.

Switches (fig. 1)

To start the Percussion Drill, depress the trigger switch; to stop the Percussion Drill, release the trigger.

A variable speed trigger switch (1) permits speed control—the farther the trigger is depressed, the higher the speed of the drill.

For continuous operation, press and hold the variable speed switch, press the lock-on button (2), then release the switch.

NOTE: Use lower speeds for starting holes without a center punch, drilling in metal or plastics, or drilling ceramics. Higher speeds are better for drilling wood and composition boards and using abrasive and polishing accessories.

The forward/reverse lever (3) is used for with drawing bits from tight holes. It is located above the trigger switch. To reverse the motor, release the trigger switch FIRST and then push the lever to the right. After any reversing operations, return lever to forward position.

To stop continuous operation, press the switch briefly and release it. Always switch the tool off when work is finished and before unplugging.

Drilling



WARNING: To reduce the risk of personal injury, ALWAYS ensure workpiece is anchored or clamped firmly. If drilling thin material, use a wood “back-up” block to prevent damage to the material.

1. Use sharp Percussion Drill, bits only. For WOOD, use twist Percussion Drill bits, spade bits, power auger bits, or hole saws. For METAL, use steel twist Percussion Drill bits or hole saws.
2. Always apply pressure in a straight line with the bit. Use enough pressure to keep drill biting, but do not push hard enough to stall the motor or deflect the bit.
3. Hold tool firmly with both hands to control the twisting action of the Percussion Drill.
4. **IF DRILL STALLS**, it is usually because it is being overloaded or improperly used. **RELEASE TRIGGER IMMEDIATELY**, remove Percussion Drill bit from work, and determine cause of stalling. **DO NOT CLICK TRIGGER ON AND OFF IN AN ATTEMPT TO START A STALLED PERCUSSION DRILL — THIS CAN DAMAGE THE PERCUSSION DRILL.**
5. To minimize stalling or breaking through the material, reduce pressure on Percussion Drill and ease the bit through the last fractional part of the hole.
6. Keep the motor running when pulling the bit back out of a drilled hole. This will help prevent jamming.
7. With variable speed drills there is no need to center punch the point to be drilled. Use a slow speed to start the hole and accelerate by squeezing the trigger harder when the hole is deep enough to drill without the bit skipping out.

DRILLING IN METAL

Start drilling with slow speed and increase to full power while applying firm pressure on the tool. A smooth even flow of metal chips indicates the proper drilling rate. Use a cutting lubricant when drilling metals. The exceptions are cast iron and brass which should be drilled dry.

NOTE: Large [5/16" (8 mm)] holes in steel can be made easier if a pilot hole [5/32" (4 mm)] is drilled first.

DRILLING IN WOOD

Start drilling with slow speed and increase to full power while applying firm pressure on the tool. Holes in wood can be made with the same twist drills used for metal. These bits may overheat unless pulled out frequently to clear chips from the flutes. Work that is apt to splinter should be backed up with a block of wood.

Keyed Chuck (fig. 4)

The DWD025 features a keyed chuck (9). To insert a drill bit or other accessory, follow the steps listed below.

1. Open the chuck jaws by turning collar by hand and insert the shank of the bit about 3/4" (19 mm) into chuck. Tighten the chuck collar by hand.
2. Place chuck key in each of the three holes, and tighten in clockwise direction. It's important to tighten chuck with all three holes.

To release the bit, turn the chuck counterclockwise in just one hole, then loosen the chuck by hand.

REMOVAL OF KEYED CHUCK (FIG. 4)

Tighten the chuck around the shorter end of a hex key (not supplied) of 1/4" (6 mm) or greater size. Using a soft hammer, strike the key sharply in the counterclockwise direction when viewed from the front of the tool. This will loosen the chuck so that it can be removed by hand.

KEYED CHUCK INSTALLATION (FIG. 4)

Screw the chuck on by hand as far as it will go. Insert the shorter end of a hex key (not supplied) of 1/4" (6 mm) or greater size and strike it in the clockwise direction with a soft hammer.

MAINTENANCE

Your DEWALT power tool has been designed to operate over a long period of time with a minimum of maintenance. Continuous satisfactory operation depends upon proper tool care and regular cleaning.



WARNING: To reduce the risk of injury, turn unit off and disconnect machine from power source before installing and removing accessories, before adjusting or changing set-ups or when making repairs. Be sure the trigger switch is in the OFF position. An accidental start-up can cause injury.

Motor Brushes

DEWALT uses an advanced brush system which automatically stops the drill when the brushes wear out. This prevents serious damage to the motor.

New brush assemblies are available at authorized DEWALT service centers. Always use identical replacement parts.



Lubrication

Your power tool requires no additional lubrication.



Cleaning



WARNING: Blow dirt and dust out of the main housing with dry air as often as dirt is seen collecting in and around the air vents. Wear approved eye protection and approved dust mask when performing this procedure.



WARNING: Never use solvents or other harsh chemicals for cleaning the non-metallic parts of the tool. These chemicals may weaken the materials used in these parts. Use a cloth dampened only with water and mild soap. Never let any liquid get inside the tool; never immerse any part of the tool into a liquid.

Optional Accessories



WARNING: Since accessories, other than those offered by DEWALT, have not been tested with this product, use of such accessories with this tool could be hazardous. To reduce the risk of injury, only DEWALT, recommended accessories should be used with this product.

Consult your dealer for further information on the appropriate accessories.



CAUTION: To reduce the risk of injury, the following accessories should be used only in sizes up to the maximums shown in the table below.

**MAXIMUM RECOMMENDED CAPACITIES
(DWD025)**

Drill capacity	10 mm
Bits, metal drilling	10 mm
Bits, masonry drilling	13 mm
Wood, flat boring	25.4 mm
Hole saws	28.4 mm

**MAXIMUM RECOMMENDED CAPACITIES
(DWD025)**

Drill capacity	13 mm
Bits, metal drilling	13 mm
Bits, masonry drilling	16 mm
Wood, flat boring	25 mm
Hole saws	30 mm

变速正反转冲击电钻

DWD025

祝贺您!

您已选择了得伟工具。凭借多年的经验和在产品开发与创新方面的不断努力，得伟已经成为专业电动工具用户的最可靠伙伴之一。

技术数据

		DWD 025-A9
电压	伏特	220
输入功率	瓦特	750
空载速度	转/分	0-2,800
空载冲击频率	次/分	0-47,600
混凝土/钢材/木材中最大钻深	毫米	16/13/25
夹头轴螺纹尺寸	UNF	1/2"×20
夹头最大容量	毫米	13
重量	千克	1.6

保险丝:

220-240 伏工具	电源 10 安培
110 伏工具	电源 13 安培

定义：安全准则

下列定义解释了各标志术语的严重程度。请仔细阅读本手册并注意这些标志。



危险: 表示紧急的危险情形，如不加以阻止，将导致**死亡或严重伤害**。



警告: 表示潜在的危险情形，如不加以阻止，可能导致**死亡或严重伤害**。



注意: 表示潜在的危险情形，如不加以阻止，可能导致**轻度或中度伤害**。
注意: (不带安全警示标志): 表示潜在的危险情形，如不加以阻止，可能导致**财产损坏**。



表示有触电危险。



表示火灾危险。



警告: 为降低伤害风险，请阅读使用手册。

电动工具通用安全警告



警告！ 阅读随电动工具提供的所有**安全警告、说明、图示和规定**。不遵照以下所列说明会导致电击、着火和/或严重伤害。

保存所有警告和说明书以备查阅。

警告中的术语“电动工具”指市电驱动（有线电动工具或电池驱动（无线）电动工具）。

a) 工作场地的安全

- 1) 保持工作场地清洁和明亮。杂乱和黑暗的场地会引发事故。
- 2) 不要在易爆环境，如有易燃液体、气体或粉尘的环境下操作电动工具。电动工具产生的火花会点燃粉尘或气体。
- 3) 操作电动工具时，远离儿童和旁观者。注意力不集中会使你失去对工具的控制。

b) 电气安全

- 1) 电动工具插头必须与插座相配。绝不能以任何方式改装插头。需接地的电动工具不能使用任何转换插头。未经改装的插头和相配的插座将降低电击风险。
- 2) 避免人体接触接地表面，如管道、散热片和冰箱。如果你身体接触接地表面会增加电击风险。
- 3) 不得将电动工具暴露在雨中或潮湿环境中。水进入电动工具将增加电击风险。
- 4) 不得滥用软线。绝不能用软线搬运、拉动电动工具或拔出其插头。使软线远离热源、油、锐边或运动部件。受损或缠绕的软线会增加电击风险。
- 5) 当在户外使用电动工具时，使用适合户外使用的延长线。适合户外使用的电线将降低电击风险。
- 6) 如果无法避免在潮湿环境中操作电动工具，应使用带有剩余电流装置（RCD）保护的电源。RCD的使用可降低电击风险。

c) 人身安全

- 1) 保持警觉，当操作电动工具时关注所从事的操作并保持清醒。当你感到疲倦，或在有药物、酒精或治疗反应时，不要操作电动工具。在操作电动工具时瞬间的疏忽会导致严重人身伤害。
- 2) 使用个人防护装置。始终佩戴护目镜。防护装置，诸如适当条件下使用防尘面具、防滑安全鞋、安全帽、听力防护等装置能减少人身伤害。
- 3) 防止意外起动。在连接电源和/或电池包、拿起或搬运工具前确保开关处于关断位置。手指放在开关上搬运工具或开关处于接通时通电会导致危险。
- 4) 在电动工具接通之前，拿掉所有调节钥匙或扳手。遗留在电动工具旋转零件上的扳手或钥匙会导致人身伤害。
- 5) 手不要过分伸展。时刻注意立足点和身体平衡。这样能在意外情况下能更好地控制住电动工具。
- 6) 着装适当。不要穿宽松衣服或佩戴饰品。让你的头发和衣服远离运动部件。宽松衣服、佩饰或长发可能会卷入运动部件。
- 7) 如果提供了与排屑、集尘设备连接用的装置，要确保其连接完好且使用得当。使用集尘装置可降低尘屑引起的危险。
- 8) 不要因为频繁使用工具而产生的熟悉感而掉以轻心，忽视工具的安全准则。某个粗心的动作可能在瞬间导致严重的伤害。

d) 电动工具使用和注意事项

- 1) 不要勉强使用电动工具，根据用途使用合适的电动工具。选用合适的按照额定值设计的电动工具会使你工作更有效、更安全。
- 2) 如果开关不能接通或关断电源，则不能使用该电动工具。不能通过开关来控制的电动工具是危险的且必须进行修理。
- 3) 在进行任何调节、更换附件或贮存电动工具之前，必须从电源上拔掉插头和/或卸下电池包（如可拆卸）。这种防护性的安全措施降低了电动工具意外起动的风险。

- 4) 将闲置不用的电动工具贮存在儿童所及范围之外，并且不允许不熟悉电动工具和不了解这些说明的人操作电动工具。电动工具在未经培训的使用者手中是危险的。
- 5) 维护电动工具及其附件。检查运动部件是否调整到位或卡住，检查零件破损情况和影响电动工具运行的其他状况。如有损坏，应在使用前修理好电动工具。许多事故是由维护不良的电动工具引发的。
- 6) 保持切削刀具锋利和清洁。维护良好地有锋利切削刃的刀具不易卡住而且容易控制。
- 7) 按照使用说明书，并考虑作业条件和要进行的作业来选择电动工具、附件和工具的刀头等。将电动工具用于那些与其用途不符的操作可能会导致危险情况。
- 8) 保持手柄和握持表面干燥、清洁，不得沾有油脂。在意外的情况下，湿滑的手柄不能保证握持的安全和对工具的控制。

f) 维修

- 1) 让专业维修人员使用相同的备件维修电动工具。这将保证所维修的电动工具的安全。

电钻附加安全细则

- 带耳罩进行冲击作业。暴露于噪声环境会导致失聪。
- 使用辅助手柄。失控会导致人身伤害。
- 工具使用前应得到适当支撑。由于工具输出转矩大，运行时没有适当支撑会失控导致人身伤害。
- 当在钻削附件可能触及暗线或其自身导线的场合进行操作时，要通过绝缘握持面握持工具。钻削附件碰到带电导线会使工具外露的金属零件带电而使操作者受到电击。
- 使用夹具或采取其它可行的方法，将工件固定、支撑到稳定的平台上。手持或用身体顶住工件都是不稳定的，会导致操作失控。
- 请佩戴安全护目镜或其它护目装备。钻孔会导致飞散的碎片。飞扬的颗粒会造成眼睛永久性伤害。
- 钻头和工具会在使用过程中发热。接触时请佩戴手套。
- 请保持手柄干燥、清洁，无油或油脂。建议使用橡胶手套。这样能够提高工具的操作性。

残余风险

尽管遵守相关安全规章并采用安全装备，一些残余风险是不可避免的，它们是：

- 听力损伤
- 飞散颗粒的人身伤害风险。
- 使用时配件发热导致的灼伤风险。
- 长时间使用导致的人身伤害风险。

工具上的标识

本工具有下列图形：



使用前阅读使用手册。

日期码的位置

包含制造年份的日期码印在工具外壳上。

例如：

2014 XX XX
制造年份

包装内容

本包装含有：

- 冲击电钻 1 台
- 夹头钥匙 1 支
- 辅助手柄 1 个 (DWD025)
- 深度调节杆 1 支 (DWD025)
- 使用手册 1 本

- 检查工具、部件或配件是否在运输过程中损坏。
- 使用前，请抽空彻底阅读并掌握本手册内容。

说明 (图 1)



警告：切勿修改本电动工具或其任何部件。否则，可能造成人身伤害或工具损坏。

1. 调速开关
2. 锁定按钮
3. 正/反转拨杆
8. 夹头
11. 电线护套
12. 电源线

预期用途

本重载、可变速、正反转冲击电钻是为专业钻孔设计的。

禁止在潮湿或存在易燃液体、气体的环境中使用本工具。

本重载电钻是专业型电动工具。

禁止让儿童接触本工具。无使用经验的人必须在监督下使用。

电气安全性

电动马达仅设计为一种电压。请务必检查电源电压是否与铭牌一致。



您的得伟电动工具依据 IEC 60745 进行双重绝缘，因此无须接地线。

如果电源线损坏，必须采用得伟维修机构提供的专用线。



警告：禁止使用照明电源插座。
禁止将火线(L)或零线(N)接到标志为 E 或 \perp 的接地极上。

延长线的使用

除非绝对必要，否则请勿使用延长线。请使用与工具输入功率（见技术数据）匹配的、经过认证的延长线；最小导体尺寸为 1mm^2 ，最大长度为 30 米。

此外，还可参考下表：

导体尺寸 (mm ²)		线缆标称值 (安培)					
0.75		6					
1.00		10					
1.50		15					
2.50		20					
4.00		25					
线缆长度 (米)							
		7.5	15	25	30	45	60
电压	安培	线缆标称值 (安培)					
220-240	0-2.0	6	6	6	6	6	6
	2.1-3.4	6	6	6	6	6	6
	3.5-5.0	6	6	6	6	10	15
	5.1-7.0	10	10	10	10	15	15
	7.1-12.0	15	15	15	15	20	20
110	12.1-20.0	20	20	20	20	25	-
	0-2.0	6	6	6	6	6	10
	2.1-3.4	6	6	6	6	15	15
	3.5-5.0	6	6	10	15	20	20
	5.1-7.0	10	10	15	20	20	25
	7.1-12.0	15	15	20	25	25	-
	12.1-20.0	20	20	25	-	-	-

使用电缆卷筒时，请始终保持电缆完全展开。

有匙夹头

- 逆时针方向旋转夹头 (9)，并装入钻头柄。
- 将夹头钥匙 (10) 插入夹头侧面的孔中，并顺时针旋转直到旋紧。
- 如要取出钻头，按上述步骤反序操作。

安装侧手柄 (图A)

侧手柄可按用户需要安装，以配合右手或左手的使用习惯。



工作时，切记将辅助手柄适当地装配好。

- 拧松侧手柄。
- 对于使用右手用户，将侧手柄夹具绕过夹头后面的轴环，使手柄位于左侧。
- 对于使用左手用户，将侧手柄夹具绕过夹头后面的轴环，使手柄位于右侧。
- 将侧手柄旋转到想要的位置，并将其拧紧。

设定钻孔深度 (图C)

- 将所要求的钻头装入夹头。
- 拧松侧手柄 (6)。
- 将深度杆 (7) 穿过侧手柄夹具中的孔。
- 如图所示调节钻孔深度。
- 拧紧侧手柄。

设定工作模式 (图B)

本工具可以用于两种工作模式。



电钻模式：
该模式用于钢材、木材和塑料。



冲击钻模式：
该模式同时进行旋转和冲击，用于混凝土以及砖石钻孔等操作。

- 将模式转换器 (4) 拨到所要求的位置，以选择所要求的操作模式。

冲击钻孔 (图A)

- 选择“冲击钻”模式。
- 按下开关 (1)。

电钻钻孔 (图A)

- 选择“电钻”模式。
- 如冲击钻孔中所描述的方式一般进行钻孔。

请联系您的经销商，征询有关适当配件的进一步信息。

组装与调整



警告：为降低人身伤害的风险，在拆、装配件或调整、修理工具之前，请关闭工具并拔下工具插头。请确保触发开关处于 OFF 位置。意外启动容易造成人身伤害。

操作

使用说明



警告：请始终遵守安全守则以及适用规则的要求。

开关 (图 1、2)

要启动冲击钻，按下触发开关即可；要使冲击钻停止，松开开关即可。

调速开关 (a) 可以控制速度—按下越多，电钻的速度越快。

要使工具连续运行，按下变速开关不要松开，同时，向下按锁定按钮 (b)，然后松开开关。

注意：在金属、塑料上钻孔，或钻陶瓷时，不使用中心冲，在开始阶段使用较低的速度钻孔。在木材或复合板上钻孔，或使用研磨抛光配件时，高速的效果较好。

正/反转拨杆 (c) 用于从紧密的孔中退出钻头。其位置在触发开关的上方。要使马达反转，首先松开触发开关，然后右推拨杆。反转操作完毕后，请将拨杆恢复到正转位置。

要停止连续运行状态，短暂按下并松开开关。在工作完毕、拔下工具插头之前，请务必关闭工具开关。

钻孔



警告：为降低人身伤害风险，请始终牢固锚定或夹紧工件。如果在较薄材料上钻孔，请使用“垫板”防止损坏材料。

1. 切记使用锋利的钻头。钻木材时，应使用麻花钻头、扁平钻头、机械螺旋钻头或孔锯。钻金属时，使用钢麻花钻头或孔锯。
2. 用力方向始终与钻头成一直线。请施加足够的压力，保证钻进所需，但不要大到马达失速或钻头倾斜。
3. 请双手紧握冲击钻，控制冲击钻的扭转效应。
4. **如果冲击钻失速**，常常是由于过载或使用不当。**请立即松开触发开关**，从工件上退出钻头，查找失速的原因。**切勿试图通过按下、松开触发开关来启动失速的冲击钻—这会损坏冲击钻。**
5. 为尽量减少失速故障或避免钻头在材料中折断，请降低对冲击钻的压力，使钻头从孔的最后部分中缓和下来。
6. 从成孔中拉出钻头时，请保持马达运转。这有助于防止卡死。
7. 使用变速电钻时，无须中心冲定位。启动时采用较低速度，当钻深足以防止跳钻时，加力挤压触发开关，使电钻加速。

在金属材料上钻孔

开始钻孔时，采用较低速度；对工具坚定用力时，请增至全功率。如果金属屑平滑、均匀地流出，则表明钻孔速度适当。在金属上钻孔时，请使用切削润滑剂。但铸铁和黄铜材料例外，应干钻。

注意：在钢材上钻大孔（8 毫米）时，如果首先钻先导孔（4 毫米），则比较容易进行。

在木材上钻孔

开始钻孔时，采用较低速度；对工具坚定用力时，请增至全功率。木材钻孔可以使用和钢材钻孔一样的麻花钻头。这些钻头会过热，除非你不断拔出钻头来清理钻屑。易碎裂材料应垫上木块。

带匙夹头 (图 3、4)

DWD025 冲击钻 采用带匙夹头 (d)。

要安装钻头或其它配件，请按下列步骤进行。

1. 用手转动轴环，打开夹头钳口。然后插入钻头约 3/4" (19 毫米)。用手紧固夹头轴环。
2. 将夹头钥匙依次插入三个孔中，顺时针紧固。通过所有三个孔紧固夹头，这一点十分重要。

要松开钻头，仅在一个孔中逆时针旋转夹头即可，然后用手松开夹头。

带匙夹头的拆卸 (图3)

把 1/4" (6 毫米) 或更大尺寸六角键 (未提供) 的短端紧固到夹头内。使用软锤，在工具前视图的逆时针方向，用力击打键柄。这会松开夹头，可以用手取下。

带匙夹头的安装 (图4)

用手将夹头尽可能旋入。把 1/4" (6 毫米) 或更大尺寸六角键 (未提供) 的短端紧固到夹头内。使用软锤朝顺时针方向，用力击打键柄。

维护

您的得伟电动工具设计精良，可以长期使用，仅需极少维护。要连续获得令人满意的工作效果，需要您做合适的保养和定期的清洁。



警告：为降低人身伤害的风险，在拆、装配件或调整、修理工具之前，请关闭工具并拔下工具插头。请确保触发开关处于 OFF 位置。意外启动容易造成人身伤害。

马达电刷

得伟采用先进的电刷系统，当电刷磨损时，能够自动关闭工具。这可以防止严重损坏马达。在得伟授权的维修中心，可以提供新电刷组件。请务必使用相同的备件。



润滑

本电动工具无须另行润滑。



清洁



警告：一旦通风口及其周围积聚可见的粉尘，请即用干燥的压缩空气吹走主机外壳内的粉尘和灰尘。进行这一步骤时，请佩戴经认可的护目装备和认可的面罩。



警告：切勿使用溶剂或其它刺激性化学品来清洁工具的非金属部件。这些化学品可能削弱零件中使用的材料。只能使用抹布蘸中性肥皂水进行清洁。勿使任何液体进入工具；勿使工具的任何部分浸入液体中。

配件的选择



警告：由于非得伟配件未经本产品匹配测试，本工具若使用此类配件，将存在隐患。为降低人身伤害风险，本产品仅可使用得伟推荐的配件。

请向零售商咨询合适配件的更多信息。



注意：为降低人身伤害风险，下列配件的使用不超过表中所示的最大尺寸：

最大性能建议 (DWD025)

夹头尺寸	10 毫米
转/分钟	0-2,800
空载冲击频率	0-47,600
水泥钻头	13 毫米
金属钻孔钻头	10 毫米
木材平钻	25.4 毫米
孔锯	28.4 毫米

最大性能建议 (DWD025)

夹头尺寸	13 毫米
转/分钟	0-2,800
空载冲击频率	0-47,600
水泥钻头	16 毫米
金属钻孔钻头	13 毫米
木材平钻	25 毫米
孔锯	28.4 毫米

制造商：百得 (苏州) 科技有限公司
地址：苏州工业园区苏虹中路200号出口加工区
产地：江苏苏州

變速正反轉震動電鑽

DWD025

祝賀您!

您已選擇了得偉工具。憑借多年的經驗和在產品開發與創新方面的不斷努力，得偉已經成為專業電動工具用戶的最可靠伙伴之一。

技術數據

DWD025		
輸入功率	瓦特	750
空載速度	轉/分	0-2,800
空載衝擊頻率	次/分	0-47,600
混凝土/鋼材/木材中最大鑽深	毫米	16/13/25
夾頭軸螺紋尺寸	UNF	1/2"x20
夾頭最大容量	毫米	13
重量	千克	1.6

保險絲:

220-240 伏工具	電源 10 安培
110 伏工具	電源 13 安培

定義：安全準則

下列定義解釋了各標誌術語的嚴重程度。請仔細閱讀本手冊并注意這些標誌。



危險：表示緊急的危險情形，如不加以阻止，將導致**死亡或嚴重傷害**。



警告：表示潛在的危險情形，如不加以阻止，**可能導致死亡或嚴重傷害**。



注意：表示潛在的危險情形，如不加以阻止，**可能導致輕度或中度傷害**。

注意：（不帶安全警示標誌）：表示潛在的危險情形，如不加以阻止，**可能導致財產損壞**。



表示有觸電危險。



表示火災危險。



警告：為降低傷害風險，請閱讀使用手冊。

一般安全規則



警告！閱讀說明沒有按照以下列舉的說明而使用或操作將導致觸電、着火和/或嚴重傷害。在所有以下列舉的警告中術語“電動工具”是指電驅動（有線）電動工具或電池驅動（無線）電動工具。

保存這些說明

a) 工作場地

- 1) 保持工作場地清潔和明亮。混亂和黑暗的場地會引發事故。
- 2) 不要在易爆環境，如有易燃液體、氣體或粉塵的環境下操作電動工具。電動工具產生的火花會點燃粉塵或氣體。
- 3) 讓兒童和旁觀者離開後操縱電動工具。分心會使妳放鬆控制。

b) 電氣安全

- 1) 電動工具插頭必須與插座相配。不能以任何方式改裝插頭。需接地的電動工具不能使用任何轉換插頭。未經改裝的插頭和相配的插座將減少觸電危險。

- 2) 避免人體接觸接地表面，如管道、散熱片和冰箱。如果妳身體接地會增加觸電危險。
- 3) 不得將電動工具暴露在雨中或潮濕環境中。水進入電動工具將增加觸電危險。
- 4) 不得濫用電線。絕不能用電線搬運、拉動電動工具或拔出其插頭。讓電動工具遠離熱、油、銳邊或運動部件。受損或纏繞的電線會增加觸電危險。
- 5) 當在戶外使用電動工具時，使用適合戶外使用的外接電線。適合戶外使用的電線將減少觸電危險。

c) 人身安全

- 1) 保持警覺，當操作電動工具時關注所從事的操作并保持清醒。切勿在有疲倦、藥物、酒精或治療反應下操作電動工具。在操作電動工具期間精力分散會導致嚴重人身傷害。
- 2) 使用安全裝置。始終配戴護目鏡。安全裝置，諸如適當條件下的防塵面具、防滑安全鞋、安全帽、聽力防護等裝置能減少人身傷害。
- 3) 避免突然起動。確保開關在插入插頭時處於關斷位置。手指放在已接通電源的開關上或開關處於接通時插入頭可能會導致危險。
- 4) 在電動工具接通之前，拿掉所有調節鑰匙或扳手。遺留在電動工具旋轉零件上的扳手或鑰匙會導致人身傷害。
- 5) 手不要伸得太長。時刻注意腳下和身體平衡。這樣在意外情況下能很好地控制電動工具。
- 6) 著裝適當。不要穿寬鬆衣服或佩帶飾品。讓妳的頭髮、衣服和袖子遠離運動部件。寬鬆衣服、佩飾或長發可能會捲入運動部件。
- 7) 如果提供了與排屑裝置、集塵設備連接用的裝置，則確保他們連接完好且使用得當。使用這些裝置可減少碎屑引起的危險。

d) 電動工具使用和注意事項

- 1) 不要濫用電動工具，根據用途使用適當的電動工具。選用適當的設計額值的電動工具會使妳工作有做、更安全。
- 2) 如果開關不能接通或關斷工具電源，則不能使用該電動工具。不能用開關來控制的電動工具是危險的且必須進行修理。
- 3) 在進行任何調節、更換附件或貯存電動工具之前，必須從電源上拔掉插頭和/或將電池盒脫開電源。這種防護性措施將減少電動工具突然起動的危險。
- 4) 將閒置電動工具貯存在兒童所及範圍之外，並且不要讓不熟悉電動工具或對這些說明不了解的人操作電動工具。電動工具在未經訓練的用戶手中是危險的。
- 5) 保養電動工具。檢查運動部件的安裝偏差或卡住、零件破損情況和影響電動工具運行的其它條件。如有損壞，電動工具必須在使用前修理好。許多事故由維護不良的電動工具引發。
- 6) 保持切削刀具鋒利和清潔。保養良好的有鋒利切削刃的刀具不易卡住而且容易控制。
- 7) 按照使用說明書以及打算使用的電動工具的特殊類型要求的方式，考慮作業條件和進行的作業來使用電動工具、附件和工具的刀頭等。電動工具用作那些與要求不符的操作可能會導致危險情況。

e) 維修

- 1) 將妳的電動工具送交專業維修人員，必須使用同樣的備件進行更換。這樣確保所維修的電動工具的安全性。

電鑽附加安全細則

- **使用震動電鑽時要戴好耳罩。**暴露在噪聲中會引起聽力損傷。
- **使用隨工具提供的輔助手柄。**操作失手會引起聽力損傷。
- **鑽具可能接觸隱藏的電線或工具本身的電源線時，請僅僅握住絕緣手柄表面。**鑽具如果接觸到“帶電”導線，電動工具金屬部件表面就會“帶電”并使操作人員觸電。
- **使用夾具或采取其它可行的方法，將工件固定、支撐到穩定的平臺上。**手持或用身體頂住工件都是不穩定的，會導致操作失控。
- **請佩戴安全護目鏡或其它護目裝備。**鑽孔會導致飛散的碎片。飛揚的顆粒會造成眼睛永久性傷害。
- **鑽頭和工具會在使用過程中發熱。**接觸時請佩戴手套。
- **請保持手柄乾燥、清潔，無油或油脂。**建議使用橡膠手套。這樣能夠提高工具的操控性。

殘餘風險

儘管遵守相關安全規章并采用安全裝備，一些殘餘風險是不可避免的，它們是：

- 聽力損傷
- 飛散顆粒的人身傷害風險。
- 使用時配件發熱導致的灼傷風險。
- 長時間使用導致的人身傷害風險。

工具上的標識

本工具有下列圖形：



使用前閱讀使用手冊。

日期碼的位置

包含制造年份的日期碼印在工具外殼上。

例如：

2014 XX XX
制造年份

包裝內容

本包裝含有：

- 震動電鑽 1 臺
- 夾頭鑰匙 1 支
- 輔助手柄 1 個（DWD025）
- 深度調節桿 1 支（DWD025）
- 使用手冊 1 本

- 檢查工具、部件或配件是否在運輸過程中損壞。
- 使用前，請抽空徹底閱讀并掌握本手冊內容。

說明（圖 1）



警告：切勿修改本電動工具或其任何部件。否則，可能造成人身傷害或工具損壞。

1. 調速開關
2. 鎖定按鈕
3. 正/反轉撥桿
8. 夾頭
11. 電線護套
12. 電源線

預期用途

本重載、可變速、正反轉衝擊電鑽是為專業鑽孔設計的。

禁止在潮濕或存在易燃液體、氣體的環境中使用本工具。

本重載電鑽是專業型電動工具。

禁止讓兒童接觸本工具。無使用經驗的人必須在監督下使用。

電氣安全性

電動馬達僅設計為一種電壓。請務必檢查電源電壓是否與銘牌一致。



您的得偉電動工具依據 EN60745 進行雙重絕緣，因此無須接地線。

如果電源線損壞，必須採用得偉維修機構提供的專用線。



警告：禁止使用照明電源插座。
禁止將火線(L)或零線(N)接到標志為 E 或 \perp 的接地極上。

延長線的使用

除非絕對必要，否則請勿使用延長線。請使用與工具輸入功率（見技術數據）匹配的、經過認證的延長線；最小導體尺寸為 1mm^2 ，最大長度為 30 米。

此外，還可參考下表：

導體尺寸 (mm^2)	線纜標稱值 (安培)					
0.75	6					
1.00	10					
1.50	15					
2.50	20					
4.00	25					
線纜長度 (米)	7.5	15	25	30	45	60
電壓	安培	線纜標稱值 (安培)				
220-240	0-2.0	6	6	6	6	6
	2.1-3.4	6	6	6	6	6
	3.5-5.0	6	6	6	6	10 15
	5.1-7.0	10	10	10	10	15 15
	7.1-12.0	15	15	15	15	20 20
110	12.1-20.0	20	20	20	20	25 -
	0-2.0	6	6	6	6	6 10
	2.1-3.4	6	6	6	6	15 15
	3.5-5.0	6	6	10	15	20 20
	5.1-7.0	10	10	15	20	20 25
	7.1-12.0	15	15	20	25	25 -
	12.1-20.0	20	20	25	-	- -

使用電纜捲筒時，請始終保持電纜完全展開。

有匙夾頭

- 逆時針方向旋轉夾頭（9），並裝入轉頭柄。
- 將夾頭鑰匙（10）插入夾頭側面的孔中，並順時針旋轉直到旋緊。
- 如要取出鑽頭，按上述步驟反序操作。

安裝側手柄（圖A）

側手柄可按用戶需要安裝，以配合右手或左手的使用習慣。



工作時，切記將輔助手柄適當地裝配好。

- 擰鬆側手柄。
- 對於使用右手用戶，將側手柄夾具繞過夾頭後面地軸環，使手柄位於左側。
- 對於使用左手用戶，將側手柄夾具繞過夾頭後面地軸環，使手柄位於右側。
- 將側手柄旋轉到想要的位置，並將其擰緊。

設定鑽孔深度（圖C）

- 將所要求的鑽頭裝入夾頭。
- 擰鬆側手柄（6）。
- 將深度桿（7）穿過側手柄夾具中的孔。
- 如圖所示調節鑽孔深度。
- 擰緊側手柄。

設定工作模式（圖B）

本工具可以用于兩種工作模式。



電鑽模式：
該模式用于鋼材、木材和塑料。



衝擊鑽模式：
該模式同時進行旋轉和衝擊。用于混凝土以及磚石鑽孔等操作。

- 將模式轉換器（4）撥到所要求的位置，以選擇所要求的操作模式。

衝擊鑽孔（圖A）

- 選擇“衝擊鑽”模式。
- 按下開關（1）。

電鑽鑽孔（圖A）

- 選擇“電鑽孔”模式。
- 如衝擊鑽孔中所描述的方式一般進行鑽孔。

請聯系您的經銷商，徵詢有關適當配件的進一步信息。

組裝與調整



警告：為降低人身傷害的風險，在拆、裝配件或調整、修理工具之前，請關閉工具并拔下工具插頭。請確保觸發開關處於 OFF 位置。意外啟動容易造成人身傷害。

操作

使用說明



警告：請始終遵守安全守則以及適用規則的要求。

開關（圖 1、2）

要啟動電鑽，按下觸發開關即可；要使電鑽停止，鬆開開關即可。

調速開關 (a) 可以控制速度—按下越多，電鑽的速度越快。

要使工具連續運行，按下變速開關不要鬆開，同時，向下按鎖定按鈕 (b)，然後鬆開開關。

注意：在金屬、塑料上鑽孔，或鑽陶瓷時，不使用中心衝，在開始階段使用較低的速度鑽孔。在木材或複合板上鑽孔，或使用研磨拋光配件時，高速的做果較好。

正/反轉撥桿 (c) 用於從緊密的孔中退出鑽頭。其位置在觸發開關的上方。要使馬達反轉，首先鬆開觸發開關，然後右推撥桿。反轉操作完畢後，請將撥桿恢復到正轉位置。

要停止連續運行狀態，短暫按下并鬆開開關。在工作完畢、拔下工具插頭之前，請務必關閉工具開關。

鑽孔



警告：為降低人身傷害風險，請始終牢固固定或夾緊工件。如果在較薄材料上鑽孔，請使用“墊板”防止損壞材料。

1. 切記使用鋒利的鑽頭。鑽木材時，應使用麻花鑽頭、扁平鑽頭、機械螺旋鑽頭或孔鋸。鑽金屬時，使用鋼麻花鑽頭或孔鋸。
2. 用力方向始終與鑽頭成一直線。請施加足夠大的壓力，保證鑽進所需，但不要大到馬達失速或鑽頭傾斜。
3. 請雙手緊握電鑽，控制電鑽的扭轉效應。
4. **如果電鑽失速**，常常是由于過載或使用不當。**請立即鬆開觸發開關**，從工件上退出鑽頭，查找失速的原因。**切勿試圖通過按下、鬆開觸發開關來啟動失速的電鑽—這會損壞電鑽。**
5. 為盡量減少失速故障或避免鑽頭在材料中折斷，請降低對電鑽的壓力，使鑽頭從孔的最後部分中緩和下來。
6. 從成孔中拉出鑽頭時，請保持馬達運轉。這有助於防止卡死。
7. 使用變速電鑽時，無須中心衝定位。啟動時採用較低速度，當鑽深足以防止跳鑽時，加力擠壓觸發開關，使電鑽加速。

在金屬材料上鑽孔

開始鑽孔時，採用較低速度；對工具堅定用力時，請增至全功率。如果金屬屬平滑、均勻地流出，則表明鑽孔速度適當。在金屬上鑽孔時，請使用切削潤滑劑。但鑄鐵和黃銅材料例外，應幹鑽。

注意：在鋼材上鑽大孔（8 毫米）時，如果首先鑽先導孔（4 毫米），則比較容易進行。

在木材上鑽孔

開始鑽孔時，採用較低速度；對工具堅定用力時，請增至全功率。木材鑽孔可以使用和鋼材鑽孔一樣的麻花鑽頭。這些鑽頭會過熱，除非妳不斷拔出鑽頭來清理鑽屑。易碎裂材料應墊上木塊。

帶匙夾頭（圖 3、4）

DWD025 電鑽採用帶匙夾頭 (d)。

要安裝鑽頭或其它配件，請按下列步驟進行。

1. 用手轉動軸環，打開夾頭鉗口。然後插入鑽頭約 3/4"（19 毫米）。用手緊固夾頭軸環。
2. 將夾頭鑰匙依次插入三個孔中，順時針緊固。通過所有三個孔緊固夾頭，這一點十分重要。

要鬆開鑽頭，僅在一個孔中逆時針旋轉夾頭即可，然後用手鬆開夾頭。

帶匙夾頭的拆卸（圖3）

把 1/4"（6 毫米）或更大尺寸六角鍵（未提供）的短端緊固到夾頭內。使用軟錘，在工具前視圖的逆時針方向，用力擊打鍵柄。這會鬆開夾頭，可以用手取下。

帶匙夾頭的安裝（圖4）

用手將夾頭盡可能旋入。把 1/4"（6 毫米）或更大尺寸六角鍵（未提供）的短端緊固到夾頭內。使用軟錘朝順時針方向，用力擊打鍵柄。

維護

您的得偉電動工具設計精良，可以長期使用，僅需極少維護。要連續獲得令人滿意的工作效果，需要您做合適的保養和定期的清潔。



警告：為降低人身傷害的風險，在拆裝配件或調整、修理工具之前，請關閉工具并拔下工具插頭。請確保觸發開關處於 OFF 位置。意外啟動容易造成人身傷害。

馬達電刷

得偉採用先進的電刷系統，當電刷磨損時，能夠自動關閉工具。這可以防止嚴重損壞馬達。在得偉授權的維修中心，可以提供新電刷組件。請務必使用相同的備件。



潤滑

本電動工具無須另行潤滑。



清潔



警告：一旦通風口及其周圍積聚可見的粉塵，請即用乾燥的壓縮空氣吹走主機外殼內的粉塵和灰塵。進行這一步驟時，請佩戴經認可的護目裝備和認可的面罩。



警告：切勿使用溶劑或其它刺激性化學品來清潔工具的非金屬部件。這些化學品可能削弱零件中使用的材料。祇能使用抹布蘸中性肥皂水進行清潔。勿使任何液體進入工具；勿使工具的任何部分浸入液體中。

配件的選擇



警告：由於非得偉配件未經本產品匹配測試，本工具若使用此類配件，將存在隱患。為降低人身傷害風險，本產品僅可使用得偉推薦的配件。

請向零售商諮詢合適配件的更多信息。



注意：為降低人身傷害風險，下列配件的使用不超過表中所示的最大尺寸：

最大性能建議 (DWD025)

夾頭尺寸	13 毫米
轉/分鐘	0-2,800
空載衝擊頻率	0-47,600
水泥鑽頭	16 毫米
金屬鑽孔鑽頭	13 毫米
木材平鑽	25.4 毫米
孔鋸	28.4 毫米

進口商：新加坡商百得電動工具(股)台灣分公司
地址：台北市北投區裕民六路120號4F
電話：02-28201065

總經銷商：永安實業股份有限公司
地址：新北市三重區新北大道二段137號
電話：02-29994633

가변 속도 양방향 드릴 DWD025

축하합니다!

DEWALT 공구를 선택해 주셔서 감사합니다. DEWALT는 오랜 경험과 제품 개발 및 혁신을 통해 전문 전동 공구 사용자들이 인정하는 기업으로 자리잡아 왔습니다.

기술 데이터

		DWD025-KR
전압	V	220
전원 입력	W	750
무부하 속도	min ⁻¹	0-2,800
무부하 충격	min ⁻¹	0-47,600
최대 천공 범위		
스틸/우드	mm	16/13/25
척 스피들 스퀘드		
크기	UNF	1/2x20
최대 척 용량	mm	13
중량	kg	1.6

퓨즈 :		
220-240 V 공구	10 A,	주전원
110 V 공구	13 A,	주전원

정의: 안전 지침

다음 정의는 각 경고 문구의 심각도를 설명합니다. 사용 설명서를 읽고 다음과 같은 기호들에 유의하십시오.



위험: 절박한 위험 상태를 나타내며, 방지하지 않으면 **사망 또는 심각한 부상을** 초래합니다.



경고: 잠재적으로 위험한 상태를 나타내며, 방지하지 않으면 **사망 또는 심각한 부상을** 초래할 수도 있습니다.



주의 사항: 잠재적으로 위험한 상태를 나타내며, 방지하지 않으면 **경미하거나 가벼운 부상을** 초래할 수 있습니다.

주의 사항: 안전 경고 기호 없이 사용되면 잠재적으로 위험한 상태를 나타내며, 방지하지 않으면 **재산상의 손해가** 발생할 수 있습니다. 감전 위험을 나타냅니다.



화재 위험을 나타냅니다.



경고: 부상 위험을 줄이려면 사용 설명서를 숙지하십시오.

전동 공구에 관한 일반 안전 경고



경고! 안전에 관한 모든 경고 및 지시 사항을 숙지하십시오. 경고 및 지시 사항을 준수하지 않으면 감전, 화재 및/또는 심각한 부상을 초래할 수 있습니다.

항후 참고할 수 있도록 모든 경고 및 지시 사항을 보관해두십시오.

경고에서 사용되는 “전동 공구” 라는 말은 (코드 사용) 전동 공구 또는 (코드 미사용) 배터리 구동 전동 공구를 의미합니다.

1) 작업 영역 안전

a) 작업 영역을 청결하고 밝게 유지하십시오.

혼잡하거나 어두운 작업 영역에서는 사고가 발생하기 쉽습니다.

b) 가연성 액체, 가스 또는 먼지 등 폭발성

분위기에서 전동 공구를 사용하지 마십시오. 전동 공구에 먼지나 연기를 발화시킬 수 있는 불꽃이 될 수 있습니다.

c) 전공 공구를 사용하는 동안에는 어린이와 주변 사람들이 작업 영역에 가까이 들어오지 못하도록 하십시오. 주변이 산만해져 통제력을 잃을 수 있습니다.

2) 전기 안전

- a) 전동 공구의 플러그는 콘센트와 형식이 맞아야 합니다. 플러그를 어떤 방식으로든 절대 개조하지 마십시오. 접지된(지면 접지) 전동 공구와 함께 어댑터 플러그도 사용하지 마십시오. 개조되지 않은 플러그 및 형식이 맞는 콘센트를 사용하면 감전 위험이 줄어듭니다.
- b) 파이프, 라디에이터, 렌치 및 냉장고 등과 같이 접지된 표면에 몸이 닿지 않도록 하십시오. 몸이 접지되어 있으면 감전 위험이 높아집니다.
- c) 전동 공구를 비 또는 습한 환경에 노출시키지 않도록 주의하십시오. 전동 공구에 물이 들어가면 감전 위험이 높아집니다.
- d) 코드를 함부로 다루지 마십시오. 코드를 잡고 전동 공구를 운반하거나 잡아당기거나 플러그를 빼지 마십시오. 열, 오일, 날카로운 모서리 또는 움직이는 부품에 닿지 않도록 코드를 보관하십시오. 코드가 손상되거나 뒤얽혀 있으면 감전 위험이 높아집니다.
- e) 전동 공구를 실외에서 사용할 때는 실외 사용에 적합한 연장 코드를 사용하십시오. 실외 사용에 적합한 코드를 사용하면 감전 위험이 줄어듭니다.
- f) 어쩔 수 없이 습한 장소에서 전동 공구를 사용해야 하는 경우에는 차단기(RCD)로 보호된 전원을 공급하십시오. RCD를 사용하면 감전 위험이 줄어듭니다.

3) 신체 안전

- a) 전동 공구를 사용할 때는 방심하지 말고 작업에 주의하면서 상식을 따르십시오. 피곤한 상태이거나 약물, 술, 치료제를 복용한 상태에서는 전동 공구를 사용하지 마십시오. 전동 공구를 사용하는 중에 주의를 잃어 신체 부상을 당할 수 있습니다.
- b) 신체 보호 장구를 착용하십시오. 항상 눈 보호 장구를 착용하십시오. 적합한 상황에서 방진 마스크, 미끄럼 방지 안전화, 안전모 또는 청력 보호 기구 등의 보호 장구를 사용하면 신체 부상 위험이 줄어듭니다.
- c) 의도하지 않은 장비 가동 방지. 전원 및/또는 배터리 팩에 연결한 상태로 공구를 선택 또는 운반할 때는 사전에 스위치가 꺼진 위치에 있는지 반드시 확인하십시오. 스위치가 켜진 위치에 있는 상태에서 스위치에 손가락이 닿은 상태로 전동 공구를 운반하거나 전동 공구에 전원을 공급하면 사고가 발생합니다.
- d) 전동 공구를 켜기 전에 모든 조정 키 또는 렌치를 제거하십시오. 전동 공구의 회전부에 렌치나 키가 부착되어 있으면 신체 부상을 당할 수 있습니다.

- e) 무리하게 팔을 뻗지 마십시오. 항상 올바른 자세로 서서 균형을 유지하십시오. 그러면 예기치 않은 상황에서 전동 공구에 대한 제어력이 향상됩니다.
- f) 적절한 의복을 착용합니다. 헐렁한 옷이나 장신구를 착용하지 마십시오. 머리카락, 옷 및 장갑이 움직이는 부품에 닿지 않도록 유의하십시오. 헐렁한 옷, 장신구 또는 긴 머리가 움직이는 부품에 말려들 수 있습니다.
- g) 먼지 배출 및 집진 시설 연결을 위한 장치가 제공된 경우, 이를 장치가 연결되어 적절히 사용되고 있는지 반드시 확인하십시오. 집진 장치를 사용하면 먼지와 관련된 위험을 줄일 수 있습니다.

4) 전동 공구 사용 및 주의 사항

- a) 전동 공구에 무리한 힘을 가하지 마십시오. 해당 용도에 맞는 올바른 전동 공구를 사용하십시오. 올바른 전동 공구를 사용해야 설계된 속도로 작업을 더욱 안전하고 정확하게 수행할 수 있습니다.
- b) 스위치로 켜지고 꺼지지 않는 전동 공구는 사용하지 마십시오. 스위치로 제어되지 않는 전동 공구는 위험하며 수리가 필요합니다.
- c) 전동 공구를 조정하거나 액세서리를 변경하거나 보관하기 전에 전원 및/또는 배터리 팩에서 플러그를 빼십시오. 이러한 예방적 안전 조치를 따라야 전동 공구가 갑자기 작동할 위험이 줄어듭니다.
- d) 사용하지 않는 전동 공구는 어린이의 손이 닿지 않는 곳에 보관하고, 전동 공구나 본 지시 사항에 익숙하지 않은 사람이 전동 공구를 절대 사용하지 못하게 하십시오. 전동 공구는 훈련을 받지 않은 사용자가 다루면 위험합니다.
- e) 전동 공구 유지 보수. 움직이는 부품의 잘못된 정렬이나 바인딩, 부품 파손 및 기타 전동 공구의 작동에 영향을 미칠 수 있는 상태가 있는지 확인하십시오. 손상된 부분이 있는 경우 사용하기 전에 전동 공구를 수리하십시오. 많은 사고는 전동 공구를 제대로 유지 보수하지 않아 발생합니다.
- f) 절삭 공구를 예리하고 깨끗한 상태로 유지하십시오. 유지 보수를 올바르게 수행하여 절삭 가장자리가 예리한 절삭 공구를 사용하면 바인딩이 적고 다루기가 용이합니다.
- g) 작업 환경과 수행할 작업을 고려하여, 본 지시 사항에 따라 전동 공구, 액세서리 및 볼트 등을 사용하십시오. 본 사용 설명서의 내용과 다른 용도로 전동 공구를 사용하면 위험한 상황이 발생할 수 있습니다.

5) 정비

- a) 자격을 갖춘 기술자가 동일 교체 부품을 사용하여 정비 작업을 수행해야 합니다. 그래야 전동 공구의 안전이 보장됩니다.

드릴에 특정하게 적용되는 추가 안전 규칙

- **귀보호대(귀마개)를 하세요.** 소음에 노출시 청력손상의 원인이 될 수 있습니다.
- **공구와 함께 제공되어진 보조 핸들을 사용하세요.** 제대로 조정하지 않을시, 다칠 수 있습니다.
- **절삭 액세서리가 숨겨진 배선 또는 자체 코드에 접촉할 수 있는 작업을 수행할 때는 절연된 그림핑 표면만 당도록 하여 전동 공구를 잡으십시오.** “전류가 흐르는” 전선에 접촉된 절삭 액세서리는 전동 공구의 노출된 금속 부품을 “전류가 흐르는 상태” 로 만들어 작업자를 감전시킬 수 있습니다.
- **클램프 또는 다른 적절한 방식을 이용하여 안전된 작업대에 작업 공구들을 고정 및 지지하십시오.** 작업물을 손으로 잡거나 몸에 지지하는 행동은 불안정하며, 제어력을 잃을 수 있습니다.
- **안전 고글 또는 기타 눈 보호 장구를 착용하십시오.** 드릴 작업 시 파편이 날아갈 수 있습니다. 파편이 날아가 눈이 영구적으로 손상될 수 있습니다.
- **작업 중에는 공구와 톨 비트가 뜨겁습니다.** 이를 만질 때는 장갑을 착용하십시오.
- **핸들을 오일 및 기름기 없이 깨끗하고 건조한 상태로 유지하십시오. 고무 장갑을 이용하는 것이 좋습니다.** 그래야 공구를 보다 잘 제어할 수 있습니다.

기타 잔류 위험

관련된 안전 규정을 준수하고 안전 장치를 사용한다고 해도 특정한 위험은 피할 수 없습니다. 이러한 위험은 다음과 같습니다.

- 청력 손상
- 파편 날림으로 인한 신체 부상 위험
- 작업 중 뜨거워지는 액세서리로 인한 화상 위험
- 장시간 사용으로 인한 신체 부상의 위험

공구에 표시된 마크

공구에는 다음과 같은 그림이 있습니다.



사용 전에 사용 설명서의 내용을 숙지하십시오.

날짜 코드 위치

날짜 코드에는 제조년도가 포함되어 케이스에 인쇄되어 있습니다.

예:

2014 XX XX
제조년도

포장 내용물

포장에 다음 내용물이 들어 있습니다.

드릴 1개

척 키 1개

사이드 핸들 1개 (DWD025)

깊이 조정 바 1개 (DWD025)

사용 설명서 1개

- 운반 중에 발생할 수 있는 공구, 부품 또는 액세서리의 손상 여부를 확인하십시오.
- 작동 전에 시간을 내어 본 사용 설명서를 읽고 숙지하십시오.

설명 (그림 1)



경고: 전공 공구 또는 전동 공구의 어떤 부품도 절대 개조하지 마십시오. 제품이 파손되거나 신체 부상을 당할 수도 있습니다.

1. 가변 속도 스위치
2. 잠금 버튼
3. 전진/후진 레버
4. 모드 선택기
5. 통풍구
6. 사이드 핸들
7. 심도 조절 봉
8. 키가 있는 척
9. 슬리브
10. 손잡이 키

용도

본 헤비듀티 V.S.R. 드릴은 전문가용 드릴로 제작되었습니다.

습한 환경이나 가연성 액체 또는 가스가 있는 장소에서 사용하지 **마십시오.**

본 헤비듀티 드릴은 전문가용 공구입니다.

어린이가 이 공구를 만지지 **않도록 하십시오.** 경험이 없는 작업자가 이 공구를 사용할 때는 감독자의 지도가 필요합니다.

전기 안전

전기 모터는 한 가지 전압에만 맞추어 설계되었습니다. 전원이 전동기 명판에 기재된 전압과 일치하는지 항상 확인하십시오.



DeWALT 전동 공구는 EN 60745에 따라 이중 절연되어 있습니다. 따라서 접지선이 필요하지 않습니다.

전원 코드가 손상된 경우에는 DEWALT 서비스 센터를 통해 특수 제작된 코드로 교체해야만 합니다.



경고: 절대 라이트 소켓을 사용하지 마십시오.
 활성(L) 또는 중성(N) 와이어를 E 또는 N 로 표시된 접지 핀에 절대 연결하지 마십시오.

연장 코드 이용

연장 코드는 가급적 사용하지 말아주세요. 사용 중인 충전기 전원 입력에 맞는 승인된 연장 코드를 사용하십시오(기술 데이터 참조). 최대 도체 크기는 1 mm², 최대 길이는 30 m입니다. 아래 표를 참조하십시오.

도체 크기 (mm ²)	케이블 정격 (A)					
0.75	6					
1.00	10					
1.50	15					
2.50	20					
4.00	25					

케이블 길이 (m)						
	7.5	15	25	30	45	60

전압	전류 (A)	케이블 정격 (A)					
220-240	0-2.0	6	6	6	6	6	6
	2.1-3.4	6	6	6	6	6	6
	3.5-5.0	6	6	6	6	10	15
	5.1-7.0	10	10	10	10	15	15
	7.1-12.0	15	15	15	15	20	20
	12.1-20.0	20	20	20	20	25	-
110	0-2.0	6	6	6	6	6	10
	2.1-3.4	6	6	6	6	15	15
	3.5-5.0	6	6	10	15	20	20
	5.1-7.0	10	10	15	20	20	25
	7.1-12.0	15	15	20	25	25	-
	12.1-20.0	20	20	25	-	-	-

케이블 릴을 이용할 때는 항상 케이블을 완전히 푸십시오.

조립 및 조정

작동모드선택(그림2)

본 공구는 두가지 작동모드가 있습니다.



회전식 드릴
 스틸, 목재와 플라스틱에 사용



충격식 드릴
 콘크리트 또는 벽돌 구조에서 회전식과 충격식드릴작업을 동시에 진행합니다.

- 모드선택기(4) 를 필요한 위치에 돌려서, 필요한 작동모드를 선택세요.

키가 있는 척

- 슬리브 (9) 를 시계방향과 반대되는 방향으로 돌려서 손잡이를 열고, 드릴날을 삽입하세요.
- 손잡이 키 (10) 를 측면의 각 홈에 두고 오른쪽방향으로 꺾어 조입니다.
- 드릴날을 제거하면 반대의 순서로 하면 됩니다.

사이드 핸들 조정(그림1)

사이드 핸들 (6) 의 조립은 왼손 잡이, 오른손 잡이에 모두 조정 가능합니다.



항상 사이드 핸들을 정확하게 조립후, 드릴을 사용하세요.

- 사이드 핸들을 풀어줍니다.
- 오른손 잡이 고객은 사이드 핸들을 손잡이 뒤의 꺾쇠를 밀어서 왼쪽으로 잡으세요.
- 왼손 잡이 고객은 사이드 핸들을 손잡이 뒤의 꺾쇠를 밀어서 오른쪽으로 잡으세요.
- 사이드 핸들을 원하는 위치에 돌려 꺾어 조입니다.

드릴 깊이의 설정(그림3)

- 요구에 맞는 드릴 날을 손잡이에 삽입합니다.
- 사이드 핸들 (6) 을 풀어줍니다.
- 사이드 핸들 꺾쇠의 홈에 깊이 조절봉(7)을 조정합니다.
- 드릴 깊이를 그림과 같이 조정합니다.
- 사이드 핸들을 조입니다.

충격식 드릴(그림1)

- 충격 모드를 선택합니다.
- 스위치 (1) 를 누릅니다.

회전식 드릴(그림1)

- 회전 드릴모드를 선정합니다.
- 충격식 드릴과 같이 조작합니다.

해당 액세서리에 관한 정보는 판매대리점으로 문의 하십시오.



경고: 설정을 조정 또는 변경하기 전 또는 수리할 때 **신체 부상의 위험을 줄이려면 장치를 끄고 전원에서부터 기기 연결을 해제하십시오.** 트리거 스위치가 OFF 상태에 있는지 반드시 확인하십시오. 공구가 갑자기 작동하여 신체 부상을 당할 수도 있습니다.

사용 지침



경고: 안전 지시 사항과 해당 규정을 항상 준수하십시오.

스위치 (그림 1)

드릴을 작동시킬 때는 트리거 스위치를 누르고 드릴 작동을 멈출 때는 트리거를 놓습니다. 가변 속도 트리거 스위치 (1)는 속도 조절이 가능합니다. 즉, 트리거를 많이 누를수록 드릴 속도가 빨라집니다.

드릴을 연속 작동시키려면 가변 속도 스위치를 누른 상태에서 잠금-On 버튼 (2)을 위로 누른 다음 스위치를 놓습니다.

참고: 중앙 펀치가 없는 시작 홈, 금속이나 플라스틱 드릴작업, 또는 세라믹 드릴 작업 시에는 속도를 낮추어 사용하십시오. 나무 및 합판의 드릴 작업과 연마 및 광택 액세서리 사용 시에는 속도를 높이는 것이 좋습니다.

좁은 구멍에서 비트를 빼내거나 스크류를 떼어낼 때는 정/역방향 레버 (3)를 사용하십시오. 이 레버는 트리거 스위치 위에 있습니다. 모터를 역회전시키려면 먼저 트리거 스위치를 놓은 다음 레버를 오른쪽으로 미십시오. 역방향 작동 후에는 레버를 다시 정방향 위치에 놓으십시오. 연속 작동을 멈추려면 스위치를 짧게 눌렀다 놓습니다. 작업이 끝나면 플러그를 빼기 전에 항상 공구 스위치를 꺼짐 위치로 놓습니다.

드릴 작업



경고: 신체 부상의 위험을 줄이려면 항상 작업물이 앵커나 클램프로 단단히 고정되어 있는지 확인하십시오. 얇은 자재에 드릴 작업을 하는 경우에는 나무로 된 “덧판”을 이용하여 자재 손상을 방지하십시오.

1. 날카로운 드릴 비트만 사용하십시오. 나무의 경우 트윈스트 드릴 비트, 스페이드 비트, 파워 오거 비트 또는 원통톱을 사용하십시오. 금속의 경우 스틸 트윈스트 드릴 비트 또는 원통톱을 사용하십시오.
2. 항상 비트에 직선으로 압력을 가하십시오. 드릴이 작업물을 파고들기에 충분한 압력을 가하되, 모터 또는 비트가 변형될 정도로 강한 압력을 가하지 마십시오.
3. 드릴의 비틀림 작동을 지탱할 수 있도록 두 손으로 공구를 단단하게 잡으십시오.
4. **드릴의 회전이 멈추는 경우는 일반적으로 과부하가 걸렸거나 부적합하게 사용했기 때문입니다. 트리거를 즉시 놓고, 작업 대상으로부터 드릴 비트를 제거한 다음 회전이 멈춘 원인을 해결하십시오. 회전이 멈춘 드릴을 다시 작동시키기 위해 트리거를 당기고 놓는 동작을 취하지 마십시오. 드릴 손상의 원인이 됩니다.**
5. 자재를 뚫는 동안 비트의 회전이 멈추거나 비트가 부러지지 않도록 구멍의 마지막 부분에서 압력을 줄이고 홈에서 비트를 부드럽게 빼내십시오.
6. 뚫린 구멍 밖으로 비트를 빼낼 때 모터를 가동 상태로 유지하십시오. 그래야 걸림 현상이 방지됩니다.
7. 가변 속도 드릴을 이용하면 드릴 작업할 지점에 센터 펀치 작업을 할 필요가 없습니다. 드릴 작업 시에는 낮은 속도로 시작했다가, 드릴이 밖으로 밀려나지 않고 구멍을 뚫기에 충분한 깊이의 구멍이 생기면 트리거를 더욱 강하게 잡아당겨 속도를 높이십시오.

금속 드릴 작업

낮은 속도로 드릴 작업을 시작하고 공구를 힘껏 잡은 상태에서 트리거를 끝까지 당깁니다. 금속 조각이 균일하고 부드럽게 빠져나오면 드릴 속도가 적당하다는 것을 나타냅니다. 금속 드릴 작업 시에는 절삭 윤활유를 이용하십시오. 건조 상태로 드릴 작업해야 하는 주철과 황동의 경우는 예외입니다.

참고: 먼저 예비 구멍(5/32" (4 mm))을 뚫어놓으면 큰 스틸 구멍(5/16" (8 mm))을 뚫기가 쉬워집니다.

나무 드릴 작업

낮은 속도로 드릴 작업을 시작하고 공구를 힘껏 잡은 상태에서 트리거를 끝까지 당깁니다. 금속용 트윈스트 드릴로 나무도 뚫을 수 있습니다. 비트를 자주 빼내어 나선형 홈에서 칩을 비우지 않으면 비트가 과열될 수 있습니다. 쪼개지지 쉬운 작업물은 나무 블록으로 지지해야 합니다.

키가 있는 척(그림 4)

DeWALT DWD025에는 키가 있는 척 (9)이 사용됩니다. 드릴 비트 또는 기타 액세서리를 삽입하려면 아래 단계를 따르십시오.

1. 손으로 칼라를 돌려 척 쥘(chuck jaws)를 열고 비트의 뿔대(shank)를 약 3/4"(19 mm) 깊이만큼 척에 삽입합니다. 척 칼라를 손으로 조입니다.
2. 3개의 각 구멍에 척 키를 끼우고 시계 방향으로 조입니다. 3개의 구멍 모두에서 척을 조여야 합니다.

비트를 빼낼 때는 하나의 구멍에서만 척을 시계 반대 방향으로 돌린 다음, 손으로 척을 푸십시오.

키가 있는 척 제거(그림 4)

1/4"(6 mm) 이상 크기의 육각 키(제공되지 않음)의 짧은 쪽 주변으로 척을 조입니다. 연성 망치를 사용하여 공구 전면에서 보았을 때 시계 반대 방향으로 키를 세게 칩니다. 그러면 척이 풀어져 손으로 제거할 수 있습니다.

키가 있는 척 설치(그림 4)

손으로 최대한 척을 돌립니다. 1/4"(6 mm) 이상 크기의 육각 키(제공되지 않음)의 짧은 쪽을 삽입하고, 연성 망치를 사용하여 시계 방향으로 키를 칩니다.

유지 보수

DeWALT 전동 공구는 최소한의 유지 보수로 장기간에 걸쳐 작업이 가능하도록 설계되어 있습니다. 오랜 시간 만족스러운 성능으로 공구를 사용하려면 적합한 공구 관리와 정기적인 청소가 중요합니다.



경고: 액세서리를 설치 및 제거하기 전, 구성 상태를 조정하거나 변경하기 전, 또는 수리 시 **부상의 위험을 줄이려면 장치를 끄고 전원으로부터 연결을 분리하십시오.** 트리거 스위치가 OFF 위치에 있는지 반드시 확인하십시오. 공구가 갑자기 작동하여 신체 부상을 당할 수 있습니다.

모터 브러시

DeWALT는 브러시가 마모되면 드릴을 자동으로 중단시키는 첨단 브러시 시스템을 채택했습니다. 따라서 모터의 심각한 손상이 방지됩니다. 새 브러시 어셈블리를 교체할 때는 DeWALT 인증 서비스 센터를 이용할 수 있습니다. 항상 동일한 교체 부품을 사용하십시오.



윤활 작업

전공 공구는 별도의 윤활 작업이 필요하지 않습니다.



청소



경고: 통풍구 속이나 주변에 먼지가 쌓여있는 것이 보이면 가능한 한 자주 건조한 공기를 이용하여 몸체에서 먼지를 풀어내십시오. 이 절차를 수행할 때에는 승인된 눈 보호 장구 및 승인된 방진 마스크를 착용하십시오.



경고: 공구의 금속 이외 부품을 청소할 때는 용제 등의 강력한 화학약품을 절대 사용하지 마십시오. 그렇지 않으면 이러한 부분에 사용된 재료가 약해질 수 있습니다. 헹굼에 물과 연한 비누를 적셔 닦아주십시오. 공구 내부에 액체를 넣거나 공구 부품을 액체에 담그는 행동은 절대 금물입니다.

음션 액세서리



경고: DeWALT에서 제공하지 않은 액세서리는 본 제품에서 테스트되지 않았으므로 본 제품에서 이러한 액세서리를 사용하면 위험할 수 있습니다. 신체 부상의 위험을 줄이려면 본 제품에 DeWALT 권장 액세서리만 사용해야 합니다.

해당 액세서리에 대한 자세한 정보는 판매 대리점으로 문의하십시오.



주의: 신체 부상의 위험을 줄이려면
다음과 같은 액세서리를 최대 아래 표에
표시된 크기까지만 사용해야 합니다.

최대 권장 용량
(DWD025)

드릴 용량	10 mm
비트, 금속 드릴 작업	10 mm
비트, 석재 드릴 작업	13 mm
나무, 평면 구멍	25.4 mm
원통톱	28.4 mm

최대 권장 용량
(DWD025)

드릴 용량	13 mm
비트, 금속 드릴 작업	13 mm
비트, 석재 드릴 작업	16 mm
나무, 평면 구멍	25 mm
원통톱	30 mm

ส่วนไฟฟ้าเดินหน้าถอยหลังแบบปรับระดับความเร็วได้ DWD025

ขอแสดงความยินดี!

คุณได้เลือกใช้เครื่องมือของ DEWALT ด้วยประสบการณ์ยาวนานปี ตลอดจนการพัฒนาผลิตภัณฑ์และนวัตกรรมใหม่ ๆ ทำให้ DEWALT เป็นหนึ่งในเครื่องมือไฟฟ้าที่น่าเชื่อถือที่สุดสำหรับกลุ่มผู้ใช้เครื่องมือไฟฟ้าระดับมืออาชีพ

ข้อมูลทางเทคนิค

		DWD025-B1/XD
แรงดันไฟฟ้า	โวลต์	220-240
กำลังไฟเข้า	วัตต์	750
ความเร็วขณะไม่มีภาระโหลด	นาที ¹	0-2,800
การอัดโดยไม่มีภาระโหลด	นาที ¹	0-47,600
ระยะการเจาะสูงสุด	มม.	16/13/25
เหล็ก/ไม้		
ขนาดเกลียว	UNF	1/2"x20
ของกันหมุนตัวจับดอกสว่าน		
ความสามารถสูงสุดของตัวจับดอกสว่าน	มม.	13
น้ำหนัก	กก.	1.6
ที่วิส:		
เครื่องมือขนาด 220-240 โวลต์	10 แอมแปร์, สายเมน	
เครื่องมือขนาด 110 โวลต์	13 แอมแปร์, สายเมน	

คำจำกัดความ: ข้อแนะนำด้านความปลอดภัย

คำจำกัดความด้านล่างอธิบายถึงระดับความรุนแรงของค่าแต่ละค่าที่ใช้ในการอธิบายสัญญาณ โปรดอ่านคู่มือและให้ความสนใจกับสัญลักษณ์เหล่านี้



อันตราย: หมายถึงสถานการณ์ที่ก่อให้เกิดอันตรายได้อย่างฉับพลัน ซึ่งหากไม่ระวัง จะทำให้เสียชีวิตหรือบาดเจ็บสาหัสได้



คำเตือน: หมายถึงสถานการณ์ที่มีแนวโน้มว่าจะก่อให้เกิดอันตราย ซึ่งถ้าไม่ระวัง อาจทำให้เสียชีวิตหรือบาดเจ็บสาหัสได้



ระวัง: หมายถึงสถานการณ์ที่มีแนวโน้มว่าจะก่อให้เกิดอันตราย ซึ่งถ้าไม่ระวัง อาจทำให้ได้รับบาดเจ็บเล็กน้อยหรือปานกลาง

ระวัง: การใช้งานในกรณีที่ไม่มีความปลอดภัย แจ้งเตือนความปลอดภัย หมายถึงสถานการณ์ที่มีแนวโน้มว่าจะก่อให้เกิดอันตราย ซึ่งถ้าไม่ระวัง อาจทำให้ทรัพย์สินขาดเสียหายได้



แสดงถึงอันตรายจากการถูกไฟดูด



แสดงถึงอันตรายอาจเกิดเพลิงไหม้



คำเตือน: การอ่านคู่มือการใช้งานเล่มนี้ เพื่อลดความเสี่ยงจากการได้รับบาดเจ็บ

คำเตือนด้านความปลอดภัยทั่วไปจากการใช้เครื่องมือไฟฟ้า



คำเตือน! อ่านคำเตือนและคำแนะนำด้านความปลอดภัยทั้งหมด การไม่ปฏิบัติตามคำเตือนและคำแนะนำเหล่านี้ อาจทำให้ถูกไฟดูด เกิดเพลิงไหม้และ/หรือบาดเจ็บสาหัสได้

จัดเก็บเอกสารคำเตือนและคำแนะนำทั้งหมดไว้เพื่อการอ้างอิงในภายหลัง

คำว่า "เครื่องมือไฟฟ้า" ในคำเตือน หมายถึง เครื่องมือไฟฟ้าที่ทำงานผ่านสายเมน (มีสาย) หรือแบตเตอรี่ (ไม่มีสาย)

1) ความปลอดภัยในบริเวณที่ทำงาน

- รักษาความสะอาดและจัดให้มีแสงสว่างเพียงพอในบริเวณที่ทำงาน บริเวณที่คับแคบหรือมืดทำให้เกิดอุบัติเหตุได้
- ห้ามใช้เครื่องมือไฟฟ้าในบริเวณที่อาจเกิดการระเบิด เช่น เมื่อมีช่องเหลวไวไฟแก๊ส หรือ ฟันละออง เครื่องมือไฟฟ้าจะทำให้เกิดประกายไฟที่อาจทำให้เกิดฝุ่นหรือเปลวไฟ ระวังไม่ให้เด็กเล็กและคนเดินผ่านไปมาเข้าใกล้ในขณะที่ใช้งานเครื่องมือไฟฟ้า สิ่งรบกวนอาจทำให้คุณเสียสมาธิได้

2) ความปลอดภัยทางไฟฟ้า

- ก) ปลั๊กไฟของเครื่องต้องเป็นชนิดเดียวกับเต้ารับ ห้ามตัดแปลงปลั๊กไม่ว่าจะด้วยวิธีใด ห้ามใช้ตัวแปลงปลั๊กกับเครื่องมือไฟฟ้าที่ต่อสายดิน ปลั๊กที่ไม่มีการตัดแปลงและเต้ารับชนิดเดียวกันจะช่วยลดความเสี่ยงจากไฟฟ้าช็อต
- ข) หลีกเลี่ยงการสัมผัสพื้นผิวที่ต่อสายดิน เช่น ท่อ หม้อน้ำ เต่าหุงต้ม และตู้เย็น มีความเสี่ยงเพิ่มขึ้นที่จะถูกไฟดูดหากร่างกายเป็นสื่อเชื่อมต่อกับสายดิน
- ค) อย่าให้เครื่องมือไฟฟ้าถูกฝนหรือเปียกน้ำ น้ำที่เข้าเครื่องมือไฟฟ้าจะทำให้ความเสี่ยงในการถูกไฟฟาดเพิ่มขึ้น
- ง) ระงอยยาให้สายไฟขาด ห้ามใช้สายไฟเหนือหัว ดึง หรือถอดปลั๊กเครื่องมือไฟฟ้าเก็บสายไฟให้พ้นจากความร้อน น้ำมันของมีคม หรือ ชิ้นส่วนที่กำลังเคลื่อนที่ สายไฟที่ขาดหรือพันกันเป็นการเพิ่มความเสี่ยงจากไฟฟ้าช็อต
- จ) เมื่อใช้เครื่องมือไฟฟ้ากลางแจ้ง ให้ใช้สายพ่วงที่เหมาะสมสำหรับการใช้งานกลางแจ้ง ใช้สายไฟที่เหมาะสมสำหรับการใช้งานกลางแจ้งเพื่อลดความเสี่ยงที่จะเกิดไฟฟ้าช็อต
- ฉ) หากไม่สามารถหลีกเลี่ยงการใช้เครื่องมือไฟฟ้าในบริเวณที่ชื้นและได้ให้ใช้อุปกรณ์ป้องกันไฟฟ้าสะสม (RCD) ที่จัดให้ ใช้ RCD เพื่อลดความเสี่ยงจากการเกิดไฟฟ้าช็อต

3) ความปลอดภัยส่วนบุคคล

- ก) ดึงตัวและมีสมาธิกับสิ่งที่ถูกกำลังทำ พร้อมใช้สามัญสำนึกเมื่อใช้เครื่องมือไฟฟ้า ห้ามใช้เครื่องมือไฟฟ้าในขณะที่คุณกำลังเหนื่อยหรืออยู่ใต้อิทธิพลของยา แอลกอฮอล์หรือการรับประทานบางอย่าง การขาดความระมัดระวังในการใช้เครื่องมือไฟฟ้าแม้ชั่วขณะหนึ่งอาจทำให้บาดเจ็บสาหัสได้
- ข) ใช้อุปกรณ์ป้องกันส่วนบุคคล สวมอุปกรณ์ป้องกันตาเสมอ อุปกรณ์ป้องกัน เช่น หน้ากากกันฝุ่น รองเท้านิรภัยกันส้น หมวกนิรภัย หรืออุปกรณ์ป้องกันเสียงดังสำหรับสภาพที่เหมาะสมจะลดผลกระทบจากเสียงส่วนบุคคล
- ค) บังกันการสารถเครื่องโดยไม่ตั้งใจ สวิตช์ต้องอยู่ในตำแหน่งปิดก่อนเสียบปลั๊กของเครื่องเข้ากับแหล่งจ่ายไฟ และ/หรือ แบตเตอรี่ ยกหรือหัวเครื่องมือ การยกเครื่องมือไฟฟ้าในขณะที่นิ้วอยู่ที่สวิตช์ หรือใช้เครื่องมือไฟฟ้าที่สวิตช์เปิดอยู่ อาจทำให้เกิดอุบัติเหตุได้
- ง) ถอดกฏແຈບปรับแต่งหรือประแจออกก่อนเปิดสวิตช์เครื่องมือไฟฟ้า ประแจหรือกฏແຈบที่เสียบควรวางกับชิ้นส่วนที่กำลังหมุนของเครื่องมือไฟฟ้าอาจทำให้ได้รับบาดเจ็บได้

- จ) ห้ามเขย่งขณะใช้เครื่อง ยืนในท่าที่เหมาะสมและสมดุลตลอดเวลา เพื่อช่วยในการควบคุมเครื่องมือไฟฟ้าได้ดียิ่งขึ้นในสถานการณ์ที่ไม่คาดคิด
- ฉ) แต่งกายให้เหมาะสม ห้ามสวมเสื้อผ้าหลวมหรือใส่เครื่องประดับ รวบผม ชายเสื้อ และถุงมือให้ห่างจากชิ้นส่วนที่กำลังหมุน เสื้อผ้าที่หลวม หลวม เครื่องประดับหรือผมที่ยาวอาจเข้าไปพันกับชิ้นส่วนที่กำลังหมุน
- ช) หากมีอุปกรณ์สำหรับเก็บฝุ่นและรวบรวมเศษไม้ ต้องเชื่อมต่ออุปกรณ์เหล่านั้นและนำมาใช้งานอย่างเหมาะสม การใช้อุปกรณ์เก็บฝุ่นจะช่วยลดอันตรายที่เกี่ยวข้องกับฝุ่นได้

การใช้และการดูแลรักษาเครื่องมือไฟฟ้า

- ก) ห้ามฝืนใช้เครื่องมือไฟฟ้า เลือกใช้เครื่องมือไฟฟ้าที่ถูกต้องตรงกับลักษณะการใช้งานของคุณ เครื่องมือไฟฟ้าที่ถูกต้องยอมทำงานได้ดีและปลอดภัยกว่าในอัตราที่เครื่องมือได้รับการออกแบบมา
- ข) ห้ามใช้เครื่องมือไฟฟ้าถ้าสวิตช์เปิดปิดเครื่องไม่ทำงาน เครื่องมือไฟฟ้าที่ไม่สามารถควบคุมผ่านสวิตช์ได้ มีอันตรายและต้องส่งซ่อม
- ค) ถอดปลั๊กของเครื่องมือไฟฟ้าออกจากแหล่งจ่ายไฟ และ/หรือ แบตเตอรี่ ก่อนทำการปรับแต่ง เปลี่ยนอุปกรณ์เสริม หรือจัดเก็บ มาตรการเพื่อความปลอดภัยเชิงการป้องกันนี้จะช่วยลดความเสี่ยงในการเฟลตสารถเครื่องโดยไม่ตั้งใจ
- ง) เก็บเครื่องมือไฟฟ้าที่พร้อมใช้งานไว้ในที่พ้นมือเด็ก และไม่อนุญาตให้บุคคลที่ไม่คุ้นเคยกับเครื่องมือไฟฟ้าหรือคำแนะนำเหล่านี้เป็นผู้ใช้เครื่องมือ เครื่องมือไฟฟ้าจะเป็นอันตรายหากอยู่ในมือผู้ใช้ที่ไม่มีความชำนาญ
- จ) บำรุงรักษาเครื่องมือไฟฟ้า ตรวจสอบการวางตำแหน่งหรือการต่อชิ้นส่วนที่เคลื่อนที่ อาจเชื่อมต่อชิ้นส่วนและสภาพอื่น ๆ ที่อาจส่งผลการทำงานของเครื่องมือไฟฟ้า หากชำรุดเสียหาย ให้ส่งซ่อมก่อนนำมาใช้ อุบัติเหตุมากมายเกิดจากเครื่องมือไฟฟ้าที่มีระบบการดูแลรักษาไม่ดีพอ
- ฉ) เครื่องมือตัดต้องคมและสะอาดอยู่เสมอ เครื่องมือตัดที่ผ่านการดูแลรักษาที่เหมาะสมและมีขอบสำหรับงานตัดที่คม จะไม่คอยกัปัญหาและควบคุมได้ง่าย
- ช) ใช้เครื่องมือไฟฟ้า อุปกรณ์เสริมและชุดอุปกรณ์ต่าง ๆ ให้สอดคล้องกันค่านำและนำเหล่านี้ โดยพิจารณาถึงสภาพการทำงานและงานที่ทำเป็นสำคัญ ใช้เครื่องมือไฟฟ้าทำงานอื่นนอกเหนือจากที่กำหนดไว้อาจทำให้เกิดอันตรายได้

5) การบริการ

- ก) ในช่างซ่อมที่มีความเชี่ยวชาญเป็นผู้ซ่อมเครื่องมือ และไขอะไหล่ที่แท้เท่านั้น ซึ่งจะช่วยให้ประกันว่าเครื่องมือไฟฟ้ายังคงมีความปลอดภัยอยู่

กฎเกณฑ์ด้านความปลอดภัยเฉพาะเพิ่มเติมสำหรับสวนไฟฟ้า

- **ใส่เครื่องป้องกัน**
การสัมผัสกับเสียงสามารถทำให้หูหนวกได้
- **ใช้ตัวช่วยมือถือที่ใหม่กับเครื่องมือ**
การควบคุมไม่ได้
สามารถก่อให้เกิดการบาดเจ็บต่อบุคคลได้
- **จับเครื่องมือไฟฟ้าที่พื้นผิวส่วนที่จับ**
ซึ่งมีฉนวนป้องกันเท่านั้น เมื่อใช้งานเครื่องและอุปกรณ์เสริมที่ใช้กับงานตัดอาจสัมผัสกับสายไฟที่ซ่อนอยู่หรือสายไฟของตัวเครื่องเอง อุปกรณ์เสริมที่ใช้กับงานตัดที่สัมผัสกับสายไฟ "ที่มีไฟฟ้า" อาจทำให้ส่วนของโลหะที่ถูกสัมผัส "มีไฟฟ้า" และช็อตผู้ใช้เครื่องได้
- **ใช้แคลมป์ยึดหรือวิธีอื่นๆ ที่ได้ผลเพื่อยึดและรองชิ้นงานบนแท่นที่มั่นคง** การใช้มีดจับหรือให้ชิ้นงานพังกับส่วตัวจะไม่น่าเชื่อถือและอาจทำให้สูญเสียการควบคุมได้
- **สวมแว่นตานิรภัยหรืออุปกรณ์ป้องกันตาแบบอื่นๆ** การเจาะด้วยสวนไฟฟ้าจะทำให้เศษชิ้นงานปลิวได้ เศษชิ้นงานที่ปลิวไปอาจทำลายดวงตาอย่างถาวร
- **ทั้งดอกสว่านและเครื่องมือจะร้อนในขณะทำงาน** สวมถุงมือเมื่อสัมผัสกับดอกสว่านและเครื่องมือ
- **มือจับต้องแห้ง สะอาด ปราศจากน้ำมันและจาระบี** แนะนำให้ใช้ถุงมือยาง ซึ่งจะช่วยให้ควบคุมเครื่องมือได้ดียิ่งขึ้น

ความเสี่ยงสะสม

แม้จะปฏิบัติตามข้อกำหนดด้านความปลอดภัยที่เกี่ยวข้องและใช้อุปกรณ์นิรภัย แต่ยังไม่สามารถหลีกเลี่ยงความเสี่ยงสะสมบางประเภทได้ ความเสี่ยงเหล่านั้นได้แก่:

- ความบกพร่องในการได้ยินเสียง
- ความเสี่ยงที่จะได้รับบาดเจ็บจากเศษชิ้นงานที่ปลิวว่อน
- ความเสี่ยงที่จะเกิดรอยไหม้เนื่องจากอุปกรณ์เสริมที่ร้อนขึ้นในระหว่างใช้งาน
- ความเสี่ยงที่จะได้รับบาดเจ็บเนื่องจากการใช้งานติดต่อกันเป็นเวลานาน

สัญลักษณ์บนเครื่องมือ

รูปภาพต่อไปนี้จะปรากฏบนเครื่องมือ:



อ่านคู่มือการใช้งานก่อนใช้เครื่อง

ตำแหน่งของรหัสรุ่นที่

รหัสรุ่นที่ ซึ่งรวมถึงปีที่ผลิต จะถูกพิมพ์ไว้ที่พื้นผิวของสวนตัวเครื่อง ตัวอย่างเช่น:

2014XX XX
ปีที่ผลิต

รายการส่วนประกอบสินค้า

ของในกล่องประกอบด้วย:

- สวนไฟฟ้า เครื่อง
- ภูเขาขันตัวจับดอกสว่าน 1 ดอก
- 1 มีดถือข้าง (DWD025)
- 1 การปรับเปลี่ยนความลึกของไม้ (DWD025)
- คู่มือการใช้งาน 1 เล่ม

- ตรวจสอบร่องรอยความเสียหายที่อาจเกิดขึ้นของเครื่องมือ ชิ้นส่วนหรืออุปกรณ์เสริมในระหว่างการขนส่ง
- สละเวลาอ่านและทำความเข้าใจคู่มือเล่มนี้ก่อนการใช้งาน

คำอธิบาย (ภาพ 1)



คำเตือน: ห้ามดัดแปลงเครื่องมือไฟฟ้าหรือส่วนประกอบต่างๆ เพราะอาจทำให้เครื่องมือชำรุดหรือได้รับบาดเจ็บได้

๑. สวิทช์ปรับความเร็ว
๒. ปุ่มล็อค
๓. กานปรับเดินหน้า/ถอยหลัง
๔. เลือกโหมด
๕. ช่องระบายอากาศ
๖. มีดถือข้าง
๗. แท่งปรับความลึก
๘. ตัวจับดอกสว่าน
๙. ปลอกหุ้มจับ
๑๐. จ้าป้าขันหัวสว่าน

วัตถุประสงค์ในการใช้งาน

สวนไฟฟ้า V.S.R. สำหรับงานหนักออกแบบมาเพื่องานเจาะแบบมีอากาศพ่นห้ามใช้หากอยู่ในบริเวณที่เปียกชื้น หรือมีของเหลวไวไฟหรือแก๊สอยู่ในบริเวณดังกล่าว สวนไฟฟ้าสำหรับงานหนักเป็นเครื่องมือไฟฟ้าสำหรับมืออาชีพ ห้ามสัมผัสกับเครื่องมือไฟฟ้า ต้องคอยสอดส่องดูแลเมื่อผู้ใช้เครื่องมือไม่มีประสบการณ์มาก่อน

ความปลอดภัยทางไฟฟ้า

มอเตอร์ไฟฟ้าออกแบบมาเพื่อใช้กับแรงดันไฟฟ้าขนาดเดียวกัน ห้ามตรวจสอบกำลังไฟเพื่อให้ตรงกับแรงดันไฟฟ้าบนแผ่นแสดงพิกัด



เครื่องมือไฟฟ้า DEWALT ใช้ระบบฉนวนสองชั้นสอดคล้องกับ EN 60745 จึงไม่จำเป็นต้องใช้สายดิน

ถ้าสายไฟของตัวเครื่องชำรุดเสียหาย ต้องเปลี่ยนเป็นสายไฟที่จัดเตรียมมาเป็นพิเศษซึ่งสั่งซื้อได้จากศูนย์บริการของ DeWALT



คำเตือน: ห้ามใช้กระแสไฟ
ห้ามต่อสวิตช์ที่มีไฟฟ้า (L) หรือสวิตช์ไฟกลาง (N)
เข้ากับสวิตช์การวัดที่ปรากฏเป็นตัว E หรือ \perp

การใช้สายพ่วง

ไม่ควรใช้สายพ่วงเว้นแต่จำเป็นจริงๆ ใช้สายพ่วงที่ผ่านการรับรองและเหมาะสมกับกำลังไฟเข้าของเครื่องขารจ (ดูข้อมูลทางด้านเทคนิค) ขนาดต่ำสุดของลีดนำไฟฟ้าคือ 1 ดร.มม. ความยาวสูงสุดคือ 30 ม. นอกจากนี้ ให้อ้างอิงตารางด้านล่าง

ขนาดของลีดนำไฟฟ้า (ดร.มม.)	พิกัดของสายไฟ (แอมแปร์)
0.75	6
1.00	10
1.50	15
2.50	20
4.00	25

ความยาวของสายไฟ (ม.)		7.5	15	25	30	45	60
แรงดันไฟฟ้า	แอมแปร์	พิกัดของสายไฟ (แอมแปร์)					
	220-240	0-2.0	6	6	6	6	6
	2.1-3.4	6	6	6	6	6	6
	3.5-5.0	6	6	6	6	10	15
	5.1-7.0	10	10	10	10	15	15
	7.1-12.0	15	15	15	15	20	20
	12.1-20.0	20	20	20	20	25	-
115	0-2.0	6	6	6	6	6	10
	2.1-3.4	6	6	6	6	15	15
	3.5-5.0	6	6	10	15	20	20
	5.1-7.0	10	10	15	20	20	25
	7.1-12.0	15	15	20	25	25	-
	12.1-20.0	20	20	25	-	-	-

เมื่อใช้ชุดอุปกรณ์จัดเก็บสายไฟ ให้คลายสายไฟออกจนหมดก่อน

อุปกรณ์เสริมและการปรับ

เลือกโหมดทำงาน (ภาพที่ 2)

เครื่องมือสามารถใช้ได้ 2 โหมดงาน:



การเจาะหมุน:
สำหรับเหล็ก ไม้ และพลาสติก



การเจาะแบบกระแทก:
เจาะแบบหมุนและกระแทกไปพร้อมกันสำหรับการปฏิบัติงานเจาะคอนกรีตและอิฐ

- เลือกโหมดการทำงานที่ต้องการโดยการหมุนตัวเลือกโหมด (4) ไปยังตำแหน่งที่ต้องการ

ตัวจับดอกสว่าน

- คลายหัวจับดอกสว่านโดยการหมุนปลอกหัวจับ (9) ตามเข็มนาฬิกา และเสียบก้านสว่านเข้าไป
- ใส่ลำนำขึ้นหัวสว่าน (10) เข้าไปในแต่ละรูที่อยู่ด้านข้างของตัวจับดอกสว่านและหมุนทวนเข็มนาฬิกาจนแน่น
- การถอดดอกสว่าน ให้ปฏิบัติตามขั้นตอนกลับกัน

การติดตั้งมือถือข้าง (ภาพที่ 1)

สามารถติดตั้งมือถือข้าง (6) ให้เหมาะสำหรับผู้ใช้ที่ถนัดขวาหรือถนัดซ้าย



ให้ใช้ส่วนที่ติดตั้งมือถือข้างอย่างถูกต้องอยู่เสมอ

- การถอดมือถือข้าง
- สำหรับผู้ใช้ที่ถนัดขวา เลื่อนตัวหนีบมือถือข้างให้ข้ามปลอกหัวจับที่อยู่หลังหัวจับดอกสว่าน และจับทางซ้าย
- สำหรับผู้ใช้ที่ถนัดซ้าย เลื่อนตัวหนีบมือถือข้างให้ข้ามปลอกหัวจับที่อยู่หลังหัวจับดอกสว่าน และจับทางขวา
- หมุนมือถือข้างไปยังตำแหน่งที่ต้องการ และติดตั้งให้แน่น

ตั้งค่าความลึกการเจาะ (ภาพที่ 3)

- เสียบดอกสว่านเจาะที่ต้องการเข้าไปในหัวจับดอกสว่าน
- คลาดมือถือข้าง (6)
- ติดตั้งในทงปรับความลึก (7) ให้ผ่านรูที่ตัวหนีบมือถือ
- ปรับความลึกการเจาะตามที่แสดง
- ปรับมือถือข้างให้แน่น

การเจาะแบบกระแทก (ภาพที่ 1)

- เลือกโหมดการเจาะแบบกระแทก
- กดสวิตช์ (1)

การเจาะแบบหมุน (ภาพที่ 1)

- เลือกโหมดการเจาะแบบหมุน
- ดำเนินการตามขั้นตอนที่อธิบายสำหรับการเจาะแบบกระแทก

ปรึกษาตัวแทนจำหน่ายของท่านสำหรับข้อมูลเพิ่มเติมเกี่ยวกับอุปกรณ์เสริมที่เหมาะสม

การประกอบและการปรับแต่ง



คำเตือน: ลดความเสี่ยงจากการบาดเจ็บได้ด้วยการปิดเครื่องมือและถอดปลั๊กเครื่องมือออกจากแหล่งจ่ายไฟก่อนประกอบและถอดอุปกรณ์เสริม ปรับแต่งหรือเปลี่ยนการตั้งค่าหรือเมื่อทำการซ่อมแซม สวิตช์ปรับระดับความเร็วต้องอยู่ในตำแหน่งปิด การผลอเปิดเครื่องมือไม่ได้ตั้งใจอาจทำให้ได้รับบาดเจ็บ

การใช้เครื่อง วิธีการใช้เครื่อง



คำเตือน: ทำตามคำแนะนำด้านความปลอดภัยและข้อกำหนดที่ให้เสมอ

สวิตช์ (ภาพ 1)

กดสวิตช์ปรับระดับความเร็วเพื่อใช้สว่าน และคลาย สวิตช์เพื่อหยุดสว่าน

สวิตช์ปรับระดับความเร็ว (1) ทำหน้าที่ควบคุมความเร็ว—กดลงไปมากเท่าไร ความเร็วในการเจาะก็จะสูงขึ้นเท่านั้น

เพื่อการใช้งานอย่างต่อเนื่อง ให้กดสวิตช์ปรับระดับความเร็วค้างไว้ กดปุ่มล็อก (2) ขึ้นและคลายสวิตช์ **หมายเหตุ:** ตอนเจาะโลหะหรือพลาสติก หรือเซรามิก เริ่มเจาะรูที่ไม่จำเป็นเป็นจุดกลางด้วยความเร็วต่ำ ถ้าเจาะไม่กระดานประกอบ ใช้ความเร็วสูงดีกว่า และใช้อุปกรณ์ที่ปรับปรุ้งได้ทันสมัยและบิด ดานจับเดินหนัก/ถอยหลัง (3) ใช้ในการอัดหัวเจาะจากรูที่ค้ำบน มันตั้งบนสวิตช์ควบคุม ถัดจากถอยหลังมอเตอร์ ปลอยสวิตช์ควบคุมก่อน แล้วค่อยผลักดานจับไปทางขวามือ หลังจากการถอยหลังแล้ว ทำใหอดานจับเดินหนักกลับไปตำแหน่งเดิม ใช้งานเครื่องอย่างต่อเนื่องได้ด้วยการกดสวิตช์ขึ้น ๆ ก่อนคลายออก ปิดสวิตช์เครื่องทุกครั้งเมื่อทำงานเสร็จ แล้วและก่อนดึงปลั๊กออก

งานเจาะ



คำเตือน: ลดความเสี่ยงจากการได้รับบาดเจ็บ ได้ด้วยการยึดหรือหนีบชิ้นงานให้แน่นทุก ครั้ง หากเจาะวัสดุที่บาง ให้ใช้บล็อกไม้* รอง เพื่อป้องกันวัสดุเสียหาย

- ใช้ดอกสว่านที่คมเท่านั้น สำหรับไม้ ให้ใช้ดอกสว่านแบบเกลียว ดอกสว่านแบบพลิว ดอกสว่าน หรือ เลื่อยสำหรับเจาะรู สำหรับโลหะให้ใช้ ดอกสว่านแบบเกลียวสำหรับงานเหล็ก หรือเลื่อยสำหรับเจาะรู
- ออกแรงกดตรงๆไปที่ดอกสว่านเสมอ ใช้แรงดันพอสมควรเพื่อให้สว่านทำงาน แต่ต้องไม่ออกแรงมากเกินไปจนมอเตอร์ค้างหรือดอกสว่านบิด
- ถือเครื่องมือด้วยมือทั้งสองข้างเพื่อควบคุมการหมุน เป็นเกลียวของดอกสว่าน
- ถ้าสว่านติดค้าง มักเป็นเพราะใช้งานเกินกำลังหรือ ใช้งานอย่างไม่เหมาะสม **ให้คลายสวิตช์ปรับระดับความเร็วในทันที** นำดอกสว่านออกจากชิ้นงาน และค้นหาสาเหตุที่ทำให้สว่านค้าง ห้ามเปิดและ ปิดสวิตช์ปรับระดับความเร็วเพื่อเปิดเครื่องขณะที่เครื่องยังค้างอยู่ เพราะอาจทำให้สว่านชำรุดเสียหายได้
- ลดปัญหาการค้ำของมอเตอร์หรือการทำให้อึดสุด แดกหักให้เหลือน้อยที่สุด ใ้ดด้วยการลดแรงดันที่ สว่านและคลายดอกสว่านผ่านทางรูของชิ้นงาน
- มอเตอร์ต้องทำงานอยู่ในขณะที่ดึงดอก สว่านออกออกมาจากรูที่เจาะไว้ วิธีนี้จะช่วยป้องกันปัญหาดอกสว่านติดได้
- ไม่จำเป็นต้องหาจุดกึ่งกลางที่จะเจาะเนื่องจาก สว่านมีความเร็วหลายระดับ ให้ความเร็วต่ำก่อนเมื่อ เริ่มเจาะรู และเร่งความเร็วได้ด้วยการกดที่สวิตช์ ปรับระดับความเร็วให้แรงขึ้นเมื่อเจาะรูที่ลึกพอที่จะ เจาะต่อโดยที่ดอกสว่านไม่กระเด็นออกมา

การเจาะโลหะ

เริ่มเจาะโดยใช้ความเร็วต่ำก่อนและเพิ่มเป็นความเร็วสูง สุดขณะที่ออกแรงกดที่เครื่องมือ เศษ โลหะที่ร่วงออกมา อย่างต่อเนื่องแสดงว่าใช้อัตราการเจาะที่เหมาะสม ใช้สาร หล่อลื่นสำหรับงานตัดขุ่นที่เจาะโลหะ ยกเว้นเหล็ก หล่อและทองเหลืองที่ควรเจาะขณะแห้ง **หมายเหตุ:** เจาะรูขนาดใหญ่ [5/16" (8 มม.)] ในแผ่น เหล็กได้ง่ายขึ้นถ้าเจาะรูนำร่อง [5/32" (4 มม.)] ก่อน

การเจาะไม้

เริ่มเจาะโดยใช้ความเร็วต่ำก่อนและเพิ่มเป็นความเร็วสูง สุดขณะที่ออกแรงกดที่เครื่องมือ เจาะรูในงานไม้ได้ด้วยการ ใช้ดอกสว่านแบบเกลียวเช่นเดียวกับที่ใช้กับงาน โลหะ ดอกสว่านเหล่านี้อาจร้อนเกินไปเว้นแต่จะดึงออก บ่อย ๆ เพื่อนำเศษไม้ออกจากร่อง ควรใช้ท่อนไม้รอง งานไม้ที่จะเกิดเสียงไม้

ตัวจับดอกสว่าน (ภาพ 3)

สว่าน DWD025

มีตัวจับดอกสว่าน (9) ปฏิบัติตามขั้น

ตอนด้านล่างเพื่อใส่ดอกสว่านหรืออุปกรณ์เสริมอื่น

- เปิดตัวจับดอกสว่านได้ด้วยการใช้มือหมุน ปลอกออก และสอดก้านดอกสว่านลงไปในตัวจับ ดอกสว่าน มม มีมือขึ้นปลอกตัวจับดอก สว่านให้แน่น
- สอดกุญแจขันตัวจับดอกสว่านลงในแต่ละรูที่มีอยู่ ทั้งหมดสามรูและขันในทิศทางตามเข็มนาฬิกา สิ่งสำคัญคือต้องขันตัวจับดอกสว่านให้แน่นผ่านรู ทั้งสามรู

คลายดอกสว่านได้ด้วยการหมุนตัวจับดอกสว่านทวน เข็มนาฬิกาผ่านรูเพียงหนึ่งรู แล้วจึงคลายตัวจับดอก สว่านด้วยมือ

การถอดตัวจับดอกสว่าน (ภาพ 4)

ขันตัวจับดอกสว่านรอบๆ ปลายด้านสั้นกว่าของกุญแจหกเหลี่ยม ไม่ได้จัดมาให้ ขนาด มม หรือใหญ่กว่า ใช้ค้อนหัวอ่อนเคาะที่กุญแจทวนเข็มนาฬิกาเมื่อดูจากด้านหน้าเครื่องมือ เพื่อคลายตัว จับดอกสว่านและใช้มือดึงออกมา

การใส่ตัวจับดอกสว่าน (ภาพ 4)

ใช้มือหมุนตัวจับดอกสว่านเข้าไปให้ได้มากที่สุด สอดปลายด้านสั้นกว่าของกุญแจหกเหลี่ยม (ไม่ได้จัดมาให้) ขนาด 1/4" (6 มม.) หรือใหญ่กว่า ก่อนใช้ค้อนหัวอ่อนเคาะที่กุญแจตามเข็มนาฬิกา

การบำรุงรักษา

เครื่องมือไฟฟ้า DeWALT ออกแบบมาเพื่อให้สามารถ ใช้งานได้ยาวนานต่อเนื่องด้วยการบำรุงรักษา น้อยที่สุด การทำงานที่สร้างความพึงพอใจอย่างต่อเนื่อง จะขึ้นอยู่กับการดูแลรักษาที่เหมาะสมและการทำความสะอาดอย่างสม่ำเสมอ



คำเตือน: ลดความเสี่ยงจากการบาดเจ็บได้ด้วยการปิดเครื่องมือและถอดปลั๊กเครื่องมือออกจากแหล่งจ่ายไฟก่อนประกอบและถอดอุปกรณ์เสริม ปรับแต่งหรือเปลี่ยนการตั้งค่าหรือเมื่อทำการซ่อมแซม สวิตช์ปรับระดับความเร็วต้องอยู่ในตำแหน่งปิด การปลดเบ็ดเครื่องโดยไม่ได้ตั้งใจอาจทำให้ได้รับบาดเจ็บ

แปรงถ่านมอเตอร์

DEWALT ใช้ระบบถ่านแปรงถ่านขั้นสูงที่จะหยุดสว่านโดยอัตโนมัติเมื่อถ่านหมด ซึ่งจะป้องกันไม่ให้เกิดการชำรุดเสียหายร้ายแรงกับมอเตอร์ เลือกซื้อชุดประกอบถ่านเก็บไฟใหม่ได้จากศูนย์บริการรับอนุญาตของ DEWALT ใช้อะไหล่ที่เหมือนกันทุกครั้ง



การหล่อลื่น

ไม่ต้องใช้สารหล่อลื่นเพิ่มเติมกับเครื่องมือไฟฟ้านี้



การทำความสะอาด



คำเตือน: เป่าสิ่งสกปรกและฝุ่นละอองที่สะสมออกจากตัวเครื่องเป็นประจำด้วยลมแห้ง เนื่องจากสิ่งสกปรกมักสะสมอยู่ภายในและรอบ ๆ ช่องระบายอากาศ สวมอุปกรณ์ป้องกันตาและหน้ากากกันฝุ่นที่ได้มาตรฐานเมื่อทำตามขั้นตอนนี้



คำเตือน: ห้ามใช้สารละลายไฮลวันท์หรือสารเคมีที่มีฤทธิ์กัดกร่อนรุนแรงอื่น ๆ ทำความสะอาดชิ้นส่วนที่ไม่ใช่โลหะของเครื่องมือ สารเคมีเหล่านี้อาจส่งผลกระทบต่อวัสดุที่ใช้ในชิ้นส่วนเหล่านี้ ใช้เฉพาะผ้าชุบน้ำสบู่อ่างอ่อนเท่านั้น อย่าให้มีของเหลวค้างอยู่ในเครื่อง ห้ามจุ่มส่วนใด ๆ ของเครื่องมือลงในของเหลว

อุปกรณ์เสริม

ติดต่อตัวแทนจำหน่ายหากต้องการข้อมูลเพิ่มเติมเกี่ยวกับอุปกรณ์เสริมที่เหมาะสม



ข้อควรระวัง: ลดความเสี่ยงจากการได้รับบาดเจ็บได้ด้วยการใช้อุปกรณ์ต่อไปนี้อย่างถูกต้องตามที่ปรากฏอยู่ในตารางด้านล่าง

ความสามารถสูงสุดที่แนะนำ (DWD025)

ความสามารถในการเจาะ	10 มม.
ดอกสว่าน, การเจาะโลหะ	10 มม.
หัวเจาะ เครื่องอุปกรณเจาะ	13 มม.
ไม้, แผ่นเรียบ	25.4 มม.
เลือกสำหรับเจาะรู	28.4 มม.

ความสามารถสูงสุดที่แนะนำ (DWD025)

ความสามารถในการเจาะ	13 มม.
ดอกสว่าน, การเจาะโลหะ	13 มม.
หัวเจาะ เครื่องอุปกรณเจาะ	16 มม.
ไม้, แผ่นเรียบ	25 มม.
เลือกสำหรับเจาะรู	30 มม.

BOR LISTRIK PUTARAN DUA ARAH DENGAN KECEPATAN DAPAT DISETEL DWD025

Selamat!

Anda telah memilih Perkakas DeWALT. Pengalaman selama bertahun-tahun, pengembangan dan inovasi produk yang menyeluruh, menjadikan DeWALT sebagai salah satu mitra yang paling dapat diandalkan bagi para pengguna Perkakas Listrik profesional.

Data teknis

		DWD025-B1/XD
Voltase	V	220-240
Masukan daya	W	750
Kecepatan tanpa beban	min ⁻¹	0-2,800
Tiada tumbukan beban	min ⁻¹	0-47,600
Jangkauan pengeboran maksimum baja/kayu	mm	16/13/25
Spindel cekaman ukuran ulir	UNF	1/2"x20
Kapasitas cekaman maksimum	mm	13
Berat	kg	1.6

Sekring:

Perkakas 220-240 V	10 Amper, listrik
Perkakas 110V	13 Amper, listrik

Definisi: Pedoman Keselamatan Kerja

Definisi di bawah ini menjelaskan tingkat peringatan untuk setiap kata sinyal. Harap baca manual ini dan perhatikan simbol-simbol ini.



BAHAYA: Mengindikasikan situasi yang berpotensi bahaya di depan mata yang, jika tidak dihindari, akan mengakibatkan kematian atau cedera parah.



PERINGATAN: Mengindikasikan situasi yang berpotensi bahaya yang, jika tidak dihindari, dapat mengakibatkan kematian atau cedera parah.



PERHATIAN: Mengindikasikan situasi yang berpotensi bahaya yang, jika tidak dihindari, mungkin mengakibatkan cedera ringan atau cedera sedang.

PERHATIAN: Digunakan tanpa simbol peringatan keselamatan kerja mengindikasikan situasi yang berpotensi bahaya yang, jika tidak dihindari, mungkin mengakibatkan kerusakan harta benda.



Menandakan risiko sengatan listrik.



Menandakan risiko kebakaran.



PERINGATAN: Untuk mengurangi risiko cedera, baca petunjuk manual ini.

Peringatan Keselamatan Perkakas Listrik Umum



Peringatan! Bacalah semua peringatan keselamatan dan petunjuk. Tidak mematuhi peringatan dan petunjuk bisa mengakibatkan sengatan listrik, kebakaran, dan/atau cedera parah.

SIMPANLAH SEMUA BUKU PERINGATAN DAN PETUNJUK UNTUK REFERENSI DI KEMUDIAN HARI.

Istilah "perkakas listrik" dalam peringatan tersebut mengacu pada perkakas listrik yang dioperasikan dengan listrik (berkabel) atau perkakas listrik yang dioperasikan dengan baterai (nirkabel).

1) KESELAMATAN AREA KERJA

- Jaga kebersihan dan penerangan yang memadai di area kerja.** Area yang berantakan atau gelap dapat menyebabkan kecelakaan.
- Jangan mengoperasikan perkakas listrik ini di lingkungan yang mudah menimbulkan bahaya ledakan, seperti di tempat yang terdapat cairan mudah terbakar, gas atau debu.** Perkakas listrik ini menimbulkan percikan api yang dapat menyulut debu atau uap.
- Jauhkan anak-anak dan orang yang berada di sekitar sewaktu mengoperasikan perkakas listrik.** Gangguan dapat menyebabkan Anda kehilangan kendali.

2) KESELAMATAN KERJA KELISTRIKAN

- a) **Steker perkakas listrik harus sesuai dengan soketnya. Jangan sekali-kali memodifikasi steker dengan cara apapun. Jangan gunakan steker adaptor apapun dengan perkakas listrik yang dibumikan (grounded).** Steker yang tidak dimodifikasi dan stopkontak yang sesuai akan mengurangi risiko sengatan listrik.
- b) **Hindari kontak badan dengan permukaan yang dibumikan (grounded), seperti pipa, radiator, kompor dan kulkas.** Risiko sengatan listrik dapat bertambah jika tubuh Anda mengenai permukaan yang dibumikan (grounded).
- c) **Jangan sampai perkakas listrik ini terkena hujan atau terpapar ke kondisi yang basah.** Air yang masuk ke perkakas listrik akan meningkatkan risiko sengatan listrik.
- d) **Jangan menyalahgunakan kabel. Jangan sekali-kali menggunakan kabel untuk membawa, menarik atau mencabut perkakas listrik. Jauhkan kabel dari panas, minyak, tepi tajam atau komponen yang bergerak.** Kabel rusak atau terbelit meningkatkan risiko sengatan listrik.
- e) **Bila mengoperasikan perkakas listrik di luar ruangan, gunakan kabel ekstensi yang sesuai untuk penggunaan di luar ruangan.** Menggunakan kabel yang sesuai untuk penggunaan di luar ruangan akan mengurangi risiko sengatan listrik.
- f) **Apabila Anda terpaksa mengoperasikan perkakas listrik di tempat yang lembap, gunakan suplai arus (listrik) terlindung/terisolasi piranti imbasan arus (residual current device -RCD).** Penggunaan RCD mengurangi risiko sengatan listrik.

3) KESELAMATAN DIRI

- a) **Tetaplah waspada, perhatikan apa yang sedang Anda kerjakan, dan gunakan logika sewaktu mengoperasikan perkakas listrik.** Jangan menggunakan perkakas bila Anda sedang lelah, atau berada di bawah pengaruh obat, alkohol, atau pengobatan. Kelengahan sesaat saja ketika mengoperasikan perkakas listrik dapat menyebabkan cedera diri yang parah.
- b) **Gunakan peralatan pelindung diri. Selalu kenakan alat pelindung mata.** Perlengkapan pelindung, seperti masker debu, sepatu keselamatan anti selip, topi pengaman (hardhat, atau alat pelindung pendengaran yang digunakan dalam kondisi yang sesuai akan mengurangi cedera diri.
- c) **Cegah menjalankan perkakas secara tak sengaja.** Pastikan sakelar berada pada posisi off (mati) sebelum menyambungkan ke sumber daya dan/atau kemasan baterai, mengangkat atau menjinjing perkakas. Menjinjing perkakas listrik dengan jari berada

pada sakelar atau memberi daya pada perangkat listrik dengan sakelar pada posisi on (hidup) dapat menyebabkan kecelakaan.

- d) **Lepaskan semua kunci setelan atau kunci pas sebelum menghidupkan perkakas listrik.** Kunci pas atau kunci yang dibiarkan terpasang pada komponen perkakas listrik yang berputar dapat menyebabkan cedera diri.
- e) **Jangan melampaui batas. Selalu jaga pijakan dan keseimbangan yang baik.** Hal ini memungkinkan Anda untuk mengendalikan perkakas listrik dengan lebih baik dalam situasi yang tidak terduga.
- f) **Kenakan pakaian yang sesuai. Jangan mengenakan pakaian longgar atau perhiasan. Jauhkan rambut, pakaian dan sarung tangan dari komponen yang bergerak.** Pakaian yang longgar, perhiasan atau rambut panjang dapat terperangkap dalam komponen yang bergerak.
- g) **Jika disediakan perangkat untuk sambungan fasilitas pengeluaran dan pengumpulan debu, pastikan perangkat ini dihubungkan dan digunakan dengan sesuai.** Penggunaan pengumpul debu dapat mengurangi bahaya terkait debu.

4) PENGGUNAAN DAN PEMELIHARAAN PERKAKAS LISTRIK

- a) **Jangan menggunakan perkakas listrik dengan paksa. Gunakan perkakas listrik yang benar untuk aplikasi Anda.** Perkakas listrik yang tepat akan bekerja lebih baik dan aman pada tingkat kelajuan yang telah dirancang untuk perkakas itu.
- b) **Jangan gunakan perkakas listrik ini jika tombol tidak dapat menghidupkan dan mematikan perkakas.** Perkakas listrik apa pun yang tidak dapat dikendalikan dengan tombol adalah berbahaya dan harus diperbaiki.
- c) **Cabut steker dari sumber listrik dan/atau kemasan baterai dari perkakas listrik sebelum melakukan penyetulan apa pun, mengganti aksesori, atau menyimpan perkakas listrik.** Tindakan pencegahan demi keselamatan tersebut mengurangi risiko menjalankan perkakas listrik secara tak sengaja.
- d) **Simpan perkakas listrik yang tidak digunakan di tempat yang tidak terjangkau oleh anak kecil, dan jangan mengizinkan orang yang tidak memahami perkakas listrik atau petunjuk ini untuk mengoperasikannya.** Perkakas listrik bisa berbahaya bila digunakan oleh pengguna yang tidak terlatih.
- e) **Rawat perkakas listrik. Lakukan pemeriksaan untuk mengetahui apakah ada komponen bergerak yang tidak sejajar atau bengkok, komponen yang patah, dan kondisi lainnya yang dapat mempengaruhi pengoperasian**

perkakas listrik. Jika rusak, perbaiki dahulu perkakas listrik sebelum digunakan. Banyak terjadi kecelakaan yang disebabkan oleh perkakas listrik yang tidak terawat baik.

- f) **Jaga agar alat pemotong tetap tajam dan bersih.** Alat potong yang terawat baik dengan tepi pemotongan yang tajam akan lebih mudah dikendalikan dan kecil kemungkinannya untuk terjepit.
- g) **Gunakan perkakas listrik, aksesoris dan komponen perkakas, dsb. sesuai dengan petunjuk ini dengan mempertimbangkan kondisi pengerjaan dan pekerjaan yang akan dilaksanakan.** Menggunakan perkakas listrik untuk pengoperasian yang berbeda dengan yang dimaksudkan akan mengakibatkan situasi yang membahayakan.

5) SERVIS

- a) **Perkakas listrik harus diservis oleh teknisi yang mahir dan hanya menggunakan komponen pengganti yang persis sama.** Ini akan menjamin keselamatan perkakas listrik terpelihara.

Peraturan Keselamatan Khusus Tambahan untuk Bor

- **Pakailah pelindung telinga.** Terpapar kebisingan dapat mengakibatkan kehilangan pendengaran.
- **Gunakanlah gagang tambahan yang dipasok bersama dengan perkakasnya.** Kehilangan kontrol dapat mengakibatkan kecederaan diri sendiri.
- **Pegang perkakas listrik hanya pada permukaan pegangan yang berisolasi sewaktu menggunakannya pada bagian aksesoris pemotong yang dapat mengenai kabel tersembunyi, atau kabel perkakas itu sendiri.** Aksesoris pemotong yang mengenai kawat "arus listrik" bisa mengakibatkan bagian logam perkakas listrik yang tidak terlindungi "teraliri arus listrik" dan operator tersengat listrik.
- **Gunakan klem atau cara praktis lainnya untuk mengunci dan menopang benda yang sedang dikerjakan pada platform.** Memegang benda yang sedang dikerjakan dengan tangan atau menyandarkannya pada badan Anda tidak akan stabil, dan bisa menyebabkan kehilangan kendali.
- **Kenakan kacamata keselamatan kerja atau pelindung mata lainnya.** Operasi pengeboran menyebabkan serpihan beterbangan. Partikel yang beterbangan dapat menyebabkan kerusakan mata permanen.

- **Mata bor dan perkakas menjadi panas selama pengoperasian.** Kenakan sarung tangan saat menyentuh mata bor dan perkakas.
- **Jaga agar pegangan selalu kering, bersih, bebas dari minyak dan gemuk.** Dianjurkan untuk menggunakan sarung tangan karet. Dengan demikian, pengendalian perkakas akan lebih baik.

Risiko Lainnya

Meskipun peraturan keselamatan yang relevan telah diterapkan dan peralatan keselamatan kerja telah dipakai, namun ada risiko tertentu lainnya yang tidak dapat dihindarkan. Risiko ini adalah:

- *Melemahnya pendengaran*
- *Risiko cedera diri karena partikel yang beterbangan*
- *Risiko terbakar karena aksesoris menjadi panas selama pengoperasian.*
- *Risiko cedera diri karena penggunaan yang lama.*

Penandaan pada perkakas

Berikut ini adalah pictogram yang terdapat pada perkakas:



Baca petunjuk manual sebelum menggunakan.

POSISI KODE TANGGAL

Kode Tanggal, yang juga termasuk tahun pembuatan, tercetak pada permukaan rumah. Contoh:

2014 XX XX
Tahun Pembuatan

Isi paket

Paket ini berisi:

- 1 Bor
- 1 Kunci cekaman mata bor
- 1 Pegangan samping (DWD025)
- 1 Batang penyetel kedalaman (DWD025)
- 1 petunjuk manual

- *Periksa untuk mengetahui apakah ada kerusakan pada perkakas, komponen atau aksesoris yang mungkin terjadi saat pengangkutan.*
- *Luangkan waktu untuk membaca dan memahami panduan ini selengkapnya sebelum mengoperasikan perkakas.*

Deskripsi (gbr. 1)



PERINGATAN: Jangan sekali-kali memodifikasi perkakas listrik atau bagian manapun. Hal ini dapat menyebabkan kerusakan atau cedera diri.

1. Sakelar kecepatan variabel
2. Tombol pengunci sakelar
3. Tuas pembalik arah putaran bor
4. Pemilih mode
5. Slot ventilasi
6. Pegangan samping
7. Tangkai penyesuaian kedalaman
8. Cekaman mata bor
9. Lengan
10. Kunci cekaman

TUJUAN PENGGUNAAN

Bor listrik putaran dua arah dengan kecepatan bisa disetel yang kuat ini didesain untuk pengeboran profesional.

JANGAN digunakan dalam kondisi basah atau di tempat yang terdapat cairan mudah terbakar atau gas.

Bor yang kuat ini adalah perkakas listrik profesional.

JANGAN biarkan anak-anak memegang perkakas ini. Diperlukan pengawasan apabila operator yang tidak berpengalaman menggunakan perkakas ini.

Keselamatan Kerja Kelistrikan

Motor listrik telah dirancang untuk satu voltase saja. Selalu periksa apakah catu daya sesuai dengan tegangan yang tercantum pada papan tarif (rating plate).



Perkakas DEWALT Anda berisolasi ganda sesuai dengan EN 60745; oleh karena itu tidak perlu kabel arde (ground).

Jika kabel catu daya rusak, maka kabel itu harus diganti dengan kabel yang disiapkan secara khusus yang dapat diperoleh melalui perusahaan layanan DEWALT.



PERINGATAN: **JANGAN** sekali-kali menggunakan soket lampu.

JANGAN sekali-kali menghubungkan kawat positif (L) atau Netral (N) ke pin arde yang ditandai dengan huruf E atau \perp

Menggunakan Kabel Ekstensi

Sebaiknya jangan menggunakan kabel ekstensi kecuali jika benar-benar perlu. Gunakan kabel ekstensi yang disetujui yang cocok untuk

masukannya daya pengisi daya Anda (lihat data teknis). Ukuran konduktor minimum adalah 1 mm², panjang maksimum adalah 30 m. Lihat juga tabel di bawah ini.

Ukuran konduktor (mm ²)		Kekuatan kabel (Amper)					
5 7 . 0		6					
0 0 . 1		0 1					
0 5 . 1		5 1					
0 5 . 2		0 2					
0 0 . 4		5 2					
Panjang kabel (m)							
		7.5	15	25	30	45	60
Voltase	Amper	Kekuatan kabel (Amper)					
220-240	0-2.0	6	6	6	6	6	6
	2.1-3.4	6	6	6	6	6	6
	3.5-5.0	6	6	6	6	10	15
	5.1-7.0	10	10	10	10	15	15
	7.1-12.0	15	15	15	15	20	20
	12.1-20.0	20	20	20	20	25	-
110	0-2.0	6	6	6	6	6	10
	2.1-3.4	6	6	6	6	15	15
	3.5-5.0	6	6	10	15	20	20
	5.1-7.0	10	10	15	20	20	25
	7.1-12.0	15	15	20	25	25	-
	12.1-20.0	20	20	25	-	-	-

Apabila menggunakan gulungan kabel, lepas gulungan kabel seluruhnya.

PERAKITAN DAN PENYETELAN

Memilih mode operasi (gbr. 2)

Alat ini dapat digunakan dalam dua mode operasi:



Pengeboran putar:
untuk baja, kayu dan plastik.



Pengeboran tumbuk:
memutar secara serempak dan berdampak operasi pengeboran beton dan tembok.

- Pilih mode operasi yang diperlukan secara memutar pemilih mode (4) ke posisi yang diperlukan.

Cekaman mata bor

- Buka kunci cekaman mata bor dengan memutar lengan (9) berlawanan dengan arah jarum jam dan masukkan tangkai mata bor.
- Letakkan kunci cekaman mata bor ke dalam lubang cekaman mata bor (10) dan kencangkan searah jarum jam.
- Untuk melepaskan mata bor, melanjutkan dalam urutan mundur.

Menyesuaikan pegangan samping (gbr. 1)

Pegangan samping (6) dapat disesuaikan agar sesuai dengan pengguna RH dan LH.



Selalu menggunakan bor dengan pegangan samping dipasang secara benar.

- Mengendurkan pegangan samping.
- Untuk pengguna RH, mendorong klem pegangan di atas kelepak di belakang tangkai mata bor yang di sebelah kiri.
- Untuk pengguna RH, mendorong pegangan samping dan menjepit Kelepak di belakang tangkai mata bor yang di sebelah kanan.
- Memutar pegangan samping ke posisi yang diperlukan dan kencangkan pegangan.

Menetapkan kedalaman pengeboran (gbr. 3)

- Masukkan bor yang diperlukan ke dalam mata bor.
- Mengendur pegangan samping (6).
- Sesuaikan tangkai penyesuaian kedalaman (7) melalui lubang di sebelah klem pegangan.
- Sesuaikan kedalaman pengeboran seperti ditunjukkan.
- Kencangkan pegangan samping.

Pengeboran tumbuk (gbr. 1)

- Pilih mode tumbuk.
- Tekan tombol (1).

Pengeboran putar (gbr. 1)

- Pilih mode pengeboran putar.
- Lanjutkan seperti yang ditunjukkan dengan pengeboran putaran.

Konsultasikan penyalur untuk informasi lebih lanjut tentang aksesoris yang sesuai.



PERINGATAN: Untuk mengurangi risiko cedera, matikan unit ini dan cabut perkakas dari sumber daya sebelum memasang dan melepas aksesoris, sebelum menyatel atau mengubah pengaturan atau ketika melakukan perbaikan. Pastikan sakelar pemicu dalam posisi OFF. Menjalankan perkakas secara tidak sengaja dapat menyebabkan cedera.

PENGOPERASIAN

Petunjuk Penggunaan



PERINGATAN: Selalu patuhi petunjuk keselamatan kerja dan peraturan yang berlaku.

Sakelar (gbr. 1)

Untuk memulai pengeboran, tekan sakelar pemicu; untuk menghentikan pengeboran, lepaskan pemicu.

Dengan sakelar pemicu kecepatan yang bisa disetel (1), kecepatan bisa dikendalikan, semakin jauh pemicu ditekan, semakin tinggi kecepatan pengeboran.

Untuk pengoperasian yang terus menerus, tekan dan tahan sakelar kecepatan yang bisa disetel, tekan tombol pengunci sakelar (2), lalu lepaskan sakelar.

CATATAN: Gunakan kecepatan yang lebih rendah untuk lubang awal tanpa penitik pusat, mengebor logam atau plastik, atau mengebor bahan keramik. Kecepatan tinggi lebih cocok digunakan untuk mengebor kayu dan papan majemuk, serta menggunakan ampelas dan aksesoris pengasah. Tuas maju/mundur (3) digunakan untuk menarik mata bor dari lubang sempit. Untuk membalikkan motor, lepaskan sakelar pemicu **TERLEBIH DAHULU**, lalu tekan tuas itu ke kanan. Setelah pengoperasian pembalikan, kembalikan tuas ke posisi maju.

Untuk menghentikan pengoperasian yang terus menerus, tekan sakelar sebentar dan lepaskan. Selalu matikan perkakas bila pekerjaan telah selesai dan sebelum mencabut dari stopkontak.

Pengeboran



PERINGATAN: Untuk mengurangi risiko cedera diri, SELALU pastikan benda yang sedang dikerjakan dikunci atau diklem dengan erat. Jika mengebor bahan yang tipis, gunakan balok kayu "penahan" untuk mencegah kerusakan pada benda yang sedang dikerjakan.

1. Gunakan mata bor yang tajam saja. Untuk KAYU, gunakan mata bor puntir dengan alur melilit (twist drill bit), mata bor skop (spade bit), mata bor auger mesin (power auger), atau gergaji lubang (hole saw). Untuk LOGAM, gunakan mata bor puntir dengan alur melilit atau gergaji lubang.
2. Selalu beri tekanan searah dengan garis lurus mata bor. Tekan secukupnya untuk menjaga cekaman bor, tetapi jangan terlalu kuat mendorongnya sehingga dapat menghentikan motor atau memblokir mata bor.

3. Pegang perkakas kuat-kuat dengan kedua tangan untuk mengendalikan gerakan perputaran bor.
4. **JIKA BOR MACET**, biasanya hal ini karena bor kelebihan muatan atau tidak digunakan dengan tepat. **SEGERA LEPASKAN PEMICU**, lepaskan mata bor dari benda yang sedang dikerjakan, dan tentukan penyebab kemacetan. **JANGAN MENKLIK PEMICU ON DAN OFF DALAM UPAYA MENJALANKAN BOR YANG MACET — HAL INI DAPAT MERUSAK BOR.**
5. Untuk meminimalkan kemacetan atau menembus bahan hingga patah, longgarkan tekanan pada bor dan kurangi cekaman mata bor yang melintasi bagian kecil terakhir dari lubang itu.
6. Tetap jalankan motor ketika menarik mata bor keluar dari lubang yang telah dibor. Hal ini akan membantu mencegah kemacetan.
7. Dengan bor yang kecepatannya dapat disetel maka tidak perlu membuat titik pusat pada titik yang akan dibor. Gunakan kecepatan rendah untuk memulai lubang dan percepat dengan menekan pemicu lebih keras ketika lubang sudah cukup dalam untuk dibor dan mata bor tidak akan melenceng.

MENGEBOR LOGAM

Mulailah pengeboran dengan kecepatan rendah dan tingkatkan hingga kekuatan penuh sembari memberi tekanan yang kuat pada perkakas. Aliran serpihan logam halus yang merata mengindikasikan tingkat pengeboran yang tepat. Gunakan pelumas pematong ketika mengebor logam. Besi cor dan kuningan merupakan pengecualian yang sebaiknya dibor dalam keadaan kering.

CATATAN: Lubang besar [5/16" (8 mm)] pada baja dapat dibuat dengan lebih mudah jika lubang bor percobaan sebesar [5/32" (4 mm)] dibor terlebih dahulu.

MENGEBOR KAYU

Mulailah pengeboran dengan kecepatan rendah dan tingkatkan hingga kekuatan penuh sembari memberi tekanan yang kuat pada perkakas. Lubang pada kayu dapat dibuat dengan mata bor puntir dengan alur melilit yang sama dengan yang digunakan untuk logam. Mata bor ini mungkin menjadi terlalu panas kecuali jika sering ditarik keluar guna membersihkan serpihan dari galur. Benda yang sedang dikerjakan yang cenderung menyerpih sebaiknya ditahan dengan balok kayu.

DWD025 mengutamakan cekaman mata bor (9). Untuk memasukkan mata bor atau aksesoris lainnya, ikuti langkah-langkah berikut ini.

1. Buka kunci penjepit mata bor (chuck jaws) dengan memutar kelepak dengan tangan dan masukkan tangkai mata bor sekitar 3/4" (19mm) ke dalam cekaman. Kencangkan kelepak cekaman dengan tangan.
2. Letakkan kunci cekaman mata bor dalam tiga lubang yang ada dan kencangkan searah jarum jam. Yang penting dilakukan adalah mengencangkan cekaman dengan ketiga lubangnya.

Untuk melepaskan mata bor, putar cekaman berlawanan arah jarum jam dalam satu lubang saja, kemudian kendurkan cekaman dengan tangan.

PELEPASAN CEKAMAN MATA BOR (GBR. 4)

Kencangkan cekaman di sekeliling ujung kunci L yang lebih pendek (tidak disediakan) yang berukuran 1/4" (6 mm) atau yang lebih besar. Pukul kunci menggunakan palu lunak dengan tepat berlawanan dengan arah jarum jam jika dilihat dari depan perkakas. Ketukan ini akan melonggarkan cekaman hingga cekaman dapat dilepas dengan tangan.

PEMASANGAN CEKAMAN MATA BOR (GBR. 4)

Sekrup cekaman dengan tangan sejauh mungkin. Masukkan ujung kunci L yang lebih pendek (tidak disediakan) yang berukuran 1/4" (6 mm) atau yang lebih besar dan pukul dengan palu lunak berlawanan dengan arah jarum jam.

PERAWATAN

Perkakas listrik DEWALT telah dirancang untuk penggunaan jangka panjang dengan pemeliharaan minimal. Pengoperasian yang memuaskan secara terus-menerus bergantung pada cara pemeliharaan yang layak dan pembersihan perkakas secara teratur.



PERINGATAN: Untuk mengurangi risiko cedera, matikan unit ini dan cabut perkakas dari sumber daya sebelum memasang dan melepas aksesoris, sebelum menyetel atau mengubah pengaturan atau ketika melakukan perbaikan. Pastikan sakelar pemicu dalam posisi OFF. Menjalankan perkakas secara tidak sengaja dapat menyebabkan cedera.

Cekaman Mata Bor (gbr 4)

Sikat Motor

DEWALT menggunakan sistem sikat modern yang secara otomatis menghentikan bor ketika sikat aus. Hal ini mencegah kerusakan parah pada motor. Rakitan sikat baru dapat diperoleh di pusat layanan resmi DEWALT. Selalu gunakan komponen pengganti yang persis sama.



Pelumasan

Perkakas Listrik Anda tidak memerlukan pelumasan tambahan.



Pembersihan



PERINGATAN: Bersihkan kotoran dan debu dari rumah utama dengan udara kering sesering kotoran terlihat mengumpul di dan sekitar ventilasi udara. Kenakan perlindungan mata dan masker debu yang disetujui ketika melakukan prosedur ini.



PERINGATAN: Jangan sekali-kali menggunakan bahan pelarut atau bahan kimia keras lainnya untuk membersihkan bagian perkakas yang terbuat dari non-logam. Bahan kimia ini bisa melemahkan material yang digunakan dalam bagian ini. Gunakan kain yang hanya dilembapkan dengan air dan sabun lembut. Jangan sampai ada cairan masuk ke dalam perkakas; jangan sekali-kali membenamkan bagian apa pun dari perkakas ini ke dalam cairan.

Aksesori Opsional



PERINGATAN: Karena aksesori, selain yang diberikan oleh DEWALT, belum diuji dengan produk ini, maka penggunaan aksesori tersebut pada perkakas ini bisa berbahaya. Untuk mengurangi risiko cedera, hanya gunakan aksesori yang direkomendasikan oleh DEWALT untuk produk ini.

Hubungi dealer Anda untuk mendapatkan informasi lebih lanjut mengenai aksesori yang sesuai.



PERHATIAN: Untuk mengurangi risiko cedera, aksesori berikut ini sebaiknya hanya digunakan hingga ukuran maksimum yang ditunjukkan dalam tabel di bawah ini.

KAPASITAS MAKSIMUM YANG DIREKOMENDASIKAN

(DWD025)

Kapasitas bor	10 mm
Mata bor, pengeboran logam	10 mm
Mata bor, pengeboran masonri	13 mm
Kayu, pengeboran rata	25.4 mm
Lubang gergaji	28.4 mm

KAPASITAS MAKSIMUM YANG DIREKOMENDASIKAN

(DWD025)

Kapasitas bor	13 mm
Mata bor, pengeboran logam	13 mm
Mata bor, pengeboran masonri	16 mm
Kayu, pengeboran rata	25 mm
Lubang gergaji	30 mm

MÁY KHOAN ĐỘNG LỰC

DWD025

Chúc mừng bạn!

Vì bạn đã lựa chọn dụng cụ DeWALT. Trải qua nhiều năm kinh nghiệm, phát triển và đổi mới sản phẩm toàn diện, DeWALT đã trở thành người bạn đồng hành đáng tin cậy của những người sử dụng dụng cụ điện cầm tay chuyên nghiệp.

Thông số kỹ thuật

		DWD025-B1/XD
Điện áp	V	220-240
Công suất đầu vào	W	750
Tốc độ không tải	Phút	0-2,800
Lực đập mỗi phút		0-47,600
Khả năng khoan tối đa tường gạch /thép/gỗ	mm	16/13/25
Kích thước trục cốt máy	UNF	½"x20
Đường kính đầu kẹp tối đa	mm	13
Trọng lượng	Kg	1,6

Cần chì:

Các dụng cụ 220-240 V 10 amperes, nguồn chính

Các dụng cụ 110V 13 amperes, nguồn chính

Các khái niệm: Các chỉ dẫn an toàn

Các khái niệm dưới đây mô tả các mức độ nghiêm trọng của mỗi từ tín hiệu. Xin hãy đọc hướng dẫn và chú ý tới những ký hiệu sau đây.



CẢNH BÁO: nguy hiểm sắp xảy ra mà nếu không tránh được, sẽ gây ra **chết người hoặc thương tật nghiêm trọng**.



CẢNH BÁO: Nguy hiểm tiềm ẩn, mà nếu không tránh được, có thể gây ra **chết người hoặc thương tật nghiêm trọng**.



CẢNH BÁO: Nguy hiểm tiềm ẩn, mà nếu không tránh được, có thể gây ra **thương tật ở mức nhỏ hoặc trung bình**.

CẢNH BÁO: Chỉ một hành động không liên quan tới thương tật cá nhân, mà nếu không tránh được, có thể sẽ gây ra **hư hại cho tài sản**.



Giật điện.



Cháy nổ.



CẢNH BÁO: Để giảm thiểu nguy cơ thương tật, hãy đọc kỹ hướng dẫn sử dụng này.

Cảnh báo tổng quát cách sử dụng an toàn dụng cụ điện cầm tay



CẢNH BÁO! Đọc kỹ mọi cảnh báo an toàn và hướng dẫn. Không tuân thủ

mọi cảnh báo và hướng dẫn được liệt kê dưới đây có thể bị điện giật, gây cháy và/hay bị thương tật nghiêm trọng.

HÃY GIỮ TẤT CẢ TÀI LIỆU VỀ CẢNH BÁO VÀ HƯỚNG DẪN ĐỂ THAM KHẢO VỀ SAU

Thuật ngữ “dụng cụ điện cầm tay” trong phần cảnh báo là đề cập đến sự sử dụng dụng cụ điện cầm tay của bạn, loại sử dụng điện nguồn (có dây cắm điện) hay vận hành bằng pin (không dây cắm điện).

1) KHU VỰC LÀM VIỆC AN TOÀN

- a) **Giữ nơi làm việc làm việc sạch và đủ ánh sáng.** Nơi làm việc bừa bộn và tối tăm dễ gây ra tai nạn.
- b) **Không vận hành dụng cụ điện cầm tay trong môi trường dễ gây nổ, chẳng hạn như nơi có chất lỏng dễ cháy, khí đốt hay rác.**
Dụng cụ điện cầm tay tạo ra các tia lửa nên có thể làm rác bén cháy hay bốc khói.
- c) **Không để trẻ em hay người đến xem đứng gần khi vận hành dụng cụ điện cầm tay.** Sự phân tâm có thể gây ra sự mất điều khiển.

2) AN TOÀN VỀ ĐIỆN

- a) **Phích cắm của dụng cụ điện cầm tay phải thích hợp với ổ cắm.** Không bao giờ được cải biến lại phích cắm dưới mọi hình thức. Không được sử dụng phích tiếp hợp nối tiếp đất (dây mát). Phích cắm nguyên bản và ổ cắm đúng loại sẽ làm giảm nguy cơ bị điện giật.
- b) **Tránh không để thân thể tiếp xúc với đất hay các vật có bề mặt tiếp đất như đường ống, lò sưởi, hàng rào và tủ lạnh.** Có nhiều nguy cơ bị điện giật hơn nếu cơ thể bạn bị tiếp hay nối đất.
- c) **Không được để dụng cụ điện cầm tay ngoài mưa hay ở tình trạng ẩm ướt.** Nước vào máy sẽ làm tăng nguy cơ bị điện giật.
- d) **Không được lạm dụng dây dẫn điện.** Không bao giờ được nắm dây dẫn để xách, kéo hay rút phích cắm điện nguồn điện cầm tay. Không để dây gần nơi có

nhật độ cao, dầu nhớt, vật nhọn bén hay bộ phận chuyển động.

Làm hồng hay cuộn rối dây dẫn làm tăng nguy cơ bị điện giật.

- e) **Khi sử dụng dụng cụ điện cầm tay ngoài trời, dùng dây nối thích hợp cho việc sử dụng ngoài trời.** Sử dụng dây nối thích hợp cho việc sử dụng ngoài trời làm giảm nguy cơ bị điện giật.
 - f) **Nếu việc sử dụng dụng cụ điện cầm tay ở nơi ẩm ướt là không thể tránh được, dùng thiết bị ngắt mạch tự động (RCD) bảo vệ nguồn.** Sử dụng thiết bị ngắt mạch tự động RCD làm giảm nguy cơ bị điện giật.
- ### 3) AN TOÀN CÁ NHÂN
- a) **Hãy tỉnh táo, biết rõ mình đang làm gì và hãy sử dụng ý thức khi vận hành dụng cụ điện cầm tay.** Không sử dụng dụng cụ điện cầm tay khi đang mệt mỏi hay đang bị tác động do chất gây nghiện, rượu hay được phẩm gây ra. Một thoáng mất tập trung khi đang vận hành dụng cụ điện cầm tay có thể gây thương tích nghiêm trọng cho bản thân.
 - b) **Sử dụng trang bị bảo hộ cá nhân.** Luôn luôn đeo kính bảo vệ mắt. Trang bị bảo hộ như khẩu trang, giày chống trượt, nón bảo hộ, hay dụng cụ bảo vệ tai khi được sử dụng đúng nơi đúng chỗ sẽ làm giảm nguy cơ thương tật cho bản thân.
 - c) **Phòng tránh máy khởi động bất ngờ.** Bảo đảm công tắc máy ở vị trí tắt trước khi cắm vào nguồn điện và/hay lắp pin vào, khi nhấc máy lên hay khi mang xách máy. Ngáng ngón tay vào công tắc máy để xách hay kích hoạt dụng cụ điện cầm tay khi công tắc ở vị trí mở dễ dẫn đến tai nạn.
 - d) **Lấy mọi chìa khóa điều chỉnh ra trước khi mở điện dụng cụ điện cầm tay.** Khóa hay chìa còn gắn dính vào bộ phận quay của dụng cụ điện cầm tay có thể gây thương tích cho bản thân.

- e) **Không rướn người. Luôn luôn giữ tư thế đứng thích hợp và thẳng bằng.** Điều này tạo cho việc điều khiển dụng cụ điện cầm tay tốt hơn trong mọi tình huống bất ngờ.
- f) **Trang phục thích hợp. Không mặc quần áo rộng lung tung hay mang trang sức. Giữ tóc, quần áo và găng tay xa khỏi các bộ phận chuyển động.** Quần áo rộng lung tung, đồ trang sức hay tóc dài có thể bị cuốn vào các bộ phận chuyển động.
- g) **Nếu có các thiết bị đi kèm để nối máy hút bụi và các dụng cụ khác, bảo đảm các thiết bị này được nối và sử dụng tốt.** Việc sử dụng các thiết bị gom hút bụi có thể làm giảm các độc hại liên quan đến bụi gây ra.

4) SỬ DỤNG VÀ BẢO DƯỠNG DỤNG CỤ ĐIỆN CẦM TAY

- a) **Không được ép máy. Sử dụng dụng cụ điện cầm tay đúng loại theo đúng ứng dụng của máy.** Dụng cụ điện cầm tay đúng chức năng sẽ làm việc tốt và an toàn hơn theo đúng tiến độ mà máy được thiết kế.
- b) **Không sử dụng dụng cụ điện cầm tay nếu như công tắc bị kẹt.** Bất kỳ dụng cụ điện cầm tay nào mà không thể điều khiển được bằng công tắc là nguy hiểm và phải được sửa chữa.
- c) **Rút phích cắm ra khỏi nguồn điện và/hay pin ra khỏi dụng cụ điện cầm tay trước khi tiến hành bất kỳ điều chỉnh nào, thay phụ kiện, hay cắt dụng cụ điện cầm tay.** Các biện pháp ngăn ngừa như vậy làm giảm nguy cơ dụng cụ điện cầm tay khởi động bất ngờ.
- d) **Cất giữ dụng cụ điện cầm xa tầm với của trẻ em và không cho người chưa từng biết dụng cụ điện cầm tay hay các hướng dẫn này sử dụng dụng cụ điện cầm tay.** Dụng cụ điện cầm tay nguy hiểm khi ở trong tay người chưa được chỉ cách sử dụng.

- e) **Bảo quản dụng cụ điện cầm tay. Kiểm tra xem các bộ phận chuyển động có bị sai lệch hay kẹt, các bộ phận bị rạn nứt và các tình trạng khác có thể ảnh hưởng đến sự vận hành của máy. Nếu bị hư hỏng, phải sửa chữa máy trước khi sử dụng.** Nhiều tai nạn xảy ra do bảo quản dụng cụ điện cầm tay tồi.
- f) **Giữ các phụ kiện cắt bén và sạch.** Bảo quản đúng cách các phụ kiện cắt có cạnh cắt bén làm giảm khả năng bị kẹt và dễ điều khiển hơn.
- g) **Sử dụng dụng cụ điện cầm tay, phụ kiện, đầu cài, v.v... đúng theo các chỉ dẫn này, hãy lưu ý đến điều kiện làm việc và công việc phải thực hiện.** Sử dụng dụng cụ điện cầm tay khác với mục đích thiết kế có thể tạo nên tình huống nguy hiểm.

5) BẢO DƯỠNG

- a) **Đưa dụng cụ điện cầm tay của bạn đến thợ chuyên môn để bảo dưỡng, chỉ sử dụng dụng cụ đúng chủng loại để thay thế.** Điều này sẽ đảm bảo sự an toàn của máy được giữ nguyên.

CHỈ DẪN CHI TIẾT BỔ SUNG THÊM ĐỂ SỬ DỤNG MÁY KHOAN AN TOÀN

- **Đeo dụng cụ bảo vệ tai.** Tiếng ồn ồn lớn có thể làm mất khả năng nghe.
- **Sử dụng phụ kiện đi kèm với thiết bị.** Mất kiểm soát có thể gây thương tích cá nhân.
- **Chỉ nắm giữ dụng cụ điện ở phần nắm đã được cách điện, khi vận hành máy ở nơi mà dụng cụ cắt có thể chạm phải dây điện được thiết kế dấu không nhìn thấy được hay chính dây dẫn của máy.** Dụng cụ cắt chạm phải dây "có điện" có thể làm cho các bộ phận kim loại không được bao bọc "có điện" và giết người vận hành máy.
- **Sử dụng kẹp hoặc cách thiết thực khác để bảo đảm và hỗ trợ phối gia công đạt tới một nền tảng ổn định.** Dùng tay để giữ phối hoặc dựa vào

người là cách làm không ổn định và có thể dẫn đến mất kiểm soát.

- **Đeo kính bảo hộ hoặc các thiết bị bảo vệ mắt khác. Hoạt động khoan tạo ra các đám khoan bay.** Các hạt bay có thể gây ra tổn thương mắt vĩnh viễn.
- **Mũi khoan và dụng cụ điện sẽ nóng lên trong quá trình hoạt động.** Bạn cần mang găng tay khi chạm vào chúng.
- **Giữ các cần điều khiển luôn khô, sạch, không bị dính dầu mỡ.** Khuyến cáo sử dụng bao tay cao su. Điều này sẽ cho phép kiểm soát tốt hơn của công cụ này.

Các nguy cơ tiềm ẩn

Mặc dù đã áp dụng các quy định an toàn liên quan và sử dụng các thiết bị an toàn, các nguy cơ tiềm ẩn nhất định vẫn không thể tránh khỏi bao gồm:

- Ảnh hưởng tới thính giác
- Nguy cơ thương tật cá nhân do các hạt bay
- Nguy cơ cháy do việc các phụ kiện nóng lên trong quá trình vận hành
- Nguy cơ thương tật cá nhân do việc sử dụng kéo dài
- Nguy cơ bụi từ các chất nguy hiểm độc hại

Các ký hiệu trên phụ kiện

Các biểu tượng sau đây được thể hiện bên trên phụ kiện:



Đọc kỹ hướng dẫn trước khi sử dụng

VỊ TRÍ MÃ NGÀY

Mã ngày bao gồm cả năm sản xuất, sẽ được in lên trên vỏ phụ kiện.

Ví dụ:

201 4 XX XX
là năm sản xuất

Các nội dung đóng gói

Đóng gói dụng cụ bao gồm:

- 1 Máy khoan
- 1 Khóa đầu kẹp
- 1 Tay nắm phụ (DWD025)
- 1 Cần điều chỉnh độ sâu (DWD025)

1 Hướng dẫn sử dụng

- Kiểm tra các hư hại có thể xảy ra cho máy, các bộ phận hoặc các dụng cụ trong quá trình vận chuyển.
- Dành thời gian đọc kỹ và hiểu hướng dẫn này trước khi sử dụng.

Mô tả (Hình 1)



CẢNH BÁO: Không được sửa đổi dụng cụ điện cầm tay hoặc bất kỳ bộ phận nào của phụ kiện. Việc sửa đổi có thể gây hư hại hoặc thương tật cho con người.

1. Công tắc khởi động
2. Nút khóa công tắc
3. Nút đảo chiều
4. Nút chọn chế độ
5. Lỗ thông khí
6. Tay nắm phụ
7. Cần điều chỉnh độ sâu
8. Khóa mãm cặp
9. Ổng lót
10. Mãm cặp có khóa

Mục đích sử dụng

Các máy khoan công suất lớn V.S.R được thiết kế dùng cho việc khoan chuyên dụng.

KHÔNG sử dụng trong điều kiện ẩm ướt hoặc khi có mặt của các chất lỏng dễ bắt cháy hoặc các loại khí đốt.

Các máy khoan công suất lớn này là các dụng cụ điện cầm tay chuyên dụng.

KHÔNG để trẻ em tiếp xúc với dụng cụ điện.

Cần giám sát khi các nhân viên chưa có kinh nghiệm vận hành sử dụng phụ kiện.

An toàn thiết bị điện

Mô-tơ điện đã được thiết kế sử dụng cho một loại điện áp duy nhất. Luôn luôn ghi nhớ kiểm tra nguồn cấp điện tương ứng với mức điện áp quy định trên biển thông số.



Dụng cụ này được cách điện kép theo EN 60745; do đó không cần phải nối đất.

Nếu dây cáp điện bị hỏng, chúng cần phải được thay thế bởi một dây có sẵn đặc biệt khác thông qua trung tâm dịch vụ DeWALT.



CẢNH BÁO: KHÔNG BAO GIỜ sử dụng ổ cắm phát sáng.

KHÔNG BAO GIỜ kết nối dây trực tiếp (L) hoặc trung tính (N) với pin nối đất ký hiệu E hoặc \perp .

Sử dụng dây điện kéo dài

Không nên sử dụng cáp điện kéo dài ngoài trời trường hợp thật cần thiết. Sử dụng loại dây cáp kéo dài thích hợp được công nhận cho đầu vào công suất của dụng cụ (tham khảo **Dữ liệu kỹ thuật**). Kích thước dây dẫn tối thiểu là 1mm²; chiều dài tối đa là 30 m. Đồng thời tham khảo bảng dưới đây.

Kích thước dây dẫn (mm ²)	dây cáp danh định (Amperes)
0.75	6
1.00	10
1.50	15
2.50	20
4.00	25

Chiều dài dây cáp (m)

Điện áp	Amperes	Danh định dây cáp (Amperes)					
		7.5	15	25	30	45	60
220-240	0 – 2.0	6	6	6	6	6	6
	2.1 – 3.4	6	6	6	6	6	6
	3.5 – 5.0	6	6	6	6	10	15
	5.1 – 7.0	10	10	10	10	15	15
	7.1 – 12.0	15	15	15	15	20	20
110	12.1 – 20.0	20	20	20	20	25	–
	0 – 2.0	6	6	6	6	6	10
	2.1 – 3.4	6	6	6	6	15	15
	3.5 – 5.0	6	6	10	15	20	20
	5.1 – 7.0	10	10	15	20	20	25
	7.1 – 12.0	15	15	20	25	25	–
12.1 – 20.0	20	20	25	–	–	–	

Khi sử dụng lõi cuộn cáp, luôn phải tháo toàn bộ cáp ra.

LẮP RÁP VÀ HIỆU CHỈNH

Lựa chọn chế độ vận hành (hình 2)

Dụng cụ này có thể vận hành trong hai chế độ:



Khóa quay: dùng cho thép, gỗ và nhựa

Khóa rung: Quay và tác động liên tục được dùng để khoan khối xây và khoan bê tông.

- Lựa chọn chế độ vận hành theo yêu cầu bằng quay bộ chọn bê tông (4) đến vị trí yêu cầu.

Đầu kẹp được khóa

- Mở đầu kẹp bằng cách quay đồ gá kẹp (9) ngược chiều kim đồng hồ và chèn chuỗi khoan.
- Đặt khóa kẹp (10) vào trong mỗi lỗ ở mỗi bên của dụng cụ kẹp và quay theo chiều kim đồng hồ cho đến khi chặt.
- Để gỡ mũi khoan, thực hiện theo chiều ngược lại

Điều chỉnh tay cầm (Hình 1)

Tay cầm (6) có thể phù hợp cho cả người thuận tay Trái và Phải



Luôn luôn sử dụng máy khoan với tay cầm được lắp ráp đúng cách

- Nới lỏng tay cầm
- Đối với người sử dụng tay Trái, vận kẹp tay cầm bên bằng ổ lóp sau dụng cụ kẹp, cầm ở mé trái.
- Đối với người sử dụng tay Phải, vận kẹp tay cầm bên bằng ổ lóp sau dụng cụ kẹp, cầm ở mé phải
- Quay tay cầm bên về vị trí mong muốn và siết chặt tay cầm

Đặt độ sâu khoan (Hình 3)

- Chèn mũi khoan yêu cầu vào dụng cụ kẹp
- Nới lỏng tay cầm bên
- Điều chỉnh cần điều chỉnh chiều sâu (7) thông qua lỗ ở kẹp tay cầm bên
- Điều chỉnh chiều sâu khoan như hình vẽ
- Siết chặt tay cầm bên

Vị trí rung (Hình 1)

Lựa chọn chế độ rung

Nhấn công tắc (1)

Khoan quay (Hình 1)

Lựa chọn chế độ khoan quay

Thực hiện như miêu tả cho khoan quay

Tham khảo đại lý của bạn để biết thêm chi tiết về phụ kiện phù hợp

CẢNH BÁO: Để giảm thiểu các rủi ro thương tật cho người, tắt dụng cụ và tắt kết nối khỏi nguồn điện trước khi tiến hành lắp ráp và tháo các dụng cụ trước khi hiệu chỉnh hoặc thay đổi việc lắp đặt hoặc khi tiến hành sửa chữa. Đảm bảo công tắc khởi động ở vị trí TẮT (OFF). Việc khởi động bất ngờ có thể gây ra thương tật cho người.

VẬN HÀNH

Hướng dẫn sử dụng



CẢNH BÁO: Luôn tuân thủ các hướng dẫn về an toàn và các quy định áp dụng.

Công tắc khởi động (Hình 1)

Để khởi động mũi khoan, nhấn công tắc kích hoạt chuyển mạch; để ngừng khoan, nhả tay khỏi bộ khởi động.

Công tắc khởi động(1) cho phép kiểm soát tốc độ - công tắc càng được nhấn mạnh, vận tốc khoan càng lớn.

Trong trường hợp hoạt động liên tục, nhấn và giữ công tắc điều tốc, nhấn Nút khóa công tắc (2), sau đó nhả tay khỏi công tắc.

GHI CHÚ: Sử dụng tốc độ thấp hơn để khởi động khoan lỗ mà không cần khoan định tâm, khoan kim loại hoặc nhựa, đóng ốc vít hoặc khoan gốm sứ. Tốc độ cao hơn nên sử dụng tốt hơn cho việc khoan gỗ và tấm ghép và sử dụng các dụng cụ mài mòn và đánh bóng.

Nút đảo chiều(3) được sử dụng để rút mũi từ các lỗ khoan chặt chẽ và tháo các ốc vít. Nó được đặt ở phía trên của công tắc kích

hoạt. Để đảo ngược động cơ, TRƯỚC TIÊN thả tay khỏi công tắc chuyển đổi và sau đó đẩy nút đảo chiều về phía bên phải. Sau bất kỳ hoạt động lật nào, đưa nút đảo chiều trở về vị trí phía trước.

Để dừng chế độ vận hành liên tục, nhấn nhanh vào công tắc chuyển đổi và nhả tay ra. Luôn tắt công cụ điện sau khi công việc kết thúc và trước khi rút chốt điện.

Khoan



CẢNH BÁO: Để giảm nguy cơ thương tật cá nhân, LUÔN LUÔN đảm bảo phôi gia công được neo kẹp chắc chắn. Nếu khoan chất liệu mỏng, sử dụng đế lót gỗ để tránh gây ra các thiệt hại cho vật liệu.

1. Sử dụng các mũi khoan sắc. Khi khoan GỖ, sử dụng mũi khoan xoắn, mũi khoan phá, mũi khoan ruột gà điện, hoặc các loại cưa lỗ. Với KIM LOẠI, sử dụng mũi khoan xoắn thép hoặc cưa lỗ.

2. Luôn luôn sử dụng áp lực trên một đường thẳng với mũi khoan. Sử dụng áp lực đủ để giữ mũi khoan xoáy, nhưng không đẩy quá mạnh để giảm tốc động cơ hoặc làm chệch hướng các mũi khoan.

3. Giữ dụng cụ chắc chắn bằng cả hai tay để điều khiển việc xoắn khoan.

4. **NẾU KHOAN GIÃM TỐC**, lý do thường là bởi vì nó đang bị quá tải hoặc sử dụng không đúng cách

THẢ CÔNG TẮC CHUYỂN MẠCH NGAY LẬP TỨC, tháo mũi khoan, và xác định nguyên nhân của sự trì hoãn. **KHÔNG KHỞI ĐỘNG VÀ TẮT CÔNG TẮC CHUYỂN MẠCH NHẪM NỖ LỰC KHỞI ĐỘNG MÁY KHOAN – ĐIỀU NÀY CÓ THỂ LÀM HỎNG MÁY KHOAN.**

5. Để giảm thiểu việc hư hoặc phá vỡ vật liệu, giảm bớt áp lực trên máy khoan và dễ dàng đưa mũi khoan qua phần đoạn cuối cùng của lỗ khoan.

6. Đảm bảo động cơ hoạt động khi kéo các mũi khoan về phía sau của lỗ khoan. Điều này sẽ giúp ngăn ngừa sự cố xảy ra.

7. Với các máy khoan điều tốc, không cần phải khoan vào tâm điểm được khoan. Khoan với tốc độ chậm để khởi động lỗ khoan và tăng tốc bằng cách ép kích hoạt tăng lên khi lỗ khoan đạt độ sâu đủ để khoan mà không bỏ qua mũi khoan nào.

KHOAN KIM LOẠI

Tiến hành khoan với tốc độ chậm và tăng lên tới tốc độ lớn kết hợp áp dụng áp lực lớn lên phụ kiện. Một dòng chảy êm mịn của các mảnh kim loại cho thấy tốc độ khoan thích hợp. Sử dụng một chất bôi trơn cắt khi khoan kim loại. Các trường hợp ngoại lệ bao gồm đúc sắt và đồng cần được khoan khô.

KHOAN GỖ

Tiến hành khoan với tốc độ chậm và tăng lên tới tốc độ lớn kết hợp áp dụng áp lực lớn lên phụ kiện. Các lỗ khoan trong gỗ có thể được thực hiện với cùng một mũi khoan xoắn được sử dụng cho kim loại. Mũi khoan có thể bị quá nóng nên được kéo ra thường xuyên để xóa các dăm khoan từ các khe nhỏ. Khi khoan vật liệu mỏng nên chèn bởi một khối gỗ.

Khóa cho Đầu kẹp (Hình 3, 4)

DWD025 có đầu kẹp có khóa (d). Để chèn mũi khoan hoặc dụng cụ khác, tuân thủ theo các bước được liệt kê dưới đây.

1. Mở miệng kẹp bằng cách xoay vòng kẹp bằng tay và chèn chuôi của mũi khoan khoảng 3/4 "(19 mm) vào trong đầu kẹp. Thắt chặt vòng kẹp đầu kẹp bằng tay.
2. Đặt khóa đầu kẹp vào trong ba lỗ trên đầu khoan khác nhau, và vặn chặt theo chiều kim đồng hồ. Điều quan trọng là để vặn chặt đầu kẹp với cả ba lỗ.

Để rời lỏng mũi khoan, xoay đầu kẹp ngược chiều kim đồng hồ trong một lỗ, sau đó rời lỏng đầu kẹp bằng tay.

THÁO MÂM CẠP CÓ KHÓA (H. 3)

Vặn chặt đầu kẹp quanh khoảng cuối ngắn hơn của chìa khóa sáu cạnh (không được cung cấp) loại 1/4 "(6 mm) hoặc loại có kích cỡ lớn hơn. Sử dụng búa mềm, đập mạnh theo hướng ngược chiều kim đồng hồ lên khóa khi nhìn từ phía trước của công cụ này. Điều này sẽ rời lỏng các đầu kẹp để nó có thể được tháo bằng tay.

LẮP ĐẦU KẸP CÓ KHÓA (H.4)

Vặn đinh vít đầu kẹp lên bằng tay hết cỡ. Chèn đầu ngắn hơn của chìa khóa sáu cạnh (không được cung cấp) loại 1/4 "(6 mm) hoặc loại có kích cỡ lớn hơn và đập

lên khóa đó theo chiều kim đồng hồ bằng búa mềm.

BẢO DƯỠNG DỤNG CỤ

Dụng cụ điện DeWALT của bạn đã được thiết kế thích hợp với hoạt động trong thời gian dài và mức bảo dưỡng thấp nhất. Việc hoạt động thích hợp liên tục phụ thuộc vào việc bảo dưỡng dụng cụ đúng cách và vệ sinh thường xuyên.



CẢNH BÁO: Để giảm thiểu các rủi ro thương tật nghiêm trọng cho người, tắt dụng cụ và tắt kết nối khỏi nguồn điện trước khi tiến hành lắp đặt và tháo các phụ kiện, trước khi hiệu chỉnh hoặc thay đổi cài đặt hoặc khi tiến hành sửa chữa. Đảm bảo rằng công tắc khởi động ở vị trí tắt (OFF). Việc khởi động bất ngờ có thể gây thương tật cho người.

Chổi than

DEWALT sử dụng một hệ thống chổi than tiên tiến tự động ngắt máy khi chổi than bị mòn đến mức nhất định. Điều này ngăn chặn các thiệt hại nghiêm trọng xảy ra cho động cơ. Các bộ phận chổi than mới có sẵn tại trung tâm dịch vụ ủy quyền của DEWALT. Luôn luôn sử dụng các bộ phận thay thế giống hệt nhau.



Bôi trơn

Dụng cụ cầm tay của bạn không yêu cầu bôi trơn bổ sung.



Hút Dăm/Bụi



CẢNH BÁO: Hút dăm/bụi bản khỏi vỏ máy chính bằng khí khô mỗi khi thấy có bụi trên và quanh lỗ thông khí. Đeo kính bảo hộ và mặt nạ chống bụi khi thao tác.



CẢNH BÁO: Không bao giờ được sử dụng chất hòa tan hoặc các hóa chất tương phản khác để làm sạch các bộ phận không bằng kim loại của phụ kiện. Những hóa chất này có thể làm yếu các vật liệu sử dụng trong các bộ phận đó. Sử dụng vải làm ướt bằng nước hoặc xà phòng trung

tính. Không để chất lỏng chảy vào bên trong phụ kiện; không nhúng bất kỳ bộ phận nào của dụng cụ vào trong chất lỏng.

Các dụng cụ tự chọn



CẢNH BÁO: Do các phụ kiện, ngoại trừ các phụ kiện được cung cấp bởi DeWALT, không được kiểm nghiệm với sản phẩm này, nên việc sử dụng các phụ kiện đó với dụng cụ này có thể gây nguy hiểm. Để giảm thiểu nguy cơ thương tật, chỉ sử dụng các phụ kiện được DeWALT khuyến dùng cùng với sản phẩm này. Tham khảo cơ sở bán lẻ của bạn để có thêm thông tin về các dụng cụ thích hợp.



CẢNH BÁO: Để giảm nguy cơ thương tật cho người, các dụng cụ sau đây nên được sử dụng với kích thước lên đến mức tối đa được hiển thị trong bảng dưới đây.

CÔNG SUẤT TỐI ĐA KHUYẾN CÁO

Công suất khoan	10 mm
Mũi khoan, khoan kim loại	10 mm
Mũi khoan, khoan tường gạch	13 mm
Gỗ, khoan phẳng	25.4 mm
Khoét lỗ	28.4 mm

CÔNG SUẤT TỐI ĐA KHUYẾN CÁO

Công suất khoan	13 mm
Mũi khoan, khoan kim loại	13 mm
Mũi khoan, khoan tường gạch	16 mm
Gỗ, khoan phẳng	25 mm
Khoét lỗ	30mm

