

---

# DEWALT®

---

**XR FLEX  
VOLT™**  
*LI-ION*

ORIGINAL INSTRUCTIONS

**WWW.DEWALT.com**

**DCM5713**

---

English (*original instructions*)

4

---

简体中文

14

---

Fig. A  
图A

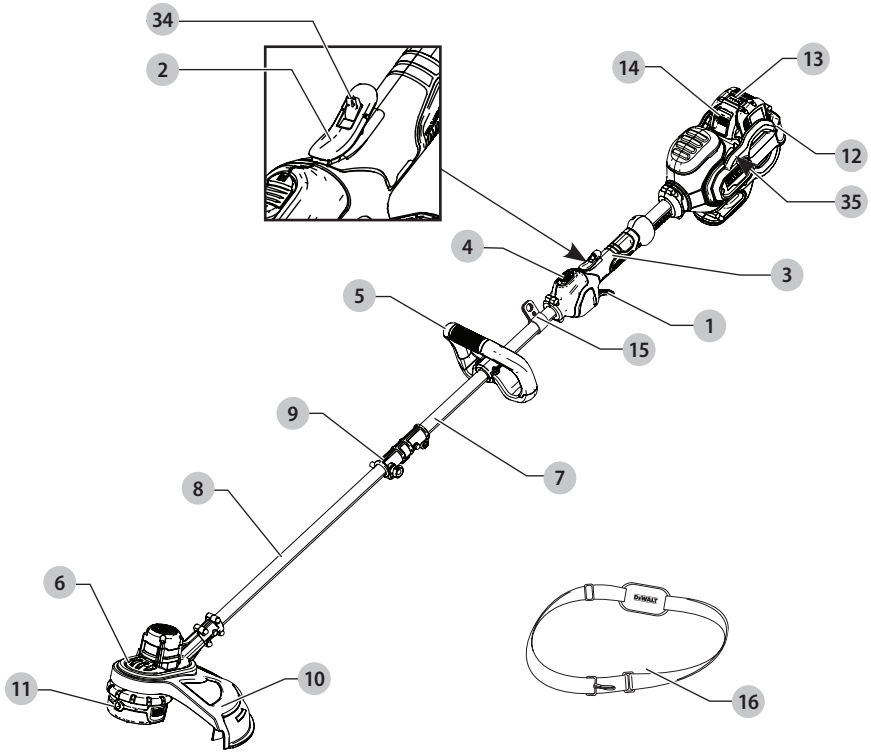


Fig. B  
图B

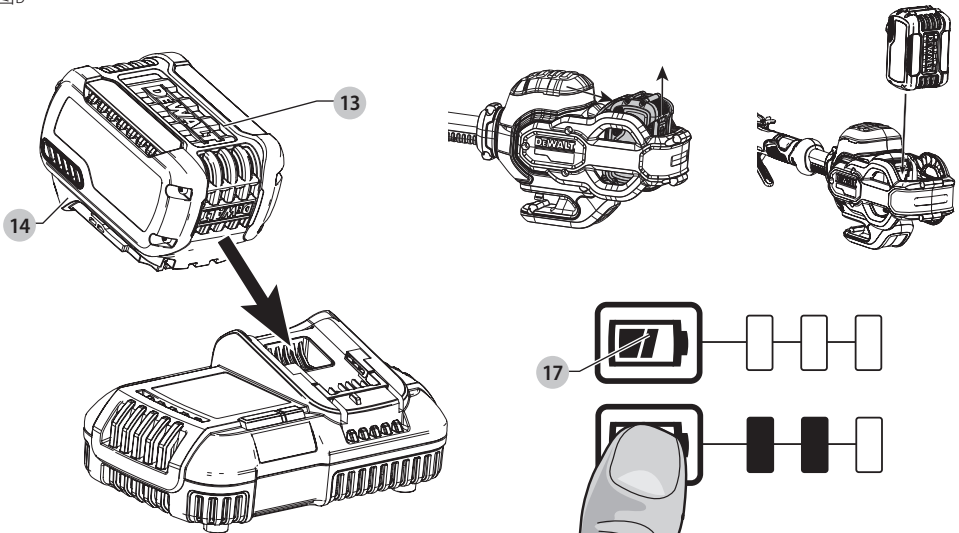


Fig. C  
图C

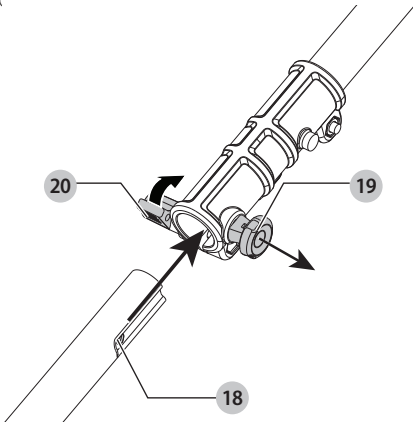


Fig. D  
图D

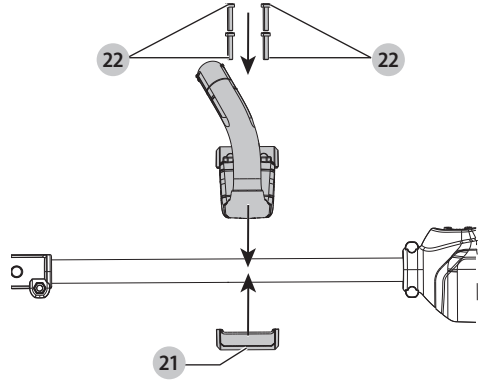


Fig. E  
图E

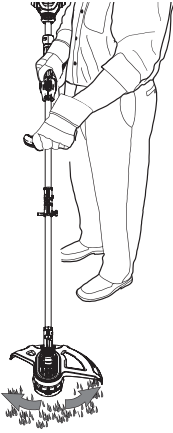


Fig. F  
图F

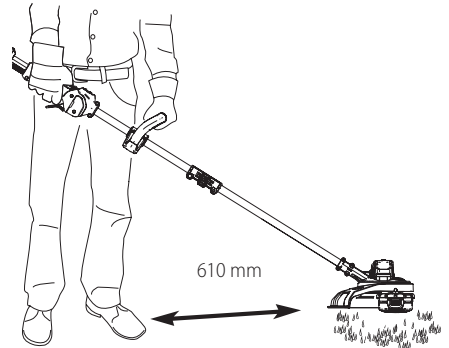


Fig. G  
图G

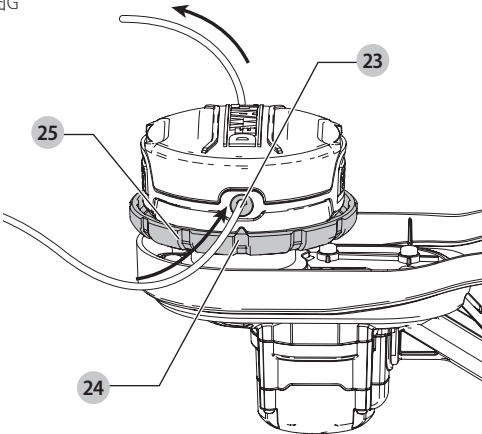


Fig. H  
图H

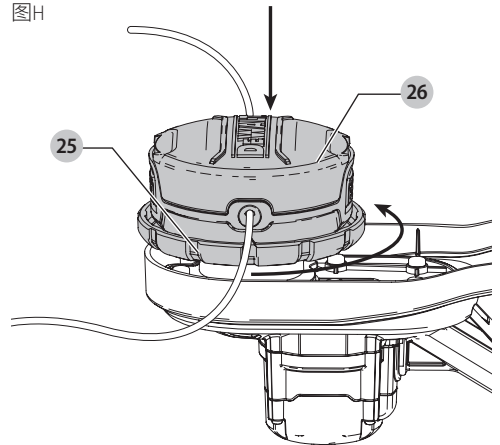


Fig. I  
图I

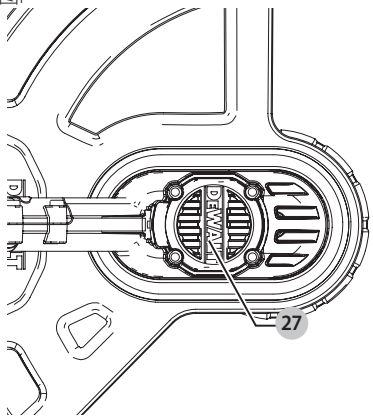


Fig. J  
图J

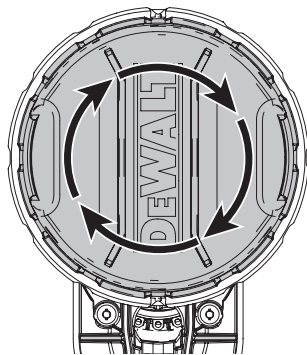


Fig. K  
图K

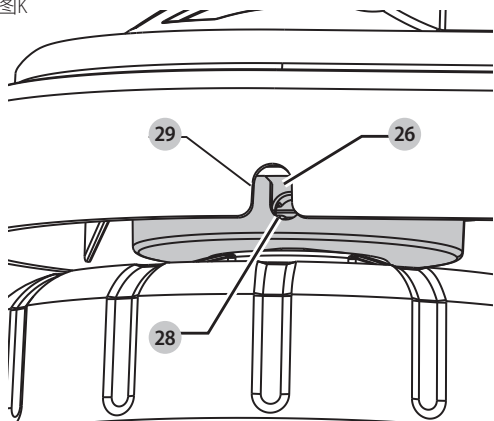


Fig. L  
图L

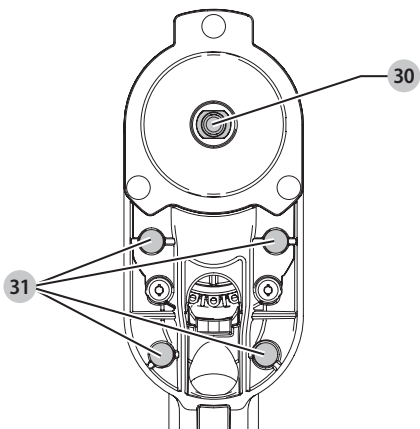
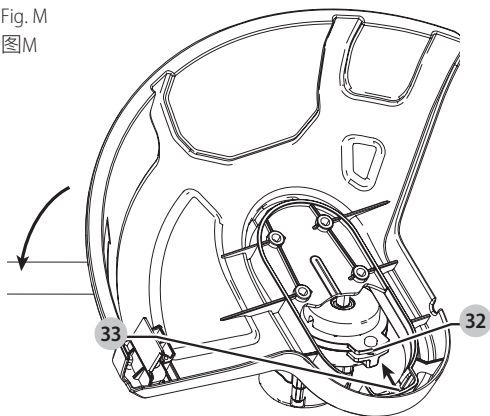


Fig. M  
图M



# GRASS TRIMMER

## DCM5713

### Congratulations!

You have chosen a DEWALT tool. Years of experience, thorough product development and innovation make DEWALT one of the most reliable partners for professional power tool users.

### Technical Data

DCM5713N Bare Unit.

DCM5713X1 comes with Battery (DCB547) and charger (DCB118).

DCM5713		
Voltage	V <sub>DC</sub>	54V(60V Max)
RPM	/min	0-5100 / 0-5500
Cutting Swath Size	mm	380
Weight (without battery pack)	kg	4.2



**WARNING:** To reduce the risk of injury, read the instruction manual.

### Definitions: Safety Guidelines

The definitions below describe the level of severity for each signal word. Please read the manual and pay attention to these symbols.



**DANGER:** Indicates an imminently hazardous situation which, if not avoided, **will** result in **death or serious injury**.



**WARNING:** Indicates a potentially hazardous situation which, if not avoided, **could** result in **death or serious injury**.



**CAUTION:** Indicates a potentially hazardous situation which, if not avoided, **may** result in **minor or moderate injury**.

**NOTICE:** Indicates a practice **not related to personal injury** which, if not avoided, **may** result in **property damage**.



Denotes risk of electric shock.



Denotes risk of fire.

### SAFETY INSTRUCTIONS



**WARNING:** When using mains-powered appliances, basic safety precautions, including the following, should always be followed to reduce the risk of fire, electric shock, personal injury and material damage.



**WARNING:** When using the machine the safety rules must be followed. For your own safety and bystanders please read these instructions before operating the machine. Please keep the instructions safe for later use.

Batteries				Chargers / Charge Times (Minutes)						
Cat#	V <sub>DC</sub>	Ah	Weight(kg)	DCB104	DCB107	DCB112	DCB115	DCB117 DCB1112	DCB118	DCB132
DCB546/DCB606	18/54 (20/60 Max)	6.0/2.0	1.08	60	270	170	90	40	60	90
DCB547/DCB609	18/54 (20/60 Max)	9.0/3.0	1.46	75*	420	270	135*	60	75*	135*
DCB548/DCB612	18/54 (20/60 Max)	12.0/4.0	1.46	120	540	350	180	80	120	180
DCB549/DCB615	18/54 (20/60 Max)	15.0/5.0	2.12	125	730	450	230	90	125	230
DCB180	18 (20 Max)	3.0	0.62	45	140	90	45	45	45	45
DCB181	18 (20 Max)	1.5	0.35	22	70	45	22	22	22	22
DCB182/DCB204	18 (20 Max)	4.0	0.61	60/40**	185	120	60	60/40**	60/40**	60
DCB183/DCB203	18 (20 Max)	2.0	0.40	30	90	60	30	30	30	30
DCB184/DCB205	18 (20 Max)	5.0	0.62	75/50**	240	150	75	75/50**	75/50**	75
DCB185	18 (20 Max)	1.3	0.35	22	60	40	22	22	22	22
DCB187	18 (20 Max)	3.0	0.54	45	140	90	45	45	45	45
DCB189/DCB240	18 (20 Max)	4.0	0.54	60	185	120	60	60	60	60
DCB186	18 (20 Max)	6.0	0.95	60	270	170	90	60	60	90
DCB208	18 (20 Max)	8.0	0.95	70	360	240	120	70	70	120
DCBP034	18 (20 Max)	1.7	0.32	27	82	50	27	27	27	27

\*Date code 201811475B or later

\*\*Date code 201536 or later

- Read all of this manual carefully before operating the appliance.
- The intended use is described in this manual. The use of any accessory or attachment or the performance of any operation with this appliance other than those recommended in this instruction manual may present a risk of personal injury.
- Retain this manual for future reference.

**IMPORTANT**  
**READ CAREFULLY BEFORE USE**  
**KEEP FOR FUTURE REFERENCE**

## SAFE OPERATING PRACTICES

### Training

- Read the instructions carefully.** Be familiar with the controls and the correct use of the machine.
- Never allow children or people unfamiliar with these instructions to use the machine.** Local regulations can restrict the age of the operator.
- Keep in mind that the operator or user is responsible for accidents or hazards occurring to other people or their property.

### Preparation

- Before use, always visually inspect the machine for damaged, missing or misplaced guards or shields.
- Never operate the machine while people, especially children, or pets are nearby.

### Operation

- Wear eye protection and stout shoes at all times while operating the machine.
- Avoid using the machine in bad weather conditions especially when there is a risk of lightning.
- Use the machine only in daylight or good artificial light.
- Never operate the machine with damaged guards or shields or without guards or shields in place.
- Switch on the motor only when the hands and feet are away from the cutting means.
- Always disconnect the machine from the power supply (i.e. remove the plug from the mains, remove the disabling device or removable battery)**
  - whenever the machine is left unattended;
  - before clearing a blockage;
  - before checking, cleaning or working on the machine;
  - after striking a foreign object;
  - whenever the machine starts vibrating abnormally.
- Take care against injury to feet and hands from the cutting means.
- Always ensure that the ventilation openings are kept clear of debris.
- Remove any objects that may cause kickback, such as branches and rocks.
- Check for loose fasteners and damaged parts, such as cracks in the cutting attachment.

## Maintenance and Storage

- Disconnect the machine from the power supply (i.e. remove the plug from the mains, remove the disabling device or removable battery) before carrying out maintenance or cleaning work.**
- Use only the manufacturer's recommended replacement parts and accessories.
- Inspect and maintain the machine regularly.** Have the machine repaired only by an authorized repairer.
- When not in use, store the machine out of the reach of children.
- Use blade cover for metal blades during transport and storage.
- Clean before storing, including the use of guards on cutting attachments with metal blades.

## ADDITIONAL SAFETY INSTRUCTIONS FOR GRASS TRIMMERS

 **WARNING:** Cutting elements continue to rotate after the motor is switched off.

- Wear long trousers to protect your legs.
- Before using the appliance, check that your cutting path is free from sticks, stones, wire and any other obstacles.
- Only use the appliance in the upright position, with the cutting line near the ground. Never switch the appliance on in any other position.
- Move slowly when using the appliance. Be aware that freshly cut grass is damp and slippery.
- Do not work on steep slopes. Work across the face of slopes, not up and down.
- Never cross gravel paths or roads while the appliance is running.
- Never touch the cutting line while the appliance is running.
- Do not put the appliance down until the cutting line has come to a complete standstill.
- Use only the appropriate type of cutting line. Never use metal cutting line or fishing line.
- Keep hands and feet away from the cutting line and blade at all times, especially when switching on the motor.
- Before using the appliance and after any impact, check for signs of wear or damage and repair as necessary.
- Take care against injury from any device fitted for trimming the filament line length. After extending new cutter line always return the machine to its normal operating position before switching on.
- Close supervision is necessary when the appliance is used near children.
- This appliance is not intended for use by young or infirm persons without supervision.
- This appliance is not to be used as a toy.
- Use in a dry location only. Do not allow the appliance to become wet.

- Do not immerse the appliance in water.
- Do not open the body casing. There are not user-serviceable parts inside
- Do not operate the appliance in explosive atmospheres, such as in the presence of flammable liquids, gases or dust.
- When the appliance is stored or transported in a vehicle it should be placed in the boot or restrained to prevent movement following sudden changes in speed or direction.
- When not in use, the appliance should be stored in a dry, well ventilated place out of reach of children.
- Children should not have access to stored appliances.

## Safety of Others

- This appliance is not intended for use by persons (including children) with reduced physical, sensory or mental capabilities, or lack of experience and knowledge, unless they have been given supervision or instruction concerning use of the appliance by a person responsible for their safety.
- Children must be supervised to ensure that they do not play with the appliance.

## Residual Risks

To ensure you have good footing on slopes, do not overreach. Keep your balance at all times. Always walk, do not run.

Additional residual risks may arise when using the tool which may not be included in the enclosed safety warnings. These risks can arise from misuse, prolonged use etc.

Even with the application of the relevant safety regulations and the implementation of safety devices, certain residual risks can not be avoided. These include:

- Injuries caused by touching any rotating/moving parts.
- Injuries caused when changing any parts, blades or accessories.
- Injuries caused by prolonged use of a tool. When using any tool for prolonged periods ensure you take regular breaks.
- Impairment of hearing.
- Health hazards caused by breathing dust developed when using your tool (example: working with wood, especially oak, beech and MDF.)

## Electrical Safety

The electric motor has been designed for one voltage only. Always check that the battery pack voltage corresponds to the voltage on the rating plate. Also make sure that the voltage of your charger corresponds to that of your mains.



Your DeWALT charger is double insulated in accordance with IEC60335; therefore no earth wire is required.

If the supply cord is damaged, it must be replaced by a specially prepared cord available through the DeWALT service organisation.

## Using an Extension Cable

An extension cord should not be used unless absolutely necessary. Use an approved extension cable suitable for

the power input of your charger (see **Technical Data**). The minimum conductor size is 1 mm<sup>2</sup>; the maximum length is 30 m.

When using a cable reel, always unwind the cable completely.

## SAVE THESE INSTRUCTIONS

### Chargers

DeWALT chargers require no adjustment and are designed to be as easy as possible to operate.

### Important Safety Instructions for All Battery Chargers

**SAVE THESE INSTRUCTIONS:** This manual contains important safety and operating instructions for compatible battery chargers (refer to **Technical Data**).

- Before using charger, read all instructions and cautionary markings on charger, battery pack, and product using battery pack.

**⚠ WARNING:** Shock hazard. Do not allow any liquid to get inside charger. Electric shock may result.

**⚠ WARNING:** We recommend the use of a residual current device with a residual current rating of 30mA or less.

**⚠ CAUTION:** Burn hazard. To reduce the risk of injury, charge only DeWALT rechargeable batteries. Other types of batteries may burst causing personal injury and damage.

**⚠ CAUTION:** Children should be supervised to ensure that they do not play with the appliance.

**NOTICE:** Under certain conditions, with the charger plugged into the power supply, the exposed charging contacts inside the charger can be shorted by foreign material. Foreign materials of a conductive nature such as, but not limited to, steel wool, aluminum foil or any buildup of metallic particles should be kept away from charger cavities. Always unplug the charger from the power supply when there is no battery pack in the cavity. Unplug charger before attempting to clean

- **DO NOT attempt to charge the battery pack with any chargers other than the ones in this manual.** The charger and battery pack are specifically designed to work together.
- **These chargers are not intended for any uses other than charging DeWALT rechargeable batteries.** Any other uses may result in risk of fire, electric shock or electrocution.
- **Do not expose charger to rain or snow.**
- **Pull by plug rather than cord when disconnecting charger.** This will reduce risk of damage to electric plug and cord.



- **Make sure that cord is located so that it will not be stepped on, tripped over, or otherwise subjected to damage or stress.**
- **Do not use an extension cord unless it is absolutely necessary.** Use of improper extension cord could result in risk of fire, electric shock, or electrocution.
- **Do not place any object on top of charger or place the charger on a soft surface that might block the ventilation slots and result in excessive internal heat.** Place the charger in a position away from any heat source. The charger is ventilated through slots in the top and the bottom of the housing.
- **Do not operate charger with damaged cord or plug—** have them replaced immediately.
- **Do not operate charger if it has received a sharp blow, been dropped, or otherwise damaged in any way.** Take it to an authorised service centre.
- **Do not disassemble charger; take it to an authorised service centre when service or repair is required.** Incorrect reassembly may result in a risk of electric shock, electrocution or fire.
- *In case of damaged power supply cord the supply cord must be replaced immediately by the manufacturer, its service agent or similar qualified person to prevent any hazard.*
- **Disconnect the charger from the outlet before attempting any cleaning. This will reduce the risk of electric shock.** Removing the battery pack will not reduce this risk.
- **NEVER** attempt to connect two chargers together.
- **The charger is designed to operate on standard 220-240V household electrical power. Do not attempt to use it on any other voltage.** This does not apply to the vehicular charger.

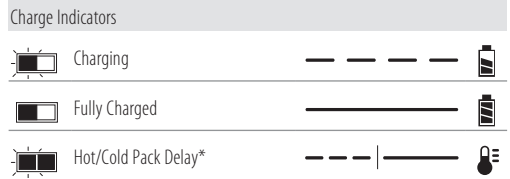
## Charging a Battery (Fig. B)

1. Plug the charger into an appropriate outlet before inserting battery pack.
2. Insert the battery pack **13** into the charger, making sure the battery pack is fully seated in the charger. The red (charging) light will blink repeatedly indicating that the charging process has started.
3. The completion of charge will be indicated by the red light remaining ON continuously. The battery pack is fully charged and may be used at this time or left in the charger. To remove the battery pack from the charger, push the battery release button **14** on the battery pack.

**NOTE:** To ensure maximum performance and life of lithium-ion battery packs, charge the battery pack fully before first use.

## Charger Operation

Refer to the indicators below for the charge status of the battery pack.



\*The red light will continue to blink, but a yellow indicator light will be illuminated during this operation. Once the battery pack has reached an appropriate temperature, the yellow light will turn off and the charger will resume the charging procedure.

The compatible charger(s) will not charge a faulty battery pack. The charger will indicate faulty battery by refusing to light.

**NOTE:** This could also mean a problem with a charger.

If the charger indicates a problem, take the charger and battery pack to be tested at an authorised service centre.

## Hot/Cold Pack Delay

When the charger detects a battery pack that is too hot or too cold, it automatically starts a Hot/Cold Pack Delay, suspending charging until the battery pack has reached an appropriate temperature. The charger then automatically switches to the pack charging mode. This feature ensures maximum battery pack life.

A cold battery pack will charge at a slower rate than a warm battery pack. The battery pack will charge at that slower rate throughout the entire charging cycle and will not return to maximum charge rate even if the battery pack warms.

The DCB118 charger is equipped with an internal fan designed to cool the battery pack. The fan will turn on automatically when the battery pack needs to be cooled. Never operate the charger if the fan does not operate properly or if ventilation slots are blocked. Do not permit foreign objects to enter the interior of the charger.

## Electronic Protection System

XR Li-Ion tools are designed with an Electronic Protection System that will protect the battery pack against overloading, overheating or deep discharge.

The tool will automatically turn off if the Electronic Protection System engages. If this occurs, place the lithium-ion battery pack on the charger until it is fully charged.

## Wall Mounting

These chargers are designed to be wall mountable or to sit upright on a table or work surface. If wall mounting, locate the charger within reach of an electrical outlet, and away from a corner or other obstructions which may impede air flow. Use the back of the charger as a template for the location of the mounting screws on the wall. Mount the charger securely using drywall screws (purchased separately) at least 25.4 mm long with a screw head diameter of 7–9 mm, screwed into wood to an optimal depth leaving approximately 5.5 mm of the screw exposed. Align the slots on the back of the charger with the exposed screws and fully engage them in the slots.

## Charger Cleaning Instructions

**⚠ WARNING:** *Shock hazard. Disconnect the charger from the AC outlet before cleaning. Dirt and grease may be removed from the exterior of the charger using a cloth or soft non-metallic brush. Do not use water or any cleaning solutions. Never let any liquid get inside the tool; never immerse any part of the tool into a liquid.*

## Battery Packs

### Important Safety Instructions for All Battery Packs

When ordering replacement battery packs, be sure to include catalogue number and voltage.

The battery pack is not fully charged out of the carton. Before using the battery pack and charger, read the safety instructions below. Then follow charging procedures outlined.

#### READ ALL INSTRUCTIONS

- **Do not charge or use battery in explosive atmospheres, such as in the presence of flammable liquids, gases or dust.** Inserting or removing the battery from the charger may ignite the dust or fumes.
- **Never force battery pack into charger. Do not modify battery pack in any way to fit into a non-compatible charger as battery pack may rupture causing serious personal injury.**
- *Charge the battery packs only in DeWALT chargers.*
- **DO NOT splash or immerse in water or other liquids.**
- **Do not store or use the tool and battery pack in locations where the temperature may reach or exceed 40 °C (104 °F) (such as outside sheds or metal buildings in summer).**
- **Do not incinerate the battery pack even if it is severely damaged or is completely worn out.** The battery pack can explode in a fire. Toxic fumes and materials are created when lithium-ion battery packs are burned.
- **If battery contents come into contact with the skin, immediately wash area with mild soap and water.** If battery liquid gets into the eye, rinse water over the open eye for 15 minutes or until irritation ceases. If medical attention is needed, the battery electrolyte is composed of a mixture of liquid organic carbonates and lithium salts.
- **Contents of opened battery cells may cause respiratory irritation.** Provide fresh air. If symptoms persists, seek medical attention.

**⚠ WARNING:** *Burn hazard. Battery liquid may be flammable if exposed to spark or flame.*

**⚠ WARNING:** *Never attempt to open the battery pack for any reason. If battery pack case is cracked or damaged, do not insert into charger. Do not crush, drop or damage battery pack. Do not use a battery pack or charger that has received a sharp blow, been dropped,*

*run over or damaged in any way (i.e., pierced with a nail, hit with a hammer, stepped on). Electric shock or electrocution may result. Damaged battery packs should be returned to service centre for recycling.*

**⚠ WARNING:** *Fire hazard. Do not store or carry the battery pack so that metal objects can contact exposed battery terminals. For example, do not place the battery pack in aprons, pockets, tool boxes, product kit boxes, drawers, etc., with loose nails, screws, keys, etc.*

**⚠ CAUTION:** *When not in use, place tool on its side on a stable surface where it will not cause a tripping or falling hazard. Some tools with large battery packs will stand upright on the battery pack but may be easily knocked over.*

## Transportation

**⚠ WARNING:** *Fire hazard. Transporting batteries can possibly cause fire if the battery terminals inadvertently come in contact with conductive materials. When transporting batteries, make sure that the battery terminals are protected and well insulated from materials that could contact them and cause a short circuit.*

**NOTE:** Lithium-ion batteries should not be put in checked baggage.

DeWALT batteries comply with all applicable shipping regulations as prescribed by industry and legal standards which include UN Recommendations on the Transport of Dangerous Goods; International Air Transport Association (IATA) Dangerous Goods Regulations, International Maritime Dangerous Goods (IMDG) Regulations, and the European Agreement Concerning The International Carriage of Dangerous Goods by Road (ADR). Lithium-ion cells and batteries have been tested to section 38.3 of the UN Recommendations on the Transport of Dangerous Goods Manual of Tests and Criteria.

In most instances, shipping a DeWALT battery pack will be excepted from being classified as a fully regulated Class 9 Hazardous Material. In general, only shipments containing a lithium-ion battery with an energy rating greater than 100 Watt Hours (Wh) will require being shipped as fully regulated Class 9. All lithium-ion batteries have the Watt Hour rating marked on the pack. Furthermore, due to regulation complexities, DeWALT does not recommend air shipping lithium-ion battery packs alone regardless of Watt Hour rating. Shipments of tools with batteries (combo kits) can be air shipped as excepted if the Watt Hour rating of the battery pack is no greater than 100 Whr. Regardless of whether a shipment is considered excepted or fully regulated, it is the shipper's responsibility to consult the latest regulations for packaging, labeling/marketing and documentation requirements.

The information provided in this section of the manual is provided in good faith and believed to be accurate at the time the document was created. However, no warranty, expressed or

implied, is given. It is the buyer's responsibility to ensure that its activities comply with the applicable regulations.

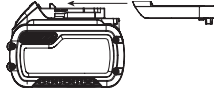
### Transporting the FLEXVOLT™ Battery

The DeWALT FLEXVOLT™ battery has two modes: **Use** and **Transport**.

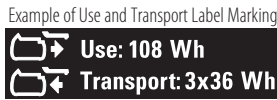
**Use Mode:** When the FLEXVOLT™ battery stands alone or is in a DeWALT 18V(20V Max) product, it will operate as an 18V(20V Max) battery. When the FLEXVOLT™ battery is in a 54V(60V Max) or a 108V(120V Max) (two 54V(60V Max) batteries) product, it will operate as a 54V(60V Max) battery.

**Transport Mode:** When the cap is attached to the FLEXVOLT™ battery, the battery is in Transport mode. Keep the cap for shipping.

When in Transport mode, strings of cells are electrically disconnected within the pack resulting in 3 batteries with a lower Watt hour (Wh) rating as compared to 1 battery with a higher Watt hour rating. This increased quantity of 3 batteries with the lower Watt hour rating can exempt the pack from certain shipping regulations that are imposed upon the higher Watt hour batteries.



For example, the Transport Wh rating might indicate 3 x 36 Wh, meaning 3 batteries of 36 Wh each. The Use Wh rating might indicate 108 Wh (1 battery implied).



### Storage Recommendations

1. The best storage place is one that is cool and dry away from direct sunlight and excess heat or cold. For optimum battery performance and life, store battery packs at room temperature when not in use.
2. For long storage, it is recommended to store a fully charged battery pack in a cool, dry place out of the charger for optimal results.

**NOTE:** Battery packs should not be stored completely depleted of charge. The battery pack will need to be recharged before use.

### Labels on Charger and Battery Pack

In addition to the pictographs used in this manual, the labels on the charger and the battery pack may show the following pictographs:



Read instruction manual before use.



See **Technical Data** for charging time.



Do not probe with conductive objects.



Do not charge damaged battery packs.



Do not expose to water.



Have defective cords replaced immediately.



Charge only between 4 °C and 40 °C.



Only for indoor use.



Discard the battery pack with due care for the environment.

LI-ION



Charge DeWALT battery packs only with designated DeWALT chargers. Charging battery packs other than the designated DeWALT batteries with a DeWALT charger may make them burst or lead to other dangerous situations.



Do not incinerate the battery pack.



USE (without transport cap). Example: Wh rating indicates 108 Wh (1 battery with 108 Wh).



TRANSPORT (with built-in transport cap). Example: Wh rating indicates 3 x 36 Wh (3 batteries of 36 Wh).

### Battery Type

The DCM5713N, DCM5713X1 operates on a 54V(60V Max) battery pack.

These battery packs may be used: DCB181, DCB182, DCB183, DCB184, DCB203, DCB204, DCB205, DCB185, DCB186, DCB187, DCB189, DCB240, DCBP034, DCB546, DCB547, DCB548, DCB549, DCB606, DCB609, DCB612, DCB615. Refer to **Technical Data** for more information.

### Package Contents

The package contains:

- 1 Grass Trimmer
- 1 Guard
- 4 Guard screws
- 1 Nut wrench
- 1 Rod, lock
- 1 Strap
- 1 Li-Ion battery pack (C1, D1, L1, M1, P1, S1, T1, X1 models)
- 2 Li-Ion battery packs (C2, D2, L2, M2, P2, S2, T2, X2 models)
- 3 Li-Ion battery packs (C3, D3, L3, M3, P3, S3, T3, X3 models)
- 1 Charger
- 1 Instruction manual

**NOTE:** Battery packs, chargers and kitboxes are not included with N models. Battery packs and chargers are not included with NT models. B models include Bluetooth® battery packs.

- Check for damage to the tool, parts or accessories which may have occurred during transport.
- Take the time to thoroughly read and understand this manual prior to operation.

## Markings on Tool

The following pictograms are shown on the tool:



Read instruction manual before use.



Wear ear protection.



Wear eye protection.



Do not expose the tool to rain or high humidity or leave outdoors while it is raining.



Keep bystanders away.



## Date Code Position (Fig. A)

The date code **35**, which also includes the year of manufacture, is printed into the housing.

Example:

2022 XX XX

Year of Manufacture

## Description (Fig. A)

**WARNING:** Never modify the power tool or any part of it. Damage or personal injury could result.

- |                          |                           |
|--------------------------|---------------------------|
| 1 Variable speed trigger | 9 Pole bracket            |
| 2 Lock-off lever         | 10 Guard                  |
| 3 Handle                 | 11 Spool housing          |
| 4 Speed control switch   | 12 Battery housing        |
| 5 Auxiliary handle       | 13 Battery pack           |
| 6 Motor housing          | 14 Battery release button |
| 7 Upper trimmer pole     | 15 Strap mount            |
| 8 Lower trimmer pole     | 16 Strap                  |

## Intended Use

This Grass Trimmer is designed for professional trimming applications.

**DO NOT** use under wet conditions or in the presence of flammable liquids or gases.

This is not an edger and is not intended to be used for edging.

**DO NOT** let children come into contact with the tool.

Supervision is required when inexperienced operators use this tool.

## ASSEMBLY AND ADJUSTMENTS

**WARNING:** To reduce the risk of serious personal injury, turn tool off and disconnect battery pack before making any adjustments or removing/installing attachments or accessories. An accidental start-up can cause injury.

**WARNING:** Use only DeWALT battery packs and chargers.

## Inserting and Removing the Battery Pack from the Tool (Fig. B)

**NOTE:** Make sure your battery pack **13** is fully charged.

### To Install the Battery Pack into the Tool

1. Align the battery pack **13** with the rails inside the tool (Fig. B).
2. Slide it into the tool until the battery pack is firmly seated and ensure that you hear the lock snap into place.

### To Remove the Battery Pack from the Tool

1. Press the release button **14** and firmly pull the battery pack out of the tool handle (Fig. B).
2. Insert battery pack into the charger as described in the charger section of this manual.

## Fuel Gauge Battery Packs (Fig. B)

Some DeWALT battery packs include a fuel gauge which consists of three green LED lights that indicate the level of charge remaining in the battery pack.

To actuate the fuel gauge, press and hold the fuel gauge button **17**. A combination of the three green LED lights will illuminate designating the level of charge left. When the level of charge in the battery is below the usable limit, the fuel gauge will not illuminate and the battery will need to be recharged.

**NOTE:** The fuel gauge is only an indication of the charge left on the battery pack. It does not indicate tool functionality and is subject to variation based on product components, temperature and end-user application.

## Assembling the Pole (Fig. A, C)

1. To assemble the pole, line up the hole **18** in the lower trimmer pole **8** with the pin **19** on the pole bracket **9**.
2. Pull the pin out and slide the lower trimmer pole into the upper trimmer pole **7** as shown in Figure C.
3. Release the pin and ensure it fully engages the hole.
4. Secure the poles by tightening the bracket wingnut **20**.

## Attaching Auxiliary Handle (Fig. A, D)

1. Place the auxiliary handle **5** onto the upper trimmer pole **7** above the label placed in the middle of the pole.
2. Slide the bracket **21** of the auxiliary handle into the bottom of the handle.
3. Thread the handle bolts **22** through the bracket and into the handle.
4. Tighten the handle bolts with the wrench. Ensure the handle is securely attached.

If adjustment is necessary, loosen the handle bolts and slide the auxiliary handle up or down the trimmer pole. Then, retighten the bolts.


## Attaching Strap (Fig. A)

Hook the strap **16** to the strap mount **15** and place strap on one shoulder for extra support while using the trimmer or brush cutter.

## OPERATION

### Instructions for Use

 **WARNING:** Always observe the safety instructions and applicable regulations.

 **WARNING:** To reduce the risk of serious personal injury, turn tool off and disconnect battery pack before making any adjustments or removing/installing attachments or accessories. An accidental start-up can cause injury.

### Proper Hand Position (Fig. A, E)

 **WARNING:** To reduce the risk of serious personal injury, ALWAYS use proper hand position as shown.

 **WARNING:** To reduce the risk of serious personal injury, ALWAYS hold securely in anticipation of a sudden reaction.

Proper hand position requires one hand on the handle **3**, with the other hand on the auxiliary handle **5**.

### Switching On (Fig. A)

To turn the appliance on, push the lock off tab **34** forward, squeeze the lock-off lever **2**, and then squeeze the variable speed trigger **1**.

To turn the appliance off, release the variable speed trigger, the lock-off lever, and tab.

### Speed Control Switch (Fig. A)

This Grass Trimmer gives you the choice to operate at a more efficient speed to extend the runtime for larger jobs, or accelerate the trimmer speed for high-performance cutting.


To extend runtime, push the speed control switch **4** forward toward the auxiliary handle **5** into the "LO" position. This mode is best for larger projects that require more time to complete. To accelerate the trimmer, pull the speed control switch back toward the battery housing **12** into the "HI" position. This mode is best to cut through heavier growth and for applications that need higher RPM.

**NOTE:** When in "HI" mode, runtime will be decreased as compared to when trimmer is in "LO" mode.

### Trimming (Fig. A, E, F)

With the trimmer on, angle it and swing side to side as shown in Figure E.

Maintain a minimum distance of 610 mm between the guard and your feet as shown in Figure F.

 **WARNING:** Keep the rotating string roughly parallel with the ground (tilted no more than 30 degrees). This trimmer is not an edger. DO NOT TILT the trimmer so that the string is spinning near a right angle to the ground. Flying debris can cause serious injury.

### Jump Feed Trimmer Line Feed

Your trimmer uses 2.032 mm diameter nylon line. Cutting line will wear faster and require more feeding if the cutting is done along sidewalks or other abrasive surfaces or heavier weeds are being cut.

As you use the trimmer, the string will get shorter due to wear. Gently bump the trimmer on the ground while running at normal speed and the line will feed.

**NOTE:** Extending nylon line beyond the 330 mm swath will negatively affect performance, runtime, and the life of the trimmer due to potential of damaging motor. Doing so may void the warranty.

### Helpful Cutting Tips

- Use the tip of the string to do the cutting; do not force string head into uncut grass.
- Wire and picket fences cause extra string wear, even breakage. Stone and brick walls, curbs, and wood may wear string rapidly.
- Do not allow spool cap to drag on ground or other surfaces.
- In long growth, cut from the top down and do not exceed 304.8 mm high.
- Keep trimmer tilted toward the area being cut; this is the best cutting area.
- The trimmer cuts when passing the unit from the left to right. This will avoid throwing debris at the operator.
- Avoid trees and shrubs. Tree bark, wood moldings, siding, and fence posts can easily be damaged by the string.

### Replacement Accessories

 **WARNING:** To reduce the risk of serious personal injury, turn tool off and disconnect battery

**pack before making any adjustments or removing/installing attachments or accessories.** An accidental start-up can cause injury.

**⚠ WARNING:** *The use of any accessory not recommended by DeWALT for use with this appliance could be hazardous.*

**⚠ WARNING:** *Do not use any blades, or any accessory or attachment other than those recommended by DeWALT on this trimmer. Serious injury or product damage may result.*

Use DeWALT replacement line Model No. DT20650 (2 mm), DT20651 (2 mm), DT20652 (2.5 mm).

- For optimal performance, use Dewalt DT20650/51. DeWALT DT20652 can also be used but may degrade runtime of the trimmer. Using any other line with the trimmer can degrade performance and/or cause damage to the trimmer.

## Reloading the Cutting Line (Fig. G, H)

**⚠ WARNING:** *To reduce the risk of serious personal injury, turn tool off and disconnect battery pack before making any adjustments or removing/installing attachments or accessories. An accidental start-up can cause injury.*

**⚠ CAUTION:** *Use only DeWALT replacement spools and line. Using any other manufacturer's line can reduce performance, damage the trimmer or cause personal injury.*  
Your trimmer uses 2.032 mm diameter line, however a 2.413 mm line may be used as long as it is spiral-shaped with smooth, round edges, but may reduce runtime of the trimmer.

**⚠ CAUTION:** *To avoid appliance damage, if the cutting line protrudes beyond the trimming blade, cut it off so that it just reaches the blade.*

Use only DeWALT replacement line.

1. Remove battery.
2. Cut a max of 8 m length of trimmer line.
3. Align spool housing eyelets **23** with the arrow **24** on the spool head **25** as shown in Figure G.
4. Thread one end of the trimmer line through an eyelet. Guide the line through to the second eyelet and continue to pull the line through until there are equal lengths of string on each side of the spool housing as shown in Figure G.
5. Secure the spool cap **26** from moving with one hand. Using your other hand, wind the string onto the spool by rotating the spool head **25** counter clockwise as shown in

Figure H. Continue winding until 127 mm of string remain on each side of the spool housing.

## MAINTENANCE

Your DeWALT power tool has been designed to operate over a long period of time with a minimum of maintenance. Continuous satisfactory operation depends upon proper tool care and regular cleaning.

**⚠ WARNING:** *To reduce the risk of serious personal injury, turn tool off and disconnect battery pack before making any adjustments or removing/installing attachments or accessories. An accidental start-up can cause injury.*

1. Keep the air intake slots **27**, shown in Figure I, clean to avoid overheating.
2. Your trimmer line can dry out over time. To keep your line in top condition, store spare line in a plastic, sealable bag with a tablespoon of water.
3. Plastic parts may be cleaned by using a mild soap and a damp rag.
4. The line cutter on the edge of the guard can dull over time. It is recommended you periodically touch-up the sharpness of the blade with a file.

The charger and battery pack are not serviceable.

## Replacing Spool Assembly (Fig. A, J, K, L)

1. Rotate the spool housing **11** until the hole **28** in the spindle plate aligns with notch **29** in the guard. Insert a screwdriver through the notch and into the hole, to prevent the spindle from turning.
2. Unscrew and remove the spool housing by turning the spool head clockwise (Fig. J).  
**NOTE:** Do not try to remove the spool housing by turning the spool cap **26**.
3. Align the spindle plate hole and notch **29** insert a screwdriver back into the hole and thread the new spool housing counterclockwise. Securely tighten the new spool onto the bolt **30** protruding from the trimmer.

## Replacing Guard (Fig. L, M)

**⚠ WARNING:** *Never operate appliance without guard firmly in place. Damage or personal injury could result.*

1. Remove the spool housing as described in the **Replacing the Spool Housing** section.
2. Remove the 4 guard screws **31** shown in Figure L.
3. Lift the guard off at an angle as shown in Figure M.
4. To attached a new guard, slide the tab **32** of the new guard under the lip **33** of the motor housing **6**, then lower the back of the guard into place as shown in Figure M.
5. Replace and securely tighten the 4 guard screws **31**.
6. Replace the spool housing as described in the **Replacing the Spool Housing** section.

**!** **WARNING:** *Never operate appliance without guard firmly in place.*



## Lubrication

Your power tool requires no additional lubrication.



## Cleaning

**!** **WARNING:** *Blow dirt and dust out of the main housing with dry air as often as dirt is seen collecting in and around the air vents. Wear approved eye protection and approved dust mask when performing this procedure.*

**!** **WARNING:** *Never use solvents or other harsh chemicals for cleaning the non-metallic parts of the tool. These chemicals may weaken the materials used in these parts. Use a cloth dampened only with water and mild soap. Never let any liquid get inside the tool; never immerse any part of the tool into a liquid.*

## Optional Accessories

**!** **WARNING:** *Since accessories, other than those offered by DeWALT, have not been tested with this product, use of such accessories with this tool could be hazardous. To reduce the risk of injury, only DeWALT recommended accessories should be used with this product.*

Consult your dealer for further information on the appropriate accessories.

## Protecting the Environment



Separate collection. Products and batteries marked with this symbol must not be disposed of with normal household waste.

Products and batteries contain materials that can be recovered or recycled reducing the demand for raw materials. Please recycle electrical products and batteries according to local provisions. Further information is available at [www.2helpU.com](http://www.2helpU.com).

## Rechargeable Battery Pack

This long life battery pack must be recharged when it fails to produce sufficient power on jobs which were easily done before. At the end of its technical life, discard it with due care for our environment:

- Run the battery pack down completely, then remove it from the tool.
- Li-Ion cells are recyclable. Take them to your dealer or a local recycling station. The collected battery packs will be recycled or disposed of properly.

## After Service and Repair

DeWALT service centers are staffed with trained personnel to provide customers with efficient and reliable product service. We do not take any responsibility when you have repaired in unauthorized service center. You can refer to the leaflet of CONTACT CENTER LOCATOR in product package and contact us through hotline, website or social media to find the nearest DeWALT service center around you.

# 锂电无刷割草机

## DCM5713

### 恭喜!

感谢您选购DEWALT工具。凭借多年的产品开发和创新能力，DEWALT已经成为专业电动工具用户最可靠的合作伙伴之一。

### 技术数据

DCM5713N裸机。

DCM5713X1配有电池 (DCB547) 和充电器 (DCB118)。

DCM5713		
电压	V <sub>DC</sub>	54V(60V Max)
转速	/min	0-5100 / 0-5500
割草范围	mm	380
重量 (无电池包)	kg	4.2



**警告:** 为降低伤害风险, 请阅读使用手册。

### 定义: 安全指南

下列定义描述了各标志术语的严重程度。请仔细阅读本手册, 并注意这些标志。

**危险:** 表示存在紧急危险情况, 如果不加以避免, 将导致死亡或严重伤害。

**警告:** 表示存在潜在的危險情况, 如果不加以避免, 可能导致死亡或严重伤害。

**小心:** 表示存在潜在危險情况, 如果不加以避免, 可能导致轻度或中度伤害。

**注意:** 表示存在不涉及人身伤害的情况, 如果不加以避免, 可能导致财产损失。

**警告:** 表示存在触电风险。

**警告:** 表示存在火灾风险。

### 安全说明

**警告:** 在使用以市电供电的设备时, 务必遵循包括以下内容在内的基本安全注意事项, 以减少发生火灾、电击、人身伤害和材料损坏的风险。

**警告:** 使用机器时, 必须遵守安全规则。为了您和旁观者的安全, 请在操作机器前阅读本说明书。请妥善保管说明书, 以便日后使用。

电池				充电器/充电时间(分钟)						
Cat#	V <sub>DC</sub>	Ah	Weight(kg)	DCB104	DCB107	DCB112	DCB115	DCB117 DCB1112	DCB118	DCB132
DCB546/DCB606	18/54 (20/60 Max)	6.0/2.0	1.08	60	270	170	90	40	60	90
DCB547/DCB609	18/54 (20/60 Max)	9.0/3.0	1.46	75*	420	270	135*	60	75*	135*
DCB548/DCB612	18/54 (20/60 Max)	12.0/4.0	1.46	120	540	350	180	80	120	180
DCB549/DCB615	18/54 (20/60 Max)	15.0/5.0	2.12	125	730	450	230	90	125	230
DCB180	18 (20 Max)	3.0	0.62	45	140	90	45	45	45	45
DCB181	18 (20 Max)	1.5	0.35	22	70	45	22	22	22	22
DCB182/DCB204	18 (20 Max)	4.0	0.61	60/40**	185	120	60	60/40**	60/40**	60
DCB183/DCB203	18 (20 Max)	2.0	0.40	30	90	60	30	30	30	30
DCB184/DCB205	18 (20 Max)	5.0	0.62	75/50**	240	150	75	75/50**	75/50**	75
DCB185	18 (20 Max)	1.3	0.35	22	60	40	22	22	22	22
DCB187	18 (20 Max)	3.0	0.54	45	140	90	45	45	45	45
DCB189/DCB240	18 (20 Max)	4.0	0.54	60	185	120	60	60	60	60
DCB186	18 (20 Max)	6.0	0.95	60	270	170	90	60	60	90
DCB208	18 (20 Max)	8.0	0.95	70	360	240	120	70	70	120
DCBP034	18 (20 Max)	1.7	0.32	27	82	50	27	27	27	27

\*日期码 201811475B 或以后

\*\*日期码 201536 或以后



- 操作设备之前，请仔细阅读本手册的全部内容。
- 本手册中对预期用途进行了说明。使用本设备的任何配件或附件，或对本设备进行本说明书中建议以外的任何操作，都存在可能造成人身伤害的风险。
- 请保留本手册以备将来查阅。

## 重要事项

使用前请仔细阅读

保留本手册以备将来查阅

## 安全操作方法

### 培训

- 请仔细阅读说明书。熟悉机器的控制和正确使用方法。
- 切勿让儿童或不熟悉本说明书的人员使用该机器。当地法规可限制操作者的年龄。
- 应谨记，操作者或使用者对发生在其他人或其财产上的事故或危险负责。

### 准备工作

- 使用前，务必目视检查机器的防护罩或防护板是否受损、缺失或放错位置。
- 当有人员（特别是儿童）或宠物在附近时，请勿操作机器。

### 操作

- 操作机器时，务必佩戴护目装备并穿结实的鞋子。
- 避免在恶劣的天气条件下使用机器，尤其是存在闪电的风险时。
- 仅在白天或具备良好的人工光线的情况下使用机器。
- 请勿在防护罩或防护板受损或没有防护罩或防护板的情况下操作机器。
- 只有当手脚远离切割工具时，才能启动电机。
- 在以下情况下，务必将机器断开电源（即从市电上拔下插头，取下禁用装置或可拆卸式电池）
  - 在机器无人看管时；
  - 清理堵塞物之前；
  - 检查、清洁或在机器上作业之前；
  - 碰到异物后；
  - 当机器开始异常振动时。
- 注意防止切割工具对手脚造成伤害。
- 务必确保通风口无杂物。
- 清除任何可能导致反冲的物体，如树枝和石块。
- 检查是否有紧固件松动和部件受损，如切割附件中的裂缝。

### 维护和储存

- 进行维护或清洁作业之前，应断开机器的电源（即从市电上拔下插头，取下禁用装置或可拆卸式电池）。
- 仅使用制造商推荐的替换零件和配件。
- 定期检查和维护机器。仅由授权的维修人员维修机器。

- 不使用，将机器存放在儿童接触不到的位置。
- 运输和储存期间，对金属刀片使用刀片套。
- 储存前进行清洁，包括在带金属刀片的切割附件上使用防护罩。

## 割草机的其他安全说明

**警告：** 电机关闭后，切割元件会继续旋转。

- 请穿长裤，以保护腿部。
- 使用设备之前，请检查并确保切割路径上没有树枝、石头、铁丝和任何其他障碍物。
- 仅可以直立位置使用设备，使切割线靠近地面。请勿以任何其他位置启动设备。
- 使用设备时应缓慢移动。请注意刚割过的草较为湿滑。
- 请勿在陡峭的斜坡上作业。在斜坡上作业时，应横向来回穿过斜坡表面，而非上下下下。
- 请勿在设备运行的情况下穿过碎石小路或道路。
- 请勿在设备运行时触摸切割线。
- 在切割线完全静止之前请勿放下设备。
- 仅使用适当类型的切割线。切勿使用金属切割线或钓鱼线。
- 务必使手脚远离切割线和刀片，尤其是在启动电机时。
- 使用设备之前和受到任何冲击之后，应检查是否有磨损或损坏的迹象，并在必要时进行维修。
- 注意避免被任何用于修剪丝线长度的装置弄伤。延长新的切割线后，务必将机器恢复到正常工作位置，然后再启动。
- 当设备在儿童附近使用时，必须严加看管。
- 在没有他人监督的情况下，年幼或体弱者不适宜使用本产品。
- 本设备不能作为玩具使用。
- 仅可在干燥的区域使用。请勿让设备受潮。
- 请勿将设备浸泡在水中。
- 请勿打开机身外壳。内部没有可由用户维修的部件。
- 不要在易爆环境，如有易燃液体、气体或粉尘的环境下操作本设备。
- 在车辆中存放或运输设备时，应将其放置在后备箱中或进行固定，以防在车辆的速度或方向突然改变时设备发生移动。
- 设备不用时应存放在干燥、通风且儿童无法接触的位置。
- 儿童不得接触到存放的设备。

### 他人的安全

- 本设备不适用于身体、感官或精神能力较弱或缺乏经验和知识的人员（包括儿童），除非有负责其安全的人员监督或指导其使用本设备。
- 必须看管好孩子，以确保他们不将此设备当做玩具来玩。

### 剩余风险

为确保您在斜坡上便于落脚，请勿过度伸长。始终保持平衡。始终步行，不要奔跑。

使用该工具时可能会出现未包括在所附安全警告中的其他剩余风险。这些风险可能因误操作、长时间使用等所致。

即使遵守了相关的安全法规并采用了安全装置,某些剩余风险仍无法避免。这些剩余风险包括:

- 触摸任何旋转/移动的部件造成的人身伤害。
- 更换任何零件、锯片或配件时造成人身伤害。
- 长时间使用工具而造成人身伤害。长时间使用任何工具时,确定定期休息。
- 听力损伤。
- 使用工具时吸入粉尘(例如处理木材,尤其是橡木、榉木和中密度纤维板时产生的粉尘)造成的健康危害。

## 电气安全

电机只适用一种工作电压。请务必检查电池包的电压是否和铭牌上的电压一致。



DEWALT 充电器符合 IEC60335 双重绝缘要求,因此无需使用接地线。

如果电源线损坏,必须用DEWALT维修机构提供的专门准备的电源线进行替换。

### 使用延长线

除非绝对必要,否则请勿使用延长线。使用适合您的充电器输入功率的合格延长线(请参阅**技术数据**)。最小的导线尺寸为1 mm<sup>2</sup>;最大长度为30 m。

使用电缆卷筒时,请务必拉出所有的电缆。

**请妥善保管好这些说明**

## 充电器

DEWALT 充电器无需做出任何调整,专为简易操作而设计。

### 针对所有电池充电器的重要安全说明

**请妥善保管好这些说明:** 本手册包含重要的兼容电池充电器安全和操作说明(请参阅**技术数据**)。

- 在使用充电器之前,请先阅读所有指示以及充电器、电池包和使用电池包的产品上的警告标记。

**警告:** 电击危险。请勿让任何液体进入充电器,否则可能会导致触电。

**警告:** 我们建议使用漏电保护额定电流为30毫安或以下的漏电保护装置。

**小心:** 烧伤危险。为降低人身伤害风险,请仅使用DEWALT 充电式电池充电。使用其它类型的电池可能会引起爆裂,并导致人身伤害和损害。

**小心:** 应看管好儿童,以确保他们不将此设备当做玩具来玩。

**注意:** 在某些情况下,当充电器的插头插入电源插座时,充电器内部裸露的充电接触点可能因为外来物件而短路。请勿让能导电的异物靠近充电器腔,这些外来物件包括但不限于钢棉、铝箔或任何金属颗粒的堆积物。充电器内没有电池包时,请断开充电器与电源的连接。清洗前,务必拔掉充电器。

- 请勿试图使用本手册指定的充电器以外的其他任何充电器为电池包充电。充电器和电池包都是专门设计的,互相配合使用。
- 除了为 DEWALT 充电式电池充电以外,这些充电器并非设计用于其他用途。否则,可能会导致火灾、触电或电击。
- 请勿将充电器暴露于雨中或雪中。
- 断开充电器连接时,应捏住插头将其拔出,而非通过拉拽电源线拔下插头。这将降低对电插头和电线的损害风险。
- 确保电源线布置在不易踩踏、踢绊、拉扯或会受到损害或压力的位置。
- 除非绝对必要,否则请勿使用延长线。使用不正确的延长线可能导致火灾、触电或电击的风险。
- 请勿将任何物件放在充电器上面,或是把充电器放在可能会堵住通风槽的柔软表面,导致充电器的内部过热。请把充电器放置在远离任何热源的地方。充电器通过外壳顶端和底端的槽进行通风。
- 请勿使用电源线或插头已损坏的充电器,请立即更换这些充电器。
- 如果充电器受到强烈重击、掉落或出现其他损坏情况,请勿使用充电器。请将损坏的充电器送到授权服务中心。
- 请勿自行拆卸充电器。请将需要检修或修理的充电器送到授权服务中心。重装不正确可能导致触电、电击或火灾风险。
- 必须立即将已损坏的电源线交由制造商、服务代理或类似的合格人员进行更换以防止安全隐患。
- 清洁前,请先断开充电器和插座的连接,以降低触电风险。取出电池包不会降低此风险。
- 不得将两个充电器连接在一起。
- 充电器是为220V的标准家用电源而设计。请勿试图在任何其他电压下使用充电器。此规则不适用于车载充电器。

### 为电池充电(图 B)

1. 插入电池包前,先将充电器的插头插到相应的电源插座上。
2. 将电池包 **13** 插入充电器中,确定电池包完全就位。红色(充电中)指示灯将不断闪烁,表示充电过程已经开始。
3. 灯持续常亮表示充电完成。电池包已充满电,此时可使用或留在充电器中。要从充电器上取下电池包,请按电池包上的电池释放按钮 **14**。

**注意:** 为了确保锂离子电池的效能和使用寿命最大化,在首次使用电池包之前必须将其完全充电。

## 充电器操作

关于电池包的充电状态，请参阅以下指示灯说明。

### 充电状态指示灯



\*红色指示灯会继续闪烁，但黄色指示灯在本次操作过程中会亮起。电池包达到适当温度后，黄色指示灯会熄灭，充电器将恢复充电程序。

兼容充电器不会对故障电池包充电充电器指示灯不亮时表示电池有故障。

**注意：**这可能也表示充电器有问题。

如果充电器提示存在故障，请将充电器和电池包送到授权的服务中心进行测试。

### 热/冷电池组延迟

当充电器检测到电池包过热或过冷时，它会启动热/冷电池延迟模式，暂停充电，直到电池包达到适当的温度。然后，充电器会自动切换到电池包充电模式。此功能可确保电池包拥有最长的使用寿命。

冷电池包充电速度比热电池包充电速度慢。电池包在整个充电周期的充电速度都会较慢，即使电池包升温也不会恢复到最大速度。

DCB118充电器配备了内部风扇，用于冷却电池包。当电池包需要冷却时，该风扇会自动启动。如果风扇无法正常工作或通风槽被堵塞，切勿操作充电器。请勿让异物进入充电器的内部。

### 电子保护系统

XR锂离子电池工具采用了电子保护系统设计，可让电池包免受过载、过热或过度放电之害。

如果电子保护系统处于运作状态，该工具将自动停止操作。如果发生这种情况，请将锂离子电池包放在充电器上，直至其完全充电。

### 壁挂式安装

这些充电器设计为可以安装在墙上，也可以直立在桌面或工作台上。如果安装在墙上，请确保充电器的位置可以连接到电源插座，并且远离墙角或其他可能妨碍空气流通的障碍物。将充电器背面作为在墙上安装螺丝的位置模板。使用至少 25.4 毫米长、螺丝帽直径至少 7-9 毫米的石膏板螺丝（单独购买）牢牢固定充电器，将螺丝最大限度打入木材，预留约 5.5 毫米露在墙外。将充电器背面的安装槽对准露出的螺丝，完全放置到位。

### 充电器清洁说明

**警告：**电击危险。清洁前，请将充电器从交流电源插座上拔下。可用布或非金属软刷清除充电器外部的污垢和油脂。请勿使用水或任何清洁剂。不得让任何液体渗入工具，不得让工具的任何部件浸在液体中。

## 电池包

### 针对所有电池包的重要安全说明

在订购更换电池包时，请务必附上目录型号和电压。

包装箱内的电池包并未完全充电。使用电池包和充电器之前，请阅读下列安全说明，然后遵循所述的充电程序。

#### 请阅读所有说明

- 请勿在易爆环境，如有易燃液体、气体或粉尘的环境中充电或使用电池。在充电器中插入或取出电池时可能会点燃粉尘或气体。
- 不得强行将电池放进充电器。请勿以任何方式改装电池包并将电池包插入不兼容的充电器，这种操作可能会导致电池包破裂，造成严重的人身伤害。
- 只使用 DEWALT 充电器为电池充电。
- 请勿喷溅电池包或将其浸泡在水或其他液体中。
- 请勿在温度可能达到或超过 40°C (104°F) 的地方（如夏天户外的棚子或金属建筑物中）存储或使用工具和电池包。
- 即使电池包严重受损或完全损坏，也请勿焚化电池包。电池包在火中会发生爆炸。锂离子电池包在燃烧时会释放有毒气体和物质。
- 如果电池液体接触到皮肤，请立即以中性肥皂和清水冲洗接触的地方。如果电池液体不慎进入眼睛，应睁开眼睛并用清水冲洗至少 15 分钟或直到刺激感消失。如果需要医疗救助，请告知医护人员。电池电解质由液状有机碳酸盐和锂盐的混合物组成。
- 已打开电池的**内部物质可能导致呼吸道刺激。请保持空气流通。**如果症状持续存在，请就医。

**警告：** 烧伤危险。电池液如果接触到火花或火焰可能会燃烧。

**警告：** 不得以任何理由试图打开电池包。电池包外壳破裂或损坏时，请勿将电池包插入充电器。请勿挤压、掉落或损坏电池包。请勿使用受过强烈重击、掉落、碾压或以任何其它方式（如被钉子穿破、受到锤子的重击、踩踏）受损的电池包或充电器。否则可能会引起触电或电击。损坏的电池包应送回服务中心进行回收。

**警告：** 火灾危险。请勿在存储或搬运电池包时让金属物品接触暴露的电池两极。例如，请勿将电池包放在围裙、口袋、工具箱、产品套件盒、抽屉等可能与螺钉、螺丝、钥匙等物品接触的地方。

**小心：** 不使用时，应将工具侧放在稳定的表面上，以免造成绊倒或坠落的危险。一些带有大型电池包的工具有可能直立在电池包上，但可能很容易被撞倒。

运输



**警告：**

**火灾危险。** 电池运输途中, 如果电池两极意外接触导电材料, 可能会引发火灾。运输电池时, 务必保护电池两极, 确保与可能接触电池导致短路的材料良好绝缘。

**注意:** 不应将锂离子电池放入托运行李中。

DeWALT 电池符合所有适用的行业和法律标准规定的运输规范, 包括《联合国危险品运输建议规章范本》(UN Recommendations on the Transport of Dangerous Goods)、《国际航空运输协会 (IATA) 危险品规则》(International Air Transport Association (IATA) Dangerous Goods Regulations)、《国际海运危险品 (IMDG) 规则》(International Maritime Dangerous Goods (IMDG) Regulations) 和《欧洲危险货物国际公路运输协定》(European Agreement Concerning The International Carriage of Dangerous Goods by Road) (ADR)。离子电池和电池包已遵循《联合国危险品运输建议规章范本手册》第38.3节关于测试和标准的说明通过测试。

大多数情况下, 发运DeWALT电池包不属于完全管制的9类危险品。通常情况下, 只有当运输包含一个能量等级大于100瓦时 (Wh) 的锂离子电池时, 才需要作为完全管制的9类危险品发运。所有锂离子电池外壳上均标注有瓦时等级。此外, 由于法规比较复杂, 无论瓦时等级是多少, DeWALT都不建议单独空运锂离子电池包。发运包含电池的工作(组合套件)时, 如果电池包的能量等级不大于100瓦时 (Wh), 则可以按计划空运。

无论发运是否纳入完全管制范围内, 运输公司均有责任遵循最新法规中关于包装、标签/标记和单据的要求。本手册本节的信息是出于善意提供, 且认为在编制文档时准确无误。不提供明示或暗示的担保。购买方负有确保其行为遵守适用法规的责任。

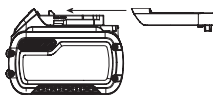
**运输FLEXVOLT™ 电池**

DeWALT FLEXVOLT™ 电池有两种模式：**使用和运输**。

**使用模式:** 当FLEXVOLT™ 电池单独使用或置于DeWALT 18V (20V Max) 产品中时, 将作为18V (20V Max) 电池运行。当FLEXVOLT™ 电池在54V (60V Max) 或108V (120V Max) (两块54V (60V Max) 电池) 产品中时, 其将作为54V (60V Max) 电池运行。

**运输方式:** 当盖子连接到FLEXVOLT™ 电池时, 电池处于运输模式。盖住盖子以便进行运输。

处于运输模式时, 断开电池包的电源会产生3个瓦特小时额定值 (Wh) 较低的电池, 和1个瓦特小时额定值较高的电池。这种增加的3个瓦特小时额定值较低的电池可使电池包免于遵守某些对高瓦特小时电池施加的运输规定。



例如, 运输Wh额定值可能表示为3 x 36 Wh, 即每节36 Wh的3节电池。使用Wh额定值可能表示108Wh (1个电池)。

**存放建议**

1. 最好将电池存放在阴凉、干燥、远离阳光直射、不会过热或过冷的地方。为了获得最佳的电池性能和使用寿命, 请您在不使用电池包时将其存储在室温下。

2. 长期存储时, 建议将完全充电的电池包从充电器取出, 存储在阴凉、干燥的地方, 以达到最佳效果。

使用和运送标签标记示例



**注意:** 电池包不应在电池已完全耗尽的状态下存放。使用电池包之前, 必须重新为电池包充电。

**充电器和电池包上的标签**

除了在本手册中所使用的标志, 充电器和电池包的标签还包括:



使用前请阅读使用手册。



如需了解充电时间详细信息, 请参阅**技术数据**。



请勿使用导电物体戳刺。



请勿对损坏的电池包充电。



请勿将其暴露于水中。



应立即更换有缺陷的电线。



请只在4°C和40°C之间的温度下充电。



只能在室内使用。



弃置电池包时, 请妥善处理以保护我们的环境。

LI-ION



只使用 DeWALT 充电器为电池充电。使用 DeWALT 充电器为非 DeWALT 电池充电可能会导致电池爆炸或出现其他危险情况。



请勿焚化电池包。



使用 (不含运输盖) 示例: Wh 额定值表示 108Wh (1个108Wh的电池)。



运输 (带内置运输盖)。示例: Wh 额定值表示 3 x 36 Wh (3个36 Wh的电池)。

## 电池类型

DCM5713N、DCM5713X1使用54V (60V Max) 的电池包。  
可使用这些电池包：DCB181、DCB182、DCB183、DCB184、DCB203、DCB204、DCB205、DCB185、DCB186、DCB187、DCB189、DCB240、DCBP034、DCB546、DCB547、DCB548、DCB549、DCB606、DCB609、DCB612、DCB615。更多信息，请参考**技术数据**。

## 包装内的物品

包装中包含：

- 1个 割草机
- 1个 防护罩
- 4个 防护罩螺丝
- 1个 螺母扳手
- 1个 锁定杆
- 1个 绑带
- 1个 锂离子电池包 (C1、D1、L1、M1、P1、S1、T1、X1型号)
- 2个 锂离子电池包 (C2、D2、L2、M2、P2、S2、T2、X2型号)
- 3个 锂离子电池包 (C3、D3、L3、M3、P3、S3、T3、X3型号)
- 1个 充电器
- 1本 使用手册

**注意：**电池包、充电器和工具箱没有随N型号附送。电池包和充电器没有随NT型号附送。B型号包括Bluetooth® 电池包。

- 检查工具、部件或附件是否在运输过程中损坏。
- 操作前，请抽空仔细阅读并掌握**使用手册**。

## 工具上的标记

工具上印有下列图形：



使用前请阅读使用手册。



请佩戴听力保护器。



请佩戴护目装备。



请勿将工具暴露在雨中或高湿度环境中，也不要下雨时将工具放在室外。



使旁观者远离工具。



## 日期代码位置(图A)

包含制造年份的日期码 **35**，打印在工具外壳上。示例：

2022 XX XX  
制造年份

## 说明(图A)

**警告：**不得改装本电动工具或其任何部件，否则可能会导致损坏或人身伤害。

- |           |           |
|-----------|-----------|
| 1 无级变速开关  | 9 杆托架     |
| 2 安全开关    | 10 防护罩    |
| 3 手柄      | 11 线轴外壳   |
| 4 高速/低速档位 | 12 电池外壳   |
| 5 辅助手柄    | 13 电池包    |
| 6 电机外壳    | 14 电池释放按钮 |
| 7 割草机上杆   | 15 绑带底座   |
| 8 割草机下杆   | 16 绑带     |

## 设计用途

本款割草机适用于专业修剪应用。

请勿在潮湿环境中，或在存在易燃液体或气体的环境中使用本工具。

它不是修边机，不适合用于修边。

请勿让儿童接触本工具。缺乏经验的操作员需要在监督下使用本工具。

## 组装与调整

**警告：**为降低严重的人身伤害风险，在进行任何调整或取出/安装附件或配件之前，请关闭工具并断开电池包连接。意外启动工具可能会造成伤害。

**警告：**仅使用 DeWALT 电池包和充电器。

## 插入或取出工具上的电池包(图B)

注意：确保电池包 **13** 充满电。

### 将电池包安装到工具中

- 将电池包 **13** 对准工具内的轨道(图B)。
- 将电池包滑入工具内，使其牢牢地固定在工具内，并确保您听到其锁定到位的声音。

### 从工具中取出电池包

- 按下释放按钮 **14**，将电池包从工具握柄(图B)中用力拉出。
- 按本手册充电器部分所述将电池包插入充电器中。

### 电池包电量计(图B)

一些 DeWALT 电池包带有一个包含三个绿色 LED 指示灯的电量计，用于指示电池包内的剩余电量。

按下电量计按钮 **17** 不松开，即可启动电量计。三个绿色LED指示灯将以组合方式亮起，以指示剩余电量。当电池内的电量低于可用限制时，电量计将不会亮起，电池将需要重新充电。

**注意：**电量计仅指示电池包的剩余电量。它并不表示该工具的功能，且将根据产品组件、温度和最终使用者的使用情况而有所不同。

## 装配杆(图A、C)

1. 装配杆时,将割草机下杆 8 的孔 18 与杆托架 9 上的销 19 对齐。
2. 如图C所示,将销拉出,将割草机下杆滑入割草机上杆 7。
3. 松开销,确保其完全插入孔中。
4. 拧紧托架翼形螺母 20,将杆固定。

## 安装辅助手柄(图A、D)

1. 将辅助手柄 5 置于割草机上杆 7 上,使其位于杆中间的标签上方。
2. 将辅助手柄的托架 21 滑入手柄底部。
3. 将手柄螺栓 22 穿过托架并插入手柄。
4. 用扳手拧紧手柄螺栓。确保手柄安装牢固。

如果需要调整,松开手柄螺栓,将辅助手柄在割草机杆上向上或向下滑动。然后,重新紧固螺栓。

## 安装绑带(图A)

将绑带 16 钩在绑带底座 15 上,在使用割草机或灌木铲除机时,将绑带置于一个肩膀上,以获得额外支撑。

## 操作

### 使用说明

**警告：** 务必遵守安全指示和适用法规。

**警告：** 为降低严重的人身伤害风险,在进行任何调整或取出/安装附件或配件之前,请关闭工具并断开电池包连接。意外启动工具可能会造成伤害。

### 正确的双手放置位(图A、E)

**警告：** 为了减低严重人身伤害的风险,请务必如图示那样正确放置双手。

**警告：** 为了减低造成严重人身伤害的风险,预期有突然反作用力时**务必**握紧。

正确的双手放置位要求一只手放在手柄 3 上,另一只手放在辅助手柄 5 上。

### 启动(图A)

如要启动设备,将锁片 34 向前推,挤压锁闭杆 2,然后挤压变速触发器 1。

如要关闭设备,松开变速触发器、锁闭杆和锁片。

### 速度控制开关(图A)

本款割草机可让您选择以更有效的速度运行,以延长较大规模作业的运行时间,或者加快割草机的速度以实现高性能切割。

要延长运行时间,将高速/低速档位 4 往辅助手柄 5 和“LO”位置的方向推。该模式最适合需要更长时间才能完成的较大作业项目。

如要加快割草机的速度,将高速/低速档位推至“HI”位置,即往电池外壳 12 的方向拉回。该模式最适合切割较茂密的生长物和需要较高转速的应用。

**注意:**当割草机处于“HI”模式时,与“LO”模式相比运行时间会缩短。

### 割草(图A、E、F)

当割草机启动时,如图E所示,将其倾斜并向两侧摆动。

如图F所示,在防护罩和您的双脚之间保持至少610 mm 的距离。

**警告：** 使旋转的线与地面大致平行(倾斜不超过30°)。该割草机不是修边机。请勿将割草机倾斜,使线以与地面接近直角的角度旋转。飞出的碎片会造成严重伤害。

### 碰撞进线割草机的进线

您的割草机使用直径2.032 mm的尼龙线。如果沿着人行道或其他磨蚀性表面进行切割,或切割较茂密的杂草,切割线会磨损得更快,需要更多进线。

在您使用割草机时,线会因磨损而变短。以正常速度运行时,在地面上轻轻碰撞割草机就会进线。

**注意:**将尼龙线延伸到330 mm割幅的范围之外会对性能、运行时间和割草机的寿命产生不利影响,因为有可能损坏电机。这可能会导致保修失效。

### 实用的切割技巧

- 使用线的尖端进行切割;请勿将线头强行插入未切割的草。
- 铁丝和栅栏会加剧线的磨损,甚至导致线断裂。石墙和砖墙、路缘石和木材可能会使线迅速磨损。
- 请勿将线轴盖拖在地面或其他表面上。
- 如果草较高,从上往下割,高度不要超过304.8 mm。
- 使割草机向被割的区域倾斜;这是最佳切割区域。
- 割草机在从左到右通过时进行切割。这将避免将碎屑抛到操作者身上。
- 避开树木和灌木。树皮、木模、壁板和栅栏杆很容易被线损坏。

### 替换配件

**警告：** 为降低严重的人身伤害风险,在进行任何调整或取出/安装附件或配件之前,请关闭工具并断开电池包连接。意外启动工具可能会造成伤害。

**警告：** 使用DEWALT未推荐用于本设备的任何配件均可能造成危险。

**警告：** 请勿在本割草机上使用DEWALT未推荐的任何刀片、配件或附件。可能会造成严重的人身伤害或产品损坏。

使用DEWALT替换线,型号为DT20650(2 mm)、DT20651(2 mm)、DT20652(2.5 mm)。

如需要最佳性能, 请使用Dewalt DT20650/51。也可使用DEWALT DT20652, 但割草机的运行时间会有缩短。在割草机上使用任何其他切割线都会降低性能和/或导致割草机损坏。

## 重新装入切割线(图G、H)

**警告：** 为降低严重的人身伤害风险, 在进行任何调整或取出/安装附件或配件之前, 请关闭工具并断开电池包连接。意外启动工具可能会造成伤害。

**小心：** 仅可使用DEWALT的替代线轴和线。使用任何其他制造商的线会降低性能, 损坏割草机或造成人身伤害。您的割草机使用直径为2.032 mm的线, 但也可使用2.413 mm的线, 只要其是螺旋形, 带有光滑、圆形的边缘, 但这可能会缩短割草机的运行时间。

**小心：** 为避免设备损坏, 如果切割线突出于修剪刀片之外, 请将其切断, 使其刚好到达刀片处。

仅可使用DEWALT的替换线。

1. 取出电池。
2. 剪一段最长为8 m的割草机线。
3. 如图G所示, 将线轴外壳孔眼 **23** 与线轴头 **25** 上的箭头 **24** 对齐。
4. 将割草机线的一端穿过孔眼。将线穿过第二个孔眼, 继续拉动线, 直到线轴外壳每一侧的线长度相等, 如图G所示。
5. 用一只手固定线轴盖 **26**, 使其不移动。如图H所示, 用另一只手逆时针旋转线头 **25** 次, 将线头绕到线轴上。继续绕线, 直到线轴外壳两侧各留127mm。

## 维护

您的DEWALT电动工具设计精良, 可以长期使用, 仅需极少维护。若要持续令人满意的工作效果, 则需对工具进行适当的保养和定期清洁。

**警告：** 为降低严重的人身伤害风险, 在进行任何调整或取出/安装附件或配件之前, 请关闭工具并断开电池包连接。意外启动工具可能会造成伤害。

1. 保持进气槽 **27** (如图H所示) 的清洁, 以避免过热。
2. 割草机线会逐渐变干。为了使线保持最佳状态, 将备用线放在可密封的塑料袋中, 并加入一汤匙的水。
3. 塑料部件可用温和的肥皂和湿抹布进行清洁。
4. 防护罩边缘的线切割器会逐渐变钝。建议定期用锉刀修整刀片的锋利度。

充电器和电池包无法维修。

## 更换线轴组件(图A、J、K、L)

1. 转动线轴外壳 **11**, 直到主轴板上的孔 **28** 与防护罩上的凹槽 **29** 对齐。将一把螺丝刀穿过凹槽并插入孔中, 以防止主轴转动。
2. 顺时针转动线轴头, 拧开并卸下线轴外壳(图J)。  
**注意:** 请勿试图转动线轴盖 **26** 来拆卸线轴外壳。
3. 对准主轴板孔和凹槽 **29**, 将螺丝刀插回孔中, 逆时针拧上新的线轴外壳。将新线轴牢固拧紧在从割草机上伸出的螺栓 **30** 上。

## 更换防护罩(图L、M)

**警告：** 切勿在防护罩未牢固安装的情况下操作设备。否则可能会导致损坏或人身伤害。

1. 按照 **更换线轴外壳** 章节中所述, 卸下线轴外壳。
2. 卸下图L中所示的4个防护罩螺丝 **31**。
3. 如图M所示, 以一定角度提起防护罩。
4. 若要安装新的防护罩, 将新防护罩的锁片 **32** 滑到电机外壳 **6** 的边缘 **33** 下方, 然后将防护罩的背面降到合适的位置, 如图M所示。
5. 更换并牢固拧紧4个防护罩螺丝 **31**。
6. 按照 **更换线轴外壳** 章节中所述, 更换线轴外壳。

**警告：** 切勿在防护罩未牢固安装的情况下操作设备。



### 润滑

本电动工具无需另行润滑



### 清洁

**警告：** 一旦看到通风口及其周围积聚了尘屑, 请用干燥的空气将灰尘和尘屑从主机外壳内吹出。执行此过程时, 需戴上经认可的护目装备和防尘面具。

**警告：** 不得使用溶剂或其它刺激性化学制品来清洁工具的非金属部件。这些化学物质可能会削弱这些部位使用的材料。请用布蘸温和的肥皂水擦拭。不得让任何液体渗入工具, 不得让工具的任何部件浸在液体中。

## 可选配件

**警告：** 除了 DEWALT 提供的附件之外, 其他附件都未经此产品兼容性测试, 若将此类附件与本工具一起使用将存在安全隐患。为降低人身伤害风险, 本产品只可使用 DEWALT 推荐的附件。请向您的经销商咨询更多关于合适附件的信息。

## 保护环境



分类回收。由此符号标记的产品和电池不得与普通家庭垃圾一起处理。

产品和电池包含可恢复或回收的材料，从而降低对原材料的需求。请根据当地规定回收电子产品和电池。要获得更多信息，请参看[www.2helpU.com](http://www.2helpU.com)。

## 充电式电池包

本电池包使用寿命长，不能提供顺利完成工作所需的电力时，必须进行充电。电池技术寿命结束时，请妥善处理以保护环境：

- 耗尽电池包的电力，然后将其从工具上拆下。
- 锂离子电池可回收。请将它们送往您的经销商处或当地的回收站。回收的电池包将被妥善循环使用或处理。

## 售后服务和维修

DEWALT维修中心拥有经过培训的人员，能够为顾客提供高效、可靠的产品服务。如果您通过未获授权的维修中心进行维修，我们不会承担任何责任。您可以参见产品包装中的“联系中心定位器”宣传单页，通过热线电话、网站或社交媒体联系我们，找到距离您最近的DEWALT服务中心。

制 造 商：百得美国公司  
地 址：701 E Joppa Rd, TW050 MD21286,  
Towson, 美国  
产 地：江苏苏州





