

---

**DEWALT®**

---

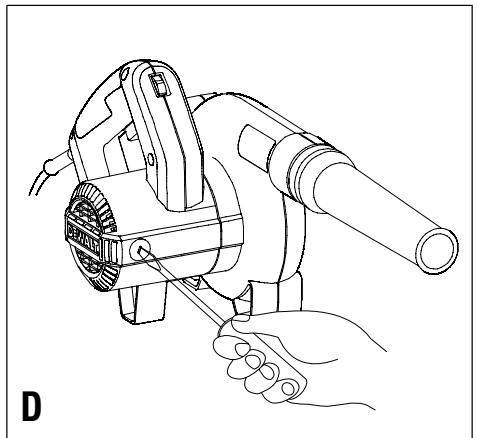
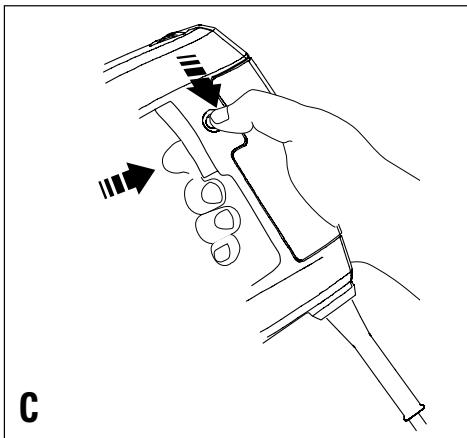
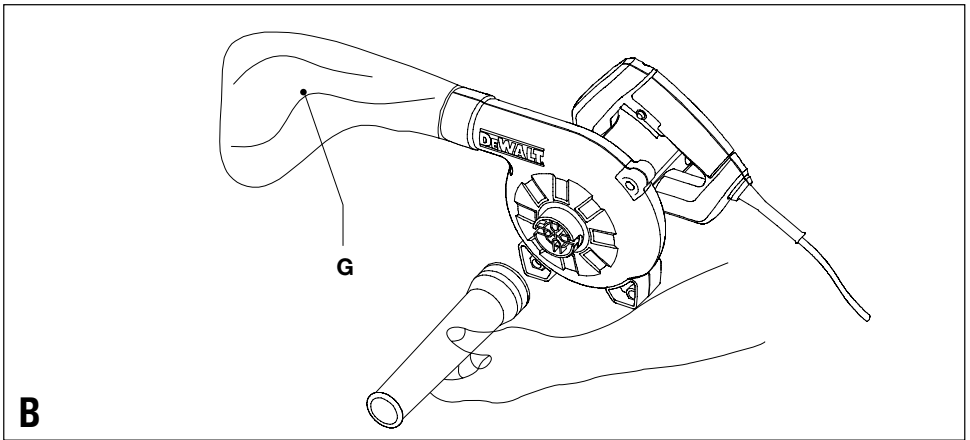
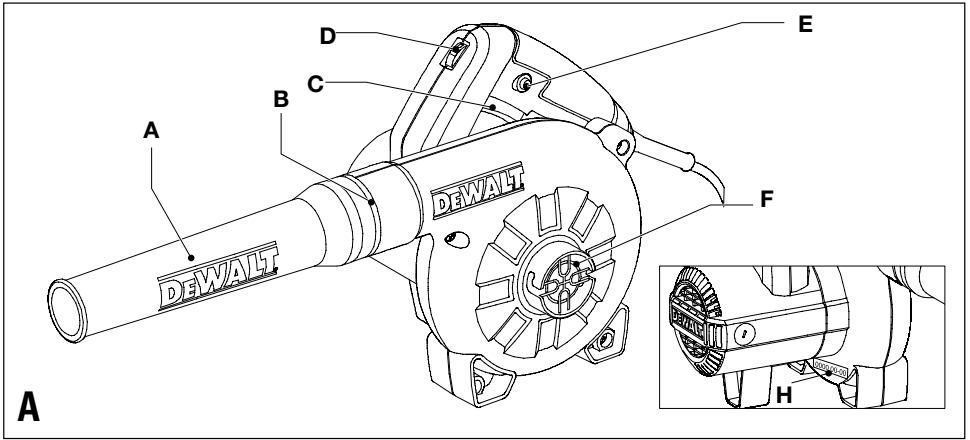
**[www.DEWALT.com](http://www.DEWALT.com)**

**DWB6800**

---

<b>English (<i>original instructions</i>)</b>	<b>2</b>
<b>中文 (简体)</b>	<b>7</b>
<b>繁體中文</b>	<b>11</b>
<b>한국어</b>	<b>15</b>
<b>ภาษาไทย</b>	<b>20</b>

---



# VARIABLE SPEED BLOWER

## DWB6800

### Congratulations!

You have chosen a DEWALT tool. Years of experience, thorough product development and innovation make DEWALT one of the most reliable partners for professional power tool users.

### Technical Data

	DWB6800	
Voltage	V	220-240
Frequency	Hz	50/60
Power input	W	800
No-load speed	/min	0-16000
Air Volume	m <sup>3</sup> /min	4.5
Weight	Kg	1.8

### Definitions: Safety Guidelines

The definitions below describe the level of severity for each signal word. Please read the manual and pay attention to these symbols.



**DANGER:** Indicates an imminently hazardous situation which, if not avoided, **will** result in **death or serious injury**.



**WARNING:** Indicates a potentially hazardous situation which, if not avoided, **could** result in **death or serious injury**.



**CAUTION:** Indicates a potentially hazardous situation which, if not avoided, **may** result in **minor or moderate injury**.

**NOTICE:** Indicates a practice **not related to personal injury** which, if not avoided, **may** result in **property damage**.



Denotes risk of electric shock.



Denotes risk of fire.



**WARNING:** To reduce the risk of injury, read the instruction manual.

### General Power Tool Safety Warnings



**WARNING! Read all safety warnings and all instructions.** Failure to follow the warnings and instructions may result in electric shock, fire and/or serious injury.

#### SAVE ALL WARNINGS AND INSTRUCTIONS FOR FUTURE REFERENCE

The term "power tool" in the warnings refers to your mains-operated (corded) power tool or battery-operated (cordless) power tool.

#### 1) WORK AREA SAFETY

- Keep work area clean and well lit.** Cluttered or dark areas invite accidents.
- Do not operate power tools in explosive atmospheres, such as in the presence of flammable liquids, gases or dust. Power tools create sparks which may ignite the dust or fumes.
- Keep children and bystanders away while operating a power tool.** Distractions can cause you to lose control.

#### 2) ELECTRICAL SAFETY

- Power tool plugs must match the outlet. Never modify the plug in any way. Do not use any adapter plugs with earthed (grounded) power tools.** Unmodified plugs and matching outlets will reduce risk of electric shock.
- Avoid body contact with earthed or grounded surfaces such as pipes, radiators, ranges and refrigerators.** There is an increased risk of electric shock if your body is earthed or grounded.
- Do not expose power tools to rain or wet conditions.** Water entering a power tool will increase the risk of electric shock.
- Do not abuse the cord. Never use the cord for carrying, pulling or unplugging the power tool. Keep cord away from heat, oil, sharp edges or moving parts.** Damaged or entangled cords increase the risk of electric shock.
- When operating a power tool outdoors, use an extension cord suitable for outdoor use.** Use of a cord suitable for outdoor use reduces the risk of electric shock.
- If operating a power tool in a damp location is unavoidable, use a**

**residualcurrent device (RCD) protected supply.** Use of an RCD reduces the risk of electric shock.

### 3) PERSONAL SAFETY

- a) **Stay alert, watch what you are doing and use common sense when operating a power tool. Do not use a power tool while you are tired or under the influence of drugs, alcohol or medication.** A moment of inattention while operating power tools may result in serious personal injury.
- b) **Use personal protective equipment. Always wear eye protection.** Protective equipment such as dust mask, non-skid safety shoes, hard hat, or hearing protection used for appropriate conditions will reduce personal injuries.
- c) **Prevent unintentional starting. Ensure the switch is in the off position before connecting to power source and/or battery pack, picking up or carrying the tool.** Carrying power tools with your finger on the switch or energising power tools that have the switch on invites accidents.
- d) **Remove any adjusting key or wrench before turning the power tool on.** A wrench or a key left attached to a rotating part of the power tool may result in personal injury.
- e) **Do not overreach. Keep proper footing and balance at all times.** This enables better control of the power tool in unexpected situations.
- f) **Dress properly. Do not wear loose clothing or jewellery. Keep your hair, clothing and gloves away from moving parts.** Loose clothes, jewellery or long hair can be caught in moving parts.
- g) **If devices are provided for the connection of dust extraction and collection facilities, ensure these are connected and properly used.** Use of dust collection can reduce dust-related hazards.

### 4) POWER TOOL USE AND CARE

- a) **Do not force the power tool. Use the correct power tool for your application.** The correct power tool will do the job better and safer at the rate for which it was designed.
- b) **Do not use the power tool if the switch does not turn it on and off.** Any power tool that cannot be controlled with the switch is dangerous and must be repaired.
- c) **Disconnect the plug from the power source and/or the battery pack from the power tool before making any**

**adjustments, changing accessories, or storing power tools.** Such preventive safety measures reduce the risk of starting the power tool accidentally.

- d) **Store idle power tools out of the reach of children and do not allow persons unfamiliar with the power tool or these instructions to operate the power tool.** Power tools are dangerous in the hands of untrained users.
- e) **Maintain power tools. Check for misalignment or binding of moving parts, breakage of parts and any other condition that may affect the power tool's operation. If damaged, have the power tool repaired before use.** Many accidents are caused by poorly maintained power tools.
- f) **Keep cutting tools sharp and clean.** Properly maintained cutting tools with sharp cutting edges are less likely to bind and are easier to control.
- g) **Use the power tool, accessories and tool bits etc., in accordance with these instructions taking into account the working conditions and the work to be performed.** Use of the power tool for operations different from those intended could result in a hazardous situation.

### 5) SERVICE

- a) **Have your power tool serviced by a qualified repair person using only identical replacement parts.** This will ensure that the safety of the power tool is maintained.

## Additional Safety Instructions for Blowers

- **Do not collect smoldering cigarette ashes, freshly cut metal shavings, screws, nails and the like.**
- **Never block suction inlet and outlet.**
- **Do not cross gravel paths or roads whilst your product is switched on during blow/vac mode. Walk, never run.**
- **Always be sure of your footing, particularly on slopes.**
- **Do not overreach and keep your balance at all times.**
- **Do not place the inlet or outlet of the vacuum near eyes or ears when operating.** Never blow debris in the direction of bystanders.
- **Keep all cooling air inlets clear of debris.**
- **To protect your feet and legs while operating the appliance, always wear heavy duty**

footwear and long trousers.

- Never allow children to use the appliance.
- Wear protective goggles while operating.
- If operating an appliance in a damp location is unavoidable, use a Residual Current Device (RCD) with a tripping current of not more than 30mA protected supply. Use of an RCD reduces the risk of electric shock.
- To prevent dust irritation, wearing of a face mask is recommended.
- Disconnect the appliance from the mains supply
  - whenever you leave the machine;
  - before cleaning a blockage;
  - before checking, cleaning or working on the appliance;
  - if the appliance starts to vibrate abnormally.
- Store the appliance only in a dry place.

## Markings on Tool

The following pictograms are shown on the tool:



Read instruction manual before use.



Wear eye protection.



Wear ear protection.



Keep bystanders away.



Switch off: remove plug from mains before cleaning or maintenance.



Do not touch the fan.

## DATE CODE POSITION

The date code (H), which also includes the year of manufacture, is printed into the housing surface that forms the mounting joint between tool and battery.

Example:

2015 XX XX

Year of Manufacture

## Package Contents

The package contains:

- 1 Blower
- 1 Dust Bag
- 1 Instruction manual
- 1 Nozzle

- Check for damage to the tool, parts or accessories which may have occurred during transport.
- Take the time to thoroughly read and understand this manual prior to operation.

## Description (fig. 1,4)



**WARNING:** Never modify the power tool or any part of it. Damage or personal injury could result.

- A. Nozzle
- B. Blast Port
- C. Trigger Switch
- D. Variable Speed Knob
- E. Lock-On Button
- F. Suction Port
- G. Dust Bag

## INTENDED USE

Your DWB6800 Blower has been designed for blowing & cleaning applications, as well as light suction purpose.

## Electrical Safety

The electric motor has been designed for one voltage only. Always check that the power supply corresponds to the voltage on the rating plate.



Your DEWALT tool is double insulated; therefore no earth wire is required.

If the supply cord is damaged, it must be replaced by a specially prepared cord available through the DEWALT service organisation.

## Using an Extension Cable

If an extension cable is required, use an approved extension cable suitable for the power input of this tool (see **Technical Data**). The minimum conductor size is 1.5 mm<sup>2</sup>; the maximum length is 30 m.

When using a cable reel, always unwind the cable completely.

## Connecting to the Mains

The mains supply to be used for this machine must be equipped with a 16 A cut-out fuse with time delay.

## Voltage Drops

Inrush currents cause short-time voltage drops. Under unfavourable power supply conditions, other equipment may be affected.

If the system impedance of the power supply is lower than  $0.11 \Omega$ , disturbances are unlikely to occur.

## POWER SUPPLY

Be sure your power supply agrees with the nameplate marking. A voltage decrease of more than 10% will cause a loss of power and overheating.

## Use

### Mounting The Nozzle For Blowing Operations (fig. A)

- Insert the pin located inside the Nozzle (A) into the notch provided on the Blast Port (B)
- To lock Nozzle in place, turn the Nozzle in the direction indicated.
- To remove Nozzle, turn the Nozzle in the opposite direction.

### Mounting The Nozzle And Dust For Dust Collection (fig. B)

- For dust collection, mount the Dust Bag at the Blast Port (B) and Nozzle at the Suction Port (F).
- To remove Dust Bag and Nozzle, simply pull out by first turning in the opposite direction.
- Empty the Dust Bag frequently to ensure maximum dust collecting efficiency.

### Operating The Blower (fig. C)

- To switch your Blower on, depress the Switch (C). To stop your Blower, release Switch.
- Adjust Variable Speed Knob (D) for different speed requirement.
- When continuous operation is required, first depress the switch and then the lock-on button (E) and release to disengage lock, squeeze and release switch.



**WARNING:** Continuous running of machine should not exceed 30 minutes.

## Replacing Carbon Brushes (fig. D)

- Use a screwdriver to remove the brush holder cap.
- Take out the worn carbon brush, insert the new one and secure the brush hold cap.



**WARNING:** Remove and check the carbon brushes regularly. Replace when they wear down to the limit mark.

## Accessories

The performance of your tool depends on the accessory used. DEWALT accessories are engineered to high quality standards and designed to enhance the performance of your tool. By using these accessories you will get the very best from your tool.

## MAINTENANCE

Your DEWALT power tool has been designed to operate over a long period of time with a minimum of maintenance. Continuous satisfactory operation depends upon proper tool care and regular cleaning.



**WARNING: Before performing any maintenance, switch off and unplug the tool.**

- Regularly clean the ventilation slots in your tool using a soft brush or dry cloth.
- Regularly clean the motor housing using a damp cloth. Do not use any abrasive or solvent-based cleaner.



## Lubrication

Your power tool requires no additional lubrication.



## Cleaning



**WARNING:** Blow dirt and dust out of the main housing with dry air as often as dirt is seen collecting in and around the air vents. Wear approved eye protection and approved dust mask when performing this procedure.



**WARNING:** *Never use solvents or other harsh chemicals for cleaning the non-metallic parts of the tool. These chemicals may weaken the materials used in these parts. Use a cloth dampened only with water and mild soap. Never let any liquid get inside the tool; never immerse any part of the tool into a liquid.*

## Protecting the Environment



Separate collection. This product must not be disposed of with normal household waste.



Should you find one day that your DEWALT product needs replacement, or if it is of no further use to you, do not dispose of it with household waste. Make this product available for separate collection.



Separate collection of used products and packaging allows materials to be recycled and used again. Re-use of recycled materials helps prevent environmental pollution and reduces the demand for raw materials.

Local regulations may provide for separate collection of electrical products from the household, at municipal waste sites or by the retailer when you purchase a new product.

DEWALT provides a facility for the collection and recycling of DEWALT products once they have reached the end of their working life. To take advantage of this service please return your product to any authorised repair agent who will collect them on our behalf.

You can check the location of your nearest authorised repair agent by contacting your local DEWALT office at the address indicated in this manual. Alternatively, a list of authorised DEWALT repair agents and full details of our after-sales service and contacts are available on the Internet at: **[www.2helpU.com](http://www.2helpU.com)**.



# 变速吹风机

## DWB6800

### 恭喜！

感谢您选购 DEWALT 工具。凭借多年的产品开发和创新能力，DEWALT 已经成为专业电动工具用户最可靠的合作伙伴之一。

### 技术参数

DWB6800 – A901		
电压	伏	220
频率	赫兹	50
输入功率	瓦	800
空载转速	转/分	0-16000
风量	立方米/分	4.5
重量	千克	1.8

### 定义：安全指引

下列定义描述了各警示词的严重程度。请仔细阅读本手册，并注意这些警示符号。



**危险：**表示紧急的危险情形，如不加以避免，**将导致死亡或严重伤害。**



**警告：**表示存在潜在的危险情况，如果不加以避免，**可能导致死亡或严重伤害。**



**警告：**表示存在潜在危险情况，如果不加以避免，**可能导致轻度或中度伤害。**

**注意：**表示存在不涉及人身伤害的情况，如果不加以避免，**可能导致财产损失。**



表示存在触电风险。



表示存在火灾风险。



**警告：**为降低伤害风险，请阅读使用手册。

### 一般安全规则



**警告！**阅读说明。没有按照以下列举的说明而使用或操作将导致触电、着火和/或严重伤害

#### 保存所有警告和说明书以备查阅。

在所有下列的警告中术语“电动工具”指市电驱动(有线)电动工具或电池驱动(无线)电动工具。

#### 1) 工作场地

- 保持工作场地清洁和明亮。混乱和黑暗的场地会引发事故
- 不要在易爆环境，如有易燃液体、气体或粉尘的环境下操作电动工具。电动工具产生的火花会点燃粉尘或气体。
- 让儿童和旁观者离开后操纵电动工具。分心会使你放松控制。

#### 2) 电气安全

- 电动工具插头必须与插座相配。绝不能以任何方式改装插头。需接地的电动工具不能使用任何转换插头。未经改装的插头和相配的插座将减少触电危险。
- 避免人体接触接地表面，如管道、散热片和水箱。如果你身体接地会增加触电危险。
- 不得将电动工具暴露在雨中或潮湿的环境中。水进入电动工具将增加触电危险。
- 不得滥用电线。绝不能用电线搬运、拉动电动工具或拔出其插头。让电动工具远离热、油、锐边或运动部件。受损或缠绕的电线会增加触电危险。
- 当在户外使用电动工具时，使用适合户外使用的外接电线。适合户外使用的电线将减少触电危险。
- 如果在潮湿环境下操作电动工具是不可避免的，应使用剩余电流动作保护器(RCD)。使用 RCD 可减小电击危险。

#### 3) 人身安全

- 保持警觉，当操作电动工具时关注所从事的操作并保持清醒。切勿在有疲倦、药物、酒精或治疗反应下操作电动工具。在操作电动工具期间精力分散会导致严重人身伤害。
- 使用安全装置。始终配戴护目镜。安全装置，诸如适当条件下的防尘面具、防滑安全鞋、安全帽、听力防护等装置能减少人身伤害。
- 避免突然起动。确保开关在插入插头时处于关闭位置。手指放在已接能电源的开关上或开关处于接通时插入插头可能会导致危险。
- 在电动工具接通之前，拿掉所有调节钥匙或扳手。遗留在电动工具旋转零件上的扳手或钥匙会导致人身伤害。
- 手不要伸得太长。时刻注意脚下和身体平衡。这样的意外情况下能很好地控制电动工具。
- 着装适当。不要穿宽松衣服或佩带饰品。让你的头发、衣服和袖子远离运动部件。宽松衣服、佩饰或长发可能会卷入运动部件。
- 如果提供了与排屑装置、集尘设备连接用的装置，则确保他们连接完好且使用得当。使用这

些装置可减少碎屑引起的危险。

#### 4) 电动工具使用和注意事项

- a) 不要滥用电动工具，根据用途使用适当的电动工具。选用适当的设计额定值的电动工具会使你工作更有效、更安全。
- b) 如果开关不能接通或关闭工具电源，则不能使用该电动工具。不能用开关来控制的电动工具是危险的且必须进行修理。
- c) 在进行任何调节、更换附件或贮存电动工具之前，必须从电源上拔掉插头和/或将电池盒脱开电源。这种防护性措施将减少电动工具突然起动的危险。
- d) 将闲置电动工具贮存在儿童所及范围之外，并且不要让不熟悉电动工具或对这些说明不了解的人操作电动工具。电动工具在未经训练的用户手中的是危险的。
- e) 保养电动工具。检查运动件的安装偏差或卡住、零件破损情况和影响电动工具运行的其他条件。如有损坏，电动工具必须在使用前修好。许多事故由维护不良的电动工具引发。
- f) 保持切削刀具锋利和清洁。保养良好的有锋利切削刃的刀具不易卡住而且容易控制。
- g) 按照使用说明书以及打算使用的电动工具的特殊类型要求的方式，考虑作业条件和进行的作业来使用电动工具、附加和工具的刀头等。将电动工具用作那些与要求不符的操作可能会导致危险情况。

#### 5) 维修

- a) 将你的电动工具送交专业维修人员，必须使用同样的备件进行更换。这样将确保所维修的电动工具的安全性。

### 吹风机的附加安全说明

- 请勿收集还在冒烟的烟灰、刚切削的金属片、螺钉、钉子以及类似物体。
- 切勿堵塞吸风入口和出口。
- 当产品在吹风/真空模式下开启时，请勿跨过砾石路径或道路。慢行，切勿奔跑。
- 务必注意脚下，尤其是在斜坡上时。
- 请勿将手伸得过远，并时刻注意身体的平衡。
- 操作时，请勿将真空入口和出口靠近眼睛或耳朵。切勿朝向旁观者吹送碎片。
- 让所有冷却空气入口无碎片。
- 为了在操作设备时保护您的脚和腿，请务必穿着重型鞋类和长裤。
- 切勿让儿童使用设备。
- 请在操作时戴上护目镜。
- 如果必须在潮湿场合使用此设备，请使用跳闸电流不超过 30mA 的漏电保护器 (RCD)。使用漏电保护器可减少触电的危险。
- 为了防止粉尘过敏，建议戴上面罩。

- 请在下列情况下将设备从电源断开连接
  - 每当离开机器时；
  - 在清理堵塞前；
  - 在检查、清洁或使用器具前；
  - 如果设备开始异常震动。
- 应仅将设备储存在干燥的地方。

### 工具上的标记

工具上印有下列标志：



使用前请阅读使用手册。



请佩戴护目装备。



请佩戴听力保护器。



让旁观者远离。



关闭：在清洁或维护前，请从电源拔掉插头。



请勿触摸风扇。

### 日期代码位置

包含制造年份的日期码 (H) 印在工具外壳上。

示例：

2015 XX XX

制造年份

### 包装内的物品

本产品包装内的物品有：

- 1 吹风机
- 1 集尘袋
- 1 使用手册
- 1 风管

- 检查工具、部件或配件是否在运输过程中损坏。
- 操作前，请抽空仔细阅读并掌握本手册。

## 说明 (图 1、4)



**警告：**切勿改装本电动工具或其任何部件，否则可能会导致损坏或人身伤害。

- A. 风管
- B. 吹风口
- C. 触发开关
- D. 变速旋钮
- E. 锁定按钮
- F. 吸风口
- G. 集尘袋

## 设计用途

DWB6800 吹风机适用于吹风和清洁应用，以及所需吸力较小的用途。

## 电气安全

电机只适用一种工作电压。请务必检查电源电压是否与铭牌上的电压一致。



DEWALT 工具为双重绝缘，因此无须接地线。

若电源线损坏，必须交由 DEWALT 维修部门采用专门制备的电线进行更换。

## 使用延长线

如需使用延长电缆，请使用与本工具的输入电源（见技术参数）相符且经检验的延长电缆。导体的最小尺寸为 1.5 平方毫米，最大长度为 30 米。

使用电缆卷筒时，请务必拉出所有的电缆。

## 连接到主电源

用于此工具的主电源必须配备一根具有延时能力的 16 安断流保险丝。

## 电压下降

浪涌电流会造成短时电压下降。在不适宜的电源条件下，可能影响其他设备。

如果电源的系统阻抗小于 0.11 Ω，不太可能发生干扰。

## 电源

确保您的电源与铭牌标记相符。超过 10% 的电压下降会导致功率损失和过热。

## 使用

### 安装用于吹风操作的喷嘴 (图 A)

- 将喷嘴内的插销插入吹风口上的凹口 (A) 中。
- 要将喷嘴锁定到位，请沿指示方向旋转喷嘴。
- 要拆下喷嘴，沿相反方向旋转喷嘴。

### 安装喷嘴和集尘袋 (图 B)

- 为了收集尘埃，请将集尘袋安装在吹风口 (B)，将喷嘴安装在吸风口 (F)。
- 要拆下集尘袋和喷嘴，只需先沿相反方向旋转再拉出。
- 经常清空集尘袋，以确保最高的集尘效率。

### 操作吹风机 (图 C)

- 要开启吹风机，按下开关 (C)。要停止吹风机，松开开关。
- 调节变速旋钮 (D) 以符合不同的速度要求。
- 当需要持续操作时，先按下开关，然后按下锁定按钮 (E) 并松开以解除锁定，然后挤压并松开开关。

**警告：**持续运行机器不应超过 30 分钟。

### 更换碳刷 (图 D)

- 使用螺丝起子以拆下刷架保护盖。
- 取出磨损的碳刷，插入新碳刷并固定刷架保护盖。

**警告！** 定期拆下碳刷进行检查。在磨损到限制标记时予以更换。

## 附件

电动工具的性能取决于所使用的附件。DEWALT 附件依据高质量标准进行规划，并设计用于增强电动工具的性能。使用这些附件会令您的工具如虎添翼。

## 维护

DEWALT 电动工具设计精良，可以长时间使用，而且只需极少的维护。要连续获得令人满意的工作效果，需要进行合适的工具维护和定期清洁。



**警告：为降低人身伤害的风险，在拆、装附件或调整、修理工具之前，请关闭工具并拔下工具插头。请确保触发开关处于 OFF（关闭）位置。意外启动可能会导致人身伤害。**

- 定期使用软刷或干布清洁工具内的通风槽。
- 定期使用湿布清洁电动机外壳。请不要使用任何研磨性或基于溶剂的清洁剂。



## 润滑

本电动工具无需另行润滑。



## 清洁



**警告：一旦看到通风口及其周围积聚了尘屑，请用干燥的空气将灰尘和尘屑从主机外壳内吹出。执行此过程时，需戴上经认可的护目装备和防尘面具。**



**警告：请勿使用溶剂或其它刺激性化学制品来清洁工具的非金属部件。这些化学物质可能会削弱这些部位使用的材料。请用布蘸温和的肥皂水擦拭。切勿让任何液体渗入工具，切勿让工具的任何部件浸在液体中。**

## 可选配件



**警告：除了 DEWALT 提供的附件之外，其他附件都未经此产品兼容性测试，若将此类附件与本工具一起使用将存在安全隐患。为降低伤害风险，本产品只可使用 DEWALT 推荐的附件。**

请向您的经销商咨询更多关于合适附件的信息。

## 保护环境



分类回收。本产品不得与普通家庭垃圾一起处理。

如果发现您的 DEWALT 产品需要更换或您已经不再需要使用这些产品，请勿将它们与家庭垃圾一起处理。请将它们单独分类回收。



分类回收使用过的产品和包装能够让材料得以再循环和再利用。回收材料的再利用有助于防止环境污染，并降低对原材料的需求。

当地法规可能要求由市政废物处理点或向您出售新产品的零售商提供从家庭中分类回收电气产品的服务。

DEWALT 提供设施收集和回收使用寿命到期的 DEWALT 产品。若要享受这项服务，请将产品送回任一授权维修代理处，他们将代表我们回收您的产品。

请根据本手册所提供的地址与当地 DEWALT 办事处联系，查询离您最近的授权维修代理的位置。或者，您也可以登陆以下网站查询 DEWALT 授权维修代理名单，以及我们的售后服务和联系方式的详细信息，网址是 [www.2helpU.com](http://www.2helpU.com)。

制造商：百得（苏州）科技有限公司

地址：苏州工业园区苏虹中路200号出口加工区

产地：金华

# 變速吹吸風槍

## DWB6800

### 恭喜閣下！

感謝您選購 DEWALT 工具。憑藉多年的產品開發和創新經驗，DEWALT 已成為專業電動工具使用者最信賴的夥伴之一。

### 技術資料

DWB6800-TW01		
電壓	V	110
頻率	Hz	60
輸入功率	W	800
空載轉速	/min	0-16000
風量	m <sup>3</sup> /min	4.5
重量	kg	1.8

### 定義：安全指南

以下定義描述了每一個圖案的嚴重程度。請閱讀本手冊並注意這些符號。



**危險：**表示緊急危險情況，若未能避免，將導致死亡或嚴重傷害。



**警告：**表示潛在危險情況，若未能避免，可能導致死亡或嚴重傷害。



**小心：**表示潛在危險情況，若未能避免，可能導致輕微或中度傷害。

**注意：**表示一種非人身傷害的行為，若未能避免，可能導致財產損失。



表示觸電危險。



表示火災危險。



**警告：**為了降低受傷的風險，必須仔細閱讀使用手冊。

### 電動工具一般安全警告



**警告！**請閱讀所有安全警告及使用指示。不遵循這些警告和指示可能會導致觸電、火災及/或嚴重傷害。

請妥善保存所有的警告和使用手冊  
以備將來查閱

警告中的名詞「電動工具」是指電源驅動（插電）電動工具，或者電池驅動（充電）電動工具。

#### 1) 工作場地安全

- 保持工作場地清潔和明亮。混亂或黑暗的場地會引發事故。
- 不要在易爆環境，如有易燃液體、氣體或塵埃的環境中操作電動工具。電動工具產生的火花會點燃塵埃或氣體。
- 請等待兒童和旁觀者離開之後才操縱電動工具。分心會導致您疏於控制。

#### 2) 電氣安全

- 電動工具插頭必須與插座相符。切勿以任何方式改裝插頭。需接地的電動工具不能使用任何配接器插頭。未經改裝的插頭和相符的插座可以減少觸電危險。
- 避免人體接觸接地表面，如管道、散熱片、爐灶和冰箱。若您的身體接地，可增加觸電危險。
- 不得將電動工具暴露在雨中或潮濕環境中。水進入電動工具會增加觸電危險。
- 切勿濫用電線。請勿使用電線來搬運、拉動電動工具或拔出插頭。讓電線遠離熱、油、銳邊和活動部件。受損或纏繞的電線會增加觸電危險。
- 若要在戶外使用電動工具，請使用適合戶外使用的延長電纜。使用適合戶外使用的電纜可減少觸電危險。
- 若必須在潮濕場合使用電動工具，請使用漏電保護器（RCD）。使用 RCD 可降低觸電危險。

#### 3) 人身安全

- 保持警覺：在操作電動工具時，請留意所執行的操作並按照一般的常識執行。切勿在疲倦，或受到藥物、酒精或治療的影響下操作電動工具。操作電動工具期間注意力分散會導致嚴重人身傷害。
- 使用個人防護裝置。始終佩戴護目裝備。防護裝置，例如在適當條件下可使用的防塵面具、防滑安全鞋、安全帽或聽力保護等裝置可減少人身傷害。
- 避免意外啟動。連接電源及/或電池組、舉抬或搬運電動工具之前，請確定開關處於關閉位置。搬運電動工具時若將手指放在開關上，或是在接通開關電源時插入插頭都會引發危險。
- 接連電動工具之前，請卸下所有的調整鑰匙或扳手。遺留在電動工具旋轉部件上的扳手或鑰匙會導致人身傷害。
- 不要過度伸張雙手。時刻注意腳下和身體的平衡。如此即可在發生意外的情況下更好地控制電動工具。
- 適當穿著。不要穿寬鬆衣服或佩戴飾品。讓您的頭髮、衣服和手套遠離活動部件。寬鬆衣服、飾品和長髮可能會捲入活動部件。

- g) 若配備用於連接排屑裝置、集塵設備的裝置，請確定正確連接和使用這些裝置。使用集塵設備可減少與塵埃有關的危險。

#### 4) 電動工具的使用與維護

- a) 不要超負荷使用電動工具。根據您的用途使用適當的電動工具。使用適當的電動工具在其設計可負荷的應用內，會讓您更有效、更安全地執行工作。
- b) 若開關不能開啓或關閉電源，切勿使用該電動工具。不能用開關來控制的電動工具將存在危險，必須進行維修。
- c) 在執行任何調整、更換配件或儲存電動工具之前，請從電源上拔掉插頭及/或卸下電池組。這類防護性措施可降低電動工具意外啟動的風險。
- d) 將閒置的電動工具儲存在兒童無法接觸的地方，並且不要讓不熟悉電動工具或對這些使用指示不瞭解的人員操作電動工具。電動工具在未經培訓的使用者手中會發生危險。
- e) 維護電動工具。檢查活動部件是否對準或卡住、破損情況以及是否存在影響電動工具運行的其他情況。若有損毀，必須在使用之前修理電動工具。許多事故都是由於電動工具欠缺維護所導致。
- f) 保持刀具鋒利和清潔。妥善維護、切削鋒利的切割工具不會輕易卡住並可更輕鬆控制。
- g) 遵循使用指示以及工作條件和所要執行的工作使用電動工具、配件和工具刀頭等。不按設計目使用電動工具將會導致危險。

#### 5) 檢修

- a) 本電動工具必須由合格的維修人員並只採用相同的原廠部件來執行檢修。這將確保電動工具的安全性。

### 吹吸風槍之附加安全指示

- 請勿收集還在冒煙的煙灰、剛切削的金屬片、螺釘、釘子以及類似物體。
- 切勿堵塞吸風入口和出口。
- 當產品在鼓風/真空模式下開啟時，請勿跨過礮石路徑或道路。慢行，切勿跑動。
- 務必注意腳下，尤其是在斜坡上時。
- 請勿將手伸得過遠，並時刻注意身體的平衡。
- 操作時，請勿將真空入口和出口靠近眼睛或耳朵。切勿朝向旁觀者吹送碎片。
- 讓所有冷卻空氣入口無碎片。
- 為了在操作器具時保護您的腳和腿，務必穿著重型鞋類和長褲。
- 切勿讓兒童使用器具。
- 請在操作時戴上護目鏡。
- 若必須在潮濕場合使用此器具，請使用跳閘電

流不超過 30mA 的漏電保護器 (RCD)。使用 RCD 可降低觸電危險。

- 為了防止粉塵過敏，建議戴上面罩。
- 請在下列情況下將器具從電源斷開連接
  - 每當離開機器時；
  - 在清理堵塞前；
  - 在檢查、清潔或使用器具前；
  - 若器具開始異常震動。
- 應僅將器具儲存在乾燥的地方。

### 工具上的標誌

工具上會附帶下列圖示：



使用前請閱讀使用手冊。



請佩戴護目鏡。



請佩戴聽力保護器。



讓旁觀者離開。



關閉：在清潔或維護前，請從電源拔掉插頭。



請勿觸摸風扇。

### 日期代碼位置

日期代碼 (R)，包括製造年份，已經印刷在工具外殼上。

範例：

2015 XX XX  
製造年份

### 套裝內的物件

本套裝包括：

- 1 吹風機
- 1 集塵袋
- 1 使用手冊
- 1 風管

- 檢查工具、部件或配件有否在運送途中損壞。
- 操作前，請抽空徹底地閱讀和掌握本手冊的內容。

## 說明 (圖 1、4)



**警告：**請勿改動本電動工具或其任何部件，否則可能導致損壞或人身傷害。

- |         |         |
|---------|---------|
| A. 風管   | E. 鎖定按鈕 |
| B. 鼓風口  | F. 吸風口  |
| C. 觸發開關 | G. 集塵袋  |
| D. 變速旋鈕 |         |

### 設計用途

DWB6800 吹吸風槍適用於鼓風和清潔應用，以及所需吸力較小的用途。

## 電氣安全

電動機只適用一種電壓。請務必檢查電源電壓是否與銘牌一致。



DEWALT 工具採用雙重絕緣，因此無需接地線。

如果電源線損壞，必須使用 DEWALT 維修機構提供的專用電源線進行更換。

## 使用延長電纜

若需要使用延長電纜，使用適合本工具電源輸入使用的認證 延長電纜 (參閱 [技術資料](#))。導電體的最小尺寸為 1.5 mm<sup>2</sup>；最大長度為 30 m。

使用電纜捲筒時，每次必須把電纜完全展開。

## 連接電源

本機器使用的電源必須配備一個帶時間延遲功能的 16 A 的熔斷器。

## 電壓下降

浪湧電流可導致短時間的電壓下降。在低電壓的情況下其他設備可能受到影響。

如果系統的電源阻抗低於 0.11 Ω，不太可能發生紊亂。

## 電源

請確保您的電源供應器與銘牌上標注的內容一致。電壓降低超過 10% 將導致功率損失以及過熱。

## 使用

### 安裝用於鼓風操作的噴嘴 (圖 A)

- 將噴嘴內的插銷插入鼓風口上的凹口 (A) 中。
- 要將噴嘴鎖定到位，請沿指示方向旋轉噴嘴。
- 要拆下噴嘴，沿相反方向旋轉噴嘴。

### 安裝噴嘴和集塵袋 (圖 B)

- 為了收集塵埃，請將集塵袋安裝在鼓風口 (B)，將噴嘴安裝在吸風口 (F)
- 要拆下集塵袋和噴嘴，只需先沿相反方向旋轉再拉出。
- 經常清空集塵袋，以確保最高的集塵效率。

### 操作吹吸風槍 (圖 C)

- 要開啓吹吸風槍，按下開關 (C)。要停止吹吸風槍，鬆開開關。
- 調節變速旋鈕 (D) 以符合不同的速度要求。
- 當需要持續操作時，先按下開關，然後按下鎖定按鈕 (E) 並鬆開以解除鎖定，然後擠壓並鬆開開關。

**警告：**持續運行機器不應超過 30 分鐘。

### 更換碳刷 (圖 D)

- 使用螺絲起子以拆下刷架保護蓋。
- 取出磨損的碳刷，插入新碳刷並固定刷架保護蓋。

**警告！**定期拆下並檢查碳刷，在磨損到限制標記時予以更換。

## 配件

電動工具的效能取決於所使用的配件。DEWALT 配件依據高品質標準進行規劃，並設計用於增強電動工具的效能。透過使用這些配件，工具將以最佳效能運作。

## 維護

您的工具採用卓越的設計，能夠長時間使用，並且只需最少的維護。若要持續獲得滿意的操作效果，需進行正確的工具維護和定期的清潔。

**警告！**在執行任何維護工作前，請關閉電源並將工具插頭拔下。

- 定期使用軟刷或幹布清潔工具內的通風槽。
- 定期使用濕布清潔電動機外殼。請勿使用任何研磨性或基於溶劑的清潔劑。

## 保護環境



分類回收。本產品必須與一般家庭廢物分開處置。

若您發現您的 DEWALT 產品需要進行更換，或您已經不再需要使用這些產品，請勿將其與家庭廢物一併處置。務必將本產品送往分類收集處。



分類收集用過的產品和包裝允許材料循環再生利用。重新使用回收的材料有助於防止環境污染，並降低對原材料的需求。

當地法規可能要求由市政廢物回收點，或由向您出售新產品的經銷商來提供將電子產品與家庭廢物分類收集的服務。

進口商:新加坡商百得電動工具(股)台灣分公司  
地址:台北市北投區裕民六路120號4F  
電話:02-28201065

總經銷商:永安實業股份有限公司  
地址:新北市三重區新北大道二段137號  
電話:02-29994633



# 변속 송풍기 DWB6800

## 축하합니다!

DeWALT 공구를 선택해 주셔서 감사합니다. DeWALT는 오랜 경험과 제품 개발 및 혁신을 통해 전문 공구 사용자들이 인정하는 기업으로 자리잡아 왔습니다.

## 기술 데이터

DWB6800-KR01	
전압	V 220
주파수	Hz 60
소비전력	W 800
무부하 속도	/분 0-16000
공기량	m3/분 4.5
무게	Kg 1.8

## 정의: 안전 지침

다음 정의는 각 경고 문구의 심각도를 설명합니다. 사용 설명서를 읽고 다음 기호들에 유의하십시오.



**위험:** 절박한 위험 상태를 나타내며, 방지하지 않으면 **사망 또는 심각한 부상을 초래합니다.**



**경고:** 잠재적 위험 상태를 나타내며, 방지하지 않으면 **사망 또는 심각한 부상을 초래할 수 있습니다.**



**주의:** 잠재적으로 위험한 상태를 나타내며, 방지하지 않으면 **경미하거나 가벼운 부상을 초래할 수 있습니다.**

**참고:** 신체 부상을 초래하지 않는 행위를 나타내며 방지하지 않으면 재산상의 손해가 발생할 수 있습니다.



감전 위험을 나타냅니다.



화재 위험을 나타냅니다.



**경고:** 부상 위험을 줄이려면 사용 설명서를 숙지하십시오.

## 전동 공구에 관한 일반 안전 경고



**경고! 안전 경고와 지시사항을 모두 읽으십시오.** 경고 및 지시 사항을

준수하지 않으면 감전, 화재 및/또는 심각한 부상을 초래할 수 있습니다.

### 항후 참고할 수 있도록

**모든 경고 및 지시 사항을 보관해두십시오.**

경고에서 사용된 "전동 공구"라는 용어는 주 공급 전원에 의해 전기가 공급되는(유선) 전동 공구 또는 충전식(무선) 전동 공구를 의미합니다.

### 1) 작업장 안전

- 작업 영역을 청결하고 밝게 유지하십시오.** 혼잡하거나 어두운 작업장에서는 사고가 발생하기 쉽습니다.
- 가연성 액체, 가스 또는 먼지 등 폭발 가능성이 있는 환경에서 전동 공구를 사용하지 마십시오. 전동 공구에서 먼지나 가스를 발화시킬 수 있는 불꽃이 될 수 있습니다
- 전동 공구로 작업하는 동안에는 어린이와 주변 사람들이 작업 영역에 가까이 들어오지 못하도록 하십시오.** 주변이 산만해져 통제력을 잃을 수 있습니다.

### 2) 전기 안전

- 전동 공구의 플러그는 콘센트와 형식이 일치해야 합니다.** 플러그를 어떤 방식으로든 절대 개조하지 마십시오. 접지된(지면 접지) 전동 공구에 어떤 어댑터 플러그도 사용하지 마십시오. 개조되지 않은 플러그 및 형식이 일치하는 콘센트를 사용하면 감전 위험이 줄어듭니다.
- 파이프, 라디에이터, 렌지 및 냉장고 등과 같이 접지된 표면에 몸이 닿지 않도록 하십시오.** 신체가 접지되어 있으면 감전 위험이 높아집니다.
- 전동 공구를 비 또는 습한 환경에 노출하지 않도록 주의하십시오.** 전동 공구에 물이 들어가면 감전 위험이 높아집니다.
- 코드를 함부로 다루지 마십시오.** 코드를 사용하여 전동 공구를 운반하거나 잡아당기거나 플러그를 뽑지 마십시오. 열, 오일, 날카로운 모서리 또는 움직이는 부품에서 멀리 떨어진 장소에 코드를 보관하십시오. 코드가 손상되거나 얽혀 있으면 감전 위험이 높아집니다.
- 전동 공구를 실외에서 사용할 때는 실외 사용에 적합한 연장 코드를 사용하십시오.** 실외 사용에 적합한 코드를 사용하면 감전 위험이 줄어듭니다.
- 어쩔 수 없이 습한 장소에서 전동 공구를 사용해야 하는 경우에는 누전 차단기(RCD)로 보호된 전원 공급 장치를**

**사용하십시오.** RCD를 사용하면 감전 위험이 줄어듭니다.

**3) 신체 안전**

- a) **전동 공구로 작업할 때는 방심하지 말고 작업에 주의하면서 상식에 따르십시오.** 피곤한 상태이거나 약물, 술, 치료제를 복용한 상태에서는 전동 공구를 사용하지 마십시오. 전동 공구를 사용하는 중에 주의력을 잃어 순간적으로 부상을 당할 수 있습니다.
- b) **신체 보호 장비를 착용하십시오. 항상 보안경을 착용하십시오.** 적절한 상황에서 방진 마스크, 미끄럼 방지 안전화, 안전모 또는 청력 보호 기구 등의 보호 장비를 사용하면 신체 부상 위험이 줄어듭니다.
- c) **갑작스러운 장비 가동을 방지하십시오. 전원 및/또는 배터리 팩에 연결한 상태로 공구를 선택 또는 운반할 때는 사전에 스위치가 꺼짐 위치에 있는지 반드시 확인하십시오.** 스위치가 켜짐 위치에 있는 상태에서 스위치에 손가락이 닿은 상태로 전동 공구를 운반하거나 전동 공구에 전원을 공급하면 사고가 발생합니다.
- d) **전동 공구를 켜기 전에 모든 조정 키 또는 렌치를 제거하십시오.** 전동 공구의 회전 부품에 렌치나 키가 부착되어 있으면 부상을 당할 수 있습니다.
- e) **무리하게 팔을 뻗지 마십시오. 항상 올바른 자세로 서서 균형을 유지하십시오.** 그러면 예기치 않은 상황에서의 전동 공구 제어 능력이 향상됩니다.
- f) **적절한 의복을 착용하십시오. 헐렁한 옷이나 장신구를 착용하지 마십시오. 머리카락, 옷 및 장갑이 움직이는 부품에 닿지 않도록 유의하십시오.** 헐렁한 옷, 장신구 또는 긴 머리카락이 움직이는 부품에 걸 수 있습니다.
- g) **먼지 배출 및 집진 시설 연결을 위한 장치와 제공된 경우, 이물 장치가 연결되어 적절히 사용되고 있는지 반드시 확인하십시오.** 집진 장치를 사용하면 먼지와 관련된 위험을 줄일 수 있습니다.

**4) 전동 공구 사용 및 관리**

- a) **전동 공구에 무리한 힘을 가하지 마십시오. 해당 용도에 맞는 올바른 전동 공구를 사용하십시오.** 올바른 전동 공구를 사용해야 설계된 속도로 작업을 더욱 안전하고 정확하게 수행할 수 있습니다.
- b) **스위치 켜짐/꺼짐이 되지 않는 전동 공구는 사용하지 마십시오.** 스위치로 제어되지 않는 전동 공구는 위험하며 수리해야 합니다.
- c) **전동 공구를 조정하거나 액세서리를 변경하거나 보관하기 전에 전원 및/또는 배터리 팩에서 플러그를 빼십시오.** 전동

공구를 조정하거나 액세서리를 변경하거나 보관하기 전에 전원 및/또는 배터리 팩에서 플러그를 빼십시오. 이러한 예방적 안전 조치를 따라야 전동 공구가 갑자기 작동할 위험이 줄어듭니다.

- d) **사용하지 않는 전동 공구는 어린이의 손이 닿지 않는 곳에 보관하고, 전동 공구나 본 지시 사항에 익숙하지 않은 사람이 전동 공구를 절대 사용하지 못하게 하십시오.** 전동 공구는 훈련을 받지 않은 사용자가 다루면 위험합니다.
- e) **전동 공구 유지 보수. 움직이는 부품의 잘못된 정렬이나 바인딩, 부품 파손 및 기타 전동 공구의 작동에 영향을 미칠 수 있는 기타 모든 상태를 확인하십시오. 손상된 부분이 있는 경우 사용하기 전에 전동 공구를 수리하십시오.** 많은 사고는 전동 공구를 제대로 유지 보수하지 않아야 발생합니다.
- f) **절삭 공구를 예리하고 깨끗한 상태로 유지하십시오.** 절단식적 가장자리를 예리하게 잘 유지하면 절단기를 사용할 때 바인딩이 적고 다루기가 용이합니다.
- g) **작업 환경과 수행할 작업을 고려하여, 본 지시 사항에 따라 전동 공구, 액세서리 및 톨 비트 등을 사용하십시오.** 본 사용 설명서의 내용과 다른 용도로 전동 공구를 사용하면 위험한 상황이 발생할 수 있습니다.

**5) 정비**

- a) **자격을 갖춘 기술자가 동일 교체 부품을 사용하여 정비 작업을 수행해야 합니다.** 그레야 전동 공구의 안전이 보장됩니다.

**송풍기 추가 안전 지침**

- 계속 연기가 나는 담뱃재, 막 깎아낸 금속 부스러기, 나사, 못 등을 모으지 마십시오.
- 흡입 주입구 및 배출구를 막지 마십시오.
- 송풍/진공 모드 동안 제품의 전원이 켜져 있을 때는 자갈길 또는 도로를 건너지 마십시오. 뛰지 말고 걸으십시오.
- 항상 특히 비탈길에서는 발 밑을 조심하십시오.
- 무리하게 팔을 뻗지 말고 항상 균형을 유지하십시오.
- 작업하는 동안 진공 주입구 또는 배출구를 눈이나 귀 근처에 놓지 마십시오. 주변 사람들이 있는 방향으로 파편을 불지 마십시오.
- 모든 냉각 공기 주입구에 파편이 없도록 유지하십시오.
- 제품을 작동할 때 발과 다리를 보호하려면, 항상 튼튼한 신발을 신고 긴 바지를 입으십시오.

- 어린이가 제품을 사용하도록 하지 마십시오.
- 작업하는 동안 보안경을 착용하십시오.
- 습기있는 장소에서 제품을 작동하는 것이 불가피한 경우, 30mA 보호 공급 이상을 넘지 않는 개폐 동락 전류의 차단기(RCD)를 사용하십시오. RCD를 사용하면 감전 위험이 줄어듭니다.
- 먼지 염증을 방지하려면, 안면 보호구를 착용하는 것이 좋습니다.
- 다음과 같은 경우 전원에서 제품을 분리하십시오.
  - 기계 결을 비울 때마다
  - 막힌 상태를 청소하기 전에
  - 제품을 점검, 청소 또는 작동하기 전에
  - 제품이 이상하게 진동하기 시작하는 경우
- 건조한 장소에서만 제품을 보관하십시오.

## 공구에 표시된 마크

공구에는 다음과 같은 그림이 있습니다.



사용 전에 사용 설명서의 내용을 숙지하십시오.



보안경을 착용하십시오.



귀 보호 장구를 착용하십시오.



주변 사람들이 작업 영역에 가까이 오지 못하도록 하십시오.



전원 스위치 끄기: 청소 또는 유지보수 전에 전원에서 플러그를 빼십시오.



팬을 만지지 마십시오.

## 날짜 코드 위치

날짜 코드(R)에는 제조년도가 포함되며 케이스에 인쇄되어 있습니다.

예:

2015 XX XX

제조년도

## 포장 내용물

포장에는 다음 내용물이 들어 있습니다.

- 1 변속 송풍기
- 1 먼지주머니
- 1 사용 설명서
- 1 노즐

- 운반 중에 발생할 수 있는 공구, 부품 또는 액세서리의 손상 여부를 확인하십시오.
- 작동 전에 시간을 내어 본 사용 설명서를 읽고 숙지하십시오.

## 설명(그림 1,2,3)



**경고:** 전동 공구 또는 전동 공구의 어떤 부품도 절대 개조하지 마십시오. 제품이 파손되거나 신체 부상을 당할 수도 있습니다.

- A. 노즐
- B. 송풍구
- C. 동작 스위치
- D. 가변 속도 노브
- E. 락온 버튼
- F. 흡입 포트
- G. 먼지주머니

## 용도

DWB6800 디월트 송풍기는 송풍을 이용한 청소 뿐 아니라 가벼운 흡입 기능 사용이 가능 합니다.

## 전기 안전

전기 모터는 한 가지 전압에만 맞추어 설계되었습니다. 전원이 전동기 내임 플레이트에 기재된 전압과 일치하는지 항상 확인하십시오.



DEWALT 공구는 이중 절연되어 있어 접지가 필요 없습니다.

전원 코드가 손상된 경우에는 DEWALT 서비스 센터를 통해 특수 제작된 코드로 교체해야만 합니다.

## 연장 케이블 이용

연장 케이블이 필요할 경우 이 공구의 소비전력에 맞는 승인된 연장 케이블을 사용하십시오(기술 데이터 참조). 최소 도체 크기는 1.5 mm<sup>2</sup>, 최대 길이는 30 m입니다.

케이블 릴을 사용할 때는 항상 케이블을 완전히 푸십시오.

## 본체 연결

이 장비용으로 사용할 주 전원에는 타임 딜레이와 함께 16 A 차단 퓨즈가 장착되어 있어야 합니다.

## 전압 강하

돌입 전류가 일시적 전압 강하를 유발할 수 있습니다. 전원 공급 상태가 좋지 않을 경우 다른 장비에 영향을 줄 수 있습니다.

전원 공급 장치의 시스템 임피던스가 0.11 Ω 미만이면 장애가 발생할 가능성은 없습니다.

## 전원 공급

전원은 기기 명판에 적힌 사양과 일치해야 합니다. 전압이 10% 이상 떨어지면 동력이 약해지고 과열이 발생합니다.

## 사용법

### 송풍 작업을 위해 노즐 장착하기(그림 A)

- 노즐 안쪽에 있는 핀을 송풍구(A)에 제공되어 있는 표시에 끼웁니다.
- 노즐을 제자리에 잠그려면, 노즐을 표시된 방향으로 돌립니다.
- 노즐을 분리하려면, 노즐을 반대 방향으로 돌립니다.

### 집진용 노즐 및 먼지 장착(그림 B)

- 집진을 위해, 먼지주머니를 송풍구(B)에, 노즐을 흡입 포트(F)에 장착합니다.
- 먼지주머니와 노즐을 분리하려면, 먼지 반대 방향으로 돌려서 간단히 빼 냅니다.
- 집진 효율성을 최대화하려면 먼지주머니를 자주 비우십시오.

### 송풍기 조작(그림 C)

- 송풍기를 켜려면, 스위치(C)를 누릅니다. 송풍기를 정지하려면, 스위치를 놓습니다.
- 다양한 속도 요건에 맞게 가변 속도 노브(D)를 조정합니다.
- 연속 작동이 필요할 때는, 먼지 스위치를 누른 다음 락온 버튼(E)을 누르고 손을 떼면 되고, 잠금을 풀 때는 스위치를 쥐었다가 놓습니다.

**경고:** 연속적인 기계 작동은 30분을 초과해서는 안됩니다.

### 카본 브러시 교체하기(그림 D)

- 드라이버를 사용하여 브러시 홀더 뚜껑을 제거합니다.
- 마모된 카본 브러시를 빼 내고, 새 브러시를 끼운 다음 브러시 홀더 뚜껑을 고정시킵니다.

**경고!** 카본 브러시를 분리해 정기적으로 확인하십시오. 한도 표시까지 마모되면 교체하십시오.

## 액세서리

전동 공구의 성능은 사용한 액세서리에 따라 결정됩니다. 알맞은 액세서리를 사용함으로써 공구의 기능을 최대한 활용할 수 있습니다.

## 유지 보수

이 공구는 최소한의 유지 보수로 장기간에 걸쳐 작업이 가능하도록 설계되어 있습니다. 만족스러운 연속 작동은 적절한 공구 관리와 정기적인 청소에 따라 그 성능이 달라질 수 있습니다.

**경고!** 유지 보수를 수행하기 전에 전원을 끄고 공구의 플러그를 뽑으십시오.

- 부드러운 브러시와 마른 헝겊으로 공구의 환기 슬롯을 주기적으로 청소하십시오.
- 젖은 헝겊으로 모터 하우징을 주기적으로 청소하십시오. 연마재 및 유성 클리너를 사용하지 마십시오.



## 운할방법

전동 공구는 별도의 운할 작업이 필요하지 않습니다.



## 청소



**경고:** 통풍구 속이나 주변에 먼지가 쌓여있는 것이 보이면 가능한 한 자주 건조한 공기를 이용하여 몸체에서 먼지를 풀어내십시오. 이 절차를 수행할 때에는 승인된 눈 보호 장구 및 승인된 방진 마스크를 착용하십시오.



**경고:** 공구의 금속 이외 부품을 청소할 때는 용제 등의 강력한 화학약품을 절대 사용하지 마십시오. 그렇지 않으면

이러한 부분에 사용된 재료가 약해질 수 있습니다. 형견에 물과 순한 비누를 적셔 닦아주십시오. 공구 내부에 액체를 넣거나 공구 부품을 액체에 담그는 행동은 절대 금물입니다.

## 환경 보호



분리 수거. 본 제품을 일반 가정용 쓰레기로 처리하면 안됩니다.

DEWALT 제품을 교체해야 하거나 더 이상 쓸모가 없어졌다고 판단될 때는 본 제품을 가정용 쓰레기와 함께 처리하지 마십시오. 이 제품은 분리 수거하십시오.



사용하던 제품과 포장을 분리 수거하면 자원을 재활용 및 재사용할 수 있습니다. 재활용 자원을 이용하면 환경 오염이 방지되고 고철 자원에 대한 수요를 줄일 수 있습니다.

지역에 따라 가정용 가전제품을 분리 수거하는 규정이 마련되어 있거나 새로운 제품을 구입할 때 판매점에서 폐기 방법을 알려줄 수 있습니다.

DEWALT는 사용이 끝난 DEWALT 제품을 수집하여 재활용하기 위한 시설을 운영하고 있습니다. 이 서비스를 활용하려면 당사가 폐제품 수거를 위한 공인 수리 대리점에 제품을 반환해 주십시오.

본 사용 설명서에 기재된 연락처로 가까운 DEWALT 영업소에 연락하면 가까운 공인 수리 대리점 위치를 확인할 수 있습니다. 또는 다음 웹사이트를 방문하여 DEWALT 수리 지정점 목록과 A/S 및 연락처 등 자세한 정보를 찾아볼 수 있습니다. [www.dewalt.co.kr](http://www.dewalt.co.kr)

# เครื่องเป่าลมแบบปรับความเร็วได้ DWB6800

## ขอแสดงความยินดี!

คุณได้เลือกใช้เครื่องมือของ DEWALT ด้วยประสบการณ์หลายปีที่ผ่านมาในการพัฒนาผลิตภัณฑ์และนวัตกรรมใหม่ๆ ทำให้ DEWALT เป็นหนึ่งในเครื่องมือไฟฟ้าที่นำเชื่อถือที่สุดสำหรับผู้ใช้เครื่องมือไฟฟ้าระดับมืออาชีพ

## ข้อมูลด้านเทคนิค

		DWB6800
แรงดันไฟฟ้า	โวลต์	220-240
ความถี่	เฮิร์ตซ์	50/60
กำลังไฟฟ้าเข้า	W	800
ความเร็วขณะไม่มีโหลด/นาที		0-16000
ปริมาณลม	ลบ.ม./นาที	4.5
น้ำหนัก	กก.	1.8

## คำจำกัดความ: ข้อแนะนำด้านความปลอดภัย

คำจำกัดความด้านล่างอธิบายถึงระดับความรุนแรงของค่าแต่ละค่าที่ใช้เรียกสัญลักษณ์ต่างๆ โปรดอ่านคู่มือและใส่ในกับสัญลักษณ์เหล่านี้



**อันตราย:** หมายถึงสถานการณ์ที่ก่อให้เกิดอันตรายได้อย่างฉับพลัน ซึ่งหากไม่ระวังจะทำให้เสียชีวิตหรือบาดเจ็บสาหัสได้



**คำเตือน:** หมายถึงสถานการณ์ที่มีแนวโน้มว่าจะก่อให้เกิดอันตราย ซึ่งหากไม่ระวังสามารถทำให้เกิดอันตรายถึงชีวิตหรือบาดเจ็บสาหัสได้



**ข้อควรระวัง:** หมายถึงสถานการณ์ที่มีแนวโน้มว่าจะก่อให้เกิดอันตราย ซึ่งถ้าไม่ระวัง อาจทำให้ได้รับบาดเจ็บเล็กน้อยหรือปานกลาง

**ข้อสังเกต:** หมายถึงการปฏิบัติ ที่ไม่เกี่ยวข้องกับการบาดเจ็บส่วนบุคคล ซึ่งหากไม่ระวัง อาจทำให้ทรัพย์สินเสียหาย



แสดงถึงอันตรายจากการถูกไฟฟ้าช็อต



แสดงถึงอันตรายจากการเกิดเพลิงไหม้



**คำเตือน:** เพื่อลดความเสี่ยงจากการบาดเจ็บ โปรดอ่านคู่มือการใช้งานเล่มนี้

## คำเตือนเพื่อความปลอดภัยทั่วไปสำหรับการใช้เครื่องมือไฟฟ้า



**คำเตือน! โปรดอ่านคำเตือนและข้อปฏิบัติเพื่อความปลอดภัยทั้งหมด** การไม่ปฏิบัติตามคำเตือนและข้อปฏิบัติเหล่านี้ อาจทำให้ถูกไฟฟ้าช็อต เกิดเพลิงไหม้และ/หรือได้รับบาดเจ็บสาหัสได้

## โปรดเก็บรักษาคำเตือนและข้อปฏิบัติทั้งหมดนี้ไว้เพื่อการอ้างอิงในภายหลัง

คำว่า "เครื่องมือไฟฟ้า" ในคำเตือน หมายถึงเครื่องมือไฟฟ้า (แบบมีสาย) ที่ทำงานผ่านแหล่งจ่ายไฟหลัก หรือเครื่องมือไฟฟ้า (แบบไร้สาย) ที่ทำงานผ่านแบตเตอรี่

### 1) ความปลอดภัยในบริเวณที่ทำงาน

- รักษาความสะอาดและจัดให้มีแสงสว่างเพียงพอในบริเวณที่ทำงาน** บริเวณที่มีมืดหรือมีของวางระเกะระกะอาจทำให้เกิดอุบัติเหตุได้
- ห้ามใช้เครื่องมือไฟฟ้าในบริเวณที่อาจเกิดการระเบิด** เช่น เมื่อมีของเหลว แก๊ส หรือ ฝุ่นละอองที่ไวไฟ เครื่องมือไฟฟ้าจะทำให้เกิดประกายไฟที่อาจทำให้เกิดละอองไฟหรือเปลวไฟขึ้นได้
- ระวังไม่ให้เด็กเล็กและคนเดินผ่านไปมาเข้าใกล้ในขณะที่ใช้งานเครื่องมือไฟฟ้า** สิ่งรบกวนอาจทำให้คุณเสียสมาธิได้

### 2) ความปลอดภัยทางไฟฟ้า

- ปลั๊กไฟของเครื่องต้องเป็นชนิดเดียวกับเต้ารับ ห้ามตัดแปลงปลั๊กไม่ว่าด้วยวิธีใด ห้ามใช้ปลั๊กอะแดปเตอร์ใดๆ กับเครื่องมือไฟฟ้าที่ต่อสายดิน (ลงกราวด์) ปลั๊กที่ไม่มีการตัดแปลงและเต้ารับชนิดเดียวกันจะขจัดความเสี่ยงจากการเกิดไฟฟ้าช็อต**
- หลีกเลี่ยงการสัมผัสพื้นผิวที่ต่อสายดินหรือลงกราวด์ เช่น ท่อ หม้อน้ำ เตาหม้อต้ม และตู้เย็น** มีความเสี่ยงเพิ่มขึ้นที่จะเกิดไฟฟ้าช็อตหากร่างกายเป็นสื่อเชื่อมต่อกับดินหรือลงกราวด์
- อย่าให้เครื่องมือไฟฟ้าถูกฝนหรืออยู่ในสภาพที่เปียกชื้น** น้ำที่เข้าเครื่องมือไฟฟ้าจะเพิ่มความเสี่ยงในการเกิดไฟฟ้าช็อต
- ห้ามใช้สายไฟผิดวัตถุประสงค์ ห้ามใช้สายไฟเพื่อการหิ้ว ดึง หรือถอดปลั๊กเครื่องมือไฟฟ้า** เก็บสายไฟให้พ้นจากความร้อน น้ำมันของมีคม หรือ ชิ้นส่วนที่กำลังเคลื่อนที่ สายไฟที่ชำรุดหรือพันกันเป็นการเพิ่มความเสี่ยงจากการถูกไฟฟ้าช็อต
- เมื่อใช้เครื่องมือไฟฟ้านอกอาคาร ให้ใช้สายต่อพ่วงที่เหมาะสมสำหรับการใช้งานนอกอาคาร** ใช้สายไฟที่เหมาะสมสำหรับใช้นอกอาคารจะช่วยลดความเสี่ยงต่อการเกิดไฟฟ้าช็อต
- หากไม่สามารถหลีกเลี่ยงความเสี่ยงการใช้เครื่องมือไฟฟ้าในบริเวณที่ชื้นและได้ ให้ใช้อุปกรณ์**

**ป้องกันไฟดูด (RCD)** การใช้ RCD จะเป็นการลดความเสี่ยงจากการถูกไฟฟ้าช็อต

### 3) ความปลอดภัยส่วนบุคคล

- ก) **ต้นตัวและมีสมาธิกับสิ่งที่คุณกำลังทำ** รวมทั้งใช้**สัญญาณมือ**ในขณะที่กำลังใช้งานเครื่องมือไฟฟ้า ห้ามใช้เครื่องมือไฟฟ้าในขณะที่คุณกำลังเหนื่อยหรือได้รับอิทธิพลจากยาแอลกอฮอล์ หรือการรักษาบางอย่าง การขาดความระมัดระวังในการใช้เครื่องมือไฟฟ้าแม้ชั่วขณะหนึ่งอาจทำให้บาดเจ็บสาหัสได้
- ข) **ใช้อุปกรณ์คุ้มครองความปลอดภัยส่วนบุคคลสวมอุปกรณ์ป้องกันดวงตาเสมอ** อุปกรณ์ป้องกัน เช่น หน้กากันฝุ่น รองเท้ากันภัยกันส้น หมวกกันภัย หรืออุปกรณ์ป้องกันเสียงดังที่ใช้ในสภาวะที่เหมาะสมจะช่วยลดอาการบาดเจ็บทางร่างกาย
- ค) **ป้องกันเครื่องเปิดทำงานโดยไม่ตั้งใจ** สวิตช์ต้องอยู่ในตำแหน่งปิดก่อนที่จะเสียบปลั๊กของเครื่องเข้ากับแหล่งจ่ายไฟ และ/หรือแบตเตอรี่ หรือก่อนยกหรือหิ้วเครื่องมือ การยกเครื่องมือไฟฟ้าในขณะที่นิ้วอยู่ที่สวิตช์ หรือใช้เครื่องมือไฟฟ้าที่สวิตช์เปิดอยู่ อาจทำให้เกิดอุบัติเหตุได้
- ง) **ถอดกุญแจปรับแต่งหรือประแจออกก่อนเปิดสวิตช์เครื่องมือไฟฟ้า** ประแจหรือกุญแจที่เสียบค้างอยู่ในชิ้นส่วนที่หมุนได้ของเครื่องมือไฟฟ้า อาจทำให้ได้รับบาดเจ็บได้
- จ) **ห้ามยืนเขย่งเท้าขณะใช้เครื่อง** ควรยืนในท่าที่เหมาะสมและสมดุลตลอดเวลา เพื่อช่วยในการควบคุมเครื่องมือไฟฟ้าได้ดียิ่งขึ้นในสถานการณ์ที่ไม่คาดคิด
- ฉ) **แต่งกายให้เหมาะสม** ห้ามสวมเสื้อผ้าหลวมหรือใส่เครื่องประดับ วมผม ชายเสื้อ และถุงมือให้ห่างจากชิ้นส่วนที่กำลังหมุน เสื้อผ้าที่หลวมหรือยาวรุ่มร่าม เครื่องประดับ หรือผมที่ยาวอาจเข้าไปพันกับชิ้นส่วนที่กำลังหมุน
- ช) **หากมีอุปกรณ์สำหรับดูดและเก็บฝุ่น** ต้องตรวจสอบให้แน่ใจว่าได้เชื่อมต่อและใช้งานอุปกรณ์นั้นอย่างเหมาะสม การใช้อุปกรณ์เก็บฝุ่นจะช่วยลดอันตรายที่เกี่ยวข้องกับฝุ่นได้

### 4) การใช้และการดูแลรักษาเครื่องมือไฟฟ้า

- ก) **ห้ามฝืนใช้เครื่องมือไฟฟ้า** เลือกใช้เครื่องมือไฟฟ้าที่ถูกตั้งตรงกับลักษณะการใช้งานของคุณ เครื่องมือไฟฟ้าที่ถูกดัดแปลงหรือดัดดีด้าและปลอดภัยกว่า เมื่อใช้งานตามที่คิดที่เครื่องมือได้รับการออกแบบมา
- ข) **ห้ามใช้เครื่องมือไฟฟ้าถ้าสวิตช์เปิดปิดเครื่องไม่ทำงาน** เครื่องมือไฟฟ้าที่ไม่สามารถควบคุมผ่านสวิตช์ได้ ถือว่ามีอันตรายและต้องส่งซ่อม
- ค) **ถอดปลั๊กของเครื่องมือไฟฟ้าออกจากแหล่งจ่ายไฟ และ/หรือ แบตเตอรี่ก่อนทำการปรับแต่ง** เปลี่ยนอุปกรณ์เสริม หรือจัดเก็บมาตรการเพื่อความปลอดภัยซึ่งป้องกันนี้จะช่วยลดความเสี่ยงในการเผลอเปิดเครื่องให้ทำงานโดยไม่ตั้งใจ

- ง) **เก็บเครื่องมือไฟฟ้าที่ไม่ได้ใช้งานไว้ในพื้นที่ปลอดภัย** และ**ไม่อนุญาตให้บุคคลที่ไม่คุ้นเคยกับเครื่องมือไฟฟ้าหรือข้อปฏิบัติเหล่านี้เป็นผู้ใช้เครื่องมือ** เครื่องมือไฟฟ้าจะเป็นอันตรายหากอยู่ในมือผู้ใช้ที่ไม่มีความชำนาญ
- จ) **บำรุงรักษาเครื่องมือไฟฟ้า** ตรวจสอบว่าชิ้นส่วนที่เคลื่อนที่ได้มีการวางไม่ตรงแนวหรือติดขัดหรือไม่ มีชิ้นส่วนที่แตกหัก และสภาพอื่นใดที่อาจส่งผลกระทบต่อการทำงานของเครื่องมือไฟฟ้าหรือไม่ หากชำรุดเสียหาย ให้นำเครื่องมือไปส่งซ่อมก่อนนำมาใช้ อุบัติเหตุจำนวนมากเกิดจากการดูแลรักษาเครื่องมือไฟฟ้าไม่ดีพอ
- ฉ) **เครื่องมือตัดต้องคมและสะอาดอยู่เสมอ** เครื่องมือตัดที่ได้รับการดูแลรักษาอย่างถูกต้องและมีขอบตัดคม จะมีปัญหาหัดขัดน้อย และควบคุมได้ง่ายกว่า
- ช) **ใช้เครื่องมือไฟฟ้า อุปกรณ์เสริม และดอก ส่วนของเครื่องมือ** เป็นต้น ให้ตรงตามข้อปฏิบัติเหล่านี้ โดยพิจารณาถึงสภาพการทำงานและงานที่ทำให้เป็นสำคัญ การใช้เครื่องมือไฟฟ้าทำงานอื่นนอกเหนือจากที่กำหนดไว้ อาจทำให้เกิดอันตรายได้

### 5) การบริการ

- ก) **ให้ช่างซ่อมที่มีความเชี่ยวชาญเป็นผู้ซ่อมเครื่องมือ และใช้อะไหล่แท้เท่านั้น** ซึ่งจะช่วยรับประกันได้ว่าเครื่องมือไฟฟ้ายังมีความปลอดภัยอยู่

### ข้อปฏิบัติเพื่อความปลอดภัยเพิ่มเติมสำหรับเครื่องเป่าลม

- ห้ามใช้เครื่องดูดแก้วหรือที่ยังติดไฟอยู่ เศษชิ้นโลหะที่ตัดใหม่ๆ สกรูและเศษเล็บ เป็นต้น
- อย่าปิดกั้นช่องดูดและช่องเป่าของเครื่อง
- ห้ามนำเครื่องลากผ่านเส้นทางหรือถนนที่เป็นกรวดในเขตที่เครื่องกำลังเปิดสวิตช์และอยู่ในโหมด เป่า/ดูด ควรเดิน ห้ามวิ่ง
- ควรยืนในท่าที่เหมาะสมโดยเฉพาะบนที่ลาดเอียงทุกครั้งที่ใช้งาน
- ห้ามยืนเขย่งเท้าและอยู่ในท่าที่สมดุลตลอดเวลา
- ห้ามนำช่องดูดหรือช่องเป่าของเครื่องหันเข้าสู่บริเวณหูหรือดวงตาในขณะที่ใช้งาน ห้ามเป่าเศษวัสดุไปยังทิศทางที่มีผู้อื่นใกล้เคียง
- พยายามให้ช่องอากาศเย็นเข้าทุกช่องปราศจากเศษวัสดุอยู่เสมอ
- เพื่อป้องกันเท้าและขาในระหว่างใช้งานเครื่อง ให้สวมรองเท้าสำหรับงานหนักและกางเกงขายาวด้วยทุกครั้ง
- อย่าปล่อยให้เด็กใช้เครื่อง
- ใส่แว่นตานิรภัยในระหว่างใช้งาน
- หากไม่สามารถหลีกเลี่ยงการใช้งานเครื่องในบริเวณที่ชื้นและได้ ให้ใช้อุปกรณ์ป้องกันไฟดูด (RCD) ที่มีการตั้งกระแสไฟฟ้กไม่เกิน 30mA

การใช้ RCD จะเป็นการลดความเสี่ยงจากการถูกไฟฟ้าช็อต

- เพื่อป้องกันการกระคายเคืองจากฝุ่นละออง ควรสวมหน้ากากป้องกันฝุ่น
- ถอดปลั๊กเครื่องออกจากแหล่งจ่ายไฟ
  - เมื่อไม่ได้ใช้งานเครื่อง
  - ก่อนกำจัดสิ่งอุดตัน
  - ก่อนตรวจสอบ ทำความสะอาดหรือใช้งานเครื่อง
  - กรณีที่เครื่องเริ่มมีอาการสันผิปกัด
- เก็บเครื่องไว้ในบริเวณที่แห้งเท่านั้น

### สัญลักษณ์บนเครื่องมือ

รูปภาพต่อไปนี้จะปรากฏบนเครื่องมือ:



โปรดอ่านคู่มือแนะนำการใช้ก่อนใช้งาน



สวมอุปกรณ์ป้องกันตา



สวมอุปกรณ์ป้องกันเสียงดัง



ระวังคนเดินผ่านไปมาเข้าใกล้



ปิดสวิตช์เครื่อง: ถอดปลั๊กออกจากแหล่งจ่ายไฟหลักก่อนทำความสะอาดหรือบำรุงรักษาเครื่อง



ห้ามสัมผัสกับพัดลมของเครื่อง

### ตำแหน่งของรหัสวันที่

รหัสวันที่ซึ่งแสดง ปีที่ผลิตเอาไว้ด้วย จะพิมพ์อยู่บนตัวเครื่องบริเวณที่เป็นจุดเชื่อมต่อระหว่างเครื่องมือกับแบตเตอรี่

ตัวอย่างเช่น:

2015 XX XX

ปีที่ผลิต

### สิ่งที่อยู่ในบรรจุภัณฑ์

ภายในบรรจุภัณฑ์ประกอบด้วย:  
เครื่องเป่าลม 1 เครื่อง  
ถุงเก็บฝุ่น 1 ใบ  
คู่มือการใช้งาน 1 เล่ม

หัวเป่าลม 1 ชิ้น

- โปรดตรวจหาร่องรอยความเสียหายของเครื่องมือชิ้นส่วน หรืออุปกรณ์เสริม ที่อาจเกิดขึ้นในระหว่างการขนส่ง
- โปรดอ่านและทำความเข้าใจคู่มือเล่มนี้ก่อนการใช้งาน

### คำอธิบาย (รูปที่ 1, 4)



คำเตือน: ห้ามปรับแต่งเครื่องมือไฟฟ้าหรือชิ้นส่วนใดๆ โดยเด็ดขาด เพราะอาจทำให้เครื่องมือชำรุดหรือได้รับบาดเจ็บได้

- ก) หัวเป่าลม
- ข) ช่องเป่า
- ค) สวิตช์
- ง) ปุ่มปรับระดับความเร็ว
- จ) ปุ่มล็อค
- ฉ) ช่องดูด
- ช) ถุงเก็บฝุ่น

### วัตถุประสงค์ในการใช้งาน

เครื่องเป่าลม DWB6800 ได้รับการออกแบบมา เพื่อใช้เป่าและทำความสะอาด รวมทั้งใช้สำหรับงานดูดที่ไม่แรงมาก

### ความปลอดภัยทางไฟฟ้า

มอเตอร์ไฟฟ้าออกแบบมาเพื่อใช้กับแรงดันไฟฟ้าขนาดเดียวเท่านั้น ต้องตรวจสอบกำลังไฟเพื่อให้ตรงกับแรงดันไฟฟ้าบนแผ่นแสดงที่กักเสมอ



เครื่องมือ DEWALT ใช้ระบบจนวนสองขั้ว จึงไม่จำเป็นต้องใช้สายดิน

ถ้าสายไฟของตัวเครื่องชำรุดเสียหาย ต้องเปลี่ยนเป็นสายไฟที่จัดเตรียมมาเป็นพิเศษซึ่งสั่งซื้อได้จากศูนย์บริการของ DEWALT

### การใช้สายพ่วง

ในกรณีที่จำเป็นต้องใช้สายพ่วง ให้ใช้สายพ่วง ที่เหมาะสมกับปริมาณไฟเข้าของอุปกรณ์ (ดูที่ ข้อมูลทางเทคนิค) ขนาดของสายนำไฟฟ้าต่ำสุดคือ 51.5 มม.<sup>2</sup> ความยาวสูงสุดคือ 30 ม.

เมื่อมีการใช้อุปกรณ์ม้วนเก็บสายไฟ ให้คลายสายไฟออกจนหมดทุกครั้ง

### การต่อกับสายเมน

แหล่งจ่ายไฟหลักที่จะใช้กับเครื่องนี้ต้องติดตั้งฟิวส์ตัดเอาต์ 16 A พร้อมตัวหน่วงเวลา



## แรงดันไฟตก

กระแสไฟที่ไหลเข้าอาจทำให้เกิดสภาวะแรงดันไฟตกในช่วงสั้นๆ ในสภาพแหล่งจ่ายไฟที่ไม่เหมาะสม อุปกรณ์อื่นอาจได้รับผลกระทบ

หากมีความต้านทานไฟฟ้าในระบบของแหล่งจ่ายไฟต่ำกว่า 0.11 Ω การรบกวนต่างๆ ไม่น่าจะเกิดขึ้น

## แหล่งจ่ายไฟ

ตรวจสอบให้แน่ใจว่าแหล่งจ่ายไฟของคุณตรงกับที่ระบุบนแผ่นป้าย แรงดันไฟฟ้าที่ลดลงมากกว่า 10 เปอร์เซ็นต์ จะทำให้เกิดการสูญเสียกำลังและความร้อนสูงเกิน

## การใช้งาน

### การใส่หัวเป่าลมเพื่อใช้งานการเป่าลม (รูป A)

- ใส่สลักที่อยู่ด้านในหัวเป่าลม (A) ให้เข้าไปในรอยบากที่อยู่ในช่องเป่า (B)
- หากต้องการล็อคหัวเป่าลมให้เข้าที่ ให้หมุนหัวเป่าลมไปตามทิศทางที่ระบุ
- หากต้องการถอดหัวเป่าลมออก ให้หมุนหัวเป่าลมไปในทิศทางตรงกันข้าม

### การใส่หัวเป่าลมและถุงเก็บฝุ่นในการดูดฝุ่น (รูป B)

- หากต้องการดูดฝุ่นให้สวมถุงเก็บฝุ่นเข้ากับช่องเป่า (B) และใส่หัวเป่าลมเข้ากับช่องดูด (F)
- หากต้องการถอดถุงเก็บฝุ่นและหัวเป่าลมออกสามารถดึงออกได้ง่ายเพียงหมุนไปในทิศทางตรงข้ามแค่หนึ่งรอบ
- หมั่นนำฝุ่นในถุงเก็บฝุ่นไปทิ้งให้หมด เพื่อให้การดูดฝุ่นมีประสิทธิภาพสูงสุดอยู่เสมอ

### การใช้งานเครื่องเป่าลม (รูป C)

- หากต้องการเปิดสวิตช์เครื่องเป่าลม ให้กดสวิตช์ (C) หากต้องการปิดเครื่องเป่าลม ให้ปล่อยสวิตช์
- ปรับปุ่มปรับระดับความเร็ว (D) ตามความเร็วระดับต่างๆ ที่ต้องการ
- เมื่อต้องการใช้งานต่อเนื่อง เริ่มจากให้กดสวิตช์ จากนั้นกดปุ่มล็อค (E) และเมื่อต้องการปลดล็อค ให้บีบแล้วปล่อยสวิตช์



**คำเตือน:** ไม่ควรใช้งานเครื่องต่อเนื่องเกิน 30 นาที

### การเปลี่ยนแปรงถ่าน (รูป D)

- ใช้ไขควงถอดฝาครอบตัวยึดแปรงถ่าน
- นำแปรงถ่านที่สึกหรอออกใส่แปรงถ่านอันใหม่แล้วขันฝาครอบตัวยึดแปรงถ่านให้แน่น



**คำเตือน:** ถอดและตรวจสอบแปรงถ่านอยู่เสมอ เปลี่ยนอันใหม่ เมื่อสึกหรอถึงตำแหน่งขีดจำกัดการใช้งาน

### อุปกรณ์เสริม

สมรรถนะของเครื่องมือของคุณขึ้นอยู่กับอุปกรณ์เสริมที่ใช้ อุปกรณ์เสริมของ DEWALT ได้รับการออกแบบทางวิศวกรรมให้มีความทนทานคุณภาพสูง และเพิ่มสมรรถนะของเครื่องมือของคุณ เมื่อใช้อุปกรณ์เสริมเหล่านี้ คุณจะสามารถใช้เครื่องมือของคุณได้อย่างมีประสิทธิภาพสูงสุด

### การบำรุงรักษา

เครื่องมือไฟฟ้า DEWALT ออกแบบมาเพื่อให้สามารถใช้งานได้อย่างยาวนานโดยมีการบำรุงรักษาน้อยที่สุด การทำงานที่สร้างความพึงพอใจอย่างต่อเนื่องจะขึ้นอยู่กับ การดูแลรักษาที่เหมาะสมและการทำความสะอาดอย่างสม่ำเสมอ



**คำเตือน:** ก่อนทำการบำรุงรักษาเครื่องมือ ให้ปิดสวิตช์และถอดปลั๊กเครื่องมือทุกครั้ง

- ทำความสะอาดของระบายอากาศในเครื่องมือของคุณเป็นประจำโดยใช้แปรงขนอ่อนหรือผ้าแห้ง
- ทำความสะอาดตัวมอเตอร์เป็นประจำโดยใช้ผ้าชุบน้ำหมาดๆ ห้ามใช้น้ำยาทำความสะอาดที่มีฤทธิ์กัดกร่อนหรือมีส่วนผสมของตัวทำละลาย



### การหล่อลื่น

ไม่ต้องใช้สารหล่อลื่นเพิ่มเติมกับเครื่องมือไฟฟ้านี้



### การทำความสะอาด



**คำเตือน:** หมั่นเป่าสิ่งสกปรกและฝุ่นละอองที่สะสมออกจากตัวเครื่องเป็นประจำด้วยลมแห้ง เนื่องจากสิ่งสกปรกมีสะสมอยู่ภายในและรอบๆ ช่องระบายอากาศ สวมอุปกรณ์ป้องกันดวงตาและหน้ากากกันฝุ่นที่ได้มาตรฐานในขณะที่ดำเนินการขั้นตอนนี้



**คำเตือน:** ห้ามใช้สารที่เป็นตัวทำละลายหรือสารเคมีที่มีฤทธิ์กัดกร่อนรุนแรงอื่นๆ ทำความสะอาดชิ้นส่วนของเครื่องมือที่ไม่ใช่

โลหะ สารเคมีเหล่านี้อาจส่งผลต่อวัสดุที่ใช้  
ในชิ้นส่วนเหล่านี้ ใช้เฉพาะผ้าขมบน้ำสบู่  
อ่อนๆ เท่านั้น อย่าให้มีของเหลวใดๆ เข้าไป  
ในเครื่องมือเด็ดขาด ห้ามจุ่มส่วนใดๆ ของ  
เครื่องมือลงในของเหลวเด็ดขาด

## การปกป้องสิ่งแวดล้อม



การเก็บรวบรวมแบบคัดแยก ห้ามทิ้ง  
ผลิตภัณฑ์นี้รวมกับขยะในครัวเรือนปกติ

หากวันหนึ่งคุณจำเป็นต้องเปลี่ยนผลิตภัณฑ์  
DEWALT ของคุณ หรือเครื่องมือนี้ไม่เป็นที่พอใจสำหรับ  
คุณอีกต่อไป อย่าทิ้งผลิตภัณฑ์นี้รวมกับขยะในครัวเรือน  
จัดการกับผลิตภัณฑ์นี้เพื่อให้พร้อมสำหรับการเก็บรวบรวม  
แบบคัดแยก



การเก็บรวบรวมแบบคัดแยกสำหรับบรรจุ  
ภัณฑ์และผลิตภัณฑ์ที่ใช้แล้วทำให้สามารถ  
รีไซเคิลวัสดุและนำมาใช้งานอีกครั้ง การนำ  
วัสดุรีไซเคิลมาใช้ใหม่จะช่วยป้องกันมลพิษ  
ต่อสิ่งแวดล้อมและลด  
ความต้องการวัตถุดิบ

ตามกฎหมายท้องถิ่นอาจมีการจัดเตรียมสถานที่สำหรับการ  
การเก็บรวบรวมแบบคัดแยกอุปกรณ์ไฟฟ้าที่ใช้ภายในครัว  
เรือนไว้ ณ แหล่งรับขยะของเทศบาล หรืออาจมีการรับ  
อุปกรณ์ใช้แล้วจากผู้ค้าปลีกในกรณีที่คุณซื้อผลิตภัณฑ์  
ชิ้นใหม่

คุณสามารถตรวจสอบที่อยู่ของตัวแทนซ่อมที่ได้รับ  
อนุญาตที่อยู่ใกล้คุณมากที่สุดได้โดยการติดต่อสำนักงาน  
ของ DEWALT ในพื้นที่ของคุณตามที่อยู่ทีระบุในคู่มือนี้  
นอกจากนี้ ยังมีรายชื่อตัวแทนซ่อมที่ได้รับอนุญาตของ  
DEWALT และข้อมูลการบริการหลังการขายของเรา และ  
ข้อมูลการติดต่อโดยละเอียดแสดงบนทางอินเทอร์เน็ตที่  
[www.2helpU.com](http://www.2helpU.com)



