

---

# **DEWALT**

---

## ***XR LI-ION***

**[www.DEWALT.com](http://www.DEWALT.com)**

**DCS578**

**DCS579**

---

English (*original instructions*)

10

---

简体中文

24

---

繁體中文

35

---

한국어

46

---

Fig. A  
图A  
圖A  
그림A

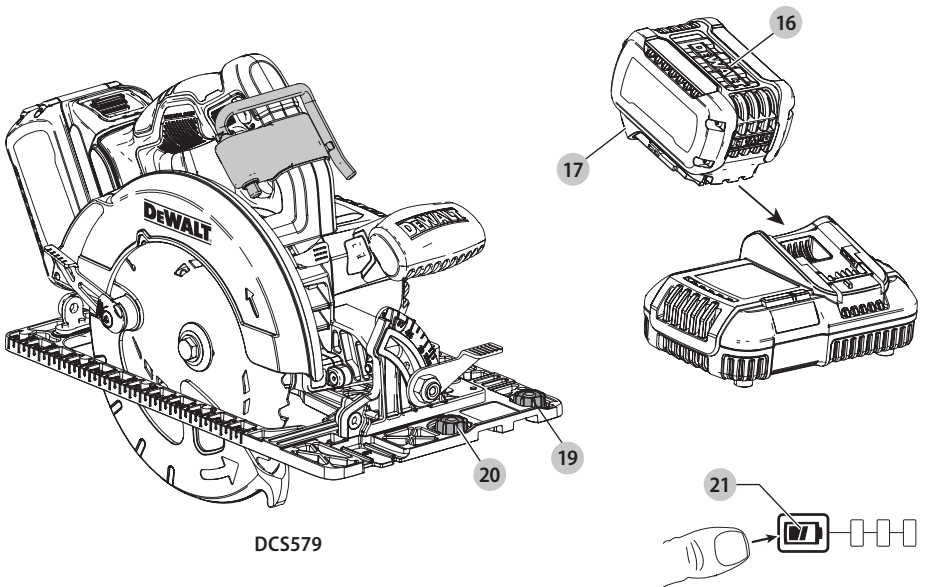
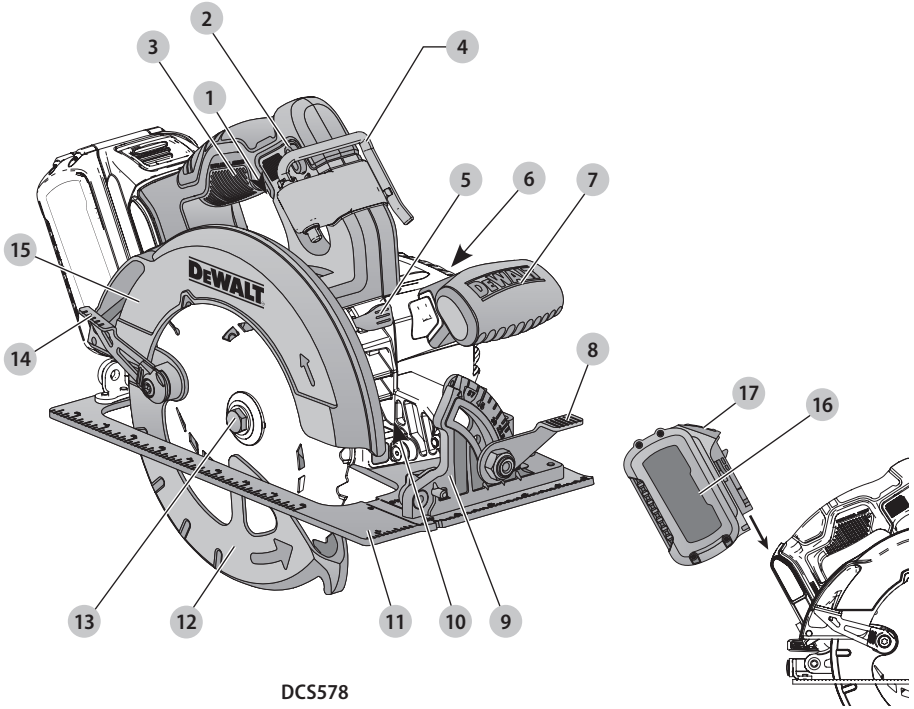


Fig. B  
图B  
圖B  
그림B

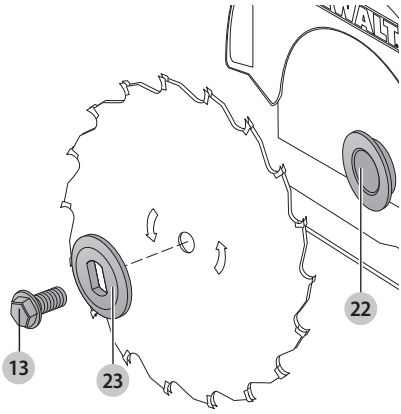


Fig. C  
图C  
圖C  
그림C

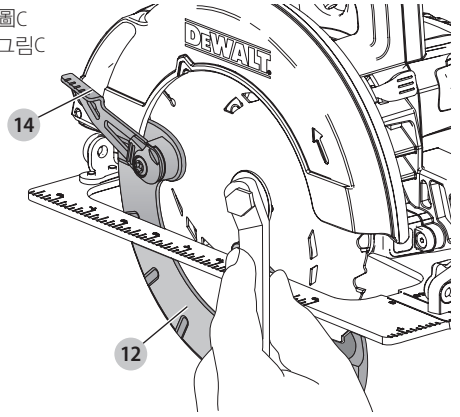


Fig. D  
图D  
圖D  
그림D

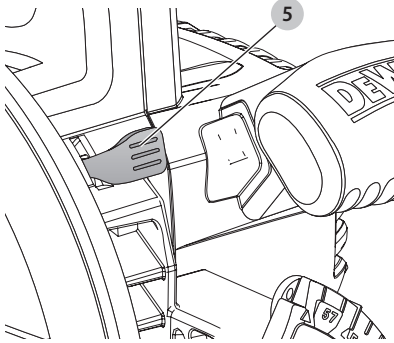


Fig. E  
图E  
圖E  
그림E

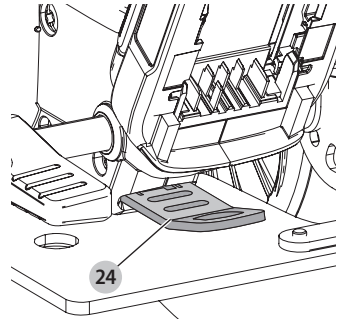


Fig. F  
图F  
圖F  
그림F

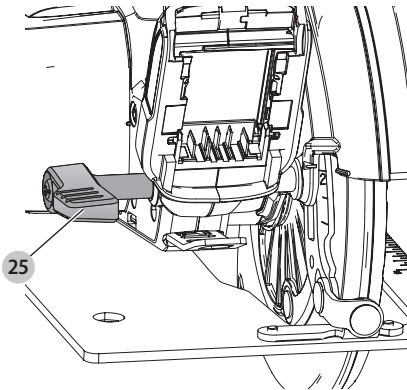


Fig. G  
图G  
圖G  
그림G

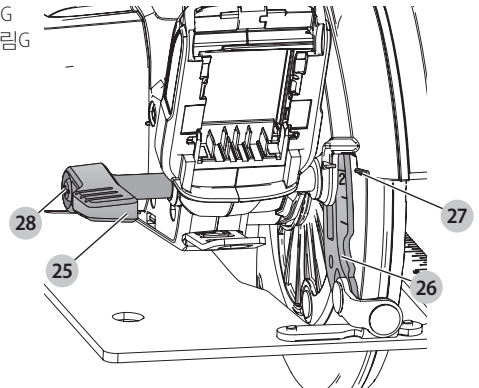


Fig. H  
图H  
圖H  
그림H

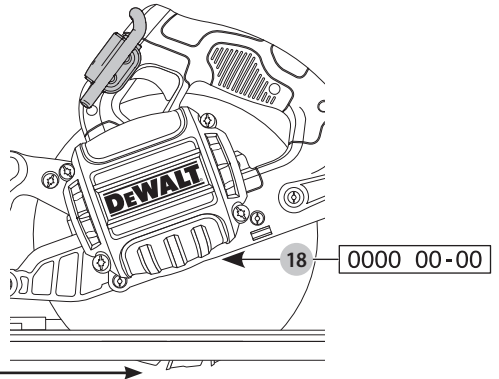
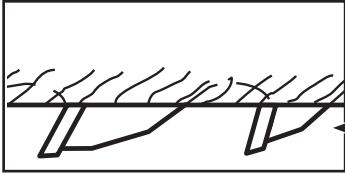


Fig. I  
图I  
圖I  
그림I

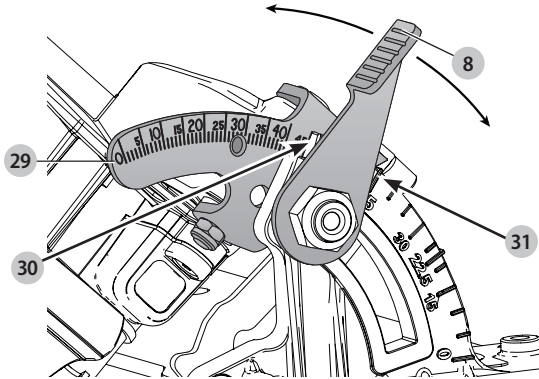
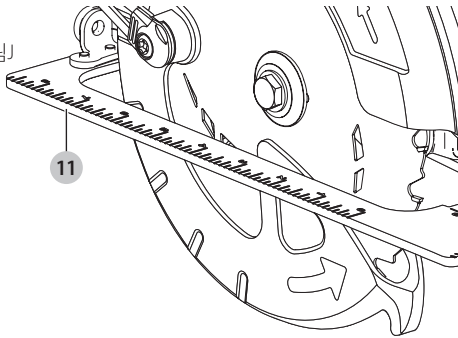
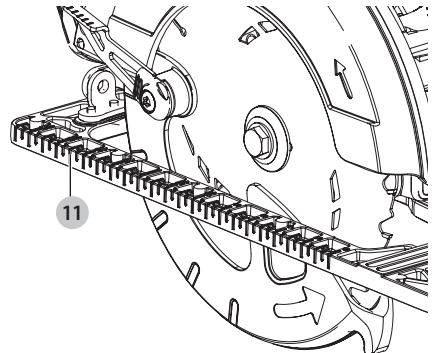


Fig. J  
图J  
圖J  
그림J



DCS578



DCS579

Fig. K  
图K  
圖K  
그림K

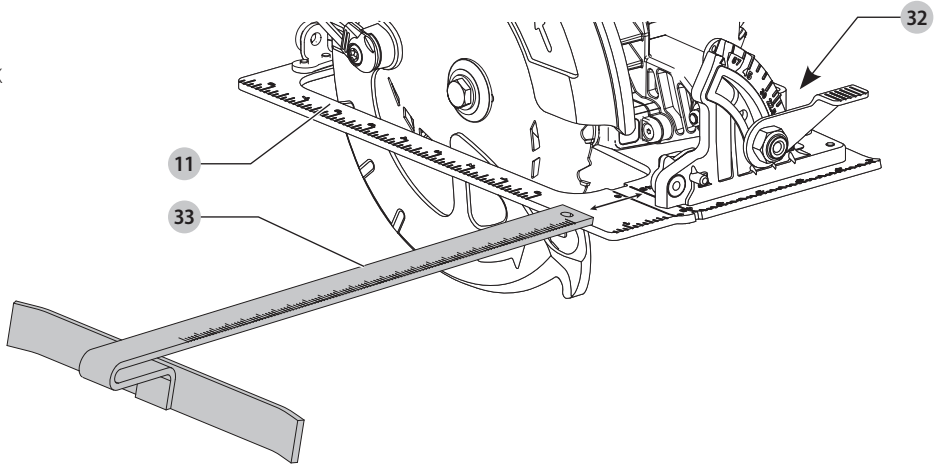


Fig. L  
图L  
圖L  
그림L

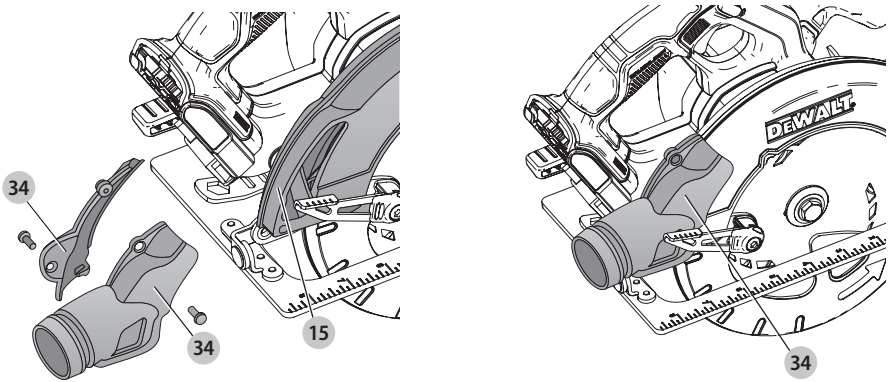


Fig. M  
图M  
圖M  
그림M

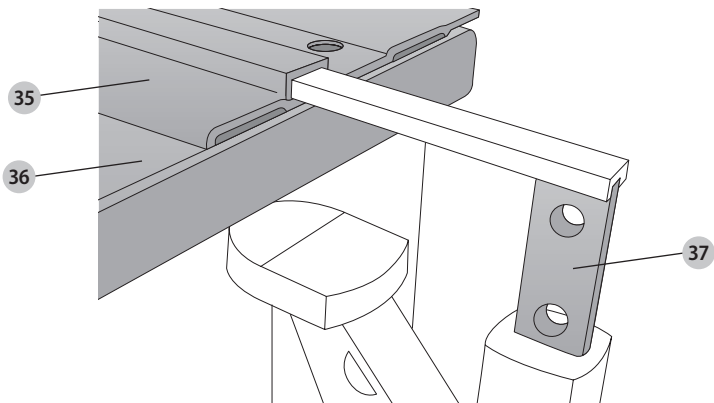


Fig. N  
图N  
圖N  
그림N

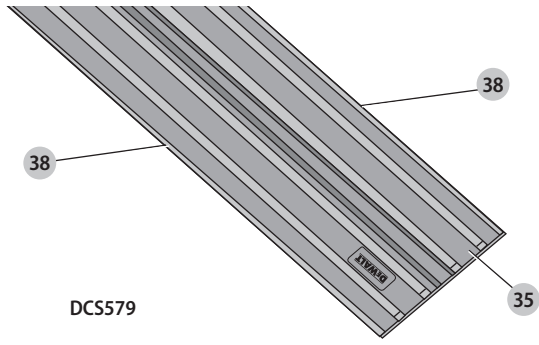


Fig. O  
图O  
圖O  
그림O

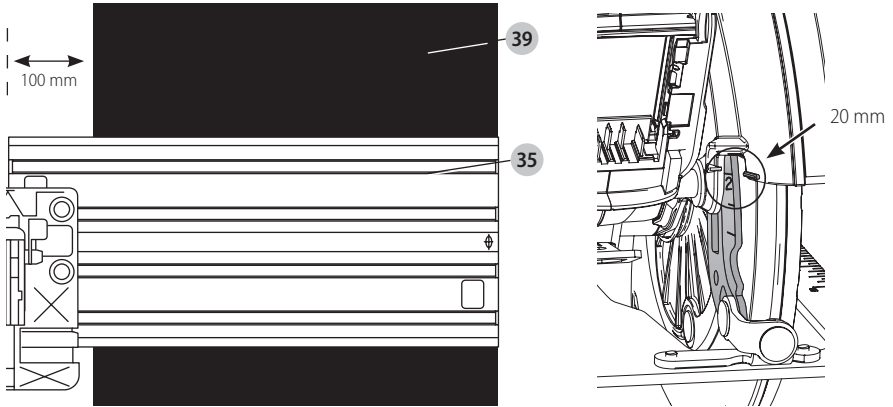


Fig. P  
图P  
圖P  
그림P

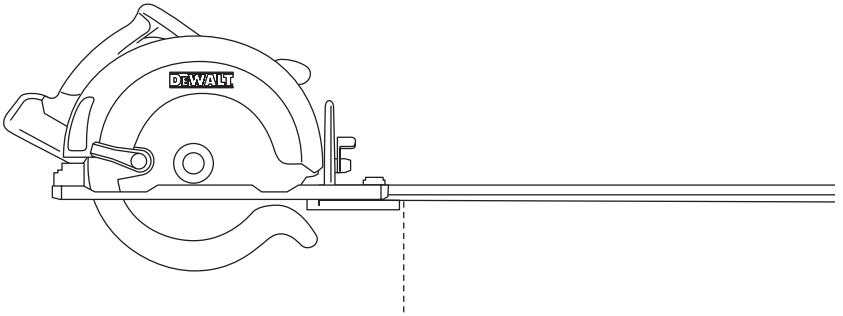
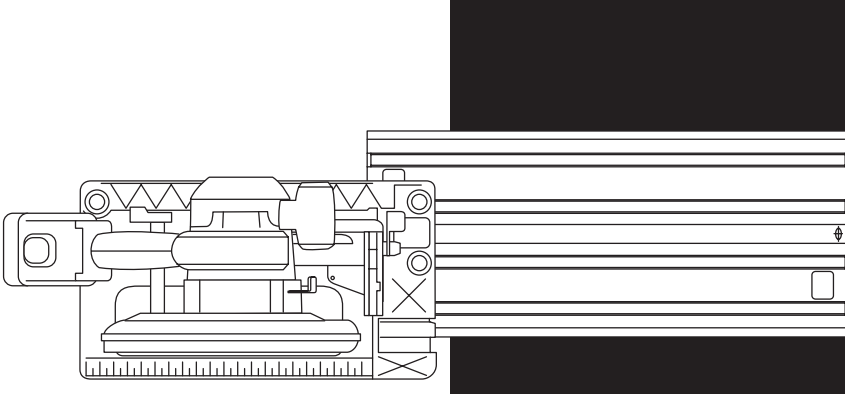


Fig. Q  
图Q  
圖Q  
그림Q

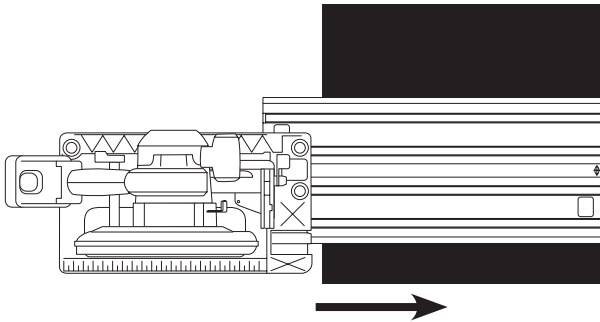




Fig. R  
图R  
圖R  
그림R

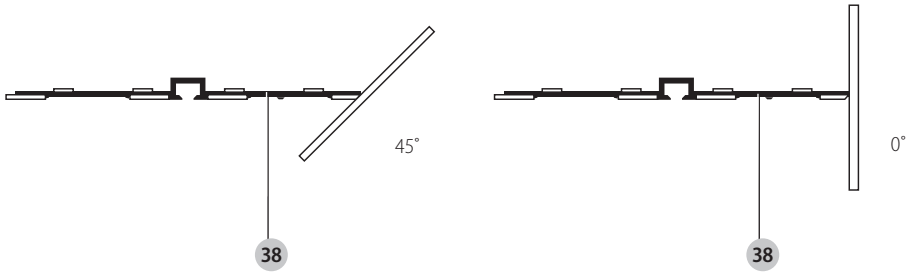


Fig. S  
图S  
圖S  
그림S

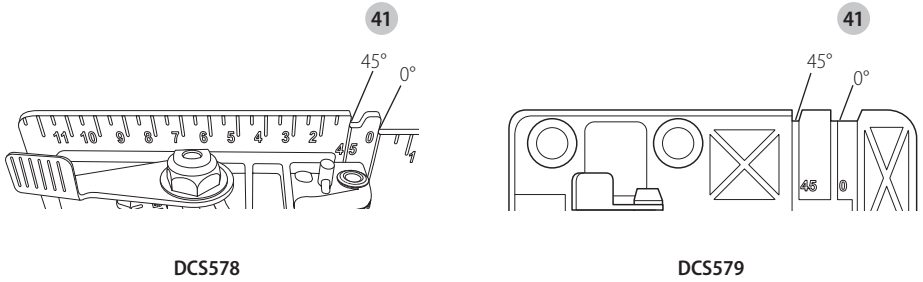


Fig. T  
图T  
圖T  
그림T

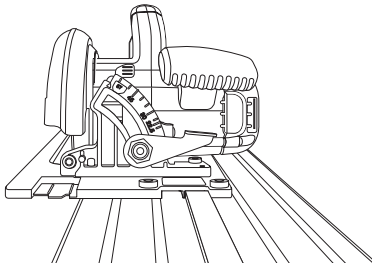


Fig. U  
图U  
圖U  
그림U

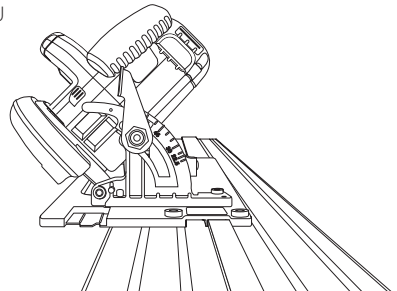


Fig. V  
图V  
圖V  
그림V

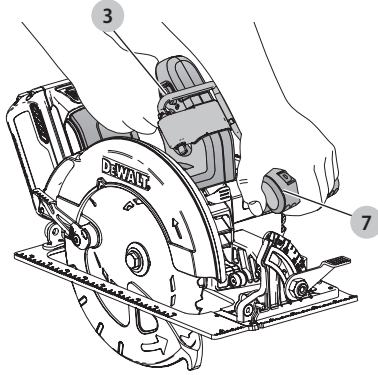


Fig. W  
图W  
圖W  
그림W

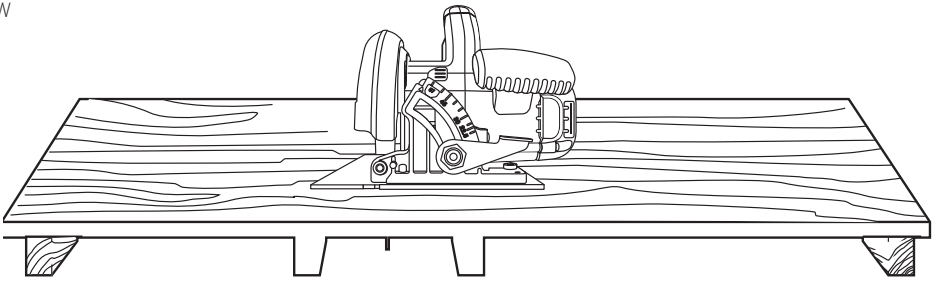


Fig. X  
图X  
圖X  
그림X

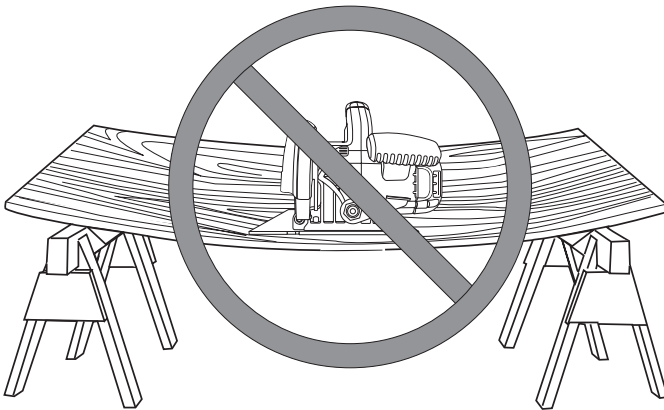


Fig. Y  
图Y  
圖Y  
그림Y

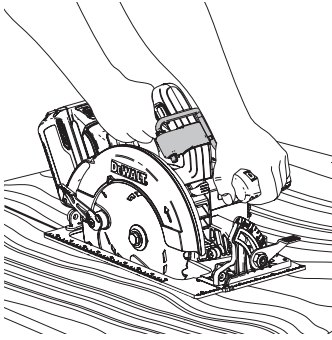


Fig. Z  
图Z  
圖Z  
그림Z



Fig. AA  
图AA  
圖AA  
그림AA

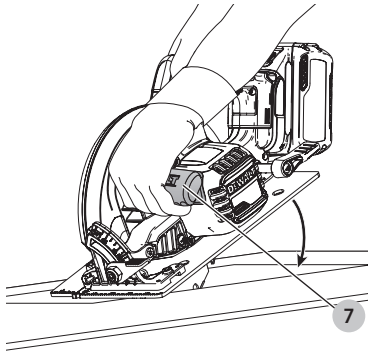


Fig. BB  
图BB  
圖BB  
그림BB

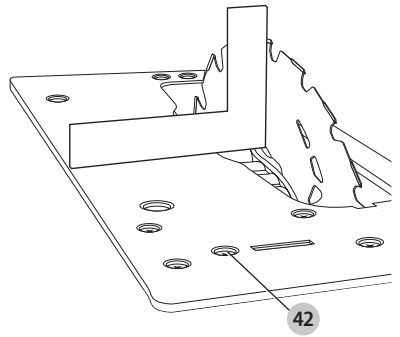


Fig. CC  
图CC  
圖CC  
그림CC

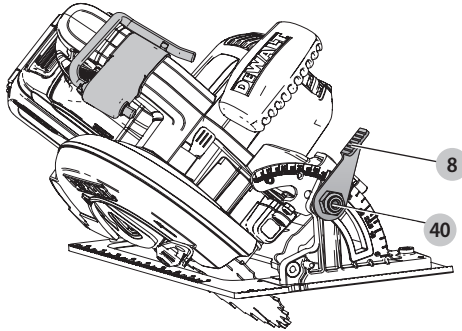
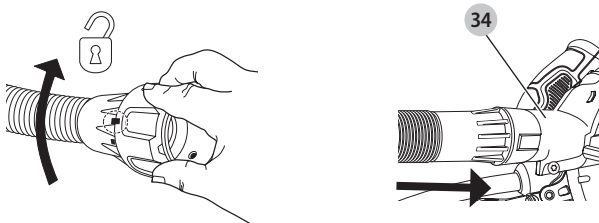


Fig. DD  
图DD  
圖DD  
그림DD



# 190 mm / 184 mm 54V CORDLESS CIRCULAR SAW

## DCS578, DCS579

### Congratulations!

You have chosen a DeWALT tool. Years of experience, thorough product development and innovation make DeWALT one of the most reliable partners for professional power tool users.

### Technical Data

		DCS578 (KR & B1)	DCS578 (TW)	DCS578 (A9)	DCS579
Voltage	V <sub>DC</sub>	54(60 Max)	54(60 Max)	54(60 Max)	54(60 Max)
Battery type		Li-Ion	Li-Ion	Li-Ion	Li-Ion
No-load speed	min <sup>-1</sup>	5800	5800	5800	5800
Blade diameter	mm	184	190	184	184
Maximum depth of cut	mm	64	67	64	58
Blade bore	mm	19	25.4	20	30
Bevel angle adjustment		57	57	57	57
Weight (without battery pack)	kg	3.6	3.6	3.6	3.7

Maximum initial battery voltage (measured without a workload) is 60 volts. Nominal voltage is 54 volts.

Batteries				Charger/Charger Times(Minutes)									
Cat #	V	Ah	(kg)	DCB104	DCB107	DCB112	DCB113	DCB115	DCB116	DCB117	DCB118	DCB132	DCB119
DCB546/DCB606	18/54 (20/60 Max)	6.0/2.0	1.05	60	270	170	140	90	80	40	60	90	X
DCB547/DCB609	18/54 (20/60 Max)	9.0/3.0	1.46	75*	420	270	220	135*	110*	60	75*	135*	X
DCB548/DCB612	18/54 (20/60 Max)	12.0/4.0	1.44	120	540	350	300	180	150	80	120	180	X

Date code 201811475B or later

### Definitions: Safety Guidelines

The definitions below describe the level of severity for each signal word. Please read the manual and pay attention to these symbols.



**DANGER:** Indicates an imminently hazardous situation which, if not avoided, **will** result in **death or serious injury**.



**WARNING:** Indicates a potentially hazardous situation which, if not avoided, **could** result in **death or serious injury**.



**CAUTION:** Indicates a potentially hazardous situation which, if not avoided, **may** result in **minor or moderate injury**.

**NOTICE:** Indicates a practice **not related to personal injury** which, if not avoided, **may** result in **property damage**.



Denotes risk of electric shock.



Denotes risk of fire.

### GENERAL POWER TOOL SAFETY WARNINGS



**WARNING:** Read all safety warnings, instructions, illustrations and specifications provided with this power tool. Failure to follow all instructions listed below may result in electric shock, fire and/or serious injury.

### SAVE ALL WARNINGS AND INSTRUCTIONS FOR FUTURE REFERENCE.

The term "power tool" in the warnings refers to your mains-operated (corded) power tool or battery-operated (cordless) power tool.

#### 1) Work Area Safety

- Keep work area clean and well lit.** Cluttered or dark areas invite accidents.
- Do not operate power tools in explosive atmospheres, such as in the presence of flammable liquids, gases or dust.** Power tools create sparks which may ignite the dust or fumes.
- Keep children and bystanders away while operating a power tool.** Distractions can cause you to lose control.

#### 2) Electrical Safety

- Power tool plugs must match the outlet. Never modify the plug in any way. Do not use any adapter plugs with earthed (grounded) power tools.** Unmodified plugs and matching outlets will reduce risk of electric shock.
- Avoid body contact with earthed or grounded surfaces such as pipes, radiators, ranges and refrigerators.** There is an increased risk of electric shock if your body is earthed or grounded.

- c) **Do not expose power tools to rain or wet conditions.** Water entering a power tool will increase the risk of electric shock.
  - d) **Do not abuse the cord. Never use the cord for carrying, pulling or unplugging the power tool. Keep cord away from heat, oil, sharp edges or moving parts.** Damaged or entangled cords increase the risk of electric shock.
  - e) **When operating a power tool outdoors, use an extension cord suitable for outdoor use.** Use of a cord suitable for outdoor use reduces the risk of electric shock.
  - f) **If operating a power tool in a damp location is unavoidable, use a residual current device (RCD) protected supply.** Use of an RCD reduces the risk of electric shock.
- b) **Do not use the power tool if the switch does not turn it on and off.** Any power tool that cannot be controlled with the switch is dangerous and must be repaired.
  - c) **Disconnect the plug from the power source and/or remove the battery pack, if detachable, from the power tool before making any adjustments, changing accessories, or storing power tools.** Such preventive safety measures reduce the risk of starting the power tool accidentally.
  - d) **Store idle power tools out of the reach of children and do not allow persons unfamiliar with the power tool or these instructions to operate the power tool.** Power tools are dangerous in the hands of untrained users.
  - e) **Maintain power tools and accessories. Check for misalignment or binding of moving parts, breakage of parts and any other condition that may affect the power tool's operation. If damaged, have the power tool repaired before use.** Many accidents are caused by poorly maintained power tools.
  - f) **Keep cutting tools sharp and clean.** Properly maintained cutting tools with sharp cutting edges are less likely to bind and are easier to control.
  - g) **Use the power tool, accessories and tool bits, etc. in accordance with these instructions, taking into account the working conditions and the work to be performed.** Use of the power tool for operations different from those intended could result in a hazardous situation.
  - h) **Keep handles and grasping surfaces dry, clean and free from oil and grease.** Slippery handles and grasping surfaces do not allow for safe handling and control of the tool in unexpected situations.

### 3) Personal Safety

- a) **Stay alert, watch what you are doing and use common sense when operating a power tool. Do not use a power tool while you are tired or under the influence of drugs, alcohol or medication.** A moment of inattention while operating power tools may result in serious personal injury.
- b) **Use personal protective equipment. Always wear eye protection.** Protective equipment such as a dust mask, non-skid safety shoes, hard hat or hearing protection used for appropriate conditions will reduce personal injuries.
- c) **Prevent unintentional starting. Ensure the switch is in the off-position before connecting to power source and/or battery pack, picking up or carrying the tool.** Carrying power tools with your finger on the switch or energising power tools that have the switch on invites accidents.
- d) **Remove any adjusting key or wrench before turning the power tool on.** A wrench or a key left attached to a rotating part of the power tool may result in personal injury.
- e) **Do not overreach. Keep proper footing and balance at all times.** This enables better control of the power tool in unexpected situations.
- f) **Dress properly. Do not wear loose clothing or jewellery. Keep your hair and clothing away from moving parts.** Loose clothes, jewellery or long hair can be caught in moving parts.
- g) **If devices are provided for the connection of dust extraction and collection facilities, ensure these are connected and properly used.** Use of dust collection can reduce dust-related hazards.
- h) **Do not let familiarity gained from frequent use of tools allow you to become complacent and ignore tool safety principles.** A careless action can cause severe injury within a fraction of a second.

### 4) Power Tool Use and Care

- a) **Do not force the power tool. Use the correct power tool for your application.** The correct power tool will do the job better and safer at the rate for which it was designed.

### 5) Battery Tool Use and Care

- a) **Recharge only with the charger specified by the manufacturer.** A charger that is suitable for one type of battery pack may create a risk of fire when used with another battery pack.
- b) **Use power tools only with specifically designated battery packs.** Use of any other battery packs may create a risk of injury and fire.
- c) **When battery pack is not in use, keep it away from other metal objects, like paper clips, coins, keys, nails, screws or other small metal objects, that can make a connection from one terminal to another.** Shorting the battery terminals together may cause burns or a fire.
- d) **Under abusive conditions, liquid may be ejected from the battery; avoid contact. If contact accidentally occurs, flush with water. If liquid contacts eyes, additionally seek medical help.** Liquid ejected from the battery may cause irritation or burns.
- e) **Do not use a battery pack or tool that is damaged or modified.** Damaged or modified batteries may exhibit unpredictable behaviour resulting in fire, explosion or risk of injury.
- f) **Do not expose a battery pack or tool to fire or excessive temperature.** Exposure to fire or temperature above 130 °C may cause explosion.

- g) **Follow all charging instructions and do not charge the battery pack or tool outside the temperature range specified in the instructions.** Charging improperly or at temperatures outside the specified range may damage the battery and increase the risk of fire.

## 6) Service

- a) **Have your power tool serviced by a qualified repair person using only identical replacement parts.** This will ensure that the safety of the power tool is maintained.
- b) **Never service damaged battery packs.** Service of battery packs should only be performed by the manufacturer or authorized service providers.

## Safety Instructions for All Saws

### Cutting Procedures

- a) **⚠ DANGER: Keep hands away from cutting area and the blade. Keep your second hand on auxiliary handle, or motor housing.** If both hands are holding the saw, they cannot be cut by the blade.
- b) **Do not reach underneath the workpiece.** The guard cannot protect you from the blade below the workpiece.
- c) **Adjust the cutting depth to the thickness of the workpiece.** Less than a full tooth of the blade teeth should be visible below the workpiece.
- d) **Never hold the workpiece in your hands or across your leg while cutting. Secure the workpiece to a stable platform.** It is important to support the work properly to minimize body exposure, blade binding, or loss of control.
- e) **Hold the power tool by insulated gripping surfaces, when performing an operation where the cutting tool may contact hidden wiring.** Contact with a "live" wire will also make exposed metal parts of the power tool "live" and could give the operator an electric shock.
- f) **When ripping always use a rip fence or straight edge guide.** This improves the accuracy of cut and reduces the chance of blade binding.
- g) **Always use blades with correct size and shape (diamond versus round) of arbour holes.** Blades that do not match the mounting hardware of the saw will run off-centre, causing loss of control.
- h) **Never use damaged or incorrect blade washers or bolt.** The blade washers and bolt were specially designed for your saw, for optimum performance and safety of operation.

- If the blade becomes twisted or misaligned in the cut, the teeth at the back edge of the blade can dig into the top surface of the wood causing the blade to climb out of the kerf and jump back toward the operator.

Kickback is the result of saw misuse and/or incorrect operating procedures or conditions and can be avoided by taking proper precautions as given below:

- a) **Maintain a firm grip with both hands on the saw and position your arms to resist kickback forces. Position your body to either side of the blade, but not in line with the blade.** Kickback could cause the saw to jump backwards, but kickback forces can be controlled by the operator, if proper precautions are taken.
- b) **When blade is binding, or when interrupting a cut for any reason, release the trigger and hold the saw motionless in the material until the blade comes to a complete stop. Never attempt to remove the saw from the work or pull the saw backward while the blade is in motion or kickback may occur.** Investigate and take corrective actions to eliminate the cause of blade binding.
- c) **When restarting a saw in the workpiece, centre the saw blade in the kerf and check that saw teeth are not engaged into the material.** If saw blade binds, it may walk up or kickback from the workpiece as the saw is restarted.
- d) **Support large panels to minimise the risk of blade pinching and kickback. Large panels tend to sag under their own weight.** Supports must be placed under the panel on both sides, near the line of cut and near the edge of the panel.
- e) **Do not use dull or damaged blades.** Unsharpened or improperly set blades produce narrow kerf causing excessive friction, blade binding and kickback.
- f) **Blade depth and bevel adjusting locking levers must be tight and secure before making the cut.** If blade adjustment shifts while cutting, it may cause binding and kickback.
- g) **Use extra caution when sawing into existing walls or other blind areas.** The protruding blade may cut objects that can cause kickback.

## Safety Instructions for Saws with a Pendulum Blade Guard

- a) **Check the lower guard for proper closing before each use. Do not operate the saw if lower guard does not move freely and close instantly. Never clamp or tie the lower guard into the open position. If the saw is accidentally dropped, lower guard may be bent.** Raise the lower guard with the retracting handle and make sure it moves freely and does not touch the blade or any other part, in all angles and depths of cut.

## Further Safety Instructions for All Saws

### Kickback Causes and Related Warnings

- Kickback is a sudden reaction to a pinched, bound or misaligned saw blade, causing an uncontrolled saw to lift up and out of the workpiece toward the operator;
- When the blade is pinched or bound tightly by the kerf closing down, the blade stalls and the motor reaction drives the unit rapidly back toward the operator;

- b) **Check the operation of the lower guard spring. If the guard and the spring are not operating properly, they must be serviced before use.** Lower guard may operate sluggishly due to damaged parts, gummy deposits, or a build-up of debris.
- c) **The lower guard may be retracted manually only for special cuts such as “plunge cuts” and “compound cuts”. Raise the lower guard by the retracting handle and as soon as the blade enters the material, the lower guard must be released.** For all other sawing, the lower guard should operate automatically.
- d) **Always observe that the lower guard is covering the blade before placing saw down on bench or floor. An unprotected, coasting blade will cause the saw to walk backwards, cutting whatever is in its path. Be aware of the time it takes for the blade to stop after switch is released.**

## Additional Safety Instructions for Circular Saws

- **Wear ear protectors.** Exposure to noise can cause hearing loss.
- **Wear a dust mask.** Exposure to dust particles can cause breathing difficulty and possible injury.
- **Do not use blades of larger or smaller diameter than recommended.** For the proper blade rating refer to the **technical data**. Use only the blades specified in this manual, complying with EN847-1.
- **Use only saw blades that are marked with a speed equal or higher than the speed marked on the tool.**
- **Avoid overheating of blade tips.**
- **Install the dust extraction port onto the saw before use.**
- **Never use abrasive cut-off wheels.**
- **Do not use water feed attachments.**
- **Use clamps or another practical way to secure and support the workpiece to a stable platform.** Holding the work by hand or against your body leaves it unstable and may lead to loss of control.

## Residual Risks

In spite of the application of the relevant safety regulations and the implementation of safety devices, certain residual risks cannot be avoided. These are:

- Impairment of hearing.
- Risk of personal injury due to flying particles.
- Risk of burns due to accessories becoming hot during operation.
- Risk of personal injury due to prolonged use.

### SAVE THESE INSTRUCTIONS

## Chargers

DEWALT chargers require no adjustment and are designed to be as easy as possible to operate.

## Electrical Safety

The electric motor has been designed for one voltage only. Always check that the battery pack voltage corresponds to the voltage on the rating plate. Also make sure that the voltage of your charger corresponds to that of your mains.



Your DEWALT charger is double insulated in accordance with IEC60335; therefore no earth wire is required.

If the supply cord is damaged, it must be replaced only by DEWALT or an authorised service organisation.

## Using an Extension Cable

An extension cord should not be used unless absolutely necessary. Use an approved extension cable suitable for the power input of your charger (see **Technical Data**). The minimum conductor size is 1 mm<sup>2</sup>; the maximum length is 30 m.

When using a cable reel, always unwind the cable completely.

## Important Safety Instructions for All Battery Chargers

**SAVE THESE INSTRUCTIONS:** This manual contains important safety and operating instructions for compatible battery chargers (refer to **Technical Data**).

- Before using charger, read all instructions and cautionary markings on charger, battery pack, and product using battery pack.



**WARNING:** Shock hazard. Do not allow any liquid to get inside charger. Electric shock may result.



**WARNING:** We recommend the use of a residual current device with a residual current rating of 30mA or less.



**CAUTION:** Burn hazard. To reduce the risk of injury, charge only DEWALT rechargeable batteries. Other types of batteries may burst causing personal injury and damage.



**CAUTION:** Children should be supervised to ensure that they do not play with the appliance.

**NOTICE:** Under certain conditions, with the charger plugged into the power supply, the exposed charging contacts inside the charger can be shorted by foreign material. Foreign materials of a conductive nature such as, but not limited to, steel wool, aluminum foil or any buildup of metallic particles should be kept away from charger cavities. Always unplug the charger from the power supply when there is no battery pack in the cavity. Unplug charger before attempting to clean

- **DO NOT attempt to charge the battery pack with any chargers other than the ones in this manual.** The charger and battery pack are specifically designed to work together.
- **These chargers are not intended for any uses other than charging DEWALT rechargeable batteries.** Any other uses may result in risk of fire, electric shock or electrocution.
- **Do not expose charger to rain or snow.**
- **Pull by plug rather than cord when disconnecting charger.** This will reduce risk of damage to electric plug and cord.



- **Make sure that cord is located so that it will not be stepped on, tripped over, or otherwise subjected to damage or stress.**
- **Do not use an extension cord unless it is absolutely necessary.** Use of improper extension cord could result in risk of fire, electric shock, or electrocution.
- **Do not place any object on top of charger or place the charger on a soft surface that might block the ventilation slots and result in excessive internal heat.** Place the charger in a position away from any heat source. The charger is ventilated through slots in the top and the bottom of the housing.
- **Do not operate charger with damaged cord or plug—** have them replaced immediately.
- **Do not operate charger if it has received a sharp blow, been dropped, or otherwise damaged in any way.** Take it to an authorised service centre.
- **Do not disassemble charger; take it to an authorised service centre when service or repair is required.** Incorrect reassembly may result in a risk of electric shock, electrocution or fire.
- *In case of damaged power supply cord the supply cord must be replaced immediately by the manufacturer, its service agent or similar qualified person to prevent any hazard.*
- **Disconnect the charger from the outlet before attempting any cleaning. This will reduce the risk of electric shock.** Removing the battery pack will not reduce this risk.
- **NEVER** attempt to connect two chargers together.
- **The charger is designed to operate on standard 220-240V household electrical power. Do not attempt to use it on any other voltage.** This does not apply to the vehicular charger.

## Charging a Battery (Fig. A)

1. Plug the charger into an appropriate outlet before inserting battery pack.
2. Insert the battery pack **16** into the charger, making sure the battery pack is fully seated in the charger. The red (charging) light will blink repeatedly indicating that the charging process has started.
3. The completion of charge will be indicated by the red light remaining ON continuously. The battery pack is fully charged and may be used at this time or left in the charger. To remove the battery pack from the charger, push the battery release button **17** on the battery pack.

**NOTE:** To ensure maximum performance and life of lithium-ion battery packs, charge the battery pack fully before first use.

## Charger Operation

Refer to the indicators below for the charge status of the battery pack.

### Charge Indicators



\*The red light will continue to blink, but a yellow indicator light will be illuminated during this operation. Once the battery pack has reached an appropriate temperature, the yellow light will turn off and the charger will resume the charging procedure.

The compatible charger(s) will not charge a faulty battery pack. The charger will indicate faulty battery by refusing to light.

**NOTE:** This could also mean a problem with a charger.

If the charger indicates a problem, take the charger and battery pack to be tested at an authorised service centre.

## Hot/Cold Pack Delay

When the charger detects a battery pack that is too hot or too cold, it automatically starts a Hot/Cold Pack Delay, suspending charging until the battery pack has reached an appropriate temperature. The charger then automatically switches to the pack charging mode. This feature ensures maximum battery pack life.

A cold battery pack will charge at a slower rate than a warm battery pack. The battery pack will charge at that slower rate throughout the entire charging cycle and will not return to maximum charge rate even if the battery pack warms.

The DCB118 charger is equipped with an internal fan designed to cool the battery pack. The fan will turn on automatically when the battery pack needs to be cooled. Never operate the charger if the fan does not operate properly or if ventilation slots are blocked. Do not permit foreign objects to enter the interior of the charger.

## Electronic Protection System

XR Li-Ion tools are designed with an Electronic Protection System that will protect the battery pack against overloading, overheating or deep discharge.

The tool will automatically turn off if the Electronic Protection System engages. If this occurs, place the lithium-ion battery pack on the charger until it is fully charged.

## Wall Mounting

These chargers are designed to be wall mountable or to sit upright on a table or work surface. If wall mounting, locate the charger within reach of an electrical outlet, and away from a corner or other obstructions which may impede air flow. Use the back of the charger as a template for the location of the mounting screws on the wall. Mount the charger securely using drywall screws (purchased separately) at least 25.4 mm long with a screw head diameter of 7–9 mm, screwed into wood to an optimal depth leaving approximately 5.5 mm of the screw exposed. Align the slots on the back of the charger with the exposed screws and fully engage them in the slots.



## Charger Cleaning Instructions



**WARNING: Shock hazard. Disconnect the charger from the AC outlet before cleaning.** Dirt and grease may be removed from the exterior of the charger using a cloth or soft non-metallic brush. Do not use water or any cleaning solutions. Never let any liquid get inside the tool; never immerse any part of the tool into a liquid.

## Battery Packs

### Important Safety Instructions for All Battery Packs

When ordering replacement battery packs, be sure to include catalogue number and voltage.

The battery pack is not fully charged out of the carton. Before using the battery pack and charger, read the safety instructions below. Then follow charging procedures outlined.

#### READ ALL INSTRUCTIONS

- **Do not charge or use battery in explosive atmospheres, such as in the presence of flammable liquids, gases or dust.** Inserting or removing the battery from the charger may ignite the dust or fumes.
- **Never force battery pack into charger. Do not modify battery pack in any way to fit into a non-compatible charger as battery pack may rupture causing serious personal injury.**
- Charge the battery packs only in DEWALT chargers.
- **DO NOT splash or immerse in water or other liquids.**
- **Do not store or use the tool and battery pack in locations where the temperature may fall below 4 °C (34 °F) (such as outside sheds or metal buildings in winter), or reach or exceed 40 °C (104 °F) (such as outside sheds or metal buildings in summer).**
- **Do not incinerate the battery pack even if it is severely damaged or is completely worn out.** The battery pack can explode in a fire. Toxic fumes and materials are created when lithium-ion battery packs are burned.
- **If battery contents come into contact with the skin, immediately wash area with mild soap and water.** If battery liquid gets into the eye, rinse water over the open eye for 15 minutes or until irritation ceases. If medical attention is needed, the battery electrolyte is composed of a mixture of liquid organic carbonates and lithium salts.
- **Contents of opened battery cells may cause respiratory irritation.** Provide fresh air. If symptoms persists, seek medical attention.



**WARNING: Burn hazard.** Battery liquid may be flammable if exposed to spark or flame.



**WARNING:** Never attempt to open the battery pack for any reason. If battery pack case is cracked or damaged, do not insert into charger. Do not crush, drop or damage battery pack. Do not use a battery pack or charger that has received a sharp blow, been dropped, run over or damaged in any way (i.e., pierced with a nail, hit with a hammer, stepped on). Electric shock or electrocution

may result. Damaged battery packs should be returned to service centre for recycling.



**WARNING: Fire hazard. Do not store or carry the battery pack so that metal objects can contact exposed battery terminals.** For example, do not place the battery pack in aprons, pockets, tool boxes, product kit boxes, drawers, etc., with loose nails, screws, keys, etc.



**CAUTION: When not in use, place tool on its side on a stable surface where it will not cause a tripping or falling hazard.** Some tools with large battery packs will stand upright on the battery pack but may be easily knocked over.

## Transportation



**WARNING: Fire hazard.** Transporting batteries can possibly cause fire if the battery terminals inadvertently come in contact with conductive materials. When transporting batteries, make sure that the battery terminals are protected and well insulated from materials that could contact them and cause a short circuit.

**NOTE:** Lithium-ion batteries should not be put in checked baggage.

DEWALT batteries comply with all applicable shipping regulations as prescribed by industry and legal standards which include UN Recommendations on the Transport of Dangerous Goods; International Air Transport Association (IATA) Dangerous Goods Regulations, International Maritime Dangerous Goods (IMDG) Regulations, and the European Agreement Concerning The International Carriage of Dangerous Goods by Road (ADR). Lithium-ion cells and batteries have been tested to section 38.3 of the UN Recommendations on the Transport of Dangerous Goods Manual of Tests and Criteria.

In most instances, shipping a DEWALT battery pack will be excepted from being classified as a fully regulated Class 9 Hazardous Material. In general, only shipments containing a lithium-ion battery with an energy rating greater than 100 Watt Hours (Wh) will require being shipped as fully regulated Class 9. All lithium-ion batteries have the Watt Hour rating marked on the pack. Furthermore, due to regulation complexities, DEWALT does not recommend air shipping lithium-ion battery packs alone regardless of Watt Hour rating. Shipments of tools with batteries (combo kits) can be air shipped as excepted if the Watt Hour rating of the battery pack is no greater than 100 Whr. Regardless of whether a shipment is considered excepted or fully regulated, it is the shipper's responsibility to consult the latest regulations for packaging, labeling/marketing and documentation requirements.

The information provided in this section of the manual is provided in good faith and believed to be accurate at the time the document was created. However, no warranty, expressed or implied, is given. It is the buyer's responsibility to ensure that its activities comply with the applicable regulations.

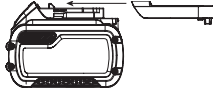
### Transporting the FLEXVOLT™ Battery

The DEWALT FLEXVOLT™ battery has two modes: **Use** and **Transport**.

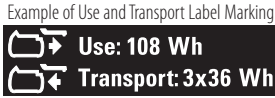
**Use Mode:** When the FLEXVOLT™ battery stands alone or is in a DEWALT 18(20 Max)V product, it will operate as an 18(20 Max) V battery. When the FLEXVOLT™ battery is in a 54(60 Max)V or a 108(120 Max)V (two 54(60 Max)V batteries) product, it will operate as a 54(60V Max) battery.

**Transport Mode:** When the cap is attached to the FLEXVOLT™ battery, the battery is in Transport mode. Keep the cap for shipping.

When in Transport mode, strings of cells are electrically disconnected within the pack resulting in 3 batteries with a lower Watt hour (Wh) rating as compared to 1 battery with a higher Watt hour rating. This increased quantity of 3 batteries with the lower Watt hour rating can exempt the pack from certain shipping regulations that are imposed upon the higher Watt hour batteries.



For example, the Transport Wh rating might indicate 3 x 36 Wh, meaning 3 batteries of 36 Wh each. The Use Wh rating might indicate 108 Wh (1 battery implied).



### Storage Recommendations

1. The best storage place is one that is cool and dry away from direct sunlight and excess heat or cold. For optimum battery performance and life, store battery packs at room temperature when not in use.
2. For long storage, it is recommended to store a fully charged battery pack in a cool, dry place out of the charger for optimal results.

**NOTE:** Battery packs should not be stored completely depleted of charge. The battery pack will need to be recharged before use.

### Labels on Charger and Battery Pack

In addition to the pictographs used in this manual, the labels on the charger and the battery pack may show the following pictographs:



Read instruction manual before use.



See **Technical Data** for charging time.



Do not probe with conductive objects.



Do not charge damaged battery packs.



Do not expose to water.



Have defective cords replaced immediately.



Charge only between 4 °C and 40 °C.



Only for indoor use.



LI-ION

Discard the battery pack with due care for the environment.



DCBXXX

Charge DEWALT battery packs only with designated DEWALT chargers. Charging battery packs other than the designated DEWALT batteries with a DEWALT charger may make them burst or lead to other dangerous situations.



Do not incinerate the battery pack.



USE (without transport cap). Example: Wh rating indicates 108 Wh (1 battery with 108 Wh).



TRANSPORT (with built-in transport cap). Example: Wh rating indicates 3 x 36 Wh (3 batteries of 36 Wh).

### Battery Type

The DCS578 and DCS579 operate on a 54 (60 Max)volt battery pack.

These battery packs may be used: DCB546, DCB547, DCB548, DCB606, DCB609, DCB612. Refer to **Technical Data** for more information.

### Package Contents

The package contains:

- 1 Circular saw
- 1 Circular saw blade
- 1 Blade wrench
- 1 Parallel fence
- 1 Dust extraction port
- 1 Charger (T or X models)
- 1 Li-Ion battery pack (C1, D1, L1, M1, P1, S1, T1, X1, Y1 models)
- 2 Li-Ion battery packs (C2, D2, L2, M2, P2, S2, T2, X2, Y2 models)
- 3 Li-Ion battery packs (C3, D3, L3, M3, P3, S3, T3, X3, Y3 models)
- 1 Instruction manual

**NOTE:** Battery packs, chargers and kitboxes are not included with N models. Battery packs and chargers are not included with NT models. B models include Bluetooth® battery packs.

**NOTE:** The Bluetooth® word mark and logos are registered trademarks owned by the Bluetooth®, SIG, Inc. and any use of such marks by DEWALT is under license. Other trademarks and trade names are those of their respective owners.

- Check for damage to the tool, parts or accessories which may have occurred during transport.

- Take the time to thoroughly read and understand this manual prior to operation.

## Markings on Tool

The following pictograms are shown on the tool:



Read instruction manual before use.



Wear ear protection.



Wear eye protection.



Visible radiation. Do not stare into light.

## Date Code Position (Fig. H)

The date code **18**, which also includes the year of manufacture, is printed into the housing.

Example:

2020 XX XX

Year of Manufacture

## Description (Fig. A, H)



**WARNING:** Never modify the power tool or any part of it. Damage or personal injury could result.

- 1 Trigger switch
- 2 Trigger switch lock-off button
- 3 Main handle
- 4 Rafter hook (Included with some models)
- 5 Blade lock
- 6 End cap
- 7 Auxiliary handle
- 8 Bevel adjustment lever
- 9 Bevel angle adjustment mechanism
- 10 LED worklight
- 11 Base plate
- 12 Lower blade guard
- 13 Blade clamping screw
- 14 Lower guard lever
- 15 Upper blade guard
- 16 Battery pack
- 17 Battery release button
- 18 Date code (Fig. H)
- 19 Rail adjuster (0° cutting)
- 20 Rail adjuster (1–45° bevel cutting)
- 21 Fuel gauge button (on battery pack)

## Intended Use

These heavy-duty circular saws are designed for professional wood cutting applications. Do not cut metal, plastic, concrete, masonry or fiber cement materials. **DO NOT** use water feed attachments with this saw. **DO NOT** use abrasive wheels or blades. **DO NOT** use under wet conditions or in the presence of flammable liquids or gases.

These heavy-duty saws are professional power tools.

**DO NOT** let children come into contact with the tool. Supervision is required when inexperienced operators use this tool.

- **Young children and the infirm.** This appliance is not intended for use by young children or infirm persons without supervision.
- This product is not intended for use by persons (including children) suffering from diminished physical, sensory or mental abilities; lack of experience, knowledge or skills unless they are supervised by a person responsible for their safety. Children should never be left alone with this product.

## ASSEMBLY AND ADJUSTMENTS



**WARNING:** To reduce the risk of serious personal injury, turn tool off and disconnect battery pack before making any adjustments or removing/installing attachments or accessories. An accidental start-up can cause injury.



**WARNING:** Use only DEWALT battery packs and chargers.

## Inserting and Removing the Battery Pack from the Tool (Fig. A)

**NOTE:** Make sure your battery pack **16** is fully charged.

### To install the battery pack into the tool handle

1. Align the battery pack **16** with the rails inside the tool's handle (Fig. A).
2. Slide it into the handle until the battery pack is firmly seated in the tool and ensure that you hear the lock snap into place.

### To remove the battery pack from the tool

1. Press the release button **17** and firmly pull the battery pack out of the tool handle.
2. Insert battery pack into the charger as described in the charger section of this manual.

## Fuel Gauge Battery Packs (Fig. A)

Some DEWALT battery packs include a fuel gauge which consists of three green LED lights that indicate the level of charge remaining in the battery pack.

To actuate the fuel gauge, press and hold the fuel gauge button **21**. A combination of the three green LED lights will illuminate designating the level of charge left. When the level of charge in the battery is below the usable limit, the fuel gauge will not illuminate and the battery will need to be recharged.

**NOTE:** The fuel gauge is only an indication of the charge left on the battery pack. It does not indicate tool functionality and is subject to variation based on product components, temperature and end-user application.

## Changing Blades

### To Install the Blade (Fig. B–E)

1. Remove the battery.

- Using the lower guard lever **14**, retract the lower blade guard **12** and place blade on saw spindle against the inner clamp washer **22**, making sure that the blade will rotate in the proper direction (the direction of the rotation arrow on the saw blade and the teeth must point in the same direction as the direction of rotation arrow on the saw). Do not assume that the printing on the blade will always be facing you when properly installed. When retracting the lower blade guard to install the blade, check the condition and operation of the lower blade guard to assure that it is working properly. Make sure it moves freely and does not touch the blade or any other part, in all angles and depths of cut.
- Place outer clamp washer **23** on saw spindle with the beveled edge facing out. Make sure the 30 mm diameter on the blade side of the clamp fits into the 30 mm hole in the saw blade to ensure centring of the blade.
- Thread the blade clamping screw **13** onto the saw spindle by hand (screw has right-hand threads and must be turned clockwise to tighten).
- Depress the blade lock **5** while turning the saw spindle with the blade wrench **24** stored underneath the battery compartment, until the blade lock engages and the blade stops rotating.
- Tighten the blade clamping screw firmly with the blade wrench.

**NOTICE:** Never engage the blade lock while saw is running, or engage in an effort to stop the tool. Never turn the saw on while the blade lock is engaged. Serious damage to your saw will result.

### To Replace the Blade (Fig. B–E)

- Remove the battery.
- To loosen the blade clamping screw **13**, depress the blade lock **5** and turn the saw spindle with the blade wrench **24**, stored underneath the battery compartment, until the blade lock engages and the blade stops rotating. With the blade lock engaged, turn the blade clamping screw counterclockwise with the blade wrench (screw has right-hand threads and must be turned counterclockwise to loosen).
- Remove the blade clamping screw **13** and outer clamp washer **23**. Remove old blade.
- Clean any sawdust that may have accumulated in the guard or clamp washer area and check the condition and operation of the lower blade guard as previously outlined. Do not lubricate this area.
- Select the proper blade for the application (refer to **Blades**). Always use blades that are the correct size (diameter) with the proper size and shape centre hole for mounting on the saw spindle. Always assure that the maximum recommended speed (rpm) on the saw blade meets or exceeds the speed (rpm) of the saw.
- Follow steps 1 through 5 under **To Install the Blade**, making sure that the blade will rotate in the proper direction.

### Lower Blade Guard



**WARNING:** The lower blade guard is a safety feature that reduces the risk of serious personal injury. Never use the saw if the lower guard is missing, damaged, misassembled or not working properly. Do not rely on the lower blade guard to protect you under all circumstances. Your safety depends on following all warnings and precautions as well as proper operation of the saw. Check the lower blade guard for proper closing before each use. If the lower blade guard is missing or not working properly, have the saw serviced before using. To assure product safety and reliability, repair, maintenance and adjustment should be performed by an authorised service centre or other qualified service organization, always using identical replacement parts.

### Checking the Lower Guard (Fig. A)

- Turn tool off and disconnect from power supply.
- Rotate the lower guard lever **14** from the fully closed position to the fully open position.
- Release the lever and observe the guard **12** return to the fully closed position.

The tool should be serviced by a qualified service centre if it:

- fails to return to the fully closed position,
- moves intermittently or slowly, or
- contacts the blade or any part of the tool in all angles and depth of cut.

### Blades



**WARNING:** To minimise the risk of eye injury, always use eye protection. Carbide is a hard but brittle material. Foreign objects in the workpiece such as wire or nails can cause tips to crack or break. Only operate saw when proper saw blade guard is in place. Mount blade securely in proper rotation before using, and always use a clean, sharp blade.



**WARNING:** Do not cut metal, plastic, concrete, masonry or fiber cement materials with this saw.

#### 190 mm Diameter

Application	Teeth
Fast rip	18
Rip	24
General Purpose	40

#### 184 mm Diameter

Application	Teeth
Rip	24
General Purpose	36
Finish	60

If you need assistance regarding blades, please contact your local DEWALT dealer.

## Kickback

Kickback is a sudden reaction to a pinched, bound or misaligned saw blade, causing an uncontrolled saw to lift up and out of the workpiece toward the operator. When the blade is pinched or bound tightly by the kerf closing down, the blade stalls and the motor reaction drives the unit rapidly back toward the operator. If the blade becomes twisted or misaligned in the cut, the teeth at the back edge of the blade can dig into the top surface of the material causing the blade to climb out of the kerf and jump back toward the operator.

Kickback is more likely to occur when any of the following conditions exists.

### 1. IMPROPER WORKPIECE SUPPORT (FIG. X)

- a. Sagging or improper lifting of the cut off piece can cause pinching of the blade and lead to kickback (Fig. X).
- b. Cutting through material supported at the outer ends only can cause kickback. As the material weakens it sags, closing down the kerf and pinching the blade (Fig. X).
- c. Cutting off a cantilevered or overhanging piece of material from the bottom up in a vertical direction can cause kickback. The falling cut off piece can pinch the blade.
- d. Cutting off long narrow strips can cause kickback. The cut off strip can sag or twist closing the kerf and pinching the blade.
- e. Snagging the lower guard on a surface below the material being cut momentarily reduces operator control. The saw can lift partially out of the cut increasing the chance of blade twist.

### 2. IMPROPER DEPTH OF CUT SETTING ON SAW (FIG. H)

To make the most efficient cut, the blade should protrude only far enough to expose a tooth as shown in Figure H. This allows the shoe to support the blade and minimises twisting and pinching in the material. See the section titled *Depth of Cut Adjustment*.

### 3. BLADE TWISTING (MISALIGNMENT IN CUT)

- a. Pushing harder to cut can cause the blade to twist.
- b. Trying to turn the saw in the cut (trying to get back on the marked line) can cause blade twist.
- c. Overreaching or operating the saw with poor body control (out of balance), can result in twisting the blade.
- d. Changing hand grip or body position while cutting can result in blade twist.
- e. Backing up the saw to clear blade can lead to twist.

### 4. USE OF DULL OR DIRTY BLADES

Dull blades cause increased loading of the saw. To compensate, an operator will usually push harder which further loads the unit and promotes twisting of the blade in the kerf. Worn blades may also have insufficient body clearance which increases the chance of binding and increased loading.

### 5. RESTARTING A CUT WITH THE BLADE TEETH JAMMED AGAINST THE MATERIAL

The saw should be brought up to full operating speed before starting a cut or restarting a cut after the unit has

been stopped with the blade in the kerf. Failure to do so can cause stalling and kickback.

Any other conditions which could result in pinching, binding, twisting, or misalignment of the blade could cause kickback. Refer to the sections *Further Safety Instructions for All Saws* and *Blades* for procedures and techniques that will minimise the occurrence of kickback.

## Depth of Cut Adjustment (Fig. F–H)

1. Raise the depth adjustment lever **25** to loosen.
2. To obtain the correct depth of cut, align the appropriate mark on the depth adjustment strap **26** with notch **27** on the upper blade guard.
3. Tighten the depth adjustment lever.
4. For the most efficient cutting action using a carbide tipped saw blade, set the depth adjustment so that about one half of a tooth projects below the surface of the wood to be cut.
5. A method of checking for the correct cutting depth is shown in Fig. H. Lay a piece of the material you plan to cut along the side of the blade, as shown in the Figure, and observe how much tooth projects beyond the material.

## Adjusting Depth Adjustment Lever (Fig. G)

It may be desirable to adjust the depth adjustment lever **25**. It may loosen in time and hit the base plate before tightening.

### To Tighten the Lever

1. Hold depth adjustment lever **25** and loosen the locknut **28**.
2. Adjust the depth adjustment lever by rotating it in the desired direction about 1/8 of a revolution.
3. Retighten nut.

## Bevel Angle Adjustment (Fig. A, I)

The bevel angle adjustment mechanism **9** can be adjusted between 0° and 57°.

To achieve better accuracy in cutting, use the fine adjustment markings located on the pivot bracket **29**.

1. Raise the bevel adjustment lever **8** to loosen.
2. Tilt the base plate to the desired angle by aligning the fine bevel pointer **30** with the desired angle mark on the pivot bracket **29**.
3. Lower the bevel adjustment lever to retighten.

## Bevel Detent (Fig. I)

The DCS578 and DCS579 are equipped with a bevel detent feature. As you tilt the base plate you will hear a click and feel the base plate stop at both 22.5 and 45 degrees. If either of these is the desired angle, retighten the lever **8** by lowering it. If you desire another angle, continue tilting the base plate until the coarse bevel pointer **31** or the fine pointer **30** aligns with the desired mark.

## Cut Length Indicator (Fig. J)

The markings on the side of the base plate **11** show the length of the slot being cut into the material at the full depth of the cut. The markings are in increments of 5 mm.

## Mounting and Adjusting the Parallel Fence (Fig. K)

The parallel fence **33** is used for cutting parallel to the edge of the workpiece.

### Mounting

1. Slacken the parallel fence adjustment knob **32** to allow the parallel fence to pass.
2. Insert the parallel fence **33** in the base plate **11** as shown.
3. Tighten the parallel fence adjustment knob **32**.

### Adjusting

1. Slacken the fence adjustment knob **32** and set the parallel fence **33** to the desired width. The adjustment can be read on the parallel fence scale.
2. Tighten the fence adjustment knob **32**.

## Mounting the Dust Extraction Port (Fig. A, F, L)

Your DCS578/DCS579 circular saws are supplied with a dust extraction port.

### To Install Dust Extraction Port

1. Fully loosen depth adjustment lever **25**.
2. Place base plate **11** in the lowest position.
3. Align the left half of the dust extraction port **34** over upper blade guard **15** as shown. Be sure to insert the tab into the casting notch on the tool. When installed correctly, it will snap fully over the original depth of cut pointer.
4. Align the right-hand piece with the left.
5. Insert screws and tighten securely.

## Guide Rail System (Fig. M)

### DCS579

Guide rails, available in different lengths as accessories, allow the use of the circular saw for precise, straight clean cuts and simultaneously protect the workpiece surface against damage. In conjunction with additional accessories, exact angled cuts, mitre cuts and fitting work can be completed with the guide rail system.

Clamps **37** are available to secure the guide rail **35** to the workpiece **36** (Fig. M). Use of these clamps **37** ensure that the guide rail **35** is securely attached to the workpiece **36** for safe working. Once the guide rail is set to the cut line and securely fixed to the workpiece, there is no movement during cutting.

**IMPORTANT:** The height scale on the unit is set for using the saw without a guide rail. When using the saw on the guide rail the difference in height will be approximately 5.0 mm.

## Setting the Circular Saw To the Guide Rail (Fig. A, N)

The clearance between the circular saw and the guide rail (Fig. N, **35**) must be very small to achieve best cutting results. The smaller this clearance the better the straight line finish will be on the workpiece.

The clearance can be set with the two rail adjusters **19**, **20** (Fig. A) for each channel in the base for 0° cutting **19** and for 1–45° bevel cutting **20**. The rail adjusters are precision cams that allow for the reduction of clearance between the unit and guide rail. Once these adjusters have been set, sideways movement of the saw during cutting is kept to a minimum while allowing a smooth cutting action.

**NOTE:** The adjusters are set to minimum clearance in the factory and may need adjusting and setting before the unit is used. Use the following instructions for setting the circular saw to the guide rail.

**REMEMBER:** Set the rail adjusters on the saw to the guide rail.

1. Undo the screw inside the rail adjuster to allow for adjustment between the saw and the guide rail.
2. Retract the lower guard and place the unit on the guide rail, ensuring the blade is in the highest position.
3. Rotate the adjuster until saw locks on guide rail.  
**IMPORTANT:** Make sure the saw is securely attached to the rail by trying to push the saw forward. Ensure there is no movement of the saw.
4. Rotate the adjuster back slightly until saw slides easily along the rail.
5. Hold the rail adjuster in position and tighten the screw again.

**NOTE: ALWAYS** adjust the system for use with other rails.

The rail adjusters are now set up to minimise sideways deviation when cutting with the saw on the guide rail.

Before using the saw, the anti-splinter guard **38** on the guide rail will need tuning in. Refer to **Tuning the Anti-Splinter Guard**.

### Tuning the Anti-Splinter Guard (Fig. N)

The guide rail **35** is equipped with an anti-splinter guard **38** that has to be tuned to the saw before the first use.

The anti-splinter guard **38** is situated on each edge of the guide rail (Fig. N). The purpose of this anti-splinter guard is to provide the user with a visible blade cut line while reducing the chipping that occurs along the workpiece cut edge during cutting.

**IMPORTANT: ALWAYS** read and follow the **Setting the Circular Saw to the Guide Rail** before cutting the splinter guard!

### Steps to Tune the Anti-Splinter Guard (Fig. O–R)

1. Place the guide rail **35** on a scrap piece of wood **39** with a minimum length of 100 mm overhanging the workpiece (Fig. O). Use a clamp to ensure that the guide rail is securely attached to the workpiece. This will ensure accuracy.
2. Set the unit to a 20 mm depth of cut.



- Place the front of the saw on the overhang end of the guide rail, making sure that the blade is positioned in front of the rail edge (Fig. P).
- Turn the saw on and slowly cut the splinter guard along the full length of the rail in one continuous operation. The edge of the splinter guard now corresponds exactly to the cutting edge of the blade (Fig. Q).

To tune in the anti-splinter guard on the other side of the guide rail, remove the saw from the rail and rotate the rail 180°. Repeat steps 1 through 4.

**NOTE:** If desired, the splinter guard can be bevelled to 45°, then repeat steps 1 through 4. This allows one side of the rail for cutting parallel cuts and the other side of the rail is tuned in for 45° bevel cuts (Fig. R).

**NOTE:** If the anti-splinter guard is tuned in for parallel cutting on both sides, then when the unit is bevelled, the blade will not run true to the edge of the anti-splinter guard. This is because the pivot point of the unit bevel is not stationary and the blade moves out over when the unit is bevelled.

## Kerf Indicator (Fig. S–U)

The front of the saw shoe has a kerf indicator **41** for vertical and bevel cutting. This indicator enables you to guide the saw along cutting lines penciled on the material being cut. The kerf indicator lines up with the left (outer) side of the saw blade, which makes the slot or “kerf” cut by the moving blade fall to the right of the indicator. Guide along the penciled cutting line so that the kerf falls into the waste or surplus material. Fig. T shows the saw in the parallel cutting position relative to the guide rail. Fig. U shows the saw in the bevel cutting position relative to the guide rail.

## Prior to Operation

- Make sure the guards have been mounted correctly. The saw blade guard must be in closed position.
- Make sure the saw blade rotates in the direction of the arrow on the blade.
- Do not use excessively worn saw blades.

## OPERATION

### Instructions for Use



**WARNING:** Always observe the safety instructions and applicable regulations.



**WARNING:** To reduce the risk of serious personal injury, turn tool off and disconnect battery pack before making any adjustments or removing/installing attachments or accessories. An accidental start-up can cause injury.

### Proper Hand Position (Fig. V)



**WARNING:** To reduce the risk of serious personal injury, ALWAYS use proper hand position as shown.



**WARNING:** To reduce the risk of serious personal injury, ALWAYS hold securely in anticipation of a sudden reaction.

Proper hand position requires one hand on the main handle **3**, with the other hand on the auxiliary handle **7**.

### LED Worklight (Fig. A)

The LED worklight **10** is activated when the trigger switch is depressed. When the trigger is released, the worklight will stay illuminated for up to 20 seconds.

**NOTE:** The worklight is for lighting the immediate work surface and is not intended to be used as a flashlight.

### Switching On and Off (Fig. A)

For safety reasons the trigger switch **1** of your tool is equipped with a lock-off button **2**.

Press the lock-off button to unlock the tool.

To run the tool, press the trigger switch **1**. As soon as the trigger switch is released, the lock-off switch is automatically activated to prevent unintended starting of the machine.

**NOTICE:** Do not switch the tool ON or OFF when the saw blade touches the workpiece or other materials.

### Workpiece Support (Fig. W–Z)



**WARNING:** To reduce the risk of serious personal injury, support the work properly and hold the saw firmly to prevent loss of control.

Fig. W and Y show proper sawing position. Fig. X and Z show an unsafe condition. Hands should be kept away from cutting.

To avoid kickback, ALWAYS support board or panel NEAR the cut, (Fig. W and Y). DON'T support board or panel away from the cut (Fig. X, Z).

ALWAYS DISCONNECT BATTERY PACK BEFORE MAKING ANY ADJUSTMENTS! Place the work with its “good” side—the one on which appearance is most important—down. The saw cuts upward, so any splintering will be on the work face that is up when you saw it.

### Cutting (Fig. Y)



**WARNING:** Never attempt to use this tool by resting it upside down on a work surface and bringing the material to the tool. Always securely clamp the workpiece and bring the tool to the workpiece, securely holding the tool with two hands as shown in Fig. Y.

Place the wider portion of the saw base plate on that part of the work piece which is solidly supported, not on the section that will fall off when the cut is made. As examples, Fig. Y illustrates the RIGHT way to cut off the end of a board. Always clamp work. Don't try to hold short pieces by hand! Remember to support cantilevered and overhanging material. Use caution when sawing material from below.

Be sure saw is up to full speed before blade contacts material to be cut. Starting saw with blade against material to be cut or pushed forward into kerf can result in kickback. Push the saw forward at a speed which allows the blade to cut without laboring. Hardness and toughness can vary even in the same piece of material, and knotty or damp sections can put a heavy load on the saw. When this happens, push the saw more slowly, but hard enough to keep working without much decrease in speed. Forcing the saw can cause rough cuts, inaccuracy,

kickback, and over-heating of the motor. Should your cut begin to go off the line, don't try to force it back on. Release the switch and allow blade to come to a complete stop. Then you can withdraw the saw, sight anew, and start a new cut slightly inside the wrong one. In any event, withdraw the saw if you must shift the cut. Forcing a correction inside the cut can stall the saw and lead to kickback.

IF SAW STALLS, RELEASE THE TRIGGER AND BACK THE SAW UNTIL IT IS LOOSE. BE SURE BLADE IS STRAIGHT IN THE CUT AND CLEAR OF THE CUTTING EDGE BEFORE RESTARTING.

As you finish a cut, release the trigger and allow the blade to stop before lifting the saw from the work. As you lift the saw, the spring-tensioned telescoping guard will automatically close under the blade. Remember the blade is exposed until this occurs. Never reach under the work for any reason. When you have to retract the telescoping guard manually (as is necessary for starting pocket cuts) always use the retracting lever.

**NOTE:** When cutting thin strips, be careful to ensure that small cutoff pieces don't hang up on inside of lower guard.

### Pocket Cutting (Fig. AA)



**WARNING:** Never tie the blade guard in a raised position. Never move the saw backwards when pocket cutting. This may cause the unit to raise up off the work surface which could cause injury.

A pocket cut is one that is made in a floor, wall or other flat surface.

1. Adjust the saw base plate so the blade cuts at desired depth.
2. Tilt the saw forward and rest front of the base plate on material to be cut.
3. Using the lower guard lever, retract lower blade guard to an upward position. Lower rear of base plate until blade teeth almost touch cutting line.
4. Release the blade guard (its contact with the work will keep it in position to open freely as you start the cut). Remove hand from guard lever and firmly grip auxiliary handle 7, as shown in Fig. AA. Position your body and arm to allow you to resist kickback if it occurs.
5. Make sure blade is not in contact with cutting surface before starting saw.
6. Start the motor and gradually lower the saw until its base plate rests flat on the material to be cut. Advance saw along the cutting line until cut is completed.
7. Release trigger and allow blade to stop completely before withdrawing the blade from the material.
8. When starting each new cut, repeat as above.

### Dust Extraction (Fig. DD)



**WARNING:** Risk of dust inhalation. To reduce the risk of personal injury, **ALWAYS** wear an approved dust mask.

A dust extraction port 34 is supplied with your tool.

The dust extraction port allows you to connect the tool to an external dust extractor, either using the AirLock™ system (DWV9000-XJ), or a standard 35 mm dust extractor fitment.



**WARNING: ALWAYS** use a vacuum extractor designed in compliance with the applicable directives regarding dust emission when sawing wood. Vacuum hoses of most common vacuum cleaners will fit directly into the dust extraction outlet.

### Rafter Hook (Fig. A) (Included with some models)



**WARNING:** To reduce the risk of serious personal injury, do not use the tool's rafter hook to hang the tool from your body. DO NOT use the rafter hook for tethering or securing the tool to a person or object during use. DO NOT suspend tool overhead or suspend objects from the rafter hook.



**WARNING:** To reduce the risk of injury from the circular saw falling on operators or bystanders, make sure it is supported securely when using the rafter hook, or resting in a secure and stable location when not in use. Be sure to keep the area below clear to reduce the risk of the tool or off-cut material falling and striking someone or something below.

The circular saw has a convenient rafter hook 4 that allows it to hang on a suitable, stable structure between uses. The rafter hook is not for tethering or securing the tool to a person or object during use when elevated.

### MAINTENANCE

Your DEWALT power tool has been designed to operate over a long period of time with a minimum of maintenance. Continuous satisfactory operation depends upon proper tool care and regular cleaning.



**WARNING:** To reduce the risk of serious personal injury, turn tool off and disconnect battery pack before making any adjustments or removing/installing attachments or accessories. An accidental start-up can cause injury.

The charger and battery pack are not serviceable.



### Lubrication

Self lubricating ball and roller bearings are used in the tool and relubrication is not required. However, it is recommended that, once a year, you take or send the tool to a service centre for a thorough cleaning, inspection and lubrication of the gear case.



### Cleaning



**WARNING:** Blow dirt and dust out of the main housing with dry air as often as dirt is seen collecting in and around the air vents. Wear approved eye protection and approved dust mask when performing this procedure.



**WARNING:** Never use solvents or other harsh chemicals for cleaning the non-metallic parts of the tool. These chemicals may weaken the materials used in these parts. Use a cloth dampened only with water and mild soap.



*Never let any liquid get inside the tool; never immerse any part of the tool into a liquid.*

## Lower Guard

The lower guard should always rotate and close freely from a fully open to fully closed position. Always check for correct operation before cutting by fully opening the guard and letting it close. If the guard closes slowly or not completely, it will need cleaning or servicing. Do not use the saw until it functions correctly. To clean the guard, use dry air or a soft brush to remove all accumulated sawdust or debris from the path of the guard and from around the guard spring. Should this not correct the problem, it will need to be serviced by an authorised service centre.

## Base Plate Adjustment (Fig. E, BB, CC)

Your base plate has been factory set to assure that the blade is perpendicular to the base plate. If after extended use you need to re-align the blade, follow the directions below:

### Adjusting for 90 Degree Cuts

1. Return the saw to 0 degrees bevel.
2. Place the saw on its side, and retract the lower guard.
3. Set the depth of cut to 51 mm.
4. Loosen the bevel adjustment lever (8, Fig. CC). Place a square against the blade and the base plate as shown in Fig. BB.
5. Using a hex key (24, Fig. E), turn the set screw (42, Fig. BB) on the underside of the base plate until the blade and the base plate are both in flush contact with the square. Retighten the bevel adjustment lever.

### Adjusting Bevel Adjustment Lever (Fig. CC)

It may be desirable to adjust the bevel adjustment lever 8. It may loosen in time and hit the base plate before tightening.

### To Tighten the Lever

1. Hold the bevel adjustment lever 8 and loosen the bevel locknut 40.
2. Adjust the bevel adjustment lever by rotating it in the desired direction about 1/8 of a revolution.
3. Retighten nut.

## Blades

A dull blade will cause inefficient cutting, overload on the saw motor, excessive splintering and increase the possibility of kickback. Change blades when it is no longer easy to push the saw through the cut, when the motor is straining, or when excessive heat is built up in the blade. It is a good practice to keep extra blades on hand so that sharp blades are available for immediate use. Dull blades can be sharpened in most areas. Hardened gum on the blade can be removed with kerosene, turpentine, or oven cleaner. Anti-stick coated blades can be used in applications where excessive build-up is encountered, such as pressure treated and green lumber.

## Optional Accessories



**WARNING:** Since accessories, other than those offered by DEWALT, have not been tested with this product, use of such accessories with this tool could be hazardous. To reduce the risk of injury, only DEWALT recommended accessories should be used with this product.

DO NOT USE WATER FEED ATTACHMENTS WITH THIS SAW. VISUALLY EXAMINE CARBIDE BLADES BEFORE USE. REPLACE IF DAMAGED.

Consult your dealer for further information on the appropriate accessories.

## Protecting the Environment



Separate collection. Products and batteries marked with this symbol must not be disposed of with normal household waste.

Products and batteries contain materials that can be recovered or recycled reducing the demand for raw materials. Please recycle electrical products and batteries according to local provisions. Further information is available at [www.2helpU.com](http://www.2helpU.com).

## Rechargeable Battery Pack

This long life battery pack must be recharged when it fails to produce sufficient power on jobs which were easily done before. At the end of its technical life, discard it with due care for our environment:

- Run the battery pack down completely, then remove it from the tool.
- Li-Ion cells are recyclable. Take them to your dealer or a local recycling station. The collected battery packs will be recycled or disposed of properly.

## After Service and Repair

DEWALT service centers are staffed with trained personnel to provide customers with efficient and reliable product service. We do not take any responsibility when you have repaired in unauthorized service center. You can refer to the leaflet of CONTACT CENTER LOCATOR in product package and contact us through hotline, website or social media to find the nearest DEWALT service center around you.

# 184 mm 锂电充电式电圆锯

## DCS578, DCS579

### 恭喜!

感谢您选购 DeWALT 工具。凭借多年的产品开发和创新经验, DeWALT 已经成为专业电动工具用户最可靠的合作伙伴之一。

### 技术参数

		DCS578	DCS579
电压	V <sub>oc</sub>	54(60 Max)	54(60 Max)
电池类型		锂离子	锂离子
空载转速	min <sup>-1</sup>	5800	5800
锯片直径	mm	184	184
最大切割深度	mm	64	58
锯片孔	mm	20	20
斜角调整		57	57
重量 (不含电池组)	kg	3.6	3.7


最大初始电池电压 (在无工作负载的情况下测量) 为60伏。标称电压为54伏。

电池				充电器/充电时间 (分钟)									
目录号	伏特	安时	(kg)	DCB104	DCB107	DCB112	DCB113	DCB115	DCB116	DCB117	DCB118	DCB132	DCB119
DCB546/DCB606	18/54 (20/60 Max)	6.0/2.0	1.05	60	270	170	140	90	80	40	60	90	X
DCB547/DCB609	18/54 (20/60 Max)	9.0/3.0	1.46	75*	420	270	220	135*	110*	60	75*	135*	X
DCB548/DCB612	18/54 (20/60 Max)	12.0/4.0	1.44	120	540	350	300	180	150	80	120	180	X


日期码 2018114758 或以后


### 定义:安全指南

下列定义描述了各标志术语的严重程度。请仔细阅读本手册, 并注意这些标志。

 **危险:** 表示存在紧急危险情况, 如果不加以避免, 将导致死亡或严重伤害。

 **警告:** 表示存在潜在的危险情况, 如果不加以避免, 可能导致死亡或严重伤害。


 **小心:** 表示存在潜在危险情况, 如果不加以避免, 可能导致轻度或中度伤害。

 **注意:** 表示存在不涉及人身伤害的情况, 若如果不加以避免, 可能导致财产损失。

 表示存在触电风险。

 表示存在火灾风险。

### 电动工具通用安全警告

 **警告!** 阅读随电动工具提供的所有安全警告、说明、图示和规定。不遵照以下所列说明会导致电击、着火和/或严重伤害。

**保存所有警告和说明书以备查阅。**

警告中的术语“电动工具”指市电驱动 (有线) 电动工具或电池驱动 (无线) 电动工具。

### 1) 工作场地的安全

- 保持工作场地清洁和明亮。杂乱和黑暗的场地会引发事故。
- 不要在易爆环境, 如有易燃液体、气体或粉尘的环境下操作电动工具。电动工具产生的火花会点燃粉尘或气体。
- 操作电动工具时, 远离儿童和旁观者。注意力不集中会使你失去对工具的控制。

### 2) 电气安全

- 电动工具插头必须与插座相配。绝不能以任何方式改装插头。需接地的电动工具不能使用任何转换插头。未经改装的插头和相配的插座将降低电击风险。
- 避免人体接触接地表面, 如管道、散热片和冰箱。如果你身体接触接地表面会增加电击风险。
- 不得将电动工具暴露在雨中或潮湿环境中。水进入电动工具将增加电击风险。
- 不得滥用软线。绝不能用软线搬运、拉动电动工具或拔出其插头。使软线远离热源、油、锐边或运动部件。受损或缠绕的软线会增加电击风险。
- 当在户外使用电动工具时, 使用适合户外使用的延长线。适户外使用的电线将降低电击风险。
- 如果无法避免在潮湿环境下操作电动工具, 应使用带有剩余电流装置 (RCD) 保护的电源。RCD 的使用可降低电击风险。

### 3) 人身安全

- 保持警觉, 当操作电动工具时关注所从事的操作并保持清醒。当你感到疲倦, 或在有药物、酒精或治疗反应时, 不要

**操作电动工具。**在操作电动工具时瞬间的疏忽会导致严重人身伤害。

- b) **使用个人防护装置。始终佩戴护目镜。**防护装置，诸如适当条件下使用防尘面具、防滑安全鞋、安全帽、听力防护等装置能减少人身伤害。
- c) **防止意外起动。**在连接电源和/或电池盒、拿起或搬运工具前确保开关处于关断位置。手指放在开关上搬运工具或开关处于接通时通电会导致危险。
- d) **在电动工具接通之前，拿掉所有调节钥匙或扳手。**遗留在电动工具旋转零件上的扳手或钥匙会导致人身伤害。
- e) **手不要过分伸展。时刻注意立足点和身体平衡。**这样能在意外情况下能更好地控制住电动工具。
- f) **着装适当。不要穿宽松衣服或佩戴饰品。**让你的头发和衣服远离运动部件。宽松衣服、配饰或长发可能会卷入运动部件。
- g) **如果提供了与排屑、集尘设备连接用的装置，要确保其连接完好且使用得当。**使用集尘装置可降低尘屑引起的危险。
- h) **不要因为频繁使用工具而产生的熟悉感而掉以轻心，忽视工具的安全准则。**某个粗心的动作可能在瞬间导致严重的伤害。

#### 4) 电动工具使用和注意事项

- a) **不要勉强使用电动工具，根据用途使用合适的电动工具。**选用合适的按照额定值设计的电动工具会使你工作更有效、更安全。
- b) **如果开关不能接通或关断电源，则不能使用该电动工具。**不能通过开关来控制的电动工具是危险的且必须进行修理。
- c) **在进行任何调节、更换附件或贮存电动工具之前，必须从电源上拔掉插头和/或卸下电池组(如可拆卸)。**这种防护性的安全措施降低了电动工具意外起动的风险。
- d) **将闲置不用的电动工具贮存在儿童所及范围之外，并且不允许不熟悉电动工具和不了解这些说明的人操作电动工具。**电动工具在未经培训的使用者手中是危险的。
- e) **维护电动工具及其附件。检查运动部件是否调整到位或卡住，检查零件破损情况和影响电动工具运行的其他状况。**如有损坏，应在使用前修理好电动工具。许多事故是由维护不良的电动工具引发的。
- f) **保持切削刀具锋利和清洁。**维护良好地有锋利切削刃的刀具不易卡住而且容易控制。
- g) **按照使用说明书，并考虑作业条件和要进行的作业来选择电动工具、附件和工具的刀头等。**将电动工具用于那些与其用途不符的操作可能会导致危险情况。
- h) **保持手柄和握持表面干燥、清洁，不得沾有油脂。**在意外的情况下，湿滑的手柄不能保证握持的安全和对工具的控制。

#### 5) 电池式工具使用和注意事项：

- a) **仅使用生产者规定的充电器充电。**将适用于某种电池组的充电器用到其他电池组时可能会发生着火危险。
- b) **仅使用配有专用电池组的电动工具。**使用其他电池组可能会产生伤害和着火危险。
- c) **当电池组不用时，将它远离其他金属物体，例如回形针、硬币、钥匙、钉子、螺钉或其他小金属物体，以防电池组一端与另一端连接。**电池组端部短路会引起燃烧或着火。
- d) **在滥用条件下，液体可能会从电池组中溅出，应避免接触。**如果意外碰到液体，用水冲洗。如果液体碰到了眼睛，还

**应寻求医疗帮助。**从电池中溅出的液体可能会发生腐蚀或燃烧。

- e) **不要使用损坏或改装过的电池组或工具。**损坏或改装过的电池组可能呈现无法预测的结果，导致着火、爆炸或伤害。
- f) **不要将电池组暴露于火或高温中。**电池组暴露于火或高于130℃的高温中可能导致爆炸。

#### 6) 维修

- a) **让专业维修人员使用相同的备件维修电动工具。**这将保证所维修的电动工具的安全。
- b) **决不能维修损坏的电池组。**电池组仅能由生产者或其授权的维修服务商进行维修。

## 所有电锯的安全指示

### 切割流程

- a) **▲ 危险：请让双手远离切割区域和锯片。另一只手始终握住辅助手柄或放在电机外壳上。**如果双手都握住电锯，就不会被锯片切到。
- b) **请勿触碰工件下方区域。**防护罩无法在工件下方为您提供保护。
- c) **根据工件厚度，调整切割深度。**在工件下方应该只能看到稍稍露出的锯片锯齿。
- d) **在切割时，不得用手握住工件，或将工件放在腿上。将工件固定在稳定的平台上。**应为作业提供恰当的支撑，让身体暴露程度、锯片缠绕或失控降到最低，这一点很重要。
- e) **当在切割附件有可能切割到暗线的场所进行操作时，要通过绝缘握持面来握住电动工具。**切割附件碰到一根带电导线可能会使电动工具的外露金属零件带电并使操作者发生触电危险。
- f) **在割裂时，务必使用锯栅或直边导轨。**这能提高切割精度，并降低锯片缠绕的几率。
- g) **务必使用心轴孔大小和形状(金钻石形vs.圆形)都适合的锯片。**与电锯安装硬件不匹配的锯片会偏离中心，造成失控。
- h) **不得使用受损或不正确的锯片垫片或插销。**锯片垫片和螺栓是专门针对您的电锯而设计的，以实现最优性能，保证操作安全。

## 所有电锯的进一步安全说明

### 造成反弹的原因和相关警告

- 反弹是对被夹住、缠绕或未能对齐的锯片所做出的突然反应，这会造成电锯失控而被拉起，离开工件并转向操作人员。
- 当被切缝夹住或缠绕，锯片就会停止，而由此产生的运动反应会让工具迅速向操作人员回弹。
- 如果锯片在切割中变得扭曲或未能对准，那么锯片后刃的锯齿会扎入木材表面，让锯片爬出切缝并向操作人员回弹。

反弹是电动工具误用和/或不正确操作工序或条件的结果，可以通过以下给出的适当预防措施以避免。

- a) **双手紧握电锯，双臂保持在正确位置，抵抗反弹力。**让自己站在锯片的任何一侧，但不要与锯片处在同一条直线上。反弹会让电锯向后跳动，但如果操作人员采取适当的保护措施，则可以控制反弹力。
- b) **如果锯片被卡住，或因任何原因导致切割终端，请松开扳机开关，并让电锯停留在材料中不要动，直到锯片完全停止。**

决不要试图在锯片仍然运转时让电锯离开作业环境或将锯片往回拉，否则会发生反弹。调查并采取校正措施以消除锯片卡住的原因。

- c) 当在工件中重启电锯时，要让电锯处在切缝的正中央，不要让锯齿卡在材料中。如果锯片被缠住，可能会在电锯重启时向上走或从工件中反弹。
- d) 支撑住板材可使得锯片卡住和反弹的危险降到最低。大型板材会凭借自重而下垂。必须在板材下的两侧，靠近切割线以及板材边缘处放置支撑。
- e) 请勿使用钝化或受损的锯片。不锋利或设置不当的锯片会形成狭窄的切缝，进而产生过大的摩擦，导致锯片被束缚或反弹。
- f) 在开始切割前，务必确保锯片的深度和斜角调整锁定转动杆是坚固的。如果在切割时，锯片调整出现偏移，可能会造成束缚或反弹。
- g) 当切入现有的墙体或其他盲区时，要格外小心。伸出的锯片可能会切到造成反弹的物体。

## 带有钟摆式锯片防护罩的电锯的安全指示

- a) 每次使用前，先检查下防护罩，确保能正常关闭。如果下防护罩无法自由活动，不能顺利关闭，那么请勿使用该电锯。不得用夹子或绳索将下防护罩固定在打开的位置。如果电锯不慎掉落，会使下防护罩弯折。用伸缩手柄拉起下防护罩，确保它能自由活动，而且在任何角度和切割深度上，都不会触碰到锯片或任何其他部件。
- b) 检查下防护罩弹簧的情况。如果防护罩和弹簧都无法正常活动，那么必须在使用前先进行维修。下防护罩可能会因为受损部件、黏性沉积物或累积的碎屑而活动缓慢。
- c) 只有在进行特种切割时，才能手动拉起下防护罩，例如“切入式切割”和“复合切割”。用伸缩手柄拉起下防护罩，而且在锯片切入材料时，必须立即松开下防护罩。对于所有其他的切割，下防护罩应该自动运转。
- d) 在将电锯放在工作台或地板上之前，务必注意，下防护罩要覆盖锯片。未受保护、向下滑行的锯片会让锯片向后运行，并切割沿途上的任何物体。要注意松开开关后，锯片停止转动所需的时间。

## 圆锯的附加安全说明

- 佩戴听力保护器。暴露在噪声环境中可能会造成听力丧失。
- 佩戴防尘口罩。暴露在粉尘中可能会引起呼吸困难并可能导致受伤。
- 请勿使用使用大于或小于推荐直径的锯片。如需了解适当的锯片额定值，请参见技术参数。仅使用手册中规定的锯片，遵守 EN847-1 的规定。
- 仅使用标记速度等于或高于工具上所标记的速度的锯片。
- 避免锯片尖端出现过热。
- 使用前，在电锯上安装除尘接口。
- 不得使用带有研磨性的切割砂轮。
- 请勿使用给水附件。
- 使用夹具或其他实用的方法，将工件固定、支撑到稳定的平台上。手持或用身体顶住工件都是不稳定的，会导致操作失控。

## 剩余风险

尽管遵守了相关的安全法规并采用了安全装备，某些剩余风险仍然是无法避免的。这些风险包括：

- 听力损伤。
- 飞溅颗粒造成的人身伤害风险。
- 使用时附件发热导致的灼伤风险。
- 长时间使用引起的人身伤害风险。

### 请妥善保管好这些说明

## 充电器

DeWALT 充电器无需做出任何调整，专为简易操作而设计。

## 电气安全

电机只适用一种工作电压。请务必检查电池组的电压是否和铭牌上的电压一致。另外，请确保充电器电压和主电源的电压一致。



DeWALT 充电器符合 IEC60335 双重绝缘要求，因此无需使用接地线。

如果电源线损坏，必须由 DeWALT 或授权的维修机构负责更换。

### 使用延长线

除非绝对必要，否则请勿使用延长线。使用适合您的充电器输入功率的合格延长线（见技术参数）。最小的导线尺寸为 1 平方毫米；最大长度为 30 米。

使用电缆卷筒时，请务必拉出所有的电缆。

### 针对所有电池充电器的重要安全说明

请妥善保管好这些说明：本手册包含重要的兼容电池充电器安全和操作说明（请参阅技术参数）。

- 在使用充电器之前，请先阅读所有指示以及充电器、电池组和使用电池组的产品上的警告标记。



**警告：**触电危险。切勿让任何液体进入充电器，否则可能会导致触电。



**警告：**我们建议使用时使用漏电保护额定电流为 30 毫安或以下的漏电保护装置。



**小心：**灼伤危险。为降低人身伤害风险，请仅使用 DeWALT 充电式电池充电。使用其它类型的电池可能会引起爆裂，并导致人身伤害和损害。



**小心：**应看管好儿童，以确保他们不将此设备当做玩具来玩。

**注意：**在某些情况下，当充电器的插头插入电源插座时，充电器内部裸露的充电接触点可能因为外来物件而短路。请勿让能导电的异物靠近充电器腔，这些外来物件包括但不限于钢棉、铝箔或任何金属颗粒的堆积物。充电器内没有电池组时，请断开充电器与电源的连接。清洗前，务必拔掉充电器。

- 请勿试图使用本手册指定的充电器以外的其他任何充电器为电池组充电。充电器和电池组都是专门设计的，互相配合使用。
- 除了为 DeWALT 充电式电池充电以外，这些充电器并非设计用于其他用途。否则，可能会导致火灾、触电或电击。
- 请勿将充电器暴露于雨中或雪中。
- 断开充电器连接时，应拔出插头，切勿拉拽电源线。这将降低对插头和电线的损害风险。
- 确保电源线布置在不易踩踏、踢绊、拉扯或会受到损害或压力的位置。



- 除非绝对必要，否则请勿使用延长线。使用不正确的延长线可能导致火灾、触电或电击的风险。
- 请勿将任何物件放在充电器上面，或是把充电器放在可能会堵住通风槽的柔软表面，导致充电器的内部过热。请把充电器放置在远离任何热源的地方。充电器通过外壳顶端和底端的槽进行通风。
- 禁止使用电源线或插头已损坏的充电器，请立即更换这些充电器。
- 如果充电器受到强烈冲击、掉落或出现其他损坏情况，请勿使用充电器。请将损坏的充电器送到授权服务中心。
- 请勿自行拆卸充电器。请将需要检修或修理的充电器送到授权服务中心。重装不正确可能导致触电、电击或火灾风险。
- 必须立即将已损坏的电源线交由制造商、服务代理或类似的合格人员进行更换以防止安全隐患。
- 清洁前，请先断开充电器和插座的连接，以降低触电风险。取出电池组不会降低此风险。
- 切勿将两个充电器连接在一起。
- 充电器是为 220V 的标准家用电源而设计。请勿试图在任何其他电压下使用充电器。此规则不适用于车载充电器。

## 为电池充电 (图 A)

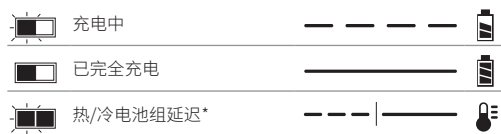
- 插入电池组前，先将充电器的插头插到相应的电源插座上。
- 将电池组 **16** 插入到充电器中，确定电池组完全就位。红色 (充电中) 指示灯将不断闪烁，表示充电过程已经开始。
- 红色灯持续亮起表示充电完成。此时电池组已完全充电，您可以使用电池组或将电池组留在充电器上。如需从充电器上取下电池组，请按下电池组上的电池释放按钮 **17**。

**注意：**为了确保锂离子电池的效能和使用寿命最大化，在首次使用电池组之前必须将其完全充电。

## 充电器操作

关于电池组的充电状态，请参阅以下指示灯说明。

### 充电状态指示灯



\*红色指示灯会继续闪烁，但黄色指示灯在本次操作过程中会亮起。电池组达到适当温度后，黄色指示灯会熄灭，充电器将恢复充电程序。

此兼容充电器不能为故障的电池组充电。充电器指示灯不亮时表示电池有故障。

**注意：**这也可能意味着充电器有故障。

如果充电器提示存在故障，请将充电器和电池组送到授权的服务中心进行测试。

### 热/冷电池组延迟

当充电器检测到电池组过热或过冷时，它会启动热/冷电池延迟模式，暂停充电，直到电池组达到适当的温度。然后，充电器会自动切换到电池组充电模式。此功能可确保电池组拥有最长的使用寿命。

冷电池组充电速度比热电池组充电速度慢。电池组在整个充电周期的充电速度都会较慢，即使电池组升温也不会恢复到最大速度。

DCB118 充电器配备专用于冷却电池组的内部风扇。电池组需要冷却时，风扇会自动启动。如果风扇运转不正常或通风槽堵塞，切勿操作充电器。请勿让异物进入充电器内部。

## 电子保护系统

XR 锂离子电池工具具有电子保护系统设计，可保护电池组免受过载、过热或过度放电之害。

如果电子保护系统处于运作状态，该工具将自动停止操作。如果发生这种情况，请将锂离子电池组放在充电器上，直至其完全充电。

## 壁挂式安装

这些充电器设计为可以安装在墙上，也可以直立在桌面或工作台上。如果安装在墙上，请确保充电器的位置可以连接到电源插座，并且远离墙角或其他可能妨碍空气流通的障碍物。将充电器背面作为在墙上安装螺丝的位置模板。使用至少 25.4 毫米长、螺丝帽直径至少 7.9 毫米的石膏板螺丝 (单独购买) 牢牢固定充电器，将螺丝最大限度打入木材，预留约 5.5 毫米露在墙外。将充电器背面的安装槽对准露出的螺丝，完全放置到位。

## 充电器清洁说明



**警告：触电危险。清洁前，请将充电器从交流电源插座上拔下。**可用布或非金属软刷清除充电器外部的污垢和油脂。请勿使用水或任何清洁剂。切勿让任何液体渗入工具，切勿让工具的任何部件浸在液体中。

## 电池组

### 针对所有电池组的重要安全说明

在订购更换电池组时，请务必附上目录型号和电压。

包装箱内的电池组并未完全充电。使用电池组和充电器之前，请阅读下列安全说明，然后遵循所述的充电程序。

### 请阅读所有说明

- 请勿在易爆环境，如有易燃液体、气体或粉尘的环境中充电或使用电池。在充电器中插入或取出电池时可能会点燃粉尘或气体。
- 切勿强行将电池放进充电器。请勿以任何方式改装电池组并将电池组插入不兼容的充电器，这种操作可能会导致电池组破裂，造成严重的人身伤害。
- 只使用 DEWALT 充电器为电池充电。
- 请勿溅湿电池组或其浸泡在水或其他液体中。
- 请勿在温度可能低于 4 °C (34 °F) (如冬户外外的棚子或金属建筑物中)，或在温度可能达到或超过 40 °C (104 °F) 的地方 (如夏户外外的棚子或金属建筑物中) 存储或使用工具和电池组。
- 即使电池组严重受损或完全损坏，也请勿焚化电池组。电池组在火中会发生爆炸。锂离子电池组在燃烧时会释放有毒气体和物质。
- 如果电池液体接触到皮肤，请立即以中性肥皂和清水冲洗接触的地方。如果电池液体不慎进入眼睛，应睁开眼睛并用清水冲洗至少 15 分钟或直到刺激感消失。如果需要医疗救助，请告知医护人员。电池电解质由液状有机碳酸盐和锂盐的混合物组成。
- 已打开电池的**内部物质**可能导致呼吸道刺激。请保持空气流通。如果症状持续存在，请就医。



**警告：**灼伤危险。电池液如果接触到火花或火焰可能会燃烧。



**警告：**切勿以任何理由试图打开电池组。电池组外壳破裂或损坏时，请勿将电池组插入充电器。请勿挤压、掉落或损坏电池组。请勿使用受过强烈冲击、掉落、碾压或以任何其它

方式(如被钉子穿破、受到锤子的重击、踩踏)受损的电池组或充电器。否则可能会引起触电或电击。损坏的电池组应送回服务中心进行回收。



**警告:火灾危险。请勿在存储或搬运电池组时让金属物品接触暴露的电池两极。**例如,请勿将电池组放在围裙、口袋、工具箱、产品套件盒、抽屉等可能与散钉、螺丝、钥匙等物品接触的地方。



**警示:不用时,将工具侧放在平稳的表面上,确保不会有踉跄或掉落危险。**一些配有大型电池组的工具将直立于电池组之上,但可能会轻易被撞倒。

## 运输



**警告:火灾危险。**电池运输途中,如果电池两极意外接触导电材料,可能会引发火灾。运输电池时,务必保护电池两极,确保与可能接触电池导致短路的材料良好绝缘。

DeWALT 电池符合所有适用的行业和法律标准规定的运输规范,包括《联合国危险品运输建议规章范本》(UN Recommendations on the Transport of Dangerous Goods)、《国际航空运输协会 (IATA) 危险品规则》(International Air Transport Association (IATA) Dangerous Goods Regulations)、《国际海运危险品(IMDG)规则》(International Maritime Dangerous Goods (IMDG) Regulations) 和《欧洲危险货物国际公路运输协定》(European Agreement Concerning The International Carriage of Dangerous Goods by Road) (ADR)。锂离子电池和电池组已遵循《联合国危险品运输建议规章范本手册》第 38.3 节关于测试和标准的说明通过测试。

大多数情况下,发运 DeWALT 电池组不属于完全管制的 9 类危险品。通常情况下,只有当运输包含一个能量等级大于 100 瓦时(Wh) 的锂离子电池时,才需要作为完全管制的 9 类危险品发运。所有锂离子电池外壳上均标注有瓦时等级。此外,由于法规比较复杂,无论瓦时等级是多少,DeWALT 都不建议单独空运锂离子电池组。发运包含电池的工作(组合套件)时,如果电池组的能量等级不大于 100 瓦时(Wh),则可以按计划空运。

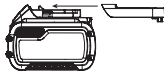
无论发运是否纳入完全管制范围内,运输公司均有责任遵循最新法规中关于包装、标签/标记和单据的要求。本手册本节的信息是出于善意提供,且认为在编制文档时准确无误。但是不提供明示或暗示的担保。购买方负有确保其行为遵守适用法规的责任。

## 运输 FLEXVOLT™ 电池

DeWALT FLEXVOLT™ 电池有两种模式:**使用**和**运输**。

**使用模式:**当 FLEXVOLT™ 电池单独使用或用于 DeWALT 18 伏(最大 20 伏)产品时,将作为功率为 18 伏(最大 20 伏)的电池进行操作。当 FLEXVOLT™ 电池用于 54 伏(最大 60 伏)或 108 伏(最大 120 伏)两个 54 伏(最大 60 伏)电池的产品时,将作为 54 伏(最大 60 伏)的电池进行操作。

**运输模式:**当电池盖连接到 FLEXVOLT™ 电池时,电池会进入运输模式。保留电池盖用于运输。



处于运输模式时,电池组内部的电池芯会处于断电状态,使 3 个低瓦时 (Wh) 等级的电池相当于 1 个高瓦时等级电池。这样,增加 3 个低瓦时等级的电池可以使电池组不必遵守适用于更高瓦时电池的运输法规。

例如,若运输额定瓦时为 3 x 36 瓦时,则表示 3 个 36 瓦时的电池。使用瓦时额定值可能是 108 瓦时(表示 1 个电池)。

使用和运输标签示例



## 存放建议

1. 最好将电池存放在阴凉、干燥、远离阳光直射、不会过热或过冷的地方。为了获得最佳的电池性能和使用寿命,请您在不使用电池组时将其存储在室温下。
2. 长期存储时,建议将完全充电的电池组从充电器取出,存储在阴凉、干燥的地方,以达到最佳效果。

**注:** 电池组不应在电池已完全耗尽的状态下存放。使用电池组之前,必须重新为电池组充电。

## 充电器和电池组上的标签

除了在本手册中所使用的标志,充电器和电池组的标签还包括:



使用前请阅读使用手册



充电时间详细信息,请参阅**技术参数**。



请勿使用导电物体戳刺。



请勿对损坏的电池组充电。



请勿将其暴露于水中。



应立即更换有缺陷的电线。



请只在 4°C 和 40°C 之间的温度下充电。



只能在室内使用。



弃置电池组时,请妥善处理以保护我们的环境。

LI-ION

只使用指定的 DeWALT 充电器为 DeWALT 电池组充电。使用 DeWALT 充电器为非 DeWALT 电池充电可能会导致电池爆炸或出现其他危险情况。



请勿焚化电池组。



使用(无电池盖)。示例:瓦时额定值为 108 瓦时(1 个 108 瓦时的电池)。



运输(有内置运输盖)。示例:瓦时额定值为 3 x 36 瓦时(3 个 36 瓦时的电池)。

## 电池类型

DCS578 和 DCS579 使用 54(最大 60)伏特电池组。

这些电池组可用于:DCB546, DCB547, DCB548, DCB606, DCB609, DCB612。更多信息,请参阅**技术参数**。

## 包装内的物品

包装内的物品包括:

- 1 把圆锯

- 1 个圆锯锯片
- 1 把锯片扳手
- 1 个平行挡板
- 1 个除尘接口
- 1 个充电器 (仅限于X型号)
- 1 个锂电池组 (C1, D1, L1, M1, P1, S1, T1, X1, Y1 型号)
- 2 个锂电池组 (C2, D2, L2, M2, P2, S2, T2, X2, Y2 型号)
- 3 个锂电池组 (C3, D3, L3, M3, P3, S3, T3, X3, Y3 型号)
- 1 本说明手册

**注意:** N型号不包含电池组、充电器和工具箱。N型号不包含电池组、充电器。

- 检查工具、部件或附件是否在运输过程中损坏。
- 操作前, 请抽空仔细阅读并掌握本手册。

## 工具上的标记

工具上印有列图形:



使用前请阅读使用手册。



请佩戴听力保护器。



请佩戴护目装备。



肉眼可见的辐射。请勿直视光照。

## 日期代码位置 (图 H)

包含制造年份的日期码 **18** 打印在工具外壳上。

示例:

2020 XX XX  
制造年份

## 说明 (图 A, H)

**警告:** 切勿改装本电动工具或其任何部件, 否则可能会导致损坏或人身伤害。

- 1 扳机开关
- 2 扳机开关锁定按钮
- 3 主手柄
- 4 楔钩 (某些型号会随产品附送)
- 5 锯片锁
- 6 端盖
- 7 辅助手柄
- 8 斜角调整转动杆
- 9 斜角调整机制
- 10 LED工作灯
- 11 底板
- 12 下部锯片防护罩
- 13 锯片夹紧螺栓
- 14 下防护罩转动杆
- 15 上部锯片防护罩
- 16 电池组
- 17 电池释放按钮

- 18 日期码 (图H)
- 19 轨道调节器 (0°切割)
- 20 轨道调节器 (1-45°切割)
- 21 电量计按钮 (在电池组上)

## 设计用途

这些重型圆锯被设计用于专业木材切割。**请勿**用它们切割金属、塑料、混凝土、砖石结构或纤维水泥材料。**请勿**在该电锯上使用给水附件。**请勿**使用磨理性砂轮或锯片。**请勿**在潮湿环境中或在易燃液体或气体存在的环境中使用本工具。

这些重型电锯是专业的电动工具。

**请勿**让儿童接触本工具。缺乏经验的操作员需要在监督下使用本工具。

- **儿童和体弱者。**在没有他人监督的情况下, 儿童或体弱者不适宜使用本产品。
- 本产品不适合体力、感官或智力不足以或缺乏经验、知识或技能的人员 (包括儿童) 使用, 除非一旁有能为他们的安全负责的监督人员。不得在无人监管的情况下让儿童接触本产品。

## 组装与调整



**警告:** 为降低严重的人身伤害风险, 在进行任何调整或取出/安装附件或配件之前, 请关闭工具并断开电池组连接。意外启动可能会导致人身伤害。



**警告:** 只使用 DeWALT 电池组和充电器。

## 向工具插入电池组以及从中取出电池组 (图 A)

**注意:** 确保电池组 **16** 充满电。

### 如需将电池组安装到工具手柄中

1. 将电池组 **16** 与工具手柄内的轨道对齐 (图 A)。
2. 将电池组滑入手柄内, 使其牢牢地固定在工具内, 并确保您听到其锁定到位的声音。

### 从工具中取出电池组

1. 按下释放按钮 **17** 将电池组从工具握柄中稳妥地拉出。
2. 按本手册充电器部分所述将电池组插入充电器中。

### 电池组电量计 (图 A)

一些 DeWALT 电池组带有一个包含三个绿色 LED 指示灯的电量计, 用于指示电池组内的剩余电量。

按下电量计按钮 **21** 不松开, 即可启动电量计。三个绿色 LED 指示灯将以组合方式亮起, 以指示剩余电量。当电池内的电量低于可用限制时, 电量计将不会亮起, 电池将需要重新充电。

**注意:** 电量计仅指示电池组的剩余电量。它并不表示该工具的功能, 且将根据产品组件、温度和最终用户的使用情况而有所不同。

## 更换锯片

### 更换锯片 (图 B-E)

1. 拆卸电池。
2. 使用下防护罩 **14**, 拉起下锯片防护罩 **12**, 将锯片放入电锯主轴并抵住内侧夹紧垫圈 **22**, 确保锯片朝着正确的方向转动 (锯片上的转动箭头方向和锯齿必须与电锯上的转动方向一致)。请勿假设在正确安装后, 锯片上的字样始终会朝向自己。在拉起下防护罩安装锯片时, 检查其中的情形以及下防护罩的活动情况,

确保它们运作正常。确保它能自由活动，而且在任何角度和切割深度上，都不会触碰到锯片或任何其他部件。

- 将外部夹紧垫圈放在 **23** 电锯主轴上，让带有斜面的一侧朝外。确保夹紧垫片侧的20毫米直径与锯片上的20毫米孔洞吻合，确保锯片位于中间位置。
- 将锯片夹紧螺栓 **13** 手动旋入电锯主轴（螺栓有右旋螺纹，必须顺时针转动才能拧紧）。
- 按下锯片锁 **5**，同时用放在电池仓下的锯片扳手 **24** 转动电锯主轴，直到锯片锁锁定，而且锯片停止转动为止。
- 用锯片扳手拧紧锯片夹紧螺栓。

**注意：**不得在电锯仍在转动时锁定锯片锁，或试图通过锁定让工具停止转动。不得在锯片锁处于锁定状态时打开电锯。这将严重损坏您的电锯。

## 更换锯片 (图 B-E)

- 拆卸电池。
- 如需松开锯片夹紧螺栓 **13**，按下锯片锁 **5** 并同时用放在电池仓下的锯片扳手 **24** 转动电锯主轴，直到锯片锁锁定，而且锯片停止转动为止。在锯片锁锁定的情况下，用锯片扳手逆时针方向转动锯片夹紧螺栓（螺栓有右旋螺纹，必须逆时针转动才能拧紧）。
- 取下锯片夹紧螺栓 **13** 和外侧夹紧垫圈 **23**。拆卸原来的锯片。
- 清除防护罩中可能累积的任何锯屑，同时根据之前说明的方法，检查下锯片防护罩的情况和运行状态。请勿对该区域进行润滑。
- 为应用选择恰当的锯片（参见 **锯片**）。务必为大小和形状适当的中心孔选用正确尺寸（直径）的锯片，以便安装在电锯主轴上。务必确保锯片上建议的最大速度（rpm）能达到或超过电锯的速度（rpm）。
- 按照 **安装锯片** 部分的步骤 1 到 5 进行操作，确保锯片的转向正确。

## 下锯片防护罩



**警告：**下方的锯片防护罩能起到安全防护作用，降低造成严重人员受伤的风险。如果下防护罩缺失、损坏、安装不当或无法正常运行，那么不得使用电锯。请勿在所有情况下都依赖下锯片防护罩为您提供保护。您的安全取决于对所有警告的遵守情况，所采取的防护措施以及电锯的运转情况。每次使用前，先检查下防护罩，确保能正常关闭。如果下防护罩缺失或无法正常运行，请先将电锯送修，然后再使用。为保证产品的安全性和可靠性，它的维修、维护和调节均应由获得授权的维修中心或其他具备资质的机构进行，务必使用相同的替换部件。

## 检查下防护罩 (图 A)

- 关闭工具并拔出电源线。
- 将下防护罩转动杆 **14** 从完全关闭的位置转到完全打开的位置。
- 释放转动杆，并让防护罩 **12** 回到完全关闭的位置。

如果出现以下情况，应该由符合资质的维修中心来维修工具：

- 未能回归完全关闭的位置，
- 移动不连贯或很缓慢，或
- 在所有角度和切割深度上都与锯片或工具的任何零部件有接触。

## 锯片



**警告：**为将眼睛受伤的风险降到最低，请务必佩戴护目镜。碳化物是一种坚硬但易碎的材料。工件中的异物，例如电线或钉子，会让尖端裂开或破损。只可在已安装适当锯片防护罩的情况下才能操作电锯。先牢固安装锯片，使其转动顺畅，然后才能使用，务必使用清洁、锋利的锯片。



**警告：**请勿用该电锯切割金属、塑料、混凝土、砖石结构或纤维水泥材料。

### 190 mm 直径

应用	锯齿
快速纵切	18
纵切	24
一般目的	40

### 184 mm 直径

应用	锯齿
纵切	24
一般目的	36
精切	60

如果您在锯片方面需要协助，请联系您当地的DeWALT经销商。

## 反弹

反弹是锯片在被夹住、缠绕或未对准的情况下出现的突然反应，这会让失控的电锯向上扬起，离开工作并朝操作人员弹去。当锯片被封闭的切口夹住或缠绕，就会停滞，同时电机反应会迫使工具快速向操作人员回撤。如果在切割过程中，锯片被缠绕或未能对齐，那么锯片后刃上的锯齿会切入材料的上表面，让锯片爬出切口并朝着操作人员向后回弹。

如果存在以下任何情况，都很可能会导致回弹。

### 1. 不当的工件支撑 (图 X)

- 被切割下的部分下落或被不当的方式拉起，会造成锯片被夹住，从而导致反弹 (图 X)。
- 对在外端有支撑的材料进行切割只会引发反弹。随着材料被越切越少，就会出现下垂，从而令切口封闭，夹住锯片 (图 X)。
- 自下而上，垂直切割用挂在悬臂上或被吊起的材料会引发反弹。被切割下的部分如果掉落会让锯片被夹住。
- 切下窄条会造成反弹。被切下的窄条会垂下或缠绕起来，封闭切口，夹住锯片。
- 让下防护罩挂在正被切割的材料下方的表面上，会削弱操作人员的控制。电锯会稍稍向上扬起，增加锯片被缠绕的可能。

### 2. 为电锯设定了不当的切割深度 (图 H)

如需让切割最高效，应该让锯片伸出的足够远，直到让锯齿暴露出来，如图 H 所示。这让底座能够为锯片提供支持，将锯片在材料中被缠绕和夹住的可能降到最低。请参见名为 **切割深度调节的部分**。

### 3. 锯片缠绕 (在切割时未能对齐)

- 在切割时，用力向前推会造成锯片被缠绕。
- 在切割时，试图转动电锯（试图重新沿着标记线切割）会让锯片缠绕。
- 身体多度前倾，或在操作电锯时身体控制不到位（失衡）都会造成锯片被缠绕。
- 在切割时，更换把手或身体姿势会造成锯片被缠绕。
- 支撑电锯以清洁锯片会导致被缠绕。

### 4. 使用钝化或有污垢的锯片

钝化的锯片会增加巨大负荷。作为弥补，操作人员通常会更用力地向前推，从而进一步加重电锯的负担，造成锯片在切口中被缠绕。磨损的锯片的一体间隙也不够，这会增加被束缚的几率，同时加重负荷。



## 5. 在锯齿卡在材料中的情况下重新开始切割

先让电锯达到全速运行的状态，然后再开始切割，或是在电锯因为锯片被卡在切口而中后停止后，先让电锯全速运行，然后再重新启动。如果未能这样操作，可能会造成停滞和反弹。

任何可能造成锯片夹住、束缚、缠绕或不齐的情况都会引发反弹。请参见**针对所有电锯的进一步安全指示**和**锯片**部分的内容，了解将出现反弹的几率降到最低的流程和技巧。

## 切割深度调节 (图 F-H)

1. 拉起深度调节转动杆 **25** 并松开。
2. 如需得到正确的切割深度，将深度调节带上的适当标记 **26** 与上锯片防护罩上的切口 **27** 对齐。
3. 拧紧深度调节转动杆。
4. 要进行最有效的切割，请使用尖端采用碳化物材质的锯片，同时设定切割深度，让大约1.5个锯齿能够切入等待切割的木材。
5. 检查正确切割深度的方法如图H所示。将一块您计划切割的材料靠着锯片摆放，如图所示，并观察有多少锯齿能够凸出材料表面。

调整深度调节转动杆 (图 G)

可能需要调整深度调节转动杆 **25**。它可能过段时间后会松开，如果没有拧紧，就会碰到底板。

### 拧紧转动杆

6. 握住深度调节转动杆 **25** 并松开防松螺母 **28**。
7. 沿着适当方向，将深度调节转动杆转动1/8圈，进行调整。
8. 重新拧紧螺母。

## 斜角调整 (图 A, I)

斜角调整机制 **9** 的调整范围是0°和57°。

如需进行更准确的切割，请使用转环 **29** 上的微调标记。

1. 拉起斜角调节转动杆 **8** 并松开。
2. 将斜角微调指针 **30** 与转环 **29** 上的理想角度标记对齐，让底板处于一个理想的角度。
3. 压下斜角调节转动杆并重新拧紧。

## 斜角制动器 (图 I)

DCS578和DCS579配有一个斜角制动器。当您倾斜底板时，就会听到“咔哒”一声，同时感觉底板在22.5°和45°都会停住。如果这两个角度中的某一个为理想角度，就压下转动杆 **8** 以将其重新拧紧。如果您希望得到另一个角度，请继续倾斜底板，直到粗放斜角指针 **31** 或微调指针 **30** 与理想的标记对齐。

## 切割长度指示器 (图 J)

底板 **11** 侧面的标记显示的是在完全切割深度下，将要切入材料中的沟槽长度。这些标记以5毫米为一个单位递增。

## 安装和调整平行挡板 (图 K)

平行挡板 **33** 被用来在切割时与工件边缘保持平行。

### 安装

1. 松开平行挡板把手 **32**，让平行挡板得以通过。
2. 如图所示，将平行挡板 **33** 插入底板平行挡板把手 **11**。
3. 拧紧平行挡板调整把手 **32**。

### 调整

1. 松开平行挡板把手 **32** 并将平行挡板 **33** 设定到理想的宽度。调节幅度可以通过平行挡板刻度来确定。
2. 拧紧平行挡板调整把手 **32**。

## 安装除尘接口 (图 A, F, L)

您的DCS578/DCS579圆锯配有一个除尘接口。

### 安装除尘接口

1. 完全松开深度调节转动杆 **25**。
2. 将底板 **11** 放在最低的位置。
3. 如图所示，将除尘接口 **34** 的左侧与上锯片防护罩 **15** 对齐。一定要将标签插入工具上的铸造切口。如果安装正确，它将完全按扣在切割指针的原始深度。
4. 将右侧部分与左侧对齐。
5. 插入螺栓并拧紧。

## 导轨系统 (图 M)

### DCS579

导轨属于附件，有不同的长度，可以让您用圆锯进行精准、果断的切割，同时还能保护工件表面不受损坏。如果与额外附件结合使用，那么可以借助导轨系统进行准确的角度切割、斜切和装配。

可以用夹子 **37** 将导轨 **35** 固定在工件 **36** 上 (图 M)。使用这些夹子 **37** 可确保导轨 **35** 被牢牢地固定在工件 **36** 上，可进行安全工作。一旦将导轨设定到切割线上并将其牢牢固定在工件上后，在切割过程中不会有移动。

**重要：**工具上的高度量尺是供在没有导轨的情况下使用电锯而设置的。如果在导轨上使用电锯，高度的差异大约是5毫米。

### 将圆锯设置到导轨 (图 A, N)

圆锯和导轨之间的间隙 (图 N **35**) 必须很小，以实现最佳的切割结果。间隙越小，工件上的直线切割效果就越好。

可以用两个导轨调节器 **19**, **20** (图 A) 在底座上为每个渠道设定间隙，以进行0°切割 **19** 和1-45°斜角切割 **20**。导轨调节器是精密凸轮，可以缩小工具和导轨之间的间隙。一旦完成了对这些调节器的设定，电锯在切割中的侧移会被限制在最小的程度，同时可以实现顺利的切割。

**注意：**调节器旨在将工厂中的间隙保持在最小程度，可能需要在使工具前先进行调整和设定。根据以下说明，为圆锯设置导轨。

**谨记：**为导轨设定圆锯上的导轨调节器。

1. 松开导轨调节器内的螺栓，对电锯和导轨之间进行调整。
2. 收回下防护罩并将其工具放在导轨上，确保锯片位于最高位置。
3. 转动调节器，直到电锯锁定在导轨上。  
**重要：**试图向前推动电锯，确保电锯被牢牢固定在导轨上。确保电锯不会移动。
4. 稍稍往回转动调节器，直到电锯能顺畅地在导轨上滑动为止。
5. 将导轨调节器固定住并再次拧紧螺栓。

**注意：**务必在与其他导轨搭配使用时调整系统。

设置导轨调节器，让用电锯在导轨上进行切割时，将侧面偏离程度降到最低。

使用电锯前，要将导轨上的碎片防护罩 **38** 归位。参见**转动碎片防护罩**。

## 转动碎片防护罩 (图 N)

导轨 **35** 配有碎片防护罩 **38**。在初次使用时,必须要对它进行调整。碎片防护罩 **38** 位于导轨的每条边上(图N)。碎片防护罩旨在为用户提供一个肉眼可见的切割线,减轻切割时沿着工件切割边缘的剥落情况。

**重要:务必**阅读并遵守**将圆锯设置到导轨上的内容**,然后再切割碎片防护罩!

## 调节碎片防护罩步骤 (图 O-R)

1. 将导轨 **35** 放在一块悬挂于工件之上,且长度不少于100毫米的木头 **39** 上(图O)。使用一个夹子来确保导轨被牢牢地固定在工件上。这能确保准确性。
2. 将工具的切割深度设为20毫米。
3. 将电锯的正面放在导轨的悬端,确保锯片位于轨道边缘的正面(图P)。
4. 打开电锯,在一次连贯的操作中,沿着整条轨道缓慢切割碎片防护罩。碎片防护罩的边缘与锯片的切割刃完全对应(图Q)。

如需调节导轨另一侧的碎片防护罩,请将电锯从导轨上拆下并将导轨转动180°。重复步骤1到4。

**注意:**如果需要,可以将碎片防护罩倾斜45°,然后重复步骤1到4。这样,轨道的一侧就可以进行平行切割,另一侧的轨道经过调整后可以进行45°斜角切割(图R)。

**注意:**如果调节碎片防护罩以进行双侧平行切割,那么当工具倾斜时,锯片不会触碰到碎片防护罩的边缘。这是因为工具斜角的枢轴点并非固定不动,同时在工具倾斜时,锯片也会移动过去。

## 切口指示器 (图 S-U)

电锯底座的正面有一个切口指示器 **41** 可用于垂直和斜角切割。该指示器能让您沿着等待切割的材料上画出的切割线进行切割。切口指示器与锯片左(外)侧对齐,这让移动锯片进行的滑槽或“切口”的切割落在指示器的右侧。沿着画出的切割线进行切割,让切口落在废弃物或剩余材料中。图T显示了相对于导轨而处于平行切割位置的电锯。图U显示了相对于导轨而处于斜角切割位置的电锯。

## 操作之前

- 确保已经正确安装防护罩。锯片防护罩必须处于关闭状态。
- 确保锯片顺着锯片上箭头的方向转动。
- 请勿使用过度磨损的锯片。

## 操作

### 使用说明

**警告:** 务必遵守安全指示和适用规定。

**警告:** 为降低严重的人身伤害风险,在进行任何调整或取出/安装附件或配件之前,请关闭工具并断开电池组连接。意外启动可能会导致人身伤害。

## 正确的双手放置位置 (图 V)

**警告:** 为了减低严重人身伤害的风险,请务必如图示那样正确放置双手。

**警告:** 为了减低造成严重人身伤害的风险,预期有突然反作用力时**务必**握紧。

正确的手部位置要求一只手握住副手柄 **3**,另一只手握住辅助手柄 **7**。

## LED工作灯 (图 A)

当按下扳机开关,LED工作灯 **10** 就会亮起。当松开扳机开关,工作灯会继续亮起20秒左右。

**注意:** 工作灯是用于照亮眼前的作业表面,不可将其用作手电。

## 启动与关闭 (图 A)

处于安全原因,您工具的扳机开关 **1** 上配有一个锁定按钮 **2**。按下锁定按钮,解锁工具。

要启动工具,请扣动扳机开关 **1**。一旦松开扳机开关,锁定开关就会被自动激活,防止意外启动机器。

**注意:** 当锯片接触工件或其他材料时,请勿打开“开”或“关”。

## 工件支持 (图 W-Z)

**警告:** 为降低严重人身伤害的风险,请为作业提供适当支持,并牢牢握住电锯,防止失控。

图W和Y显示了恰当的切割位置。图X和Z显示了不安全的情况。应该让双手远离切割。

为避免回弹,务必为靠近切割位置的板或嵌条提供支撑(图W和Y)。请勿为远离切割位置的板或嵌条提供支撑(图X,Z)。

务必先切断电池组的供电,然后再进行任何调整!将工件“好”的一面——外观最为重要的一面——朝下放置。由于电锯向上切割,因此任何碎片都会落在朝上的作业表面上。

## 切割 (图 Y)

**警告:** 不得将工具倒过来放在作业表面上,然后将材料放到工具上。务必牢固夹住工件,并用工具朝着材料切割,用双手牢牢握住工具,如图Y所示。

将电锯底板较宽的部分放在获得坚实支撑的工件区域,而不要放在切割时会掉落区域。作为示例,图Y展示了切割板材一端的正确方式。务必夹住工件。请勿尝试用手握住较短的工件!记住,要为悬臂式和悬挂式的材料提供支持。在从下往上切割材料时,要多加小心。确保电锯先达到全速运转的状态,然后再将锯片接触等待切割的材料。让锯片对着等待切割的材料,然后启动电锯,或将电锯向切口推进,这都会造成反弹。以一定的速度向前推动电锯,让锯片在切割时不会感到费力。即使是同一块材料,它的硬度和韧性也会有所变化。材料中有结节或潮湿的部分会让电锯面临较大的负荷。如果出现这种情况,请放缓推进电锯的速度,但也要保持足够的力度,不要让速度放缓太多。强行推动电锯会产生粗糙的切割效果,不准确,还会让电机过热。如果您的切割开始偏离切割线,请勿强行让它回归。松开开关,让锯片完全停止。然后拿回电锯,重新对准,并在原先偏离的地方中开始新的切割。在任何情况下,如果您必须更换切口位置,请先拿回电锯。强行在原有切割中进行纠正,会让电锯停滞并导致反弹。

如果电锯停滞,请松开扳机开关并拿回电锯,直到电锯松动位置。确保锯片沿直线切割,而且切割刃干净清洁,然后才能重启。

当您完成切割,请松开扳机,让锯片先停止,然后再讲电锯从作业中拿开。当您拿开电锯,弹簧处于紧绷状态的伸缩防护罩会在锯片下自动关闭。记住,直到完成这个动作前,锯片都是暴露在外的。不要因为任何理由将手伸到工件下方。如果您必须手动收回伸缩式防护罩(这是开始进行“盲切割”所必需的),务必使用收回转动杆。

**注意:** 如需切割薄条,应多加注意,确保小的切割碎屑不会挂在下防护罩的内部。

## 盲切割 (图 AA)



**警告:** 不得将锯片防护罩固定在拉起的位置。不得在进行“盲切割”时将锯片向后拉。这可能会让工具向上扬起, 离开作业表面, 从而造成受伤。

“盲切割”是在底板、墙面或其他平坦表面上进行的切割。

1. 调整电锯底板, 让锯片达到理想的切割深度。
2. 向前倾斜电锯, 并让底板的正面处于等待切割的材料上。
3. 用下防护罩转动杆, 将下锯片防护罩拉回到朝上的位置。将底板后部放低, 直到锯齿几乎触碰到切割线。
4. 松开锯片防护罩 (使它它与工件接触, 这能让您在开始切割时, 让电锯保持在原始位置并顺利开启)。将手从防护罩转动杆上拿开, 并牢牢握住辅助手柄 **7**, 如图AA所示。让您的身体和手臂摆好位置, 让自己能够抵御反弹 (如果发生)。
5. 确保在启动电锯前, 锯片不会与切割表面接触。
6. 启动电机, 并逐渐放低电锯, 直到底板处在等待切割的材料上。沿着切割线向前切割, 直到完成作业。
7. 松开扳机开关, 让锯片完全停止, 然后再让锯片离开材料。
8. 在开始进行新的切割时, 请重复以上步骤。

## 集尘器 (图 DD)



**警告:** 吸入粉尘的风险。为降低人身伤害的风险, 务必穿戴恰当的防尘面罩。

您的工具会随附集尘接口 **34**。

集尘接口能让您将工具连接到外部集尘器上, 或是使用AirLock™系统 (DWV9000-X), 或是标准的35毫米集尘器设备。



**警告:** 务必在切割木材时, 使用符合灰尘排放方面适用规定的真空集尘器。最常见的真空吸尘器的真空管能直接接到集尘器出口上。

## 橡钩 (图 A)

### (某些型号会随产品提供)



**警告:** 为降低严重人身伤害的风险, 请勿使用工具上的橡钩将其挂在您的身上。请勿在使用期间, 用橡钩将工具拴住或固定在人员或物体上。请勿将工具悬挂在头顶上方, 或将物件挂在橡钩上。



**警告:** 为降低圆锯落在操作人员或围观者身上而造成严重伤害的风险, 请确保在使用橡钩时, 工具已获得稳固的支持, 或是在不用工具时, 将其放在安全和稳定的地方。确保下方区域被清空, 降低工具或材料掉落并击中下方他人或物体的风险。

圆锯有一个方便实用的橡钩 **4**, 可以在两次使用间隙, 将其挂在一个适当、稳定的结构上。在使用期间, 请勿用橡钩将工具拴住或固定在人员或物体上。

## 维护

您的电动工具设计精良, 可以长期使用, 仅需极少维护。如需持续获得令人满意的工作效果, 应进行合适的工具维护和定期清洁。



**警告:** 为降低严重的人身伤害风险, 在进行任何调整或取出安装附件或配件之前, 请关闭工具并断开电池组连接。意外启动可能会导致人身伤害。

充电器和电池组无法维修。



## 润滑

工具中使用了自润滑球和滚珠轴承, 因此无需再次润滑。然而, 我们建议您每年将工具送至维修中心, 进行彻底的清洁、检查, 并润滑齿轮箱。



## 清洁



**警告:** 一旦看到通风口及其周围积聚了尘屑, 请用干燥的空气将灰尘和尘屑从主机外壳内吹出。执行此过程时, 需戴上经认可的护目装备和防尘面具。



**警告:** 请勿使用溶剂或其它刺激性化学制品来清洁工具的非金属部件。这些化学物质可能会削弱这些部位使用的材料。请用布蘸温和的肥皂水擦拭。切勿让任何液体渗入工具, 切勿让工具的任何部件浸在液体中。

## 下防护罩

下防护罩应该始终能够从完全打开到完全关闭之间自由转动和关闭。务必进行检查, 确保正确操作, 完全打开防护罩再将其关闭, 然后再开始切割。如果关闭防护罩时很慢, 或无法完全关闭, 就需要进行清洁和维修。请勿使用电锯, 直到它能正常运行为止。如需清洁防护罩, 请使用干燥的吹风或柔软的刷子来清除防护罩通道以及弹簧周围累积的锯末或碎片。如果这样还无法解决问题, 就要将工具送至授权的维修中心进行维修。

## 底板调整 (图 E, BB, CC)

您的底板已经在出厂时做好了设置, 可确保锯片与底板保持垂直。如果您在大量使用后, 需要重新对准锯片, 请按照以下说明进行:

### 进行调整, 实现90°切割

1. 将电锯恢复到0°斜角
2. 将电锯侧放并收回下防护罩。
3. 将切割深度设为51毫米
4. 松开斜角调节转动杆 **8**, 如图CC所示, 将正方形放在锯片和底板上。
5. 使用内六角扳手 (**24**, 图E), 转动底板下面的固定螺栓 **42**, 图BB), 直到锯片和底板都与正方形齐平接触。重新拧紧斜角调节转动杆。

### 调整斜角调节转动杆 (图 CC)

最好还要调整斜角调节转动杆 **8**。它可能过段时间后会松开, 如果没有拧紧, 就会碰到底板。

#### 拧紧转动杆

1. 握住斜角调节转动杆 **8** 并松开斜角斜角防松螺母 **40**。
2. 沿着适当方向, 将斜角调节转动杆转动1/8圈, 进行调整。
3. 重新拧紧螺母。

## 锯片

钝化的锯片会降低切割效率, 让电锯的电机过载, 产生过多的碎片, 还会增加反弹的可能性。如果无法在切割时轻松地向前推动电锯, 如果电机负担过重, 或锯片过热, 请更换锯片。准备好备用锯片, 随时可以更换锋利的锯片, 这是一种很好的做法。钝化锯片的大多数区域还是可以经过打磨而变得锋利的。

可以用煤油、松节油或炉灶清洁剂去除锯片上的硬化胶。在可能出现过度堆积情况的切割应用中，可以使用带有抗粘涂层的锯片，例如经过压力处理的环境和切割湿材。

## 可选配件



**警告：**除了 DeWALT 提供的附件之外，其他附件都未经此产品兼容性测试，若将此类附件与本工具一起使用将存在安全隐患。为降低人身伤害风险，本产品只可使用 DeWALT 推荐的附件。

请向您的经销商咨询更多关于合适附件的信息。

## 保护环境



分类回收。由此符号标记的产品和电池不得与普通家庭垃圾一起处理。

产品和电池组含可恢复或回收的材料，从而降低对原材料的需求。请根据当地供给回收电子产品和电池。要

获得更多信息，请参看 [www.2helpU.com](http://www.2helpU.com)。

## 充电式电池组

本电池组使用寿命长，但如果不能提供顺利完成工作所需的电力时，必须进行充电。电池技术寿命结束时，请妥善处理以保护环境：

- 耗尽电池组的电力，然后将其从工具上拆下。
- 锂离子电池是可回收的。请将它们送往您的经销商处或当地的回收站。回收的电池组将被妥善循环使用或处理。

## 售后服务和维修

DeWALT 服务中心拥有经过培训的人员，可为顾客提供高效而可靠的产品服务。如果您在未获授权的服务中心维修产品，我们不会承担任何责任。您可以参考产品包装中的“联系中心定位”宣传单页，通过热线电话、网站或社交媒体联系我们，找到距离您最近的 DeWALT 服务中心。

产品中有害物质的名称及含量						
部件名称	有害物质					
	铅 (Pb)	汞 (Hg)	镉 (Cd)	六价铬 (Cr <sup>6+</sup> )	多溴联苯 (PBB)	多溴二苯醚 (PBDE)
马达组件	○	○	○	○	○	○
机壳组件	○	○	○	○	○	○
控制部件 (开关, PCB等)	X	○	○	○	○	○
传动部件	○	○	○	○	○	○
电池包	X	○	○	○	○	○
充电器	X	○	○	○	○	○
附件 (钻头/砂轮片等)	○	○	○	○	○	○
电线组件	X	○	○	○	○	○

本表格依据SJ/T 11364的规定编制。

O: 标识该有害物质在该部位所有均质材料中的含量均在GB/T 26572规定的限量要求以下。

X: 标识该有害物质至少在该部位的某一均质材料中的含量超出GB/T 26572规定的限量要求。

备注: 本产品不必包含以上所述的所有部件。由于生产工艺和技术的不可替代性, 本产品中含有某些有害物质, 在环保使用期限内可以放心使用, 超过环保使用期限之后则应进入回收循环系统。

**制造商：** 百得美国公司

**地址：** 701 E Joppa Rd, TW050 MD21286, TOWSON, 美国

**产地：** 江苏苏州

# 190 mm 鋰電充電式圓鋸機

## DCS578, DCS579

### 恭喜!

感謝您選購DeWALT工具。憑藉多年的經驗、完善的產品開發與創新，DeWALT已成為專業電動工具使用者最可靠的合作夥伴之一。請注意！各地區上市產品/配件不盡相同，請依台灣繁體中文說明書的內容為主。

### 技術資料

		DCS578	DCS579
電壓	V <sub>DC</sub>	54(60 Max)	54(60 Max)
電池類型		鋰離子	鋰離子
空載轉速	/分	5800	5800
鋸片直徑	毫米	190	190
最大切割深度	毫米	67	61
鋸片孔	毫米	25.4	25.4
斜角調整		57	57
重量 (不含電池組)	千克	3.6	3.7

最大初始電池電壓 (在無工作負載的情況下測量) 為60V。標稱電壓為54V。

電池				充電器/充電時間 (分鐘)									
目錄號	伏特	安時	(kg)	DCB104	DCB107	DCB112	DCB113	DCB115	DCB116	DCB1112	DCB118	DCB132	DCB119
DCB546/DCB606	18/54 (20/60 Max)	6.0/2.0	1.05	60	270	170	140	90	80	40	60	90	X
DCB547/DCB609	18/54 (20/60 Max)	9.0/3.0	1.46	75*	420	270	220	135*	110*	60	75*	135*	X
DCB548/DCB612	18/54 (20/60 Max)	12.0/4.0	1.44	120	540	350	300	180	150	80	120	180	X

日期碼 2018114758 或以後

### 定義: 安全指南

以下定義描述了每一個詞彙的嚴重程度。請閱讀本手冊並注意這些符號。



**危險:** 表示緊急危險狀況，若未能避免，將導致**死亡**或**嚴重傷害**。



**警告:** 表示潛在危險情況，若未能避免，可能導致**死亡**或**嚴重傷害**。



**小心:** 表示潛在危險情況，若未能避免，可能導致**輕微**或**中度傷害**。

**注意:** 表示一種**非人身傷害**的行為，若未能避免，可能導致**財產損失**。



表示觸電危險。



表示火災危險。

### 電動工具一般安全警告



**警告!** 請閱讀安全警告及所有指示。不遵循下列的這些警告和指示可能會導致觸電、火災及/或嚴重傷害。

請保存所有警告與指示以備將來查閱。

以下列示所有警告中的術語「電動工具」是指電源驅動 (插電) 電動工具或電池驅動 (充電) 電動工具。

#### 1) 工作場地安全

- 請保持工作場地清潔明亮。混亂或黑暗的場地會引發事故。
- 請勿在易爆環境，如有易燃液體、氣體或粉塵的環境中操作電動工具。電動工具產生的火花可能會引燃粉塵或煙霧。
- 請等待兒童和旁觀者離開之後才操縱電動工具。分心會導致您疏於控制。

#### 2) 電氣安全

- 電動工具插頭必須與插座相符。切勿以任何方式改裝插頭。需接地的電動工具不能使用任何配接器插頭。使用未經改裝的插頭與相符的插座可降低觸電風險。
- 避免人體接觸接地表面，如管道、散熱片、爐灶和冰箱。若您的身體接地，會提高觸電的風險。
- 不得將電動工具暴露在雨中或潮濕環境中。水進入電動工具會提高觸電風險。
- 切勿濫用電線。請勿使用電線來搬運、拉動電動工具或拔出插頭。讓電線遠離熱、油、銳邊和活動部件。受損或纏繞的電線會增加觸電危險。
- 若要在戶外使用電動工具，請使用適合戶外使用的延長電線。採用適合室外使用的電線可降低觸電危險。
- 若必須在潮濕環境中操作電動工具，請使用受漏電保護器 (RCD) 保護的電源供應器。使用RCD可降低觸電風險。

#### 3) 人身安全

- 保持警覺；在操作電動工具時，請留意所執行的操作並按照一般的程式執行。請勿在疲倦或在受到毒品、酒精或藥品的



影響時使用電動工具。操作電動工具時，一時的注意力分散可能會導致嚴重人身傷害。

- b) 使用個人防護裝置。始終佩戴護目裝置。防護設備 (例如在適當條件下使用的防塵面具、防滑安全鞋、安全帽或聽力保護裝置) 可減少人身傷害。
- c) 避免意外啟動。連接電源及/或電池組、舉抬或搬運電動工具之前，請確定開關處於關閉位置。若搬運電動工具時將手指放在開關上，或者在電動工具開關開放時將插頭插入電源插座，這兩種行為都會引發事故。
- d) 啟動電動工具之前，請卸下所有的調整鑰匙或扳手。遺留在電動工具旋轉部件上的扳手或鑰匙會導致人身傷害。
- e) 不要過度伸張雙手。時刻注意腳下與身體的平衡。如此可在意外情況下更好地控制電動工具。
- f) 適當穿著。請勿穿寬鬆衣服或佩戴飾品。讓您的頭髮、衣服和手套遠離活動部件。寬鬆衣服、佩飾或長髮可能會捲入活動部件中。
- g) 若配備用於連接排屑裝置、集塵設備的裝置，請確定正確連接和使用這些裝置。使用集塵設備可減少與粉塵有關的危險。
- h) 請勿因頻繁使用而對工具特別熟悉，讓你變得自滿而忽略工具的安全原則。粗心操作可以在片刻間造成嚴重傷害。

#### 4) 電動工具的使用與注意事項

- a) 請勿超負荷使用電動工具。請根據您的應用使用正確的電動工具。若使用的電動工具正確無誤，該工具能以設計額定值更有效、更安全地執行工作。
- b) 若開關不能開啟或關閉電源，切勿使用該電動工具。若開關無法控制電動工具，則電動工具存在危險，必須予以維修。
- c) 在執行任何調整、更換配件或儲存工具之前，必須從電源上拔掉插頭及/或卸下電池組。此類防護性安全措施可降低電動工具意外啟動的風險。
- d) 將閒置的電動工具儲存在兒童無法接觸的地方，並且不要讓不熟悉電動工具或對這些使用指示不瞭解的人員操作電動工具。未經訓練的使用者操作電動工具會發生危險。
- e) 維護電動工具。檢查活動部件是否對準或卡住，是否存在任何破損情況，或任何能影響電動工具運行的其他情況。若有損毀，必須在使用之前修理電動工具。許多事故都是由於電動工具欠缺維護所導致。
- f) 保持切削工具鋒利和清潔。妥善維護、刀刃鋒利的刀具卡住的可能性更低，更易於控制。
- g) 使用電動工具、配件和工具刀頭等時，請遵循這些指示使用，且指示須包含工作環境和所要執行工作的注意事項。若使用電動工具執行與設計用途不相符的操作，會導致危險。
- h) 手柄和抓握表面都應保持乾燥、清潔及遠離油脂。光滑手柄和抓握表面不便在意外情況下對工具進行安全處理與控制。

#### 5) 電池工具的使用與注意事項

- a) 只能使用製造廠商指定的充電器為電池充電。使用僅適合一種電池組的充電器為其他類型的電池組充電會導致火災危險。
- b) 請使用原廠的電動工具電池組。使用其他非原廠的電池組會導致人身傷害和火災危險。
- c) 不使用電池組時，請將其遠離如紋紋釘、硬幣、鑰匙、釘子、螺絲以及其他可連通電池兩極的金屬物品。將電池兩極短路會導致灼傷或火災。

- d) 濫用電池的情況下，液體會從電池中噴出；避免與液體接觸。若不小心接觸液體，請用清水沖洗。若液體噴濺到眼睛上，沖洗之後還應進行治療。從電池噴出的液體會刺激皮膚或造成灼傷。
- e) 請勿使用已經損壞或改動的電池組或工具。損壞或改動的電池可能表現出不可預計的行為，導致火災、爆炸或傷害風險。
- f) 請勿讓電池組或工具暴露於火中或過高溫度的環境中。暴露於火中或溫度超過 130°C 的環境中可能導致爆炸。
- g) 請遵循所有充電說明，請勿在說明中規定的溫度範圍以外的環境對電池組或工具充電。不當或在指定範圍以外的溫度下充電，可能導致電池損壞並增加火災風險。

#### 6) 檢修

- a) 本電動工具必須由合格的維修人員並只採用相同的原廠零件來執行檢修。這將確保電動工具的安全性。
- b) 切勿維修損毀的電池組。電池組的維修應僅由製造商或授權服務提供商執行。

## 面向所有電鋸的安全指示

### 切割流程

- a) **▲ 危險：請讓雙手遠離切割區域和鋸片。另一只手始終握住輔助手柄或放在電機外殼上。如果雙手都握住電鋸，就不會被鋸片切到。**
- b) 請勿觸碰工件下方區域。防護罩無法在工件下方為您提供保護。
- c) 根據工件厚度，調整切割深度。在工件下方應該只能看到稍稍露出的鋸片鋸齒。
- d) 在切割時，不得用手握住工件，或將工件放在腿上。將工件固定在穩定的平臺上。應為作業提供恰當的支撐，讓身體暴露程度、鋸片纏繞或失控將到最低，這一點很重要。
- e) 當在切割附件有可能切割到暗線的場所進行操作時，要通過絕緣握持面來握住電動工具。切割附件碰到一根帶電導線可能會使電動工具的外露金屬零件帶電並使操作者發生觸電危險。
- f) 在切割時，務必使用鋸柵或直邊導軌。這能提高切割精度，並降低鋸片纏繞的幾率。
- g) 務必使用心軸孔大小和形狀 (金鑽石形 vs. 圓形) 都適合的鋸片。與電鋸安裝硬體不匹配的鋸片會偏離中心，造成失控。
- h) 不得使用受損或不正確的鋸片墊片或插銷。鋸片墊片和螺栓是專門針對您的電鋸而設計的，以實現最優性能，保證操作安全。

## 面向所有電鋸的進一步安全說明

### 造成反彈的原因和相關警告

- 反彈是對被夾住、纏繞或未能對齊的鋸片所做出的突然反應，這會造成電鋸失控而被拉起，離開工件並轉向操作人員。
- 當被切縫夾住或纏繞，鋸片就會停止；而由此產生的運動反應會讓工具迅速向操作人員回彈。
- 如果鋸片在切割中變得扭曲或未能對準，那麼鋸片後刃的鋸齒會紮入木材表面，讓鋸片爬出切縫並向操作人員回彈。

反彈是電動工具誤用和/或不正確操作工序或條件的結果，可以通過以下給出的適當預防措施得以避免。

- 雙手緊握電鋸，雙臂保持在正確位置，抵抗反彈力。讓自己站在鋸片的任何一側，但**不要**與鋸片處在同一條直線上。反彈會讓電鋸向後跳動，但如果操作人員採取適當的保護措施，則可以控制反彈力。
- 如果鋸片被卡住，或因任何原因導致切割終端，請鬆開扳機開關，並讓電鋸停留在材料中不要動，直到鋸片完全停止。決不要試圖在鋸片仍然運轉時讓電鋸離開作業環境或將電鋸往回拉，否則會發生反彈。調查並採取校正措施以消除鋸片卡住的原因。
- 當在工件中重啟電鋸時，要讓電鋸處在切縫的正中央，不要讓鋸齒卡在材料中。如果鋸片被纏住，可能會在電鋸重啟時向上走或從工件中反彈。
- 支撐住板材可使得鋸片卡住和反彈的危險降到最低。大型板材會憑藉自重而下垂。必須在板材下的兩側，靠近切割線以及板材邊緣處放置支撐。
- 請勿使用鈍化或受損的鋸片。不鋒利或設置不當的鋸片會形成狹窄的切縫，進而產生過大的摩擦，導致鋸片被束縛或反彈。
- 在開始切割前，務必確保鋸片的深度和斜角調整鎖定轉動桿是堅固的。如果在切割時，鋸片調整出現偏移，可能會造成束縛或反彈。
- 當切入現有的牆體或其他盲區時，要格外小心。伸出的鋸片可能會切到造成反彈的物體。

## 面向帶有鐘擺式鋸片防護罩的電鋸的安全指示

- 每次使用前，先檢查下防護罩，確保能正常關閉。如果下防護罩無法自由活動，不能順利關閉，那麼請勿使用該電鋸。不得用夾子或繩索將下防護罩固定在打開的位置。如果電鋸不慎掉落，會使下防護罩彎折。用伸縮手柄拉起下防護罩，確保它能自由活動，而且在任何角度和切割深度上，都不會觸碰到鋸片或任何其他部件。
- 檢查下防護罩彈簧的情況。如果防護罩和彈簧都無法正常活動，那麼必須在使用前先行維修。下防護罩可能會因為受損部件、黏性沉積物或累積的碎屑而活動緩慢。
- 只有在進行特種切割時，才能手動拉起下防護罩，例如“切入式切割”和“複合切割”。用伸縮手柄拉起下防護罩，而且在鋸片切入材料時，必須立即鬆開下防護罩。對於所有其他的切割，下防護罩應該自動運轉。
- 在將電鋸放在工作臺或地板上之前，務必注意，下防護罩要覆蓋鋸片。未受保護、向下滑行的鋸片會讓鋸片向後運行，並切割沿途上的任何物體。要注意鬆開開關後，鋸片停止轉動所需的時間。

## 面向圓鋸的附加安全說明

- 佩戴聽力保護器。暴露在雜訊環境中可能會造成聽力喪失。
- 佩戴防塵口罩。暴露在粉塵中可能會引起呼吸困難並可能導致受傷。
- 請勿使用大於或小於推薦直徑的鋸片。如需瞭解適當的鋸片額定值，請參見技術參數。僅使用手冊中規定的鋸片，遵守 EN847-1 的規定。
- 僅使用標記速度等於或高於工具上所標記的速度的鋸片。
- 避免鋸片尖端出現過熱。
- 使用前，在電鋸上安裝集塵接口。
- 不得使用帶有研磨性的切割砂輪。

- 請勿使用給水附件。
- 使用夾具或其他實用的方法，將工件固定、支撐到穩定的平臺上。手持或用身體頂住工件都是不穩定的，會導致操作失控。

## 剩餘風險

即使應用有關的安全規定並採用安全設備，仍然還有一些無法避免的剩餘風險。危險包括：

- 聽力受損。
- 飛散的顆粒引起的人身傷害風險。
- 操作過程中配件變熱引起的灼傷風險。
- 長時間使用引起的人身傷害風險。

### 請妥善保管好這些說明

## 充電器

DeWALT 充電器無需調節，專為盡可能輕鬆使用而設計。

### 電氣安全

電動馬達只適用一種電壓。請務必檢查電池組電壓是否與銘牌一致，並且確保充電器的電壓與電源電壓一致。



DeWALT 充電器符合 IEC60335 雙重絕緣要求，因此無需使用接地線。

如果電源線損壞，必須由 DeWALT 或授權的維修機構負責更換。

### 使用延長電纜

如非絕對必要，否則不要使用延長電線。請使用與充電器的輸入功率相匹配的認可延長電纜（請參閱技術資料）。導體的最小橫截面尺寸為 1 平方公釐，最長為 30 米。

使用電纜捲筒時，每次必須把電纜完全展開。

### 所有電池充電器之重要安全指示

請妥善保管好這些說明：本手冊包含重要的相容電池充電器安全和操作說明（請參閱技術資料）。

- 在使用充電器之前，請先閱讀所有指示以及充電器、電池組和使用電池組的產品上的警告標記。



**警告：**觸電危險。切勿讓任何液體進入充電器，否則可能會導致觸電。



**警告：**建議使用漏電流額定值不超過 30mA 的漏電流保護裝置。



**小心：**燒傷危險。為了減低受傷風險，只可以使用 DeWALT 可充電電池。其他非原廠電池可能會爆裂，導致人身傷害和損害。



**小心：**必須監督兒童，確保他們沒有耍弄器具。

**注意：**在某些情況下，充電器連接到電源後，充電器內暴露的充電觸頭會被異物導致短路。導電的異物，包括但不限於鋼絲絨、鋁箔紙或任何由金屬粒子組成的物件，必須要遠離充電器範圍。充電器裡沒有電池組時，一定要拔掉充電器的電源。請先拔掉電源插頭後再清潔充電器。

- 請勿嘗試使用本手冊未提到的充電器為電池組充電。充電器和電池組是專為搭配使用而特別設計。
- 除了為 DeWALT 可充電電池充電之外，這些充電器不可以用於其他用途。否則可能會導致火災、觸電或觸電致死。
- 請勿將充電器暴露在雨或雪中。
- 中斷充電器的電源時，請拔除插頭而非拉扯電線。這樣會減低電源插頭和電線損壞的風險。

- 請確保電線的位置不會遭踐踏、令人絆倒或容易受到其他方式的損壞或受傷。
- 除非絕對需要，否則請勿使用延長電線。使用不適當的延長電線會引起火災、觸電或觸電致死。
- 請勿將任何物件放在充電器上面，或是把充電器放在可能會堵住通風槽的柔軟表面，導致充電器的內部過熱。請將充電器放到遠離熱源的位置。充電器透過外殼頂部及底部的槽散熱。
- 請勿操作電線或插頭損壞的充電器，請立即予以更換。
- 如果充電器受到重擊、墜落或出現其他損壞情況，請勿使用充電器，並應拿到授權維修中心修理。
- 請勿自行拆卸充電器。需要維護或修理時，請拿到授權維修中心。重新組裝不當可能會導致觸電、觸電致死或火災。
- 若電源線損毀，必須由製造商、服務代理或同等資質的人員立即更換以避免發生危險。
- 在清潔之前，請將充電器的插頭從電源插座上拔掉，這樣可以減低觸電風險。拆除電池組並不能夠降低這種風險。切勿試圖將 2 個充電器連接在一起。
- 充電器是為標準 110 伏特的家用電源而設計。請勿試圖使用其他電壓。本規定不適用於車載充電器。

## 為電池充電 (圖 A)

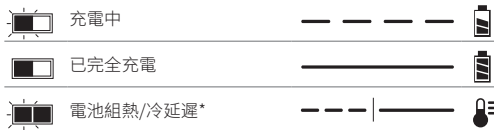
- 放入電池組前，先將充電器的插頭插入適當的插座。
- 將電池組 **16** 放進充電器，確保電池組已完全放入。紅燈 (充電中) 會不斷閃爍，這表示充電程序已經開始。
- 當紅燈持續亮起時，代表充電完成。此時，電池組的電力全滿，可以立即使用或是留在充電器裡。如需從充電器上取下電池組，請按下電池組上的電池釋放按鈕 **17**。

**注意：**為了確保鋰離子電池組的效能及使用壽命最大化，在第一次使用電池組之前必須完全充電。

## 充電器操作

如需瞭解電池組的充電狀態，請參閱以下指示燈。

### 充電狀態指示燈



\*紅燈會繼續閃爍，但在執行此操作期間黃色指示燈將亮起。電池組達到適當溫度後，黃色指示燈將熄滅，充電器將恢復充電程序。相容的充電器不會為有故障的電池組充電。充電器會透過不亮燈來表示電池組故障。

相容的充電器不會為有故障的電池組充電。充電器會透過不亮燈來表示電池組故障。

**注意：**亦有可能是充電器發生故障。

如果充電器指示故障，請將充電器和電池組拿到授權維修中心進行測試。

### 電池組熱/冷延遲

若充電器偵測到電池組過熱或過冷，會自動啟動電池組熱/冷延遲，在電池組達到適合的溫度之前暫停充電。然後，充電器會自動轉換到電池組充電模式。此功能可確保電池組的使用壽命最大化。

冷電池組的充電速度大約是暖電池組的一半。在整個充電週期，電池組會以較慢的充電速度進行充電，即使電池組變暖，充電速度亦不會回復至最大充電速度。

## 電子保護系統

XR 鋰離子工具的設計具有電子保護系統，可保護電池組，避免過載、過熱或深度放電。

如果電子保護系統啟動，本工具會自動關閉。如果出現此情況，請將鋰離子電池組放進充電器直到電力全滿。

## 牆面安裝

這些充電器經過精心設計，可以安裝在牆面上或立在工作臺或工作表面上。若採用牆面安裝，請將充電器安裝在電源插座連接範圍內的位置，並遠離角落或可能阻礙空氣流動的障礙。將充電器的背面用作在牆面上確定安裝螺絲位置的型板。使用長度至少 25.4 公釐、螺頭直徑為 7-9 公釐的牆用螺絲 (另售) 牢固安裝充電器，旋進木料的最佳深度為螺絲大約有 5.5 公釐長度露在木料外。將露出的螺絲與充電器背面的槽對齊，並完全接合到槽中。

## 充電器清潔指示

**警告：**觸電危險。在清潔之前，請將充電器的插頭從電源插座上拔掉。使用軟布或非金屬軟刷，去除充電器外部的污垢和油脂。切勿讓任何液體滲入工具，切勿讓工具的任何部件浸在液體中。

## 電池組

### 所有電池組之重要安全指示

在訂購更換電池組時，請務必附上目錄型號和電壓。

包裝箱內的電池組並未完全充電。使用電池組和充電器之前，請閱讀下列安全指示，然後遵循所述的充電程式。

### 請閱讀所有指示

- 不要在易爆環境，如有易燃液體、氣體或粉塵的環境中進行充電或使用電池組。將電池組放進充電器或從充電器中取出電池組可能會點燃粉塵或氣體。
- 切勿強行將電池組放進充電器。請勿以任何方式改裝電池組以在不相容的充電器中使用，否則電池組可能會破裂，導致嚴重人身傷害。
- 請僅使用指定的 DeWALT 充電器為電池充電。
- 請勿將水分或其他液體飛濺到電池組或將電池組浸沒。
- 請勿在溫度可能低於 4 °C (34 °F) (如冬天戶外的棚子或金屬建築物中)，或在溫度可能達到或超過 40 °C (104 °F) 的地方 (如夏天戶外的棚子或金屬建築物中) 存儲或使用工具和電池組。
- 即使電池組已嚴重損毀或磨損，也請勿焚燒電池組。電池組可能會在火中爆炸。焚燒鋰離子電池組時會產生有毒氣體和物料。
- 若電池液體接觸到皮膚，請立即以中性肥皂與清水沖洗接觸範圍。若電池液體進入眼睛，請睜開眼睛，用清水沖洗 15 分鐘或直到不適感消失為止。如果需要接受治療，電池的電解質由液化有機碳酸鹽和鋰鹽構成。
- 開啟的電池中的物質可能會導致刺激呼吸道。請轉移至空氣流通處。如果症狀持續，請尋求醫療救助。

**警告：**灼燒危險。電池液如遇到火花或火焰可能會引起燃燒。

**警告：**不論是因為任何理由，都不要嘗試打開電池。如果電池組的外殼破裂或損毀，請勿放進充電器。切勿撞擊、摔落或損毀電池組。切勿使用受到重擊、墜落或出現其他損壞情況的電池組或充電器 (例如釘子刺穿、以錘子敲打或踐踏)。否則可能會引起觸電或觸電致死。損毀的電池組應該送回維修中心進行回收。





**警告：火災危險。**請勿在儲存或搬運電池組時讓金屬物件接觸暴露的電池兩極。例如，不要將電池組放在帶有鬆動的釘子、螺絲、鑰匙等的地方。



**小心：不使用工具時，請將工具平放在沒有絆倒或跌落危險的穩定平面上。**一些配有大型電池組的工具可以直立但可能會輕易被撞到。

## 運輸



**警告：火災危險。**搬運電池時若電池兩極意外接觸導電材料。運輸個別電池組時，請確保電池兩級受到保護並與可能接觸兩級並導致短路的材料隔絕。

**注意：**鋰離子電池不應放在託運行李中。

DeWALT 電池符合行業和法律標準（包括聯合國危險貨物運輸建議書、國際航空運輸協會 (IATA) 危險物品處理規則、國際海運危險物品 (IMDG) 處理規則以及國際公路運送危險物品歐洲協議 (ADR) 規定的所有適用運輸規章。鋰離子電池和電池組均已根據《聯合國危險貨物運輸建議書測試與標準手冊》第 38.3 節的規定進行測試。大多數情況下，不會將運輸 DeWALT 電池組分歸為完全管制的第 9 類危險品。一般只有在運輸中包含額定能量大於 100 瓦時 (Wh) 的鋰離子電池時，才會將其分歸為完全管制的第 9 類危險品。所有鋰離子電池外殼上均標註有瓦時等級。此外，由於規章的複雜性，DeWALT 不建議對鋰離子電池組單獨採用空運，不論其額定能量是多少瓦時，都是如此。若電池組的額定能量不超過 100 瓦時，可以同時空運工具與電池組（組合套件）。

無論運輸是否納入完全管制範圍內，運輸方均有責任諮詢瞭解針對包裝、標籤/標記及單據要求的最新規定。手冊本節資訊基於良好商譽原則提供，在編製文件時被視為準確無誤，但不提供任何明示或暗示的保證。買方負有確保其行為遵守適用法規的責任。

## 運輸 FLEXVOLT™ 電池

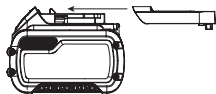
DeWALT FLEXVOLT™ 電池有兩種模式：**使用與運輸**。

**使用模式：**若 FLEXVOLT™ 電池單獨使用或在 DeWALT 18 伏特（最大 20 伏特）產品中使用時，將作為 18 伏（最大 20 伏特）特電池運作。若 FLEXVOLT™ 電池在 54 伏特（最大 60 伏特）或 108 伏特（最大 120 伏特）（兩個 54 伏特（最大 60 伏特）電池）產品中使用，將作為 54 伏特（最大 60 伏特）電池運作。

**運輸模式：**FLEXVOLT™ 電池附加護蓋時，電池將處於運輸模式。

若將電池組內的一連串電池中斷電氣連接，會導致 3 個電池各自的瓦時 (Wh) 額定值低於 1 個電池的瓦時額定值。這樣電池數量雖然增加到 3 個，但瓦時額定值更低，因此能避開針對較高瓦時電池的運輸規章。

例如，若運輸瓦時額定值為 3 x 36 瓦時，表示運輸 3 個電池，每個電池的額定值為 36 瓦時。使用瓦時額定值可能為 108 瓦時（表示 1 個電池）。



使用和運輸的標籤範例



## 儲存建議

- 乾燥、涼爽、太陽不會直接照射、不會過熱或過冷的地方是電池組的最佳存放地點。為達到最大效能和使用壽命，不使用電池時請以室溫儲存電池組。
- 如需長期儲存，建議將電力全滿的電池組從充電器卸下，儲存於涼爽、乾燥處，使電池組效能達到最佳。

**注意：**電池組不應在電力耗盡的情況下儲存。在使用之前，電池組必須再次充電。

## 充電器和電池組上的標籤

除了本手冊的圖示之外，充電器及電池組上的標籤包含以下圖示：



使用前請閱讀使用手冊。



充電時間請見**技術資料**。



切勿插入導電體。



切勿為損毀的電池組充電。



切勿暴露在水中。



立即更換損壞的電線。



只在溫度介於 4°C 至 40°C 之間充電。



僅供室內使用



棄置電池組時要顧及環保。

LI-ION



只使用指定的 DeWALT 充電器為 DeWALT 電池組充電。使用 DeWALT 充電器對指定的 DeWALT 電池以外的電池組充電會爆裂或導致其他危險情形。



切勿焚化電池組。



使用（無運輸電池蓋）。範例：瓦時額定值為 108 瓦時（具有 108 瓦時的 1 個電池）。



運輸（有內建運輸電池蓋）。範例：瓦時額定值為 3 x 36 瓦時（具有 36 瓦時的 3 個電池）。

## 電池類型

DCS578 和 DCS579 使用 54 (最大 60) 伏特電池組。

這些電池組可用於：DCB546, DCB547, DCB548, DCB606, DCB609, DCB612。更多資訊請見**技術資料**。

## 套裝內的物件

本套裝包括

- 圓鋸
- 鋸片扳手
- 平行柵欄
- 集塵接口
- 充電器（僅限於 X 型號）
- 鋰電池組 (C1, D1, L1, M1, P1, S1, T1, X1, Y1 型號)
- 鋰電池組 (C2, D2, L2, M2, P2, S2, T2, X2, Y2 型號)
- 鋰電池組 (C3, D3, L3, M3, P3, S3, T3, X3, Y3 型號)
- 使用手冊

**注意：**電池組、充電器和工具箱沒有隨N型號附送。電池組和充電器沒有隨NT型號附送。B型號包括Bluetooth®電池組。

**注意：**Bluetooth®標誌和徽標是註冊商標，歸Bluetooth®, SIG, Inc.所有，而且DeWALT對該標誌的任何使用均獲得許可。其他商標和商標名均歸各自所有者所有。

- 檢查集塵器、部件或附件是否在運輸過程中損壞。
- 操作前，請抽空仔細閱讀並掌握本手冊。

## 工具上的標誌

工具上會附帶下列圖示：



使用前請閱讀使用手冊。



請佩戴聽力保護器。



請佩戴護目鏡。



肉眼可見的輻射。請勿直視光照。

## 日期代碼位置 (圖 H)

日期代碼 **18** 包括製造年份，已經印刷在工具外殼上。

範例：

2020 XX XX

製造年份

## 說明 (圖 A, H)



**警告：**請勿改動本電動工具或其任何部件，否則可能導致損壞或人身傷害。

- 1 扳機開關
- 2 扳機開關鎖定按鈕
- 3 主要手柄
- 4 緣鉤 (某些型號會隨產品附送)
- 5 鋸片鎖
- 6 端帽
- 7 輔助手柄
- 8 斜角調整轉動桿
- 9 斜角調整機制
- 10 LED工作燈
- 11 底盤
- 12 下鋸片防護罩
- 13 鋸片夾緊螺栓
- 14 下防護罩轉動桿
- 15 下鋸片防護罩
- 16 電池組
- 17 電池釋放按鈕
- 18 日期碼位置 (圖H)
- 19 軌道調節器 (0°切割)
- 20 軌道調節器 (1-45°切割)
- 21 電量計按鈕 (在電池組上)

## 設計用途

這些重型圓鋸被設計用於專業木材切割。**請勿**用它們切割金屬、塑膠、混凝土、磚石結構或纖維水泥材料。**請勿**將給水附件與這款電鋸搭配使用。**請勿**使用研磨性砂輪或鋸片。**請勿**在潮濕環境中或在易燃液體或氣體存在的環境中使用本工具。

這些重型電鋸是專業的電動工具。

**請勿**讓兒童接觸本工具。缺乏經驗的操作員需要在監督下使用本工具。

- **幼童和體弱者。**幼童和體弱者不適合在無監督下使用本工具。
- 體力、感覺或智力不足，以及缺乏經驗、知識或技能的人員 (包括兒童) 不適合使用本產品，除非一旁有能為他們安全負責的監督人員。請勿讓兒童單獨接觸本工具。

## 裝配與調整



**警告：**為了減低造成嚴重人身傷害的風險，在進行任何調整或取出/安裝附件或配件之前，請關閉裝置。意外啟動工具可能會造成傷害。



**警告：**請僅使用 DeWALT 電池組與充電器。

## 插入或取出工具上的電池組 (圖 A)

**注意：**請確保您的電池組 **16** 完全充電。

### 將電池組安裝到工具手柄中

1. 將電池組 **16** 對齊工具手柄內的軌道 (圖 A)。
2. 將電池組滑入手柄內，使其牢牢地固定在工具內，並確保您聽到其鎖定到位的聲音。

### 從工具中取出電池組

1. 按下釋放按鈕 **17** 將電池組從工具握柄中穩妥地拉出。
2. 按本手冊充電器部分所述將電池組插入充電器中。

### 電池組電量計 (圖 A)

一些 DeWALT 電池組帶有一個包含三個綠色 LED 指示燈的電量計，用於指示電池組內的剩餘電量。

按下電量計按鈕不鬆開，即可啟動電量計 **21**。三個綠色 LED 指示燈將以組合方式亮起，以指示剩餘電量。當電池內的電量低於可用限制時，電量計將不會亮起，電池將需要重新充電。

**注意：**電量計僅指示電池組的剩餘電量。它並不表示該工具的功能，且將根據產品組件、溫度和最終用戶的使用情況而有所不同。

## 更換鋸片

### 更換鋸片 (圖 B-E)

1. 拆卸電池。
2. 使用下防護罩 **14**，拉起下鋸片防護罩 **12**，將鋸片放入電鋸主軸並抵住內側夾緊墊圈 **22**，確保鋸片朝著正確的方向轉動 (鋸片上的轉動箭頭方向和鋸齒必須與電鋸上的轉動方向一致)。請勿假設在正確安裝後，鋸片上的字樣始終會朝向自己。在拉起下防護罩安裝鋸片時，檢查其中的情形以及下防護罩的活動情況，確保它們運作正常。確保它能自由活動，而且在任何角度和切割深度上，都不會觸碰到鋸片或任何其他部件。
3. 將外部夾緊墊圈放在 **23** 電鋸主軸上，讓帶有斜面的一側朝外。確保夾子的鋸片側的25.4毫米直徑與鋸片上的25.4毫米孔洞吻合，確保鋸片位於中間位置。
4. 將鋸片夾緊螺栓 **13** 手動旋入電鋸主軸 (螺栓有右旋螺紋，必須順時針轉動才能擰緊)。

- 按下鋸片鎖 **5**，同時用放在電池倉下的鋸片扳手 **24** 轉動電鋸主軸，直到鋸片鎖鎖定，而且鋸片停止轉動為止。
- 用鋸片扳手擰緊鋸片夾緊螺栓。

**注意：**不得在電鋸仍在轉動時鎖定鋸片鎖，或試圖通過鎖定讓工具停止轉動。不得在鋸片鎖處於鎖定狀態時打開電鋸。這將嚴重損壞您的電鋸。

## 更換鋸片 (圖 B-E)

- 拆卸電池。
- 如需鬆開鋸片夾緊螺栓 **13**，按下鋸片鎖 **5** 並同時用放在電池倉下的鋸片扳手 **24** 轉動電鋸主軸，直到鋸片鎖鎖定，而且鋸片停止轉動為止。在鋸片鎖鎖定的情況下，用鋸片扳手逆時針方向轉動鋸片夾緊螺栓 (螺栓有右旋螺紋，必須逆時針轉動才能鬆開)。
- 取下鋸片夾緊螺栓 **13** 和外側夾緊墊圈 **23**。拆卸原來的鋸片。
- 清除防護罩中可能累積的任何鋸屑，同時根據之前說明的方法，檢查下鋸片防護罩的情況和運行狀態。請勿對該區域進行潤滑。
- 為應用選擇恰當的鋸片 (參見 **鋸片**)。務必為大小和形狀適當的中心孔選用正確尺寸 (直徑) 的鋸片，以便安裝在電鋸主軸上。務必確保鋸片上建議的最大速度 (rpm) 能達到或超過電鋸的速度 (rpm)。
- 按照 **安裝鋸片** 部分的步驟 1 到進行操作，確保鋸片的轉向正確。

## 下鋸片防護罩



**警告：**下方的鋸片防護罩能起到安全防護作用，降低造成嚴重人員受傷的風險。如果下防護罩缺失、損壞、安裝不當或無法正常運行，那麼不得使用電鋸。請勿在所有情況下都依賴下鋸片防護罩為您提供保護。您的安全取決於對所有警告的遵守情況，所採取的防護措施以及電鋸的運轉情況。每次使用前，先檢查下防護罩，確保能正常關閉。如果下防護罩缺失或無法正常運行，請先將電鋸送修，然後再使用。為保證產品的安全性和可靠性，它的維修、維護和調節均應由獲得授權的維修中心或其他具備資質的機構進行，務必使用相同的替換部件。

## 檢查下防護罩 (圖 A)

- 關閉工具並拔下電源線。
- 將下防護罩轉動桿 **14** 從完全關閉的位置轉到完全打開的位置。
- 釋放轉動桿，並讓防護罩 **12** 回歸到完全關閉的位置。
- 如果出現以下情況，應該由符合資質的維修中心來維修工具：
  - 未能回歸完全關閉的位置，
  - 移動不連貫或很緩慢，或
  - 在所有角度和切割深度上都與鋸片或工具的任何零部件有接觸。

## 鋸片



**警告：**為將眼睛受傷的風險降到最低，請務必佩戴護目鏡。碳化物是一種堅硬但易碎的材料。工件中的異物，例如電線或釘子，會讓尖端裂開或破損。只可在已安裝適當鋸片防護罩的情況下才能操作電鋸。先牢固安裝鋸片，使其轉動順暢，然後才能使用，務必使用清潔、鋒利的鋸片。



**警告：**請勿用該電鋸切割金屬、塑膠、混凝土、磚石結構或纖維水泥材料。

### 190 mm 直徑

應用	鋸齒
快速撕裂	18
撕裂	24
一般目的	40

### 184 mm 直徑

應用	鋸齒
撕裂	24
一般目的	36
完成	60

如果您在鋸片方面需要協助，請聯繫您當地的DeWALT經銷商。

## 反彈

反彈是鋸片在被夾住、纏繞或未對準的情況下出現的突然反應，這會讓失控的電鋸向上揚起，離開工件並朝操作人員彈去。當鋸片被封閉的切口夾住或纏繞，就會停滯，同時電機反應會迫使工具快速向操作人員回撤。如果在切割過程中，鋸片被纏繞或未能對齊，那麼鋸片後刃上的鋸齒會切入材料的上表面，讓鋸片爬出切口並朝著操作人員向後回彈。

如果存在以下任何情況，都很可能造成回彈。

### 1. 不當的工件支撐 (圖 X)

- 被切割下的部分下落或被不當的方式拉起，會造成鋸片被夾住，從而導致反彈 (圖 X)。
- 對在外端有支撐的材料進行切割只會引發反彈。隨著材料被越切越少，就會出現下垂，從而令切口封閉，夾住鋸片 (圖 X)。
- 自下而上，垂直切割用掛在懸臂上或被吊起的材料會引發反彈。被切割下的部分如果掉落會讓鋸片被夾住。
- 切下窄條會造成反彈。被切下的窄條會垂下或纏繞起來，封閉切口，夾住鋸片。
- 讓下防護罩掛在正被切割的材料下方的表面上，會削弱操作人員的控制。電鋸會稍稍向上揚起，增加鋸片被纏繞的可能。

### 2. 為電鋸設定了不當的切割深度 (圖 H)

如需讓切割最高效，應該讓鋸片伸出的足夠遠，直到讓鋸齒暴露出來，如圖 H 所示。這讓底座能夠為鋸片提供支持，將鋸片在材料中被纏繞和夾住的可能降到最低。請參見名為 **切割深度調節的部分**。

### 3. 鋸片纏繞 (在切割時未能對齊)

- 在切割時，用力向前推會造成鋸片被纏繞。
- 在切割時，試圖轉動電鋸 (試圖重新沿著標記線切割) 會讓鋸片纏繞。
- 身體多度前傾，或在操作電鋸時身體控制不到位 (失衡) 都會造成鋸片被纏繞。
- 在切割時，更換把手或身體姿勢會造成鋸片被纏繞。

### 4. 使用鈍化或有污垢的鋸片

鈍化的鋸片會增加巨大負荷。為彌補，操作人員通常會更用力地向前提，從而進一步加重電鋸的負擔，造成鋸片在切口中被纏繞。磨損的鋸片的一體間隙也不夠，這會增加被束縛的機率，同時加重負荷。

### 5. 在鋸齒卡在材料中的情況下重新開始切割

先讓電鋸達到全速運行的狀態，然後再開始切割，或是在電鋸因為鋸片被卡在切口中而停止後，先讓電鋸全速運行，然後再重啟。如果未能這樣操作，可能會造成停滯和反彈。

任何可能造成鋸片夾住、束縛、纏繞或不對齊的情況都會引發反彈。請參見**針對所有電鋸的進一步安全指示**和**鋸片**部分的內容，瞭解能將出現反彈的幾率降到最低的流程和技巧。

## 切割深度調節 (圖 F-H)

1. 拉起深度調節轉動桿 **25** 並松开。
2. 如需得到正確的切割深度，將深度調節帶上的適當標記 **26** 與上鋸片防護罩上的切口 **27** 對齊。
3. 擰緊深度調節轉動桿。
4. 要進行最有效的切割，請使用尖端採用碳化物材質的鋸片，同時設定切割深度，讓大約1.5個鋸齒能夠切入等待切割的木材。
5. 檢查正確切割深度的方法如圖H所示。將一塊您計畫切割的材料靠著鋸片擺放，如圖所示，並觀察有多少鋸齒能夠凸出材料表面。

### 調整深度調節轉動桿 (圖 G)

可能需要調整深度調節轉動桿 **25**。它可能過段時間後會鬆開，如果沒有擰緊，就會碰到底座。

### 擰緊轉動桿

6. 握住深度調節轉動桿 **25** 並鬆開防松螺母 **28**。
7. 沿著適當方向，將深度調節轉動桿轉動1/8圈，進行調整。
8. 重新拧紧螺母。

## 斜角調整 (圖 A, I)

斜角調整機制 **9** 的調整範圍是0°和57°。

如需進行更準確的切割，請使用轉環 **29** 上的微調標記。

1. 拉起斜角調節轉動桿 **8** 並鬆開。
2. 將斜角微調指針 **30** 與轉環 **29** 上的理想角度標記對齊，讓底板處於一個理想的角度。
3. 壓下斜角調節轉動桿並重新擰緊。

## 斜角制動器 (圖 I)

DCS578和DCS579配有一個斜角制動器。當您傾斜底板時，就會聽到“咔嚓”一聲，同時感覺底板在22.5°和45°都會停住。如果這兩個角度中的某一個為理想角度，就壓下轉動桿 **8** 以將其重新擰緊。如果您希望得到另一個角度，請繼續傾斜底板，直到粗放斜角指針 **31** 或微調指針 **30** 與理想的標記對齊。

## 切割長度指示器 (圖 J)

底座 **11** 側面的標記顯示的是在完全切割深度下，將要切入材料中的溝槽長度。這些標記以5毫米為一個單位遞增。

## 安裝和調整平行柵欄 (圖 K)

平行柵欄 **33** 被用來在切割時與工件邊緣保持平行。

### 安裝

1. 鬆開平行柵欄把手 **32**，讓平行柵欄得以通過。
2. 如圖所示，將平行柵欄 **33** 插入底板平行柵欄把手 **11**。
3. 擰緊平行柵欄調整把手 **32**。

### 調整

1. 鬆開平行柵欄把手 **32** 並將平行柵欄 **33** 設定到理想的寬度。調節幅度可以通過平行柵欄刻度來確定。
2. 擰緊平行柵欄調整把手 **32**。

## 安裝集塵接口 (圖 A, F, L)

您的DCS578/DCS579圓鋸配有一個集塵接口。

### 安裝集塵接口

1. 完全鬆開深度調節轉動桿 **25**。
2. 將底座 **11** 放在最低的位置。
3. 如圖所示，將集塵接口 **34** 的左側與上鋸片防護罩 **15** 對齊。一定要將標籤插入工具上的鑄造切口。如果安裝正確，它將完全扣按在切割指針的原始深度。
4. 將右側部分與左側對齊。
5. 插入螺栓並擰緊。

## 導軌系統 (圖 M)

### DCS579

導軌屬於附件，有不同的長度，可以讓您用圓鋸進行精準、果斷的切割，同時還能保護工件表面不受損壞。如果與額外附件結合使用，那麼可以借助導軌系統進行準確的角度切割、斜切和裝配。

可以用夾子 **37** 將導軌 **35** 固定在工件 **36** 上 (圖M)。使用這些夾子 **37** 可確保導軌 **35** 被牢牢地固定在工件 **36** 上，可進行安全作業。一旦將導軌設定到切割線上並將其牢牢固定在工件上後，在切割過程中不會有移動。

**重要：**工具上的高度量尺是供在沒有導軌的情況下使用電鋸而設置的。如果在導軌上使用電鋸，高度的差異大約是5毫米。

### 將圓鋸設置到導軌 (圖 A, N)

圓鋸和導軌之間的間隙 (圖N **35**) 必須很小，以實現最佳的切割結果。間隙越小，工件上的直線切割效果就越好。

可以用兩個導軌調節器 **19**、**20** (圖A) 在底座上為每個管道設定間隙，以進行0°切割 **19** 和1-45°斜角切割 **20**。導軌調節器是精密凸輪，可以縮小工具和導軌之間的間隙。一旦完成了對這些調節器的設定，電鋸在切割中的側移會被限制在最小的程度，同時可以實現順利的切割。

**注意：**調節器旨在將工廠中的間隙保持在最小程度，可能需要在使使用工具前先進行調整和設定。根據以下說明，為圓鋸設置導軌。

**謹記：**為導軌設定圓鋸上的導軌調節器。

1. 鬆開導軌調節器內的螺栓，對電鋸和導軌之間進行調整。
2. 收回下防護罩並將其工具放在導軌上，確保鋸片位於最高位置。
3. 轉動調節器，直到電鋸鎖定在導軌上。  
**重要：**試圖向前推動電鋸，確保電鋸被牢牢固定在導軌上。確保電鋸不會移動。
4. 稍稍往回轉動調節器，直到電鋸能順暢地在導軌上滑動為止。
5. 將導軌調節器固定住並再次擰緊螺栓。

**注意：**務必在與其他導軌搭配使用時調整系統。

設置導軌調節器，讓用電鋸在導軌上進行切割時，將側面偏離程度降到最低。

使用電鋸前，要將導軌上的碎片防護罩 **38** 歸位。參見**轉動碎片防護罩**。

### 轉動碎片防護罩 (圖 N)

導軌 **35** 配有碎片防護罩 **38**。在初次使用時，必須要對它進行調整。

碎片防護罩 **38** 位於導軌的每條邊上 (圖N)。碎片防護罩旨在為用戶提供一條肉眼可見的切割線，減輕切割時沿著工件切割邊緣的剝落情況。



**重要：**務必閱讀並遵守將**圓鋸設置到導軌**上的內容，然後再切割碎片防護罩！

## 調節碎片防護罩 (圖 0-R)

- 將導軌 **35** 放在一塊懸掛於工件之上，且長度不少於100毫米的木頭 **39** 上 (圖O)。使用一個夾子來確保導軌被牢牢地固定在工件上。這能確保準確性。
- 將工具的切割深度設為20毫米。
- 將電鋸的正面放在導軌的懸端，確保鋸片位於軌道邊緣的正面 (圖P)。
- 打開電鋸，在一次連貫的操作中，沿著整條軌道緩慢切割碎片防護罩。碎片防護罩的邊緣與鋸片的切割刀完全對應 (圖Q)。

如需調節導軌另一側的碎片防護罩，請將電鋸從導軌上拆下並將導軌轉動180°。重複步驟1到4。

**注意：**如果需要，可以將碎片防護罩傾斜45°，然後重複步驟1到4。這樣，軌道的一側就可以進行平行切割，另一側的軌道經過調整後可進行45°斜角切割 (圖R)。

**注意：**如果調節碎片防護罩以進行雙側平行切割，那麼當工具傾斜時，鋸片不會觸碰到碎片防護罩的邊緣。這是因為工具斜角的樞軸點並非固定不動，同時在工具傾斜時，鋸片也會移動過去。

## 切口指示器 (圖 S-U)

電鋸底座的正面有一個切口指示器 **41** 可用於垂直和斜角切割。該指示器能讓您沿著等待切割的材料上畫出的切割線進行切割。切口指示器與鋸片左 (外) 側對齊，這讓移動鋸片進行的滑槽或“切口”的切割落在指示器的右側。沿著畫出的切割線進行切割，讓切口落在廢棄物或剩餘材料中。圖T顯示了相對於導軌而處於平行切割位置的電鋸。圖U顯示了相對於導軌而處於斜角切割位置的電鋸。

## 操作之前

- 確保已經正確安裝防護罩。鋸片防護罩必須處於關閉狀態。
- 確保鋸片順著鋸片上前頭的方向轉動。
- 請勿使用過度磨損的鋸片。

## 操作

### 使用說明



**警告：**務必遵守安全指示和適用的規則。



**警告：**若要降低嚴重人身傷害的風險，請在運輸、進行調整、清潔、維修或卸下/安裝附件或配件之前，關閉工具並取出電池組或電源供應器。意外啟動工具可能會造成傷害。

## 正確的雙手放置位置 (圖 V)



**警告：**為降低遭受嚴重人身傷害的風險，務必如圖示那樣正確放置雙手。



**警告：**為了減低造成嚴重人身傷害的風險，預期有突然反應時務必握緊。

正確的手部位置要求一隻手握住副手柄 **3**，另一隻手握住輔助手柄 **7**。

## LED工作燈 (圖 A)

當按下扳機開關，LED工作燈 **10** 就會亮起。當鬆開扳機開關，工作燈會繼續亮起20秒左右。

**注意：**工作燈是用於照亮眼前的作業表面，不可將其用作手電筒。

## 啟動與關閉 (圖 A)

處於安全原因，您工具的扳機開關 **1** 上配有一個鎖定按鈕 **2**。

按下鎖定按鈕，解鎖工具。

要啟動工具，請扣動扳機開關 **1**。一旦鬆開扳機開關，鎖定開關就會被自動啟動，防止意外啟動機器。

**注意：**當鋸片接觸工件或其他材料時，請勿打開“開”或“關”。

## 工件支持 (圖 W-Z)



**警告：**為降低嚴重人身傷害的風險，請為作業提供適當支持，並牢牢握住電鋸，防止失控。

圖W和Y顯示了恰當的切割位置。圖X和Z顯示了不安全的狀況。應該讓雙手遠離切割。

為避免反彈，務必為靠近切割位置的板或嵌條提供支撐 (圖W和Y)。

請勿為遠離切割位置的板或嵌條提供支撐 (圖X, Z)。

務必先切斷電池組的供電，然後再進行任何調整！將工件“好”的一面——外觀最為重要的一面——朝下放置。由於電鋸向上切割，因此任何碎片都會落在朝上的作業表面上。

## 切割 (圖 Y)



**警告：**不得將工具倒過來放在作業表面上，然後將材料放到工具上。務必牢固夾住工件，並用工具朝著材料切割，用雙手牢牢握住工具，如圖Y所示。

將電鋸底板較寬的部分放在獲得堅實支撐的工件區域，而不要放在切割時會掉落的區域。作為示例，圖Y展示了切割板材一端的正確方式。務必夾住工件。請勿嘗試用手握住較短的工作！記住，要為懸臂式和懸掛式的材料提供支持。在從下往上切割材料時，要多加小心。確保電鋸先達到全速運轉的狀態，然後再將鋸片接觸等待切割的材料。讓鋸片對著等待切割的材料，然後啟動電鋸，或將電鋸向切口推進，這都會造成反彈。以一定的速度向前推動電鋸，讓鋸片在切割時不會感到費力。即使是同一塊材料，它的硬度和韌性也會有所變化。材料中有結節或潮濕的部分會讓電鋸面臨較大的負荷。如果出現這種情況，請放緩推進電鋸的速度，但也要保持足夠的力度，不要讓速度放緩太多。強行推動電鋸會產生粗糙的切割效果，不準確，反彈，還會讓電機過熱。如果您的切割開始偏離切割線，請勿強行讓它回歸。鬆開開關，讓鋸片完全停止。然後拿回電鋸，重新對準，並在原先偏離的地方中開始新的切割。在任何情況下，如果您必須更換切割位置，請先拿回電鋸。強行在原有切割中進行糾正，會讓電鋸停滯並導致反彈。

如果電鋸停滯，請鬆開扳機開關並拿回電鋸，直到電鋸鬆動位置。確保鋸片沿直線切割，而且切割刀乾淨清潔，然後才能重啟。

當您完成切割，請鬆開扳機，讓鋸片先停止，然後再講電鋸從作業中拿開。當您拿開電鋸，彈簧處於緊縮狀態的伸縮防護罩會在鋸片下自動關閉。記住，直到完成這個動作前，鋸片都是暴露在外的。不要因為任何理由將手伸到工件下方。如果您必須手動收回伸縮式防護罩 (這是開始進行“盲切割”所必要的)，務必使用收回轉動桿。

**注意：**如需切割薄條，應多加注意，確保小的切割碎屑不會掛在下防護罩的內部。


## 盲切割 (圖 AA)




**警告：**不得將鋸片防護罩固定在拉起的位置。不得在進行“盲切割”時將鋸片向後拉。這可能會讓工具向上揚起，離開作業表面，從而造成受傷。

“盲切割”是在底板、牆面或其他平坦表面上進行的切割。

- 調整電鋸底板，讓鋸片達到理想的切割深度。
- 向前傾斜電鋸，並讓底板的正面處於等待切割的材料上。


- 用下防護罩轉動桿，將下鋸片防護罩拉回到朝上的位置。將底板後部放低，直到鋸齒幾乎觸碰到切割線。
- 鬆開鋸片防護罩（使它與工件接觸，這能讓您在開始切割時，讓電鋸保持在原始位置並順利開啟）。將手從防護罩轉動桿上拿開，並牢牢握住輔助手柄 ，如圖AA所示。讓您的身體和手臂擺好位置，讓自己能夠抵禦反彈（如果發生）。
- 確保在啟動電鋸前，鋸片不會與切割表面接觸。
- 啟動電機，並逐漸放低電鋸，直到底板處在等待切割的材料上。沿著切割線向前切割，直到完成作業。
- 鬆開扳機開關，讓鋸片完全停止，然後再讓鋸片離開材料。
- 在開始進行新的切割時，請重複以上步驟。

## 集塵器 (圖 DD)

 **警告：**吸入粉塵的風險。為降低人身傷害的風險，**務必**穿戴恰當的防塵面罩。


您的工具會隨附集塵接口 **34**。


集塵接口能讓您將工具連接到外部集塵器上，或是使用AirLock™系統 (DWW9000-XI)，或是標準的35毫米集塵器設備。

 **警告：**務必在切割木材時，使用符合灰塵排放方面適用規定的真空集塵器。最常見的真空吸塵器的真空管能直接接到集塵器出口上。

## 橡鉤 (圖 A)

### (某些型號會隨產品提供)


 **警告：**為降低嚴重人身傷害的風險，請勿使用工具上的橡鉤將其掛在您的身上。請勿在使用期間，用橡鉤將工具拴住或固定在人員或物體上。請勿將工具懸吊在頭頂上方，或將物件掛在橡鉤上。

 **警告：**為降低圓鋸落在操作人員或圍觀者身上而造成嚴重傷害的風險，請確保在使用橡鉤時，工具已獲得穩固的支持，或是在不用工具時，將其放在安全和穩定的地方。確保下方區域被清空，降低工具或材料掉落並擊中下方他人或物體的風險。

圓鋸有一個方便實用的橡鉤 **4**，可以在兩次使用間隙，將其掛在一個適當、穩定的結構上。在使用期間，請勿用橡鉤將工具拴住或固定在人員或物體上。

## 維護

DeWALT 電動工具採用卓越的設計，能夠長時間使用，並且只需最少的維護。如需持續獲得滿意的操作效果，應進行正確的工具維護和定期的清潔。

 **警告：**為了減低造成嚴重人身傷害的風險，在進行任何調整或卸下或安裝附件或配件之前，切記關掉工具的電源並取出電池組。意外啟動工具可能會造成傷害。

充電器和電池組是不可檢修的裝置。





## 潤滑

工具中使用了自潤滑和滾珠軸承，因此無需再次潤滑。然而，我們建議您每年將工具送至維修中心，進行徹底的清潔、檢查，並潤滑齒輪箱。



## 清潔

 **警告：**一旦通風口及其周圍積聚可見的粉塵，請立即使用乾燥的壓縮空氣吹掉主機外殼內的粉塵和灰塵。執行此步驟時，請佩戴經認可的護目裝備和防塵面罩。

 **警告：**切勿使用溶劑或其他刺激性化學品來清潔工具的非金屬部件。這些化學品可能會削弱部件中使用的材料。只能使用抹布蘸中性肥皂水進行清潔。不要讓任何液體進入工具；不要讓工具的任何部分浸入液體中。

## 下防護罩

下防護罩應該始終能夠從完全打開到完全關閉之間自由轉動和關閉。務必進行檢查，確保正確操作，完全打開防護罩再將其關閉，然後再開始切割。如果關閉防護罩時很慢，或無法完全關閉，就需要進行清潔和維修。請勿使用電鋸，直到它能正常運行為止。如需清潔防護罩，請使用乾燥的吹風或柔軟的刷子來清除防護罩通道以及彈簧周圍累積的鋸末或碎片。如果這樣還無法解決問題，就要將工具送至授權的維修中心進行維修。

## 底盤調整 (圖 E, BB, CC)

您的底盤已經在出廠時做好了設置，可確保鋸片與底板保持垂直。如果您在大量使用後，需要重新對準鋸片，請按照以下說明進行：

### 進行調整，實現90°切割

- 將電鋸恢復到0°斜角
- 將電鋸側放並收回下防護罩。
- 將切割深度設為51毫米
- 鬆開斜角調節轉動桿 **(8)**，(圖CC) 如圖BB所示，將正方形放在鋸片和底板上。
- 使用內六角扳手 **(24)**，(圖E)，轉動底板下麵的固定螺栓 **42**，直到鋸片和底板都與正方形齊平接觸。重新擰緊斜角調節轉動桿。

## 調整斜角調節轉動桿 (圖 CC)

最好還要調整斜角調節轉動桿 **8**。它可能過段時間後會鬆開，如果沒有擰緊，就會碰到底盤。

### 擰緊轉動桿

- 握住斜角調節轉動桿 **8** 並鬆開斜角斜角防松螺母 **40**。
- 沿著適當方向，將斜角調節轉動桿轉動1/8圈，進行調整。
- 重新擰緊螺母。

## 鋸片

純化的鋸片會降低切割效率，讓電鋸的電機超載，產生過多的碎片，還會增加反彈的可能性。如果無法在切割時輕鬆地向前推動電鋸，如果電機負擔過重，或鋸片過熱，請更換鋸片。準備好備用鋸片，隨時可以更換鋒利的鋸片，這是一種很好的做法。純化鋸片的大多數區域還是可以經過打磨而變得鋒利的。

可以用煤油、松節油或爐灶清潔劑去除鋸片上的硬化膠。在可能出現過度堆積情況的切割應用中，可以使用帶有抗粘塗層的鋸片，例如經過壓力處理的環境和切割濕材。

## 選購配件



**警告：**由於非 DeWALT 所提供的配件未在本產品上進行過使用測試，在本產品上使用這些附件可能發生危險。為降低傷害危險，在本產品上只應使用 DeWALT 所推薦的配件。

如需進一步瞭解適用配件的相關資訊，請洽詢當地代理商。

## 保護環境



分類回收。帶有此標誌的產品和電池必須與一般家庭廢物分開處置。

產品和電池組含可重複使用或回收的材料，可降低對原材料的需求。請根據當地法規回收電氣產品和電池。更多資

訊，請造訪 [www.2helpU.com](http://www.2helpU.com)。

## 可充電電池組

本電池組使用壽命長，若無法為以前輕鬆完成的工作提供充足電力，必須更換電池組。在使用壽命結束時，請妥善處置以保護我們的環境：

- 使電池完全放電，然後將它從工具中卸下。
- 鋰離子電池是可回收的。請將它們送往您的代理商或當地的回收站。所收集的電池組將會再循環利用或妥善處置。

## 售後服務和維修

DeWALT 服務中心擁有經過培訓的人員，可為顧客提供高效而可靠的產品服務。如果您在未獲授權的服務中心維修產品，我們不會承擔任何責任。您可以參考產品包裝中的“聯繫中心定位”宣傳單頁，通過熱線電話、網站或社交媒體聯繫我們，找到距離您最近的 DeWALT 服務中心。

**進口商：**新加坡商百得電動工具(股)公司台灣分公司

**地址：**台北市士林區德行西路33號2樓

**電話：**02-28341741

**總經銷商：**永安實業股份有限公司

**地址：**新北市三重區新北大道二段137號

**電話：**02-29994633



# 184MM (7-1/4") 54V (60V MAX) 충전 원형톱

## DCS578, DCS579

### 축하합니다!

DeWALT 공구를 선택해 주셔서 감사합니다. DeWALT는 오랜 경험을 토대로 한 제품 개발 및 혁신을 통해 전문 사용자들이 가장 인정하는 기업으로 자리잡아왔습니다.

### 기술 데이터

		DCS578	DCS579
전압	V <sub>bc</sub>	54(60 Max)	54(60 Max)
배터리 유형		Li-Ion	리튬 이온
무부하 속도	min <sup>-1</sup>	5800	5800
블레이드 직경	mm	184	184
최대 절삭 깊이	mm	64	58
내경	mm	19	19
베벨 각도		57	57
무게(배터리 팩 제외)	kg	3.6	3.7

최대 초기 배터리 전압(워코로드없이 측정)은 60V입니다. 공칭 전압은 54V입니다.

배터리				충전기/충전 시간 (분)									
카탈로그 번호	V	Ah	(kg)	DCB104	DCB107	DCB112	DCB113	DCB115	DCB116	DCB117	DCB118	DCB132	DCB119
DCB546/DCB606	18/54 (20/60 Max)	6.0/2.0	1.05	60	270	170	140	90	80	40	60	90	X
DCB547/DCB609	18/54 (20/60 Max)	9.0/3.0	1.46	75*	420	270	220	135*	110*	60	75*	135*	X
DCB548/DCB612	18/54 (20/60 Max)	12.0/4.0	1.44	120	540	350	300	180	150	80	120	180	X

날짜 코드 2018114758 이상r

### 정의: 안전 지침

다음 정의는 각 경고 문구의 심각도를 설명합니다. 사용 설명서를 읽고 다음 기호들에 유의하십시오.



**위험:** 절박한 위험 상태를 나타내며, 방지하지 않으면, 사망 또는 심각한 부상을 초래합니다.



**경고:** 잠재적 위험 상태를 나타내며, 방지하지 않으면 사망 또는 심각한 부상을 초래할 수 있습니다.



**주의:** 잠재적으로 위험한 상태를 나타내며, 방지하지 않으면 경미하거나 가벼운 부상을 초래할 수 있습니다.

**참고:** 신체 부상을 초래하지 않는 행위를 나타내며 방지하지 않으면 재산상의 손해가 발생할 수 있습니다.



감전 위험을 나타냅니다.



화재 위험을 나타냅니다

### 전동 공구에 관한 일반 안전 경고



**경고:** 이 전동 공구와 함께 제공되는 모든 안전 경고와 지시사항, 설명 및 사양을 읽으십시오. 아래 설명한 모든 지시 사항을 따르지 않으면 감전, 화재 및/또는 심각한 부상을 초래할 수 있습니다.

**향후 참고할 수 있도록 모든 경고 및 지시 사항을 보관해두십시오.**

경고에서 사용된 "전동 공구"라는 용어는 주 공급 전원에 의해 전기가 공급되는(유선) 전동 공구 또는 충전식(무선) 전동 공구를 의미합니다.

### 1) 작업장 안전

- 작업장을 항상 청결하고 밝게 유지하십시오. 혼잡하거나 어두운 작업장에서는 사고가 발생하기 쉽습니다.
- 가연성 액체, 가스 또는 먼지 등이 있는 폭발성 대기에서 전동 공구를 사용하지 마십시오. 전동 공구에서 먼지나 가스를 발화시킬 수 있는 불꽃이 될 수 있습니다.
- 전동 공구로 작업하는 동안에는 어린이와 주변 사람들이 작업 영역에 가까이 들어오지 못하도록 하십시오. 주변이 산만해져 통제력을 잃을 수 있습니다.

### 2) 전기 안전

- 동공구의 플러그는 콘센트와 형식이 일치해야 하며, 플러그를 어떤 형태로든 개조하지 마십시오. 또한 접지된 전동공구에 다른 어댑터 플러그를 사용하지 마십시오. 개조되지 않은 플러그 및 형식이 일치하는 콘센트를 사용하면 감전 위험이 줄어듭니다.
- 파이프 판, 라디에이터, 팬지, 냉장고 등의 접지 표면에 물이 닿지 않도록 하십시오. 몸에 닿을 경우 감전이 될 위험이 높아집니다.
- 전동 공구를 비 또는 습한 환경에 노출하지 않도록 주의하십시오. 전동 공구에 물이 들어가면 감전 위험이 높아집니다.
- 코드를 함부로 다루지 마십시오. 코드를 사용하여 전동공구를 운반하거나, 코드를 과도하게 잡아당겨서 플러그를 뽑지 않도록 주의하십시오. 전열코드가 열기 또는 오일과 접촉되는 것을 피하고, 날카로운 모서리 또는 기기의

기동 부위에 닿지 않도록 주의 하십시오. 코드가 손상되거나 얽혀 있으면 감전 위험이 높아집니다.

- e) 전동 공구를 실외에서 사용할 때는 실외 사용에 적합한 연장 코드를 사용하십시오. 실외 사용에 적합한 코드를 사용하면 감전 위험이 줄어듭니다.
- f) 전동공구를 습한 공간에서 사용할 경우, 반드시 누전 차단기를 사용하십시오. 누전 차단기(RCD)를 사용하면 감전의 위험이 줄어듭니다. RCD를 사용하면 감전 위험이 줄어듭니다.

### 3) 신체 안전 사항

- a) 전동 공구로 작업할 때는 방심하지 말고 작업에 주의하면서 상식에 따르십시오. 피곤한 상태이거나 약물, 술, 치료제를 복용한 상태에서는 전동 공구를 사용하지 마십시오. 전동 공구를 사용하다 잠깐만 한 눈을 팔아도 심각한 부상을 당할 수 있습니다.
- b) 신체 보호 장비를 착용하십시오. 항상 보안경을 착용하십시오. 적합한 상황에서 방진 마스크, 미끄럼 방지 안전화, 안전모 또는 청력 보호 기구 등의 보호 장비를 사용하면 신체 부상 위험이 줄어듭니다.
- c) 의도하지 않은 장비 가동 방지. 전원 및/또는 배터리 팩에 연결한 상태로 공구를 선택 또는 운반할 때는 사전에 스위치가 꺼짐 위치에 있는지 반드시 확인하십시오. 스위치가 꺼짐 위치에 있는 상태에서 스위치가 손가락이 닿은 상태로 전동 공구를 운반하거나 전동 공구에 전원을 공급하면 사고가 발생합니다.
- d) 전동 공구를 켜기 전에 모든 조정 키 또는 렌치를 제거하십시오. 전동 공구의 회전 부품에 렌치나 키가 부착되어 있으면 부상을 당할 수 있습니다.
- e) 무리하게 팔을 뻗지 마십시오. 항상 올바른 자세로 서서 균형을 유지하십시오. 안정된 자세로 작업을 할 경우 전동 공구를 안전하게 사용할 수 있습니다.
- f) 절한 의복을 착용하십시오. 헐렁한 옷이나 장신구를 착용하지 마십시오. 머리카락과 옷이 움직이는 부품에 닿지 않도록 유의하십시오. 헐렁한 옷, 장신구 또는 긴 머리가 움직이는 부품에 걸 수 있습니다.
- g) 먼지 배출 및 집진 시설 연결을 위한 장치가 제공된 경우, 이를 장치가 연결되어 적절히 사용되고 있는지 반드시 확인하십시오. 집진 장치를 사용하면 먼지와 관련된 위험을 줄일 수 있습니다.
- h) 장치를 자주 사용함으로써 생긴 익숙함으로 인해 현실에 अनु주하거나 공구 안전 원칙을 무시하지 않도록 하십시오. 부주의한 작동은 순식간에 심각한 부상을 야기할 수 있습니다.

### 4) 전동 공구 사용 및 관리

- a) 전동 공구에 무리한 힘을 가하지 마십시오. 해당 용도에 맞는 올바른 전동 공구를 사용하십시오. 올바른 전동 공구를 사용해야 설계된 속도로 작업을 더욱 안전하고 정확하게 수행할 수 있습니다.
- b) 켜지지 않거나 꺼지지 않는 경우 전동 공구를 사용하지 마십시오. 스위치로 제어되지 않는 전동 공구는 위험하므로 수리해야 합니다.
- c) 전동 공구를 조정하거나 액세서리를 변경하거나 보관하기 전에 전동 공구에서 분리되는 경우 전원에서 플러그를 뽑거나 또는 배터리 팩을 분리하십시오. 이러한 예방적

안전 조치를 따라야 전동 공구가 갑자기 작동할 위험이 줄어듭니다.

- d) 사용하지 않는 전동 공구는 어린이의 손이 닿지 않는 곳에 보관하고, 전동 공구나 본 지시 사항에 익숙하지 않은 사람이 전동 공구를 절대 사용하지 못하게 하십시오. 전동 공구는 훈련을 받지 않은 사용자가 다루면 위험합니다.
- e) 전동 공구 및 액세서리 유지 보수. 움직이는 부품의 잘못된 정렬이나 바인딩, 부품 파손 및 기타 전동 공구의 작동에 영향을 미칠 수 있는 기타 모든 상태를 확인하십시오. 손상된 부분이 있는 경우 사용하기 전에 전동 공구를 수리하십시오. 많은 사고는 전동 공구를 제대로 유지 보수하지 않아 발생합니다.
- f) 공구를 깨끗한 상태로 유지하십시오. 절삭 가장자리를 예리하게 잘 유지하면 절삭기를 사용할 때 바인딩이 적고 다루기가 용이합니다.
- g) 작업 환경과 수행할 작업을 고려하여, 본 지시 사항에 따라 전동 공구, 액세서리 및 톨 비트 등을 사용하십시오. 본 사용 설명서의 내용과 다른 용도로 전동 공구를 사용하면 위험한 상황이 발생할 수 있습니다.
- h) 핸들과 잡는 표면은 건조하고 깨끗한 상태를 유지하고 오일/기름이 묻지 않도록 하십시오. 미끄러운 핸들과 잡는 면은 예기치 못한 상황에서 안전한 취급과 공구 관리를 보장하지 않습니다.

### 5) 배터리 공구 사용 및 주의 사항

- a) 다시 충전할 때는 제조업체에서 지정한 충전기만 사용하십시오. 하나의 배터리 팩 유형에 적합한 충전기를 다른 배터리 팩과 함께 사용할 경우 화재의 위험이 있습니다.
  - b) 전동 공구를 사용할 때는 구체적으로 지정되어 있는 배터리 팩만 사용하십시오. 다른 배터리 팩을 사용하면 부상을 입거나 화재의 위험이 있습니다.
  - c) 배터리 팩을 사용하지 않을 때에는 클립, 동전, 키, 못, 나사 등의 금속 물체나, 단자 간에 연결할 수 있는 작은 금속 물체가 닿지 않도록 멀리 두십시오. 배터리 단자가 단락되면 화상을 입거나 화재의 위험이 있습니다.
  - d) 배터리를 과다 사용하면 액체가 배터리에서 흘러 나올 수 있으므로, 접촉을 피하십시오. 실수로 접촉한 경우에는 물로 씻으십시오. 액체가 눈에 들어간 경우 치료를 받으십시오. 배터리에서 나온 액체는 통증을 유발하거나 화상을 입힐 수 있습니다.
  - e) 손상되거나 변경된 배터리 팩 또는 공구를 사용하지 마십시오. 손상되거나 개조된 배터리는 예측할 수 없는 작용을 보여, 화재, 폭발 또는 부상 위험을 야기할 수 있습니다.
  - f) 배터리 팩 또는 공구를 불이나 과도한 온도에 노출하지 마십시오. 불 또는 130 °C 이상의 온도에 노출되면 폭발할 수 있습니다.
  - g) 모든 충전 지침을 따르고 배터리 팩 또는 공구를 설명서에 지정된 범위 밖의 온도에서 충전하지 마십시오. 적절하지 않게 충전하거나 지정된 범위 밖의 온도에서 충전하면 배터리가 손상되어 화재 위험이 증가될 수 있습니다.
- ### 6) 정비
- a) 자격을 갖춘 기술자가 동일 교체 부품을 사용하여 정비 작업을 수행해야 합니다. 그래야 전동 공구의 안전이 보장됩니다.

- b) 손상된 배터리 팩을 정비하지 마십시오. 배터리 팩은 제조업체 또는 공인 서비스 공급업체를 통해서만 점검을 받아야 합니다.

## 모든 톱에 대한 안전 지침

### 절단 절차

- a) ▲ 위험 절단 영역과 날에서 손을 멀리하십시오. 보조 손잡이 또는 모터 하우징에 초침을 유지하십시오. 양손이 톱을 잡고 있으면 날로 절단할 수 없습니다.
- b) 공작물 아래에 닿지 않도록 하십시오. 가드는 공작물 아래의 날로부터 사용자를 보호할 수 없습니다.
- c) 절삭 깊이를 공작물의 두께에 맞게 조정하십시오. 블레이드 톱니의 전체 톱니 미만이 공작물 아래에 보아야 합니다.
- d) 절단 중에 손이나 다리를 가로 질러 작업 물을 잡지 마십시오. 공작물을 안정적인 플랫폼에 고정하십시오. 신체 노출, 날 바인딩 또는 통제력 상실을 최소화하기 위해 작업을 올바르게 지원하는 것이 중요합니다.
- e) 절삭 공구가 숨겨진 배선과 접촉할 수 있는 작업을 수행 할 때는 절연 그림 표면으로 전동 공구를 잡으십시오. "실제"와이어와 접촉하면 전동 공구의 금속 부분이 "실제"로 노출되어 작업자에게 감전될 수 있습니다.
- f) 추출할 때는 항상 립 펜스 또는 일자형 가이드를 사용하십시오. 이렇게 하면 절단 정확도가 향상되고 블레이드 바인딩 가능성이 줄어듭니다.
- g) 항상 정확한 크기와 모양 (다이아몬드 대 원형)의 아머 구멍이 있는 날을 사용하십시오. 톱의 장착 하드웨어와 맞지 않는 블레이드는 중앙에서 벗어나 작동을 제어할 수 없게 됩니다.
- h) 손상되었거나 잘못된 날 와서 또는 볼트를 사용하지 마십시오. 블레이드 와서와 볼트는 최적의 성능과 안전을 위해 톱에 맞게 특별히 설계되었습니다.

## 모든 톱에 대한 추가 안전 지침

### 반동 원인 및 관련 경고

- 킥백은 꼬이거나, 바운드되거나 잘못 정렬 된 톱날에 갑자기 적용되어 제어되지 않은 톱이 작업자를 향해 공작물을 들어 올려 들어올립니다.
- 커프가 닫힘으로써 날이 끼이거나 단단히 고정되면 날이 멈추고 모터 반응으로 인해 장치가 작업자쪽으로 빠르게 되돌아갑니다.
- 절단면에서 날이 비틀리거나 잘못 정렬되면 날의 뒤쪽 가장자리에 있는 톱니가 목재의 윗면을 파고 날이 커프에서 올라가 작업자쪽으로 튀어나올 수 있습니다.

반동은 톱 오용 및 / 또는 잘못된 작동 절차 또는 조건으로 일어질 수 있으며 아래에 제시된대로 적절한 예방 조치를 취하면 피할 수 있습니다.

- a) 양손으로 톱을 단단히 잡고 반동력에 저항하도록 팔을 위치 시키십시오. 몸을 일직선이 아닌 칼날 양쪽에 위치 시키십시오 블레이드. 기계 반동으로 인해 톱이 뒤로 뺄 수 있지만, 적절한 예방 조치를 취하면 작업자가 기계 반동력을 제어할 수 있습니다.
- b) 날이 재분될 때 또는 어떤 이유로든 절단을 중단할 때 트리거를 놓고 날이 완전히 멈출때까지 재료에서 톱을 움직이지 마십시오. 날이 움직이는 동안 톱을 작업 물에서 제거하거나 톱을 뒤로 당기지 마십시오. 반동이 발생할

- 수 있습니다. 블레이드 바인딩의 원인을 제거하기 위해 조사하고 수정 조치를 취하십시오
- c) 공작물에서 톱을 다시 시작할 때 톱날을 커프의 중앙에 놓고 톱니가 재료에 맞물리지 않았는지 확인하십시오. 톱날이 재분되면 톱이 다시 작동될 때 공작물에서 견히거나 반동할 수 있습니다.
- d) 큰 패널을 지지하여 날 끼임 및 기계 반동의 위험을 최소화하십시오. 큰 패널은 자체 무게로 처지는 경향이 있습니다. 지지선은 절단 선 근처와 패널 가장자리 근처의 양쪽 패널 아래에 배치해야 합니다.
- e) 둔하거나 손상된 날을 사용하지 마십시오. 날이 날카롭지 않거나 부적절하게 설정된 블레이드는 커프가 좁아 저 마찰, 블레이드 바인딩 및 반동이 심합니다.
- f) 절단하기 전에 날 깊이와 경사 조정 잠금 레버를 단단히 고정해야 합니다. 절단 중에 날 조정이 이동하면 바인딩 및 반동이 발생할 수 있습니다
- g) 기존 벽이나 다른 사각 지역을 절단 할 때는 특히 주의하십시오. 돌출 날이 기계 반동을 일으킬 수 있는 물체를 절단할 수 있습니다.

## 진자 블레이드 가드가 있는 톱에 대한 안전 지침

- a) 매번 사용하기 전에 하단 가드가 제대로 닫혀 있는지 확인하십시오. 하부 가드가 자유롭게 움직이지 않고 즉시 닫히지 않으면 톱을 작동하지 마십시오. 하부 가드를 열린 위치에 고정하거나 묶지 마십시오. 톱을 실수로 떨어 뜨리면 하부 가드가 구부러질 수 있습니다. 리트랙 링 핸들로 하부 가드를 올리고 자유롭게 움직이며 블레이드 또는 다른 부품을 모든 각도와 깊이로 닿지 않도록 하십시오.
- b) 하부 가드 스프링의 작동을 점검하십시오. 가드와 스프링이 제대로 작동하지 않으면 사용하기 전에 서비스를 받아야 합니다. 하부 가드는 손상 된 부품, 고무 같은 침전물 또는 잔해물로 인해 느리게 작동할 수 있습니다.
- c) "풀린 절단" 및 "복합 절단"과 같은 특수 절단에 대해서만 하부 보호대를 수동으로 수납할 수 있습니다. 리트랙 링 핸들로 하부 가드를 올리고 블레이드가 재료에 들어가 자마자 하부 가드를 해제해야 합니다. 다른 모든 톱질외의 경우 하부 가드가 자동으로 작동해야 합니다.
- d) 벤치 또는 바닥에 톱을 내려놓기 전에 항상 하부 가드가 닫혀 있고 있는지 확인하십시오. 보호되지 않은 코스팅 블레이드는 톱을 뒤로 걸으면서 경로에있는 모든 것을 자릅니다. 스위치를 해제한 후 날이 멈출 때까지 걸리는 시간에 유의하십시오.

## 원형 톱에 대한 추가 안전 지침

- 귀마개를 착용하십시오. 소음에 노출되면 청력이 손상될 수 있습니다.
- 방진 마스크를 착용하십시오. 먼지 입자에 노출되면 호흡 곤란 및 부상을 입을 수 있습니다.
- 권장 직경보다 크거나 작은 블레이드를 사용하지 마십시오. 적절한 블레이드 등급은 기술 데이터를 참조하십시오. EN847-1을 준수하시고 이 설명서에 지정된 블레이드 만 사용하십시오.
- 공구에 표시된 속도 이상의 속도로 표시된 톱날 만 사용하십시오.
- 날 끝의 과열을 피하십시오.

- **사용하기 전에 먼저 추출 포트를 틈에 설치하십시오.**
- **거친 절단 톨을 사용하지 마십시오.**
- **급수 장치를 사용하지 마십시오.**
- **클램프 또는 다른 실용적인 방법을 사용하여 공작물을 안정적인 플랫폼에 고정하고 지지하십시오.** 작업물을 손으로 또는 몸에 대면 불안정한 상태가되어 제어력을 잃을 수 있습니다.

## 기타 발생 가능한 위험

관련된 안전 규정을 준수하고 안전 장치를 사용한다고 해도 특정한 위험은 피할 수 없습니다. 이러한 위험은 다음과 같습니다.

- 정력 손상
- 파편 날림으로 인한 신체 부상 위험
- 작업 중 뜨거워지는 액세서리로 인한 화상 위험
- 장시간 사용으로 인한 신체 부상의 위험.

### 본 지침을 잘 보관해 두십시오

## 충전기

DeWALT 충전기는 어떠한 조절 작업도 필요 없으며 최대한 작동하기 쉽게 설계되었습니다.

### 전기 안전

전기 모터는 한 가지 전압에만 맞추어 설계되었습니다. 배터리 팩 전압이 명판에 기재된 전압과 일치하는지 항상 확인하십시오. 또한 충전기의 전압이 주전원의 전압과도 일치하는지 확인하십시오.



DeWALT 충전기는 IEC60335 에 따라 이중 절연되어 있습니다. 따라서 접지선이 필요하지 않습니다.

전원 코드가 손상된 경우 DeWALT 또는 공인 서비스 기관 만 교체해야 합니다.

### 연장 케이블 이용

연장 코드는 가끔씩 사용하지 마십시오. 사용 중인 전원공급기 정격전원에 맞는 승인된 연장 코드를 사용하십시오 (**기술 데이터** 참조). 최소 도체 크기는 1mm<sup>2</sup>. 최대 길이는 30m 입니다.

케이블 릴을 사용할 때는 항상 케이블을 완전히 푸십시오.

### 모든 배터리 충전기에 대한 중요한 안전 지침

**본 지침을 잘 보관해 두십시오.** 본 사용 설명서에는 호환이 되는 배터리 충전기에 대한 중요한 안전 및 작업 지침이 포함되어 있습니다 (**기술 데이터** 참조).

- 충전기를 사용하기 전에 충전기, 배터리 팩, 그리고 배터리 팩 관련 제품에 대한 지침과 주의 표시를 숙지하십시오



**경고:** 감전 위험. 충전기 내부에 액체가 들어가지 않도록 하십시오. 감전될 수 있습니다.



**경고:** 정격 전류 전류가 30mA 미만인 누전 차단기를 사용하는 것이 좋습니다.



**주의:** 화상 위험. 신체 부상의 위험을 줄이려면 DeWALT 충전용 배터리로만 충전하십시오. 다른 유형의 배터리는 폭발로 인한 신체 부상과 손상을 초래할 수 있습니다.



**주의:** 어린이가 본 제품을 가지고 놀지 못하도록 항상 주시해야 합니다.

**참고:** 특정 조건에서, 충전기가 전원 공급기에 연결되어 있으면 충전기 내부에 노출된 충전 접점이 이물질에 의해 단락될 수 있습니다. 철부스러기, 알루미늄 호일, 금속 입자 축적물 등의 전도성 이물질은 충전기 캐비트에 닿지 않게

해야 합니다. 캐비트 안에 배터리 팩이 없을 경우 항상 배터리 전원 공급기에서 충전기의 플러그를 뽑으십시오. 충전기를 청소할 때는 플러그를 뽑아야 합니다.

- **본 사용 설명서에 명시된 충전기 외의 다른 충전기로 배터리 팩을 충전하지 마십시오.** 본 충전기와 배터리 팩은 함께 사용하도록 특수 설계되었습니다.
- **이러한 충전기는 DeWALT 충전용 배터리 충전 이외의 용도로는 사용할 수 없습니다.** 다른 용도로 사용하면 화재, 감전 또는 감전사고의 위험이 있습니다.
- **충전기가 비나 눈을 맞지 않도록 하십시오.**
- **충전기를 분리할 경우 코드가 아니라 플러그를 뽑으십시오.** 그래야만 전기 플러그 및 코드 손상의 위험이 줄어듭니다.
- **코드가 밟히거나 걸리거나 기타 원인에 의해 손상되거나 압박을 받지 않도록 유의하십시오.**
- **불가피한 경우가 아니면 연장 코드를 사용하지 마십시오.** 연장 코드를 잘못 사용하면 화재, 감전 또는 감전사의 위험이 있습니다.
- **충전기 위에 물건을 올려놓거나 부드러운 표면에 충전기를 두면 환기 슬롯이 막혀 내부가 과열될 수 있습니다.** 충전기는 열원에 가까이 두지 마십시오. 충전기는 하우징의 상단과 하단에 있는 슬롯을 통해 환기됩니다.
- **코드나 플러그가 손상된 충전기를 작동시키지 마십시오 — 즉시 교체하십시오.**
- **심한 충격을 받았거나 떨어뜨렸거나 어떠한 식으로든 손상된 경우에는 충전기를 작동시키지 마십시오.** 공인 서비스 센터로 가져가십시오.
- **충전기를 분해하지 마십시오.** 서비스나 수리가 필요한 경우에는 **공인 서비스 센터로 가져가십시오.** 잘못 제조된 감전, 감전사 또는 화재의 위험이 있습니다.
- 전원 코드가 손상된 경우 사고 방지를 위해 제조업체, 서비스 대리점 또는 이에 준하는 유자격 수리 기술자를 통해 즉시 교체하십시오.
- **청소하려면 먼저 충전기를 콘센트에서 분리하십시오. 그해야 감전 위험이 줄어듭니다.** 배터리 팩을 제거하는 것만으로 이러한 위험이 줄어들지는 않습니다. **절대로** 충전기 두 개를 함께 연결하지 마십시오.
- **충전기는 가정용 표준 전력 220-240V 으로 작동하도록 설계되어 있습니다. 다른 전압에서는 사용하지 마십시오.** 차량용 충전기는 제외됩니다.

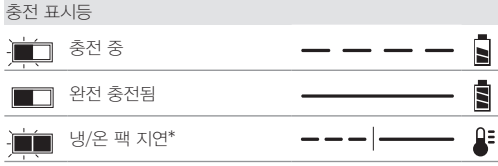
### 배터리 충전 (그림 A)

1. 배터리 팩을 끼우기 전에 충전기를 적절한 콘센트에 꽂습니다.
2. 충전기에 배터리 팩 **16** 을 끼우고 배터리 팩이 완벽히 장착되었는지 확인하십시오. 빨간색(충전 중) 표시등이 반복해서 깜박이면서 충전 프로세스가 시작되었음을 알립니다.
3. 충전이 완료되면 빨간색 불이 계속 켜져 있습니다. 배터리 팩이 완전히 충전되면 바로 사용하거나 충전기에 그대로 둡니다. 배터리 팩을 충전기에서 분리하려면, 배터리 팩에 있는 배터리 탈착 버튼 **17** 을 누릅니다.

**참고:** 리튬이온 배터리 팩의 성능과 수명을 극대화하려면 처음 사용하기 전에 배터리 팩을 완전히 충전시키십시오.

### 충전기 작동

배터리 팩의 충전 상태는 아래 표시등을 참조하십시오.



\*빨간색 표시등이 계속 깜박거리지만, 노란색 표시등은 이 작동동안 계속 켜져 있습니다. 배터리 팩이 적정 온도에 도달하면, 노란색 표시등이 꺼지고 충전기에서 충전 절차를 다시 시작합니다.

이 호환 충전기는 결함이 있는 배터리 팩은 충전하지 못합니다. 등이 켜지지 않도록 하여 배터리에 결함이 있음을 표시합니다.

참고: 이는 충전기 고장을 의미할 수도 있습니다.

충전기에 문제가 표시되는 경우 충전기와 배터리 팩을 공인 서비스 센터로 가져 가서 테스트를 받아 보십시오.

### 냉/온 팩 지연

충전기에서 너무 뜨겁거나 차가운 배터리 팩이 감지되면, 냉/온 팩 지연이 자동으로 시작되어 배터리 팩이 적절한 온도가 될 때까지 충전이 중단됩니다. 이 과정이 끝나면 충전기가 자동으로 팩 충전 속도로 전환됩니다. 이 기능은 배터리 팩 수명을 최대한으로 보장하기 위한 것입니다.

차가운 배터리 팩은 따뜻한 배터리 팩보다 더 느린 속도로 충전됩니다. 충전 사이클 전체에 걸쳐 배터리 팩은 이렇게 느린 속도로 충전되며 배터리 팩이 따뜻해지더라도 최대 충전 속도로 복원되지 않습니다.

DCB118충전기에는 배터리 팩을 식하기 위해 설계된 내장 팬이 장착되어 있습니다. 배터리 팩을 식하여 하연 팬이 자동으로 켜집니다. 팬이 제대로 작동하지 않거나 환기구가 막혀 있을 경우 충전기를 작동하지 마십시오. 이물질이 충전기 내부로 들어가지 않도록 하십시오.

### 전자 보호 시스템

XR 리튬이온 배터리 팩은 배터리에 과부하가 걸리거나 과열 또는 완전 방전되는 것을 방지하는 전자 보호 시스템으로 설계되었습니다. 이 공구는 전자 보호 시스템이 작동하면 자동으로 꺼집니다. 이러한 경우 리튬 이온 배터리가 완전히 충전될 때까지 충전기에 리튬 이온 배터리 팩을 넣으십시오.

### 벽 장착

이들 충전기는 테이블 또는 작업 표면에 똑바로 세우거나 벽에 장착할 수 있도록 설계되었습니다. 벽에 장착하는 경우, 충전기는 전기 콘센트에 닿을 수 있는 범위 내에 놓고, 공기 흐름이 방해될 수 있는 코너 또는 기타 장애물로부터 멀리 두십시오. 벽에서 장착 나사의 위치는 견본으로 충전기의 뒤쪽을 사용하십시오. 나사 머리 직경이 7~9mm인 최소 25.4mm 길이의 석고보드 나사(별도 구매)를 사용해서 충전기를 단단히 장착하고, 노출된 나사의 약 5.5mm를 남겨 두고 최적의 길이로 목재에 고정합니다. 충전기 뒤쪽의 구멍을 노출되어 있는 나사에 맞추고 구멍에 완전히 맞물리도록 하십시오.

### 충전기 청소 지침

경고: 감전 위험. 청소하려면 먼저 충전기를 AC 콘센트에서 분리하십시오. 헝겊이나 부드러운 비금속성 브러시로 충전기 외관 부분에 묻은 먼지 및 기름을 제거할 수 있습니다. 물이나 세척제를 사용하지 마십시오. 공구 내부에 액체를 넣거나 공구 부품을 액체에 담그는 행동은 절대 금물입니다.

## 배터리 팩

### 모든 배터리 팩에 대한 중요한 안전 지침

배터리 팩을 교체하기 위해 주운할 때는 카탈로그 번호와 전압을 반드시 확인하고 표기해야 합니다.

배터리 팩은 포장박스에서 꺼낼 때 완전히 충전된 상태가 아닙니다. 배터리 팩과 충전기를 사용하기 전에 아래 안전 지침을 숙독하십시오. 그런 다음 설명된 충전 절차를 따르십시오.

### 모든 지시 사항을 읽으십시오

- 가연성 액체, 가스 또는 먼지 등 폭발 위험이 있는 환경에서 배터리를 충전하거나 사용하지 마십시오. 배터리를 끼우거나 충전기에서 분리할 때 먼지나 가스에 불이 붙을 수 있습니다.
- 충전기에 배터리 팩을 끼울 때 과도한 힘을 주지 마십시오. 어떤 형태로든 호환되지 않는 충전기에 사용하기 위해 배터리 팩을 개조하지 마십시오. 배터리 팩이 파열되어 심각한 부상을 유발할 수 있습니다.
- DeWALT 충전기에서만 배터리 팩을 충전하십시오.
- 물이나 기타 액체가 튀어 묻거나 액체에 빠지지 않도록 하십시오.
- 온도가 4°C(34°F) 이하로 떨어지거나 (겨울의 금속 외벽 또는 금속 건물과 같은) 장소에서 공구와 배터리 팩을 보관하거나 사용하지 마십시오(40°C(104°F) (여름철 허름한 창고 또는 금속 건물 등).
- 배터리 팩이 심하게 손상되거나 완전히 낡았다더라도 절대 소각하지 마십시오. 배터리 팩은 불속에서 폭발할 수 있습니다. 리튬이온 배터리 팩은 연소되면서 독성 연기와 물질을 발생시킵니다.
- 배터리 내용물이 피부에 닿으면 즉시 중성 세척제로 해당 부위를 씻으십시오. 배터리액이 눈에 들어갔을 경우, 15분 정도 또는 통증이 가실 때까지 눈을 뜨고 물로 씻어냅니다. 치료가 필요한 경우를 위해, 배터리 전해질은 액체 유기 탄산염과 리튬염의 혼합물로 구성되어 있음을 알아 두십시오.
- 열린 배터리 셀의 내용물은 호흡기 질환을 일으킬 수 있습니다. 신선한 공기를 마십시오. 증상이 계속되면 치료를 받으십시오.

경고: 화재 위험. 배터리액은 불꽃이나 화염에 노출되면 연소될 수 있습니다.

경고: 어떤 이유로든 배터리 팩을 절대 분해하지 마십시오. 배터리 팩 케이스가 깨지거나 손상되면 충전기에 넣지 마십시오. 배터리 팩을 문개거나 떨어뜨리거나 손상시키지 마십시오. 강한 충격을 받았거나, 떨어뜨렸거나, 차에 치였거나 기타의 원인으로 어떤 방식으로든 손상된 (뭉치 박히거나 망치로 맞았거나 밟힌) 배터리 팩이나 충전기는 사용하지 마십시오. 감전 또는 감전사의 위험이 있습니다. 손상된 배터리 팩은 재활용을 위해 서비스 센터에 반환해야 합니다.

경고: 화재 위험. 배터리 팩을 보관하거나 휴대할 때는 노출된 배터리 단자에 금속 물체가 닿지 않도록 하십시오. 예를 들어, 못, 나사, 키 등이 있는 앞치마, 주머니, 도구상자, 제품 키트 상자, 서랍 등에 배터리 팩을 두지 마십시오.

주의: 사용하지 않는 공구는 걸려 넘어지거나 떨어질 위험이 없는 안정된 표면에 놓여 두십시오. 배터리 팩이 큰 일부 공구들은 배터리 팩 위에 바로 서 있지만 쉽게 넘어질 수 있습니다



운반



**경고: 화재 위험.** 배터리를 운반할 때 배터리 단자가 실수로 전도성 물질과 닿을 경우 화재 위험의 가능성이 있습니다. 배터리를 운반할 경우에는 배터리 단자가 보호되어 있고, 물체에 닿을 경우 단락을 일으킬 수 있는 물체로부터 제대로 절연되어 있는지 확인하십시오.

**참고:** 리튬이온 배터리는 검사된 수화물에 넣어야 합니다.

DeWALT 배터리는 UN 의 위험물 운송에 관한 권고(Recommendations on the Transport of Dangerous Goods, RTDG), 국제 항공 운송 협회(IATA) 의 위험물 규정, 국제해상위험물(International Maritime Dangerous Goods, IMDG) 규정 및 국제도로위험물품운송에 관한 유럽조약 (European Agreement Concerning The International Carriage of Dangerous Goods by Road (ADR))을 포함하여 산업 표준 및 법적 기준에 따라 해당되는 모든 운송 규정을 준수합니다. 리튬 이온 전지 및 배터리는 위험 화물 테스트 및 기준 설명서에 대한 UN 권고 38.3항에 따라 테스트되었습니다.

대개의 경우에, DeWALT 배터리 팩 해상 운송은 완전 규제를 받는 Class 9 위험 물질로 분류되는 것에서 제외됩니다. 일반적으로, 에너지효율 등급이 100 와트시 (Wh) 보다 큰 리튬 이온 배터리를 포함하는 수송품만 완전 규제를 받는 Class 9 에 따라 운송되어야 합니다. 모든 리튬 이온 배터리에는 팩에 와트시 등급이 표시되어 있습니다. 뿐만 아니라, 규정의 복잡성으로 인해 DeWALT는 와트 시 등급에 상관 없이 리튬 이온 배터리 팩을 단독으로 항공 운송하는 것을 권장하지 않습니다. 배터리 팩의 와트시 등급이 100 Whr 보다 크지 않을 경우는 제외되므로 배터리(콤보 키트)가 포함된 공구의 수송품은 항공 운송할 수 있습니다.

수송품이 예외로 고려되든지 또는 완전 규제를 받든지 여부와 상관 없이, 포장, 라벨링/표시 및 문서 요건에 관한 최신 규정을 찾아보는 것은 운송 회사의 책임입니다.

설명서의 본 섹션에서 제공하는 정보는 옳다고 믿고 제공되며 문서가 작성되었던 시기에는 정확한 것으로 간주됩니다. 단, 보증은 명시적이거나 함축적으로 제공되지 않습니다. 활동 시 해당 규정을 준수하는 것은 구매자의 책임입니다

FLEXVOLT™ 배터리 운반

DeWALT FLEXVOLT™ 배터리에는 두 개의 모드, 즉 **사용** 및 **운반**이 있습니다.

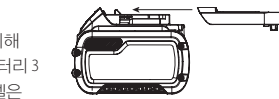
**사용 모드:** FLEXVOLT 배터리는 18V (20V Max) 제품에 체결 할 경우 18V (20V Max) 전압으로 작동되며, 54V (60V Max) 제품에 체결 할 경우 54V (60V Max) 전압으로 작동이 됩니다.

또는 108V (120V Max) 제품에 플렉스볼트 배터리 2 개를 체결 할 경우 108V (120V Max) 전압으로 작동이 됩니다.

**운반 모드:** 캡이 FLEXVOLT™ 배터리에 장착되어 있으면, 배터리는 운반 모드에 있는 것입니다. 운송 시 캡을 유지하십시오.

운반 모드에 있을 때, 더 높은 와트시 등급의 배터리1개에 비해 더 낮은 와트시(Wh) 등급의 배터리 3 개가 되는 팩 내에서 일련의 셀은 전기 연결이 끊어져 있습니다. 와트시 등급이 더 낮은 이 증가된 배터리 3 개 수량은 더 높은 와트시 배터리에 부과되는 특정 수송 규정에서 팩을 면제시킬 수 있습니다.

예를 들어, 운반 Wh 정격은 사용 및 운반 라벨 표시의 예 3 x 36 Wh를 나타내며, 각 36 Wh 배터리 3 개를



Use: 108 Wh  
Transport: 3x36 Wh

의미합니다. 사용 Wh 정격은 108 Wh를 나타낼 수 있습니다(1개 배터리 포함).

보관 권장 사항

- 1. 보관 장소로는 직사광선을 받지 않고 지나치게 덥거나 춥지 않은 시원하고 건조한 곳이 가장 좋습니다. 최적의 배터리 성능과 수명을 위해, 사용하지 않을 때에는 배터리 팩을 실온에서 보관하십시오.
- 2. 장기간 보관하는 경우, 최적의 결과를 위해 완전히 충전된 배터리 팩을 충전기에서 분리하여 서늘하고, 건조한 장소에 보관하는 것이 좋습니다.

**참고:** 배터리 팩은 완전히 방전된 상태로 보관해서는 안됩니다. 사용 전에 배터리 팩을 재충전해야 합니다.

충전기 및 배터리 팩에 부착된 라벨

본 설명서에 사용된 그림 외에도 충전기 및 배터리 팩에 부착된 라벨에는 다음과 같은 그림이 표시되어 있습니다.



사용 전에 사용 설명서의 내용을 숙지하십시오.



충전 시간은 **기술 데이터**를 참조하십시오.



전도성 있는 물체로 시험하지 마십시오.



손상된 배터리 팩을 충전하지 마십시오.



물에 닿지 않도록 하십시오.



손상된 코드는 즉시 교체하십시오.



4 °C ~ 40 °C 사이에서만 충전하십시오.



실내 전용.



환경 보호 차원에서 배터리 팩을 폐기하십시오.



지정된 DeWALT 충전기뿐만 DeWALT 배터리 팩을 충전하십시오. DeWALT 충전기에 지정된 DeWALT 배터리 이외의 배터리 팩을 충전하면 폭발하여 다른 위험한 상황으로 이어질 수 있습니다.



배터리 팩을 소각하지 마십시오.



사용(운반 캡 미포함). 예: Wh 정격은 108 Wh를 나타냅니다(108 Wh 배터리 1개).



운반(내장 운반 캡 포함). 예: Wh 정격은 3 x 36 Wh (36 Wh 배터리 3개)를 나타냅니다.

### 배터리 유형

DCS578 및 DCS579는 54 (60 Max)배터리 팩에서 작동합니다.

이러한 배터리 팩은 다음을 사용할 수 있습니다. DCB546, DCB547, DCB548, DCB606, DCB609, DCB612. 자세한 정보는 **기술 데이터**를 참조하십시오.

### 포장 내용물

포장에는 다음 내용이 들어 있습니다.

- 1 원형 톱
- 1 원형 톱날
- 1 블레이드 렌치
- 1 수평 펜스 (조기대)
- 1 집진 포트
- 1 충전기 (X 모델 만 해당)
- 1 리튬 이온 배터리 팩 (C1, D1, L1, M1, P1, S1, T1, X1, Y1 모델)
- 2 리튬 이온 배터리 팩 (C2, D2, L2, M2, P2, S2, T2, X2, Y2 모델)
- 3 리튬 이온 배터리 팩 (C3, D3, L3, M3, P3, S3, T3, X3, Y3 모델)
- 1 사용 설명서





**참고:** 배터리 팩, 충전기 및 공기박스는 N 모델에 포함되지 않습니다. 배터리 팩과 충전기는 NT 모델에 포함되지 않습니다. B 모델에는 Bluetooth® 배터리 팩이 포함됩니다.

**참고:** Bluetooth® 단어 마크 및 로고는 Bluetooth®, SIG, Inc.가 소유한 등록 상표이고 DeWALT는 허가 하에 그러한 모든 마크를 사용하고 있습니다. 기타 상표 및 상표명은 각 해당 소유주의 것입니다.

- 운반 중에 발생할 수 있는 공구, 부품 또는 액세서리의 손상 여부를 확인하십시오.
- 작동 전에 시간을 내어 본 사용 설명서를 읽고 숙지하십시오.

### 공구에 표시된 마크

공구에는 다음과 같은 그림이 있습니다.

-  사용 전에 사용 설명서의 내용을 숙지하십시오.
-  귀 보호 장구를 착용하십시오.
-  보안경을 착용하십시오.
-  가시 광선, 빛을 응시하지 마십시오.

### 날짜 코드 위 치 (그림 H)

날짜 코드에는 **18**, 제조년도가 포함되며 이 제조년도는 케이스에 인쇄되어 있습니다.

예:

2020 XX XX  
제조년도

### 설명 (그림 A, H)

**경고:** 전동 공구 또는 전동 공구의 어떤 부품도 절대 개조하지 마십시오. 제품이 파손되거나 신체 부상을 당할 수도 있습니다.

- 1 트리거 스위치
- 2 트리거 스위치 잠금 버튼
- 3 메인 핸들
- 4 레이퍼 후크 (일부 모델에 포함)
- 5 블레이드 록
- 6 엔드 캡
- 7 보조 손잡이
- 8 경사 조정 레버
- 9 경사각 조정 메커니즘
- 10 LED 작업 등
- 11 베이스 플레이트
- 12 하부 날 가드
- 13 블레이드 클램핑 스크류
- 14 하단 가드 레버
- 15 상단 블레이드 보호대
- 16 배터리 팩
- 17 배터리 분리 버튼
- 18 날짜 코드 (그림 H)
- 19 레일 조절기 (0° 절단)
- 20 레일 조절기 (1-45° 베벨 절단)
- 21 연료 게이지 버튼 (배터리 팩)

### 용도

이 헤비 듀티 원형 톱은 전문 목재 절단 용도로 설계되었습니다. 금속, 플라스틱, 콘크리트, 벽돌 또는 섬유 시멘트 재료를 자르지 마십시오. 이 톱에 급수 장치를 사용하지 **마십시오**. 연마 휠이나 블레이드를 사용하지 **마십시오**.

절대로 습한 환경이나 가연성 액체 또는 가스가 있는 곳에서 사용하지 **마십시오**.

이 헤비 듀티 톱은 전문 전문 공구입니다.

어린이가 이 공구를 만지지 **않도록 하십시오**. 경험이 없는 작업자가 이 공구를 사용할 때는 감독자의 지도가 필요합니다.

- **어린이 및 노약자.** 본 제품은 어린이나 노약자가 사용하도록 설계되지 않았습니다. 이러한 사람이 사용할 때는 감독이 필요합니다.
- 본 제품은 안전 책임을 맡고 있는 사람이 감독을 하고 있지 않는 한 경험, 지식 또는 기술이 부족하고 신체적, 감각적 또는 정신적 능력이 미약한 사람(어린이 포함)이 사용하도록 고안된 것이 아닙니다. 이 제품과 함께 어린이만 혼자 두어서는 안됩니다.

### 조립 및 조정

**경고:** 심각한 신체 부상의 위험을 줄이려면 공구를 정하거나 부속물 또는 액세서리를 제거/설치하기 전에 공구를 끄고 **배터리 팩을 분리하십시오**. 공구가 갑자기 작동하여 부상을 당할 수 있습니다.

**경고:** DeWALT 배 터리 팩과 충전기만 사용하십시오.

### 배터리 팩 삽입 및 공구에서 배터리 팩 분리 (그림 A)

**참고:** 배터리 팩 **16** 이 완전히 충전되었는지 확인하십시오.



## 배터리 팩을 공구 핸들에 설치하려면

1. 공구 핸들 인쪽의 레일에 배터리 팩 **16** 을 맞춥니다 (그림 A).
2. 공구에 배터리 팩이 견고하게 장착될 때까지 핸들에 밀어 넣고 딸깍하고 잠기는 소리가 들리는지 확인하십시오.

## 공구에서 배터리 팩을 분리하려면

1. 탈착 버튼 **17** 을 누르고 배터리 팩을 공구 핸들에서 완전히 빼냅니다.
2. 본 사용 설명서의 충전기 섹션에 설명된 대로 배터리 팩을 충전기에 삽입합니다.

## 잔량표시계 배터리 팩 (그림 A)

일부 DEWALT 배터리 팩에는 배터리 팩의 남아 있는 충전 레벨을 표시하는 세 개의 녹색 LED 등으로 구성된 연료계가 포함되어 있습니다.

잔량표시계를 작동시키려면, 잔량표시계 버튼 **21** 을 누릅니다. 녹색 LED 표시등 3 개가 조합되어 커짐으로써 충전 잔량 수준을 나타냅니다. 배터리 잔량이 사용 가능한 한계치 미만이면 배터리 잔량 표시계가 켜지지 않으므로 배터리를 재충전해야 합니다.

**참고:** 잔량표시계는 배터리 팩에 남아 있는 충전 레벨을 나타내는 것일 뿐입니다. 공구의 성능을 나타내는 것이 아니며 제품 구성품, 온도 및 최종 사용자의 용도에 따라 변경될 수 있습니다.

## 블레이드 교체

### 블레이드를 설치하는 방법 (그림 B-E)

1. 배터리를 제거하십시오.
2. 하부 가드 레버 **14** 를 사용하여 하부 블레이드 가드 **12** 를 후퇴시키고 블레이드를 내부 클램프 와셔 **22** 에 대해 톱 스피indle 상에 배치하여 블레이드가 회전하는지 확인하십시오. 올바른 방향(톱날과 톱니의 회전 화살표 방향은 톱의 회전 화살표와 같은 방향을 가리켜야 합니다). 올바르게 설치되면 블레이드의 인쇄가 항상 사용자를 향한다고 가정하지 마십시오. 블레이드를 설치하기 위해 하단 블레이드 가드를 접을 때 하단 블레이드 가드의 상태와 작동을 점검하여 올바르게 작동하는지 확인하십시오. 모든 각도와 절단 깊이에서 자유롭게 움직이며 날이나 다른 부품에 닿지 않도록 하십시오.
3. 경사진 모서리가 바깥 쪽을 향하게 하여 외부 스피indle 와셔 **23** 을 톱 스피indle에 놓습니다. 블레이드의 중심을 맞추기 위해 클램프 블레이드 측면의 직경 19mm가 톱날의 19mm 구멍에 맞는지 확인하십시오.
4. 블레이드 고정 나사 **13** 을 손으로 톱 스피indle에 끼우십시오 (나사는 오른쪽 나사산이 있으며 시계 방향으로 돌려 조여야 합니다).
5. 블레이드 잠금 장치가 맞물리고 블레이드가 회전을 멈출 때까지 배터리 실 아래에 저장된 블레이드 렌치 **24** 로 톱 스피indle을 돌리면서 블레이드 잠금 장치 **5** 를 누릅니다.
6. 블레이드 렌치로 날 클램핑 나사를 단단히 조입니다.

**주의:** 톱이 작동중일 때 블레이드 잠금 장치를 잠그거나 도구를 멈추려고 시도하지 마십시오. 블레이드 잠금 장치가 작동중일 때는 절대 톱을 켜지 마십시오. 톱이 심하게 손상될 수 있습니다.

### 블레이드를 교체하는 방법 (그림 B-E)

1. 배터리를 제거하십시오.
2. 블레이드 고정 나사 **13** 를 풀려면 블레이드 잠금 장치를 풀고 날이 회전을 멈출 때까지 블레이드 잠금 장치 **5** 를 누르고

배터리 실 아래에 저장된 블레이드 렌치 **24** 로 톱 스피indle을 돌리십시오. 블레이드 잠금 장치가 장착 된 상태에서 블레이드 렌치로 블레이드 클램핑 나사를 시계 반대 방향으로 돌리십시오 (나사에는 오른쪽 나사산이 있으며 시계 반대 방향으로 돌려 풀어야 합니다).

3. 블레이드 클램핑 나사 **13** 및 외부 클램프 와셔 **23** 을 제거합니다. 오래된 블레이드를 제거하십시오.
4. 가드 또는 클램프 와셔 영역에 축적 된 톱밥을 청소하고 이전에 설명한대로 하단 블레이드 가드의 상태와 작동을 점검하십시오. 이 부위에 윤활제를 바르지 마십시오.
5. 용도에 적합한 블레이드를 선택하십시오 (**블레이드** 참조). 항상 올바른 크기 (직경) 인 블레이드를 사용하십시오 톱 스피indle에 장착하기 위한 적절한 크기와 모양의 중앙 구멍이 있는 것. 톱날의 최대 권장 속도 (rpm)가 톱의 속도 (rpm)를 초과하거나 초과하지 않도록 항상 확인하십시오.
6. 블레이드 **설치 방법**에서 1 ~ 5 단계를 수행하여 블레이드가 올바른 방향으로 회전하는지 확인하십시오.

### 하부 블레이드 가드

**경고:** 하부 블레이드 보호대는 심각한 신체 부상의 위험을 줄이는 안전 기능입니다. 하부 가드가 없거나, 손상되었거나, 잘못 조립되었거나 제대로 작동하지 않으면 톱을 사용하지 마십시오. 모든 상황에서 하부 블레이드 보호대를 사용하여 사용자를 보호하지 마십시오. 귀하의 안전은 다음과 같은 톱의 올바른 작동뿐만 아니라 모든 경고 및 주의 사항에 달려 있습니다. 매번 사용하기 전에 하부 블레이드 보호대가 제대로 닫혀 있는지 확인하십시오. 하부 블레이드 보호대가 없거나 제대로 작동하지 않으면 사용하기 전에 톱을 수리하십시오. 제품의 안전과 신뢰성을 보장하기 위해 보수, 유지 보수 및 조정은 항상 동일한 교체 부품을 사용하여 공인 된 서비스 센터 또는 기타 자격을 갖춘 서비스 기관에서 수행해야 합니다.

### 하부 가드 점검 (그림 A)

1. 공구를 끄고 전원 공급 장치에서 분리하십시오.
2. 하부 가드 레버14를 완전히 닫힌 위치에서 완전히 열린 위치로 돌리십시오.
3. 레버를 풀고 가드12가 완전히 닫힌 위치로 되돌아오는 것을 확인하십시오.

다음과 같은 경우 자격을 갖춘 서비스 센터에서 공구를 수리해야 합니다.

- 완전히 닫힌 위치로 돌아가지 않는 경우
- 간헐적으로 또는 느리게 이동하거나
- 모든 각도와 절삭 깊이에서 날 또는 공구의 일부와 접촉하십시오.

### 블레이드

**경고:** 눈 부상의 위험을 최소화하려면 항상 눈 보호 장비를 사용하십시오. 초경은 단단하지만 부서지기 쉬운 재료입니다. 와이어나 손톱과 같은 공작물에 이물질이 있으면 틱이 깨지거나 부러질 수 있습니다. 적절한 톱날 가드가 제자리에 있을 때만 톱을 작동하십시오. 사용하기 전에 블레이드를 올바르게 회전시켜 단단히 장착하고 항상 깨끗하고 날카로운 블레이드를 사용하십시오.

**경고:** 이 톱으로 금속, 플라스틱, 콘크리트, 벽돌 또는 섬유 시멘트 재료를 자르지 마십시오.

**190 mm 직경**

애플리케이션	톱니
빠른 추출	18
추출	24
범용	40

**184 mm 직경**

애플리케이션	톱니
추출	24
범용	36
중요	60

블레이드와 관련하여 도움이 필요하면 가까운 DeWALT 대리점에 문의하십시오.

**반동**

반동은 조임, 바운드 또는 오정렬 된 톱날에 대한 갑작스런 반응으로 제어되지 않은 톱이 작업자쪽으로 공작물을 들어올려 들어옵니다. 커프가 닫히으로써 블레이드가 끼이거나 단단히 고정되면 블레이드가 멈추고 모터 반응으로 인해 장치가 작업자쪽으로 빠르게 돌아갑니다. 절단면에서 블레이드가 꼬이거나 잘못 정렬되면 블레이드의 뒤쪽 가장자리에 있는 톱니가 재료의 윗면을 파고 블레이드가 커프 밖으로 올라가 작업자쪽으로 튀어나올 수 있습니다.

반동은 다음 조건 중 하나라도 존재할 때 발생할 가능성이 높습니다.

**1. 부적절한 작업 지원 (그림 X)**

- 잘린 조각을 처치거나 부적절하게 들어 올리면 블레이드가 꼬이거나 반동이 일으킬 수 있습니다(그림 X).
- 바깥 쪽 끝에서 지지되는 재료를 절단하면 반동이 발생할 수 있습니다. 재료가 약 해짐에 따라, 처짐을 막고 블레이드를 끼웁니다(그림 X).
- 캔틸레버 또는 돌출 된 재료를 아래에서 위로 수직 방향으로 자르면 반동이 발생할 수 있습니다. 낙하 절단 편이 블레이드를 끼울 수 있습니다.
- 길고 좁은 스트림을 절단하면 반동이 발생할 수 있습니다. 컷 e. 오프 스트림은 커프를 닫고 블레이드를 끼울 수 있습니다. 절단중인 재료 아래의 표면에서 하부 가드를 잡아 당기면 작업자 제거가 줄어듭니다. 톱은 부분적으로 절단부에서 들어올려 날 비틀림 가능성을 높입니다.

**2. 톱날의 절단 길이 설정이 잘못되었습니다(그림 B)**

가장 효율적인 절단을 위해서는 블레이드가 그림 B와 같이 치이를 노출시킬 수 있을 정도로만 돌출되어야 합니다. 이렇게 하면 슈가 블레이드를 지지하고 재료의 비틀림과 꼬임을 최소화할 수 있습니다. **절입 깊이** 조정 섹션을 참조하십시오.

**3. 블레이드 비틀림 (절단 오류)**

- 더 세게 밀면 블레이드가 꼬일 수 있습니다.
- 절단 상태에서 톱을 돌리려고 하면(표시선 전으로 되돌아 가려고 하면) 블레이드가 꼬일 수 있습니다.
- 본체 상태에서 좋지 않은 상태 (벨트를 벗어남)로 톱을 넘어서거나 작동하면 블레이드가 꼬일 수 있습니다.
- 절단 중에 핸드 그림 또는 몸체 위치를 변경하면 블레이드가 비틀릴 수 있습니다.
- 톱을 클리어 블레이드에 백업하면 비틀림이 발생할 수 있습니다.

**4. 이중 또는 더러운 블레이드 사용**

둔한 블레이드는 톱의 부하를 증가시킵니다. 이를 보상하기 위해 작업자는 일반적으로 더 세게 밀면 장치에 더 많은 하중을 가하고 커프에서 블레이드의 비틀기를 촉진합니다. 마모 된 블레이드는 바디 클리어런스가 불충분하여 바이딩 가능성과 부하 증가를 증가시킬 수 있습니다.

**5. 재료에 흠집이 있는 블레이드로 절단 다시 시작**

절단을 시작하거나 커프의 블레이드로 장치를 정지한 후 절단을 다시 시작하기 전에 톱을 최대 작동 속도로 올려야 합니다. 그렇지 않으면 실속 및 반동이 발생할 수 있습니다.

블레이드의 끼임, 결속, 비틀림 또는 정렬 불량을 초래할 수 있는 다른 조건은 반동을 일으킬 수 있습니다. 기계 반동 발생을 최소화하는 절차와 기술은 **모든 톱과 블레이드에 대한 추가 안전 지침 섹션**을 참조하십시오.

**절단 깊이 조정 (그림 F-H)**

- 깊이 조정 레버 **25** 를 들어서 폼니다.
- 올바른 절단 깊이를 얻으려면 깊이 조정 스트랩 **26** 의 해당 표시를 상단 블레이드 가드의 노치 **27** 에 맞춥니다.
- 깊이 조정 레버를 조입니다.
- 초경 튼 톱날을 사용하는 가장 효율적인 절단 작업을 위해, 톱니의 약 절반이 절단 될 목재 표면 아래로 돌출되도록 깊이 조정을 설정하십시오.
- 올바른 절단 깊이를 확인하는 방법이 그림 H에 나와 있습니다. 그림 H와 같이 블레이드 측면을 따라 절단하려는 재료 조각을 놓고 재료보다 톱출 된 치아의 양을 관찰하십시오.

**깊이 조정 레버 조정 (그림 G)**

깊이 조절 레버25를 조절하는 것이 바람직할 수 있습니다. 조이기 전에 적시에 폴딩 베이스 플레이트에 부딪힐 수 있습니다.

**레버를 조이려면**

- 깊이 조정 레버 **25** 를 잡고 잠금 너트 **28** 을 푸십시오.
- 깊이 조정 레버를 원하는 방향으로 약 1/8 회전하여 회전시켜 조정하십시오.
- 너트를 다시 조입니다.

**베벨각 조정 (그림 A, I)**

경사각 조정기구 **9** 는 0°와 57° 사이에서 조정될 수 있습니다.

절단 정확도를 높이려면 피벗 브래킷 **29** 에 있는 미세 조정 표시를 사용하십시오.

- 베벨 조정 레버 **8** 을 들어서 폼니다.
- 미세 베벨 포인터 **30** 를 피벗 브래킷 **29** 상의 원하는 각도 마크에 정렬함으로써 베이스 플레이트를 원하는 각도로 기울입니다.
- 베벨 조정 레버를 내려서 다시 조입니다.

**베벨 멈춤 쇠 (그림 J)**

DCS578 및 DCS579에는 경사 멈춤 쇠 기능이 있습니다. 받침판을 기울이면 딸깍 소리가 나고 받침판이 22.5도 및 45도에서 멈추는 것을 느낄 수 있습니다. 이 중 하나가 원하는 각도이면 레버 **8** 을 내려서 다시 조입니다. 다른 각도를 원할 경우, 거친 경사 포인터 **31** 또는 미세 포인터 **30** 가 원하는 마크와 정렬 될 때까지 베이스 플레이트를 계속 기울입니다.

## 절단 길이 표시기(그림 J)

베이스 플레이트 **11** 측면의 표시는 절단 길이 전체에서 재료로 절단되는 슬롯의 길이를 나타냅니다. 마킹은 5mm 씩 증가합니다.

## 수평 펜스 (조기대) 장착 및 조정 (그림 K)

수평 펜스 **33** 는 가공물의 예지에 평행하게 절단하는데 사용됩니다.

### 설치

1. 수평 펜스 조정 노브 **32** 를 풀면 수평 펜스가 통과합니다.
2. 수평 펜스 **33** 를 도시 된 바와 같이 베이스 플레이트 **11** 에 삽입합니다.
3. 수평 펜스 조절 노브 **32** 를 조입니다.

### 조정

1. 펜스 조정 노브 **32** 를 풀고 수평 펜스 **33** 를 원하는 폭으로 설정하십시오. 수평 펜스 스케일에서 조정 내용을 읽을 수 있습니다.
2. 펜스 조절 노브 **32** 를 조입니다.

## 집진 포트 장착 (그림 A, F, L)

DCS578 / DCS579 원형 톱에는 집진 포트가 제공됩니다.

### 집진 포트를 설치하려면

1. 깊이 조절 레버 **25** 를 완전히 풀니다.
2. 베이스 플레이트 **11** 을 가장 낮은 위치에 놓습니다.
3. 집진 포트 **34** 의 왼쪽 절반을 그림과 같이 상단 날 가이드 **15** 에 맞춥니다. 공구의 주조 노치에 탭을 삽입하십시오. 올바르게 설치하면 원래의 절단 길이 포인터 위로 완전히 고정됩니다.
4. 오른쪽 조각을 왼쪽에 맞춥니다.
5. 나사를 끼우고 단단히 조입니다.

## 가이드 레일 시스템 (그림 M)

### DCS579

액세서리로 다양한 길이로 제공되는 가이드 레일을 사용하면 원형 톱을 사용하여 정확하고 똑바로 깨끗하게 절단할 수 있으며 동시에 공작물 표면의 손상을 방지할 수 있습니다. 추가 액세서리와 함께 가이드 앵글 시스템으로 정확한 앵글 컷, 마이터 컷 및 피팅 작업을 완료 할 수 있습니다.

클램프 **37** 는 가이드 레일 **35** 을 가공물 **36** 에 고정시키기 위해 이용 가능합니다(그림 M). 이들 클램프 **37** 의 사용은 안전한 작업을 위해 가이드 레일 **35** 이 공작물 **36** 에 단단히 부착되도록 합니다. 가이드 레일이 절단 선으로 설정되고 공작물에 단단히 고정되면 절단 중에 움직임이 없습니다.

중요한 정보: 장치의 높이 스케일은 가이드 레일없이 톱을 사용하도록 설정되었습니다. 가이드 레일에서 톱을 사용할 때 높이 차이는 약 5.0mm입니다.

### 원형 톱을 가이드 레일에 설정(그림 A, N)

최적의 절단 결과를 얻으려면 원형 톱과 가이드 레일 (그림 N, **35**) 사이의 간격이 매우 작아야 합니다.

이 클리어런스가 작을수록 직선 마감이 공작물에 더 좋습니다. 클리어런스는 0°절단 **19** 및 1-45°베벨 절단 **20**에 대해베이스의 각 채널에 대해 2개의 레일 조절기 **19**, **20** (그림 A)으로 설정할 수 있습니다. 레일 조절기는 장치와 가이드 레일 사이의 간격을 줄일

수 있는 정밀 캠입니다. 이러한 조절 장치를 설정하면 절단 중 톱의 옆으로의 움직임이 최소화되고 부드러운 절단 작업이 가능합니다.

**참고:** 조절기는 출고시 최소 간격으로 설정되어 있으므로 장치를 사용하기 전에 조정 및 설정이 필요할 수 있습니다. 원형 톱을 가이드 레일에 설정하려면 다음 지침을 따르십시오.

**주의사항:** 톱의 레일 조절 장치를 가이드 레일로 설정하십시오.

1. 톱과 가이드 레일 사이를 조절할 수 있도록 레일 조절기 내부의 나사를 푸십시오.
2. 하부 가드를 복귀시키고 장치를 가이드 레일에 놓고 블레이드가 가장 높은 위치에 있도록 하십시오.
3. 가이드 레일의 톱이 잠길 때까지 조절 장치를 돌립니다. **중요한 정보:** 톱을 앞으로 밀면서 톱이 레일에 단단히 부착되어 있는지 확인하십시오. 톱의 움직임이 없는지 확인하십시오.
4. 톱이 레일을 따라 쉽게 미끄러질 때까지 조절 장치를 약간 뒤로 돌립니다.
5. 레일 조절기를 제자리에 고정하고 나사를 다시 조이십시오.

**참고:** 항상 다른 레일과 함께 사용하도록 시스템을 조정하십시오. 레일 조절기는 이제 가이드 레일에서 톱으로 절단할 때 측면 편차를 최소화하도록 설정되었습니다.

톱을 사용하기 전에 가이드 레일의 쏘개짐 방지 가이드 **38** 을 튜닝해야 합니다. **안티 스플린터 가이드 튜닝**을 참조하십시오.

### 안티 스플린터 가이드 튜닝 (그림 N)

가이드 레일 **35** 에는 스플린터 방지 가이드 **38** 가 장착됩니다 처음 사용하기 전에 톱에 맞춰야 합니다.

스플린터 방지 가이드 **38** 는 가이드 레일의 각 가장자리에 위치합니다 (그림 N). 이 스플린터 방지 가이드의 목적은 절단 중에 공작물 절단 모서리를 따라 발생하는 치핑을 줄이면서 사용자에게 가시적인 절단 선을 제공하는 것입니다.

**중요한 정보:** 스플린터 가이드를 절단하기 전에 **항상 가이드 레일에 원형 톱 세팅**을 읽고 따르십시오!

### 안티 스플린터 가이드 튜닝 단계 (그림 O-R)

1. 가이드 레일 **35** 을 최소 길이100mm의 스크랩 나무 조각 **39** 위에 놓고 작업 물을 돌출시킵니다 (그림 O). 가이드 레일이 공작물에 단단히 부착되도록 클램프를 사용하십시오. 정확도가 보장됩니다.

2. 장치를 20mm 길이로 설정하십시오.

3. 톱의 앞면을 가이드 레일의 오버행 끝에 놓고 블레이드가 레일 가장자리 앞에 놓이도록 하십시오 (그림 P).

톱을 켜고 한 번의 연속 작동으로 레일 전체 길이를 따라 파편 가이드를 천천히 지릅니다. 스플린터 가이드의 모서리는 이제 블레이드의 모서리와 정확히 일치합니다 (그림 Q).

가이드 레일의 다른쪽에 있는 안티 스플린터 가이드를 튜닝하려면 레일에서 톱을 제거하고 레일을 180°회전하십시오. 1-4 단계를 반복하십시오.

**참고:** 원하는 경우 파편 가이드를 45°로 기울인 다음 1-4 단계를 반복하십시오. 이렇게 하면 레일의 한쪽이 평행 절단을 할 수 있고 레일의 다른 쪽이 45° 베벨 절단을 위해 조정됩니다 (그림 R).

**참고:** 안티 스플린터 가이드 양쪽에서 평행 절단을 위해 조정 된 경우, 장치가 비스듬하게 되면 블레이드가 안티 스플린터 가이드의 가장자리에 닿지 않습니다. 이는 장치 경사면의 피벗 점이 고정되어 있지 않고 장치가 경사면 높이 움직입니다.

## 커프 표시기 (그림 S-U)

톱 슈의 전방에는 수직 및 베벨 절단을 위한 커프 표시기 **41** 가 있습니다. 이 표시기를 사용하면 절단중인 재료에 연필로 표시된 절단 선을 따라 톱을 안내할 수 있습니다. 커프 인디케이터는 톱날의 왼쪽 (외부)과 일치선이 되어 이동 블레이드에 의해 절단 된 슬롯 또는 "커프"가 인디케이터의 오른쪽으로 떨어집니다. 커프가 폐기물 또는 잉여 재료에 빠지도록 연필로 자른 절단 선을 따라 안내합니다. 그림 T 는 가이드 레일에 대한 평행 절단 위치의 톱을 보여줍니다. 그림 U 는 가이드 레일에 대한 베벨 절단 위치의 톱을 보여줍니다.

## 작동을 하기 전에

- 가드가 올바르게 장착되었는지 확인하십시오. 톱날 가드가 닫힌 위치에 있어야 합니다.
- 톱날이 날의 화살표 방향으로 회전하는지 확인하십시오.
- 마모 된 톱날은 사용하지 마십시오.

## 조작

### 사용 지침

**경고:** 항상 안전 지시 사항과 해당 규정을 준수하십시오.

**경고:** 심각한 신체 부상의 위험을 줄이려면 공구를 정하거나 부착물 또는 액세서리를 제거/설치하기 전에 공구를 끄고 배터리 팩을 분리하십시오. 공구가 갑자기 동하여 부상을 당할 수 있습니다.

## 올바른 손의 위치 (그림 V)

**경고:** 심각한 신체 부상의 위험을 줄이려면 항상 그림과 같이 올바르게 손을 위치하십시오.

**경고:** 심각한 신체 부상의 위험을 줄이려면, 항상 급작스러운 반동을 예상하고 확실하게 잡으십시오.

올바른 손 위치는 메인 핸들 **3**에 한 손, 다른 손은 보조 손잡이 **7**로 사용합니다.

## LED 작업 등 (그림 A)

트리거 스위치를 누르면 LED 작업 등 **10** 이 활성화됩니다. 트리거를 놓으면 작업등이 최대 20 초 동안 계속 켜져 있습니다.

**참고:** 작업등은 바로 작업대를 비추기 위한 것이며 손전등으로 사용되지는 않습니다.

## 커프 끄기 (그림 A)

안전상의 이유로 공구의 트리거 스위치 **1**에는 잠금 버튼 **2**이 장착되어 있습니다.

잠금 해제 버튼을 눌러 공구를 잠금 해제하십시오.

공구를 작동시키려면 트리거 스위치 **1**를 누르십시오. 트리거 스위치에서 손을 떼면 기계가 작동하지 않게 시작되지 않도록 잠금 스위치가 자동으로 활성화됩니다.

**참고:** 톱날이 가공물 또는 기타 재료에 닿을 때 공구를 켜거나 끄지 마십시오.

## 공작물 지지대 (그림 W-Z)

**경고:** 심각한 신체 부상의 위험을 줄이려면 작업을 올바르게 지지하고 제어력 상실을 방지하기 위해 톱을 단단히 잡으십시오.

그림 W와 Y는 적절한 톱질 위치를 보여줍니다. 그림 X와 Z는 안전하지 않은 상태를 보여줍니다. 손은 절단 작업 구역에서 멀리하십시오. 기계 반동을 피하기 위해 항상 절단부 주변의 보드 또는 패널을 지지하십시오(그림 W 및 Y). 절단 부분에서 보드 나 패널을 멀리하지 마십시오(그림 X, Z).

항상 조정작업을 수행하기 전에 배터리 팩을 분리하십시오.

공작물의 외관이 가장 중요한 "좋은" 면을 아래로 향하게 놓습니다. 톱이 위로 자르기 때문에 톱을 봤을 때 작업면에 어떤 파면이 생길 수 있습니다.

## 절단 (그림 Y)

**경고:** 이 공구를 작업대에 가꾸러 놓고 재료를 도구로 가져와서 사용하지 마십시오. 그림 Y와 같이 항상 양손으로 공구를 잡고 공작물을 단단히 고정하고 공구를 공작물로 가져 오십시오.

절단시 떨어질 부분이 아니라 단단히 지지 된 공작물 부분에 톱베이스 플레이트의 넓은 부분을 놓습니다. 예를 들어, 그림 Y 는 보드 끝을 잘라내는 올바른 방법을 보여줍니다. 항상 공작물을 고정하십시오. 손으로 짧은 조각을 잡지 마십시오! 외팔보와 돌출 된 재료를 지지해야 합니다. 아래에서 재료를 절단할 때는 주의하십시오. 블레이드가 절단 할 재료에 닿기 전에 톱이 최고 속도인지 확인하십시오. 절단되거나 절단 될 재료에 대해 블레이드와 함께 톱으로 작동하면 기계 반동이 발생할 수 있습니다. 블레이드가 자를 수 있는 속도로 톱을 앞으로 밀니다. 경도와 인성은 동일한 경우에도 다를 수 있습니다. 재료 조각, 결절 또는 습기가 많은 부분은 속도가 빠를 수 있습니다. 톱에 무리한 힘을 가하면 톱에 거친 절단, 부정확성, 부하 등이 발생할 수 있습니다. 이 경우 톱을 더 천천히 밀지 만 기계 반동과 모터 과열을 줄이지 않고 계속 작동할 수 있을 정도로 세게 누르십시오. 컷이 라인에서 떨어지기 시작하면 다시 강제로 작업하지 마십시오. 스위치를 풀고 블레이드가 완전히 멈출 수 있도록 합니다. 그런 다음 톱을 빼내고 다시 약간 틀린 부분에서 새 절단을 시작할 수 있습니다. 절단을 이동해야 하는 경우에는 톱을 빼십시오. 절단 내부를 교정하면 톱이 멈춰 기계 반동이 발생할 수 있습니다.

톱이 멈춘 경우 트리거를 해제하고 풀릴 때까지 톱을 백업하십시오. 블레이드를 다시 시작하기 전에 커팅 및 컷 아웃을 청소해야 합니다.

절단을 마치면 트리거를 놓고 작업물에서 톱을 들어 올리기 전에 블레이드가 멈출 수 있습니다. 톱을 들어 올리면 스프링 장력 조정 가드가 블레이드 아래에서 자동으로 닫힙니다. 이 상황이 발생할 때까지 블레이드가 노출되어 있음을 기억하십시오. 어떤 이유로든 작업을 수행하지 마십시오. 텔러 스크핑 가드를 수동으로 복귀시켜야 할 경우(포켓 절단을 시작하는 데 필요하므로) 항상 복귀 레버를 사용하십시오.

**참고:** 얇은 스트림을 절단 할 때 작은 절단 조각이 하부 가이드 내부에 걸리지 않도록 주의하십시오.

## 포켓 절단 (그림 AA)

**경고:** 블레이드 가드를 상층 위치에 묶지 마십시오. 포켓 절단시 톱을 뒤로 움직이지 마십시오. 기기가 작업대에서 위로 올라가 부상을 입을 수 있습니다.

포켓 컷은 바닥, 벽 또는 기타 평평한 표면에 구형되는 것입니다.

1. 블레이드가 원하는 길이로 절단되도록 톱베이스 플레이트를 조정하십시오.
2. 톱을 앞으로 기울이고 절단 할 재료에베이스 플레이트의 전면을 놓습니다.

3. 하단 가드 레버를 사용하여 하단 블레이드 가드를 위로 올리십시오. 블레이드 톱니가 절단 선에 닿을 때까지 베이스 플레이트의 후면을 내립니다.
4. 블레이드 가드를 해제합니다(작업물과 닿으면 절단을 시작할 때 자유롭게 열릴 수 있는 위치에 유지됨). 그림 AA와 같이 가드 레버에서 손을 빼고 보조 손잡이를 단단히 잡습니다. 기계 반동이 발생할 경우 반동에 견딜 수 있도록 몸과 팔을 배치하십시오.
5. 톱을 작동하기 전에 블레이드가 절단면에 닿지 않도록 하십시오.
6. 모터를 시동하고 베이스 플레이트가 절단 될 재료에 평평하게 놓일 때까지 톱을 서서히 내립니다. 절단이 완료 될 때까지 절단 선을 따라 전진하십시오.
7. 재료에서 블레이드를 빼기전에 트리거를 놓고 블레이드가 완전히 멈출 수 있도록 합니다.
8. 각각의 새 절단 작업을 시작할 때 위와 같이 반복하십시오.

## 집진 (그림 DD)

**경고:** 먼지 흡입 위험. 신체 부상의 위험을 줄이려면 항상 승인 된 방진 마스크를 착용하십시오.

집진 포트 **34** 가 공구와 함께 제공됩니다.

집진 포트를 사용하면 AirLock™ 시스템(DWV9000-X)을 사용하거나 표준 35mm 집진 부속품을 사용하여 도구를 외부 집진기에 연결할 수 있습니다.

**경고:** 목재를 절단할 때 먼지 방출에 관한 해당 지침을 준수하도록 설계된 진공 추출기를 항상 사용하십시오. 가장 일반적인 진공 청소기의 진공 호스는 먼지 추출 구에 직접 장착됩니다.

## 서까래 후크 (그림 A) (일부 모델에 포함)

**경고:** 심각한 신체 부상의 위험을 줄이려면 공구의 서까래 후크를 사용하여 공구를 몸에 걸지 마십시오. 공구를 사용 중에 사람이나 물체에 테 더러하거나 고정할 때 서까래 후크를 사용하지 마십시오. 공구 오버 헤드를 매달거나 서까래 후크에서 물건을 매달 지 마십시오.

**경고:** 원형 톱으로 인한 작업자의 부상 위험을 줄이려면 서까래 후크를 사용할 때 서까래가 단단히 지지되거나 사용하지 않을 때는 안전하고 안정된 장소에 배치하십시오. 공구 또는 절단되지 않은 재료가 떨어져 사람이나 다른 사람이 부딪 칠 위험을 줄이려면

원형 톱은 사용 사이에 적절하고 안정적인 구조에 매달 수 있는 편리한 서까래 후크 **4** 를 포함합니다. 서까래 후크는 사용 중에 공구를 사람이나 물체에 테 더러하거나 고정하기 위한 것이 아닙니다.

## 유지 보수

DeWALT 전동 공구는 최소한의 유지 보수로 장기간에 걸쳐 작업이 가능하도록 설계되어 있습니다. 만족스러운 연속 작동은 적절한 공구 관리와 정기적인 청소에 따라 그 성능이 달라질 수 있습니다.

**경고:** 심각한 신체 부상의 위험을 줄이려면 공구를 정하거나 **부하를 또는 액세서리를 제거/설치하기 전에 공구를 끄고 배터리 팩을 분리하십시오.** 공구가 갑자기 작동하여 부상을 당할 수 있습니다.

충전기 및 배터리 팩은 수리할 수 없습니다.



## 운할방법

자체 운할 볼 및 톱러 베어링이 공구에 사용되며 재 운할이 필요하지 않습니다. 그러나 기어 케이스의 철저한 청소, 점검 및 운할을 위해 1 년에 한 번씩 공구를 서비스 센터로 가져 가거나 보내십시오.



## 청소

**경고:** 통풍구 속이나 주변에 먼지가 쌓여있는 것이 보이면 가능한 한 자주 건조한 공기를 이용하여 메인 하우징에서 먼지를 불어내십시오. 이 절차를 수행할 때에는 승인된 눈 보호 장구 및 승인된 방진 마스크를 착용하십시오.

**경고:** 공구의 비금속성 부분을 청소할 때는 용제 등의 강력한 화학약품을 절대 사용하지 마십시오. 그렇지 않으면 이러한 부분에 사용된 재료가 약해질 수 있습니다. 형광에 물과 순한 비누를 적셔 닦아주십시오. 공구 내부에 액체를 넣거나 공구 부분을 액체에 담그는 행동은 절대 금물입니다.

## 하부 가드

하부 가드는 항상 완전히 열리거나 닫히는 위치에서 자유롭게 회전하고 닫아야 합니다. 가드를 완전히 열고 닫아서 절단하기 전에 항상 올바른 작동을 점검하십시오. 가드가 천천히 닫히거나 완전히 닫히지 않으면 청소 또는 수리가 필요합니다. 톱이 올바르게 작동 할 때까지 톱을 사용하지 마십시오. 가드를 청소하려면 마른 공기 나 부드러운 솔을 사용하여 가드의 경로와 가드 스프링 주위에서 쌓인 모든 톱밥이나 부스러기를 제거하십시오. 이렇게 해도 문제가 해결되지 않으면 공인 서비스 센터에서 서비스를 받아야 합니다.

## 베이스 플레이트 조정 (그림 E, BB, CC)

베이스 플레이트는 블레이드가 베이스 플레이트에 수직이 되도록 공정 출하시 설정되어 있습니다. 장기간 사용 후 베이스 플레이트를 다시 정렬해야 하는 경우 아래 지침을 따르십시오.

### 90도 컷 조정

1. 톱을 0도 베벨로 되돌립니다.
2. 톱을 옆으로 놓고 하부 가드를 집어 넣습니다.
3. 절삭 깊이를 51mm로 설정하십시오.
4. 베벨 조절 레버 (**8**, 그림 CC)를 푸십시오. 그림 BB와 같이 날과 베이스 플레이트에 사각형을 배치하십시오.
5. 육각 키 (**24**, 그림 E)를 사용하여 베이스 플레이트 밑면의 고정 나사 (**42**, 그림 BB)를 낱과
6. 베이스 플레이트는 모두 정사각형과 접하게 접촉합니다. 베벨 조정 레버를 다시 조이십시오.

### 베벨 조정 레버 조정 (그림 CC)

베벨 조절 레버 **8** 을 조절하는 것이 바람직 할 수 있습니다. 조이기 전에 풀리고 리고 베이스 플레이트에 부딪힐 수 있습니다.

### 레버를 조이려면

1. 베벨 조정 레버 **8** 을 잡고 베벨 잠금 너트 **40** 을 풀니다.
2. 베벨 조정 레버를 원하는 방향으로 약 1/8 회전하여 회전시켜 조정하십시오.
3. 너트를 다시 조입니다.

## 블레이드

날이 무더지면 비효율적 인 절단, 톱 모터 과부하, 과도한 파열 및 반동 가능성이 높아집니다. 더 이상 절단부를 통해 톱을 쉽게 밀 수 없거나, 모터가 변형되거나, 블레이드에 과도한 열이 발생하면 블레이드를 교체하십시오. 날카로운 날을 즉시 사용할 수 있도록 여분의 날을 준비해 두는 것이 좋습니다. 둔한 블레이드는 대부분의 영역에서 날카롭게 할 수 있습니다.

날의 경화 된 검은 등유, 테레빈 유 또는 오븐 클리너로 제거할 수 있습니다. 점착 방지 코팅 블레이드는 압력 처리 및 녹색 목재와 같이 과도한 축적이 발생하는 응용 분야에서 사용할 수 있습니다.

## 선택 액세서리



**경고:** DeWALT에서 제공하지 않은 액세서리는 본 제품에서 테스트되지 않았으므로 본 제품에서 이러한 액세서리를 사용하면 위험할 수 있습니다. 신체 부상의 위험을 줄이려면 본 제품에 알맞은 액세서리만 사용해야 합니다.

이 톱과 함께 물 공급 장치를 사용하지 마십시오. 사용하기 전에 육안으로 초경합금 블레이드를 확인하십시오. 손상된 경우 교체하십시오.

해당 액세서리에 대한 자세한 정보는 판매 대리점으로 문의하십시오.

## 환경 보호



분리 수거. 이 기호가 표시된 제품과 배터리를 일반 가정용 쓰레기와 함께 처리하면 안됩니다.

제품과 배터리에는 재용되거나 재활용되고 고철 자원에 대한 수요를 줄일 수 있는 자재가 포함되어 있습니다. 전기 제품과 배터리는 지역 규정에 따라 재활용하십시오. 자세한 내용은 [www.2helpU.com](http://www.2helpU.com) 에서 찾아볼 수 있습니다.

## 충전용 배터리 팩

이전에 쉽게 수행했던 작업에 대해 충분한 힘을 발휘하지 못하는 배터리 팩은 재충전해야 합니다. 배터리 수명이 다하면 환경 보호 차원에서 배터리 팩을 폐기하십시오.

- 배터리 팩을 완전히 사용하고 난 후 공구에서 분리하십시오.
- 리튬이온 전지는 재활용할 수 있습니다. 이 전지를 판매점이나 지역 재활용 센터로 가져가십시오. 수집된 배터리 팩은 재활용되거나 적절히 폐기됩니다

## 정비 및 수리

DeWALT는 고객들에게 가장 효율적이고 신뢰할 수 있는 서비스를 제공하기 위하여 훈련된 직원들로 센터를 구성하고 있습니다. 사용자의 안전 및 제품의 신뢰성을 보장하기 위하여 제품의 정비, 유지 보수 및 수리는 반드시 공인된 서비스센터에서 수행해야 합니다. 자격이 없는 곳으로부터 받은 제품의 정비 및 수리는 사용자의 부상 위험 및 불이익을 초래할 수 있습니다. 가까운 DeWALT 서비스센터의 위치를 알아보려면, 제품과 함께 동봉된 전단을 통해 전화번호, 홈페이지 주소 및 기타 연락처 등을 확인할 수 있습니다.