

**DEWALT®**

**[www.DEWALT.com](http://www.DEWALT.com)**

**DWD014S**

---

English

3

---

简体中文

9

---

Figure 1

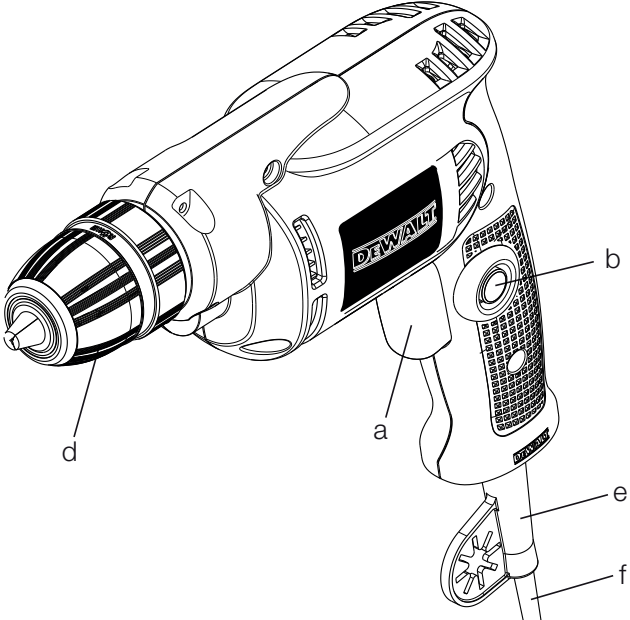


Figure 2

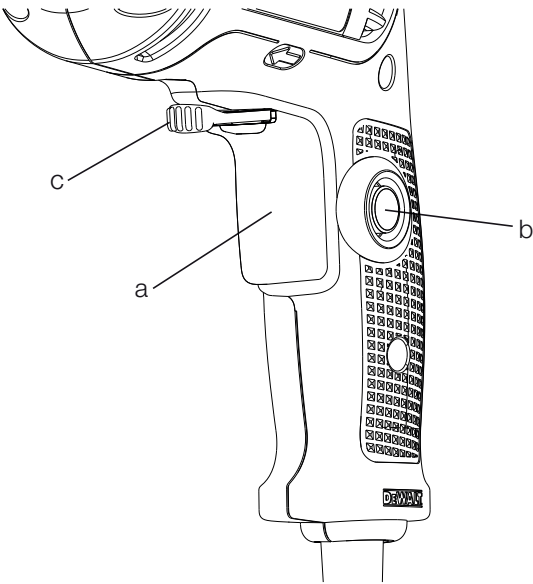


Figure 3

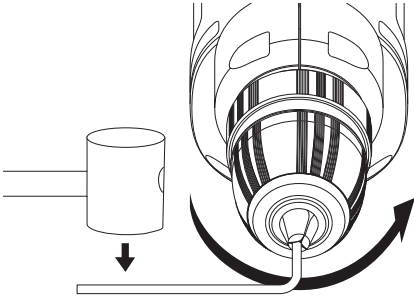
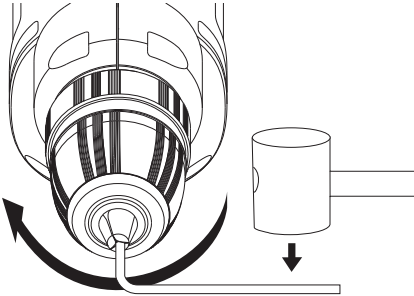


Figure 4



# VARIABLE SPEED REVERSIBLE DRILL

## DWD014S

### Congratulations!

You have chosen a DEWALT tool. Years of experience, thorough product development and innovation make DEWALT one of the most reliable partners for professional power tool users.

### Technical data

DWD014S		A9	B1/ XD
Voltage	V	220	220-240
Power input	W	550	550
No load speed	min <sup>-1</sup>	0-2,800	0-2,800
Maximum drilling range			
steel/wood	mm	10/25	10/25
Chuck spindle			
thread size	UNF	1/2"x20	1/2"x20
Maximum chuck			
capacity	mm	10	10
Weight	kg	1.3	1.3

### Definitions: Safety Guidelines

The definitions below describe the level of severity for each signal word. Please read the manual and pay attention to these symbols.



**DANGER:** Indicates an imminently hazardous situation which, if not avoided, will result in **death or serious injury** .



**WARNING:** Indicates a potentially hazardous situation which, if not avoided, **could** result in **death or serious injury** .



**CAUTION:** Indicates a potentially hazardous situation which, if not avoided, **may** result in **minor or moderate injury** .

**CAUTION:** Used without the safety alert symbol indicates a potentially hazardous situation which, if not avoided, **may** result in **property damage** .



Denotes risk of electric shock.



Denotes risk of fire.



**WARNING:** To reduce the risk of injury, read the instruction manual.

### General Power Tool Safety Warnings



**WARNING!** Read all safety warnings and instructions. Failure to follow the warnings and instructions may result in electric shock, fire and/or serious injury.

#### SAVE ALL WARNINGS AND INSTRUCTIONS FOR FUTURE REFERENCE

The term "power tool" in the warnings refers to your mains-operated (corded) power tool or battery-operated (cordless) power tool.

#### 1) WORK AREA SAFETY

- Keep work area clean and well lit.** Cluttered or dark areas invite accidents.
- Do not operate power tools in explosive atmospheres, such as in the presence of flammable liquids, gases or dust.** Power tools create sparks which may ignite the dust or fumes.
- Keep children and bystanders away while operating a power tool.** Distractions can cause you to lose control.

**2) ELECTRICAL SAFETY**

- a) **Power tool plugs must match the outlet. Never modify the plug in any way. Do not use any adapter plugs with earthed (grounded) power tools.** Unmodified plugs and matching outlets will reduce risk of electric shock.
- b) **Avoid body contact with earthed or grounded surfaces such as pipes, radiators, ranges and refrigerators.** There is an increased risk of electric shock if your body is earthed or grounded.
- c) **Do not expose power tools to rain or wet conditions.** Water entering a power tool will increase the risk of electric shock.
- d) **Do not abuse the cord. Never use the cord for carrying, pulling or unplugging the power tool. Keep cord away from heat, oil, sharp edges or moving parts.** Damaged or entangled cords increase the risk of electric shock.
- e) **When operating a power tool outdoors, use an extension cord suitable for outdoor use.** Use of a cord suitable for outdoor use reduces the risk of electric shock.
- f) **If operating a power tool in a damp location is unavoidable, use a residual current device (RCD) protected supply.** Use of an RCD reduces the risk of electric shock.

**3) PERSONAL SAFETY**

- a) **Stay alert, watch what you are doing and use common sense when operating a power tool. Do not use a power tool while you are tired or under the influence of drugs, alcohol or medication.** A moment of inattention while operating power tools may result in serious personal injury.
- b) **Use personal protective equipment. Always wear eye protection.** Protective equipment such as dust mask, non-skid safety shoes, hard hat, or hearing protection used for appropriate conditions will reduce personal injuries.
- c) **Prevent unintentional starting. Ensure the switch is in the off position before connecting to power source and/or battery pack, picking up or carrying the tool.** Carrying power tools with your finger on the switch or energising power tools that have the switch on invites accidents.
- d) **Remove any adjusting key or wrench before turning the power tool on.** A wrench or a key left attached to a rotating part of the power tool may result in personal injury.

- e) **Do not overreach. Keep proper footing and balance at all times.** This enables better control of the power tool in unexpected situations.
- f) **Dress properly. Do not wear loose clothing or jewellery. Keep your hair, clothing and gloves away from moving parts.** Loose clothes, jewellery or long hair can be caught in moving parts.
- g) **If devices are provided for the connection of dust extraction and collection facilities, ensure these are connected and properly used.** Use of dust collection can reduce dust-related hazards.

**4) POWER TOOL USE AND CARE**

- a) **Do not force the power tool. Use the correct power tool for your application.** The correct power tool will do the job better and safer at the rate for which it was designed.
- b) **Do not use the power tool if the switch does not turn it on and off.** Any power tool that cannot be controlled with the switch is dangerous and must be repaired.
- c) **Disconnect the plug from the power source and/or the battery pack from the power tool before making any adjustments, changing accessories, or storing power tools.** Such preventive safety measures reduce the risk of starting the power tool accidentally.
- d) **Store idle power tools out of the reach of children and do not allow persons unfamiliar with the power tool or these instructions to operate the power tool.** Power tools are dangerous in the hands of untrained users.
- e) **Maintain power tools. Check for misalignment or binding of moving parts, breakage of parts and any other condition that may affect the power tool's operation. If damaged, have the power tool repaired before use.** Many accidents are caused by poorly maintained power tools.
- f) **Keep cutting tools sharp and clean.** Properly maintained cutting tools with sharp cutting edges are less likely to bind and are easier to control.
- g) **Use the power tool, accessories and tool bits etc., in accordance with these instructions taking into account the working conditions and the work to be performed.** Use of the power tool for operations different from those intended could result in a hazardous situation.

**5) SERVICE**

- a) **Have your power tool serviced by a qualified repair person using only identical replacement parts.** This will ensure that the safety of the power tool is maintained.

## Additional Specific Safety Rules for Drills

- **Hold power tool by insulated gripping surfaces only, when performing an operation where the cutting accessory may contact hidden wiring or its own cord.** Cutting accessory contacting a "live" wire may make exposed metal parts of the power tool "live" and shock the operator.
- **Use clamps or other practical way to secure and support the workpiece to a stable platform.** Holding the work by hand or against your body is unstable and may lead to loss of control.
- **Wear safety goggles or other eye protection.** Drilling operations cause chips to fly. Flying particles can cause permanent eye damage.
- **Bits and tools get hot during operation.** Wear gloves when touching them.
- **Keep handles dry, clean, free from oil and grease. it is recommended to use rubber gloves.** This will enable better control of the tool.

## Residual Risks

In spite of the application of the relevant safety regulations and the implementation of safety devices, certain residual risks cannot be avoided. These are:

- Impairment of hearing
- Risk of personal injury due flying particles.
- Risk of burns due to accessories becoming hot during operation.
- Risk of personal injury due to prolonged use.

## Markings on tool

The following pictograms are shown on the tool:



Read instruction manual before use.

### DATE CODE POSITION

Date Code, which also includes the year of manufacture, is printed into the housing surface.

Example:

2008 XX XX  
Year of Manufacture

## Package Contents

The package contains:

1 Drill

1 Instruction manual

- Check for damage to the tool, parts or accessories which may have occurred during transport.
- Take the time to thoroughly read and understand this manual prior to operation.

## Description (fig. 1)



**WARNING:** Never modify the power tool or any part of it. Damage or personal injury could result.

- Variable speed trigger switch
- Lock-on button
- Forward/reverse lever
- Chuck
- Cord protector
- Cord set

### INTENDED USE

These heavy-duty V.S.R. drills are designed for professional drilling.

**DO NOT** use under wet conditions or in presence of flammable liquids or gases.

These heavy-duty drills are professional power tools.

**DO NOT** let children come into contact with the tool. Supervision is required when inexperienced operators use this tool.

## Electrical Safety

The electric motor has been designed for one voltage only. Always check that the power supply corresponds to the voltage on the rating plate.



Your DEWALT power tool is double insulated in accordance with EN 60745; therefore no earth wire is required.

If the supply cord is damaged, it must be replaced by a specially prepared cord available through the DEWALT service organization.



**WARNING: NEVER** use a light socket.

**NEVER** connect the live (L) or neutral (N) wires to the earth pin marked E or  $\perp$ .

## Using an Extension Cable

An extension cord should not be used unless absolutely necessary. Use an approved extension cable suitable for the power input of your charger (see technical data). The minimum conductor size is 1 mm<sup>2</sup>; the maximum length is 30 m.

Also refer to the table below.

Conductor size (mm <sup>2</sup> )	Cable rating (Amperes)					
0.75	6					
1.00	10					
1.50	15					
2.50	20					
4.00	25					
Cable length (m)	7.5	15	25	30	45	60
Voltage	Amperes	Cable rating (Amperes)				
220-240	0 – 2.0	6	6	6	6	6
	2.1 – 3.4	6	6	6	6	6
	3.5 – 5.0	6	6	6	6	10
	5.1 – 7.0	10	10	10	10	15
	7.1 – 12.0	15	15	15	15	20
115	12.1 – 20.0	20	20	20	20	–
	0 – 2.0	6	6	6	6	10
	2.1 – 3.4	6	6	6	6	15
	3.5 – 5.0	6	6	10	15	20
	5.1 – 7.0	10	10	15	20	25
7.1 – 12.0	15	15	20	25	–	
12.1 – 20.0	20	20	25	–	–	

When using a cable reel, always unwind the cable completely.

## ASSEMBLY AND ADJUSTMENTS



**WARNING: To reduce the risk of injury, turn unit off and disconnect machine from power source** before installing and removing accessories, before adjusting or changing set-ups or when making repairs. Be sure the trigger switch is in the OFF position. An accidental start-up can cause injury.

## OPERATION

### Instructions for Use



**WARNING: Always observe the safety instructions and applicable regulations.**

### Switches (fig. 1, 2)

To start the drill, depress the trigger switch; to stop the drill, release the trigger.

A variable speed trigger switch (a) permits speed control—the farther the trigger is depressed, the higher the speed of the drill.

For continuous operation, press and hold the variable speed switch, press the lock-on button (b), then release the switch.

**NOTE:** Use lower speeds for starting holes without a center punch, drilling in metal or plastics, driving screws or drilling ceramics. Higher speeds are better for drilling wood and composition boards and using abrasive and polishing accessories.

The forward/reverse lever (c) is used for withdrawing bits from tight holes and removing screws. It is located above the trigger switch. To reverse the motor, release the trigger switch FIRST and then push the lever to the right. After any reversing operations, return lever to forward position.

To stop continuous operation, press the switch briefly and release it. Always switch the tool off when work is finished and before unplugging.

### Drilling



**WARNING: To reduce the risk of personal injury, ALWAYS ensure workpiece is anchored or clamped firmly.** If drilling thin material, use a wood “back-up” block to prevent damage to the material.



1. Use sharp drill bits only. For WOOD, use twist drill bits, spade bits, power auger bits, or hole saws. For METAL, use steel twist drill bits or hole saws.
2. Always apply pressure in a straight line with the bit. Use enough pressure to keep drill biting, but do not push hard enough to stall the motor or deflect the bit.
3. Hold tool firmly with both hands to control the twisting action of the drill.
4. **IF DRILL STALLS**, it is usually because it is being overloaded or improperly used. **RELEASE TRIGGER IMMEDIATELY**, remove drill bit from work, and determine cause of stalling. **DO NOT CLICK TRIGGER ON AND OFF IN AN ATTEMPT TO START A STALLED DRILL — THIS CAN DAMAGE THE DRILL.**
5. To minimize stalling or breaking through the material, reduce pressure on drill and ease the bit through the last fractional part of the hole.
6. Keep the motor running when pulling the bit back out of a drilled hole. This will help prevent jamming.
7. With variable speed drills there is no need to center punch the point to be drilled. Use a slow speed to start the hole and accelerate by squeezing the trigger harder when the hole is deep enough to drill without the bit skipping out.

#### DRILLING IN METAL

Start drilling with slow speed and increase to full power while applying firm pressure on the tool. A smooth even flow of metal chips indicates the proper drilling rate. Use a cutting lubricant when drilling metals. The exceptions are cast iron and brass which should be drilled dry.

**NOTE:** Large [5/16" (8 mm)] holes in steel can be made easier if a pilot hole [5/32" (4 mm)] is drilled first.

#### DRILLING IN WOOD

Start drilling with slow speed and increase to full power while applying firm pressure on the tool. Holes in wood can be made with the same twist drills used for metal. These bits may overheat unless pulled out frequently to clear chips from the flutes. Work that is apt to splinter should be backed up with a block of wood.

### Keyless chuck (fig. 3, 4)

The DWD014S features a keyless chuck (d). To insert a drill bit or other accessory, follow the steps listed below.

1. Open the chuck by turning the sleeve (d) counterclockwise and insert the bit shank.
2. Tighten firmly by turning the sleeve clockwise.

To release the bit, turn the chuck counterclockwise, then loosen the chuck by hand.

#### REMOVAL OF KEYLESS CHUCK (FIG. 3)

Tighten the chuck around the shorter end of a hex key (not supplied) of 1/4" (6 mm) or greater size. Using a soft hammer, strike the key sharply in the counterclockwise direction when viewed from the front of the tool. This will loosen the chuck so that it can be removed by hand.

#### KEYLESS CHUCK INSTALLATION (FIG. 4)

Screw the chuck on by hand as far as it will go. Insert the shorter end of a hex key (not supplied) of 1/4" (6mm) or greater size and strike it in the clockwise direction with a soft hammer.

## MAINTENANCE

Your DEWALT power tool has been designed to operate over a long period of time with a minimum of maintenance. Continuous satisfactory operation depends upon proper tool care and regular cleaning.



**WARNING:** To reduce the risk of injury, turn unit off and disconnect machine from power source before installing and removing accessories, before adjusting or changing set-ups or when making repairs. Be sure the trigger switch is in the OFF position. An accidental start-up can cause injury.

## Motor Brushes

DEWALT uses an advanced brush system which automatically stops the drill when the brushes wear out. This prevents serious damage to the motor. New brush assemblies are available at authorized DEWALT service centers. Always use identical replacement parts.



## Lubrication

Your power tool requires no additional lubrication.



## Cleaning



**WARNING:** Blow dirt and dust out of the main housing with dry air as often as dirt is seen collecting in and around the air vents. Wear approved eye protection and approved dust mask when performing this procedure.



**WARNING:** Never use solvents or other harsh chemicals for cleaning the non-metallic parts of the tool. These chemicals may weaken the materials used in these parts. Use a cloth dampened only with water and mild soap. Never let any liquid get inside the tool; never immerse any part of the tool into a liquid.

## Optional Accessories



**WARNING:** Since accessories, other than those offered by DEWALT, have not been tested with this product, use of such accessories with this tool could be hazardous. To reduce the risk of injury, only DEWALT, recommended accessories should be used with this product.

Consult your dealer for further information on the appropriate accessories.



**CAUTION:** To reduce the risk of injury, the following accessories should be used only in sizes up to the maximums shown in the table below.

### MAXIMUM RECOMMENDED CAPACITIES

Drill capacity	10 mm
R.P.M.	0-2,800
Bits, metal drilling	10 mm
Wood, flat boring	25.4 mm
Hole saws	28.4 mm

# DWD014S 型变速正反转电钻

## 祝贺您!

您已选择了得伟工具。凭借多年的经验和在产品开发与创新方面的不断努力，得伟已经成为专业电动工具用户的最可靠伙伴之一。

## 技术数据

DWD014S		A9	B1/XD
电压	伏特	220	220-240
功率输入	瓦特	550	550
空载速度	转/分	0-2,800	0-2,800
钢材/木材中最大钻深	毫米	10/25	10/25
夹头轴螺纹尺寸	UNF	1/2"x20	1/2"x20
夹头最大容量	毫米	10	10
重量	千克	1.3	1.3

## 定义：安全准则

下列定义解释了各标志术语的严重程度。请仔细阅读本手册并注意这些标志。



**危险：**表示紧急的危险情形，如不加以阻止，将导致**死亡或严重伤害**。



**警告：**表示潜在的危险情形，如不加以阻止，**可能导致死亡或严重伤害**。



**注意：**表示潜在的危险情形，如不加以阻止，**可能导致轻度或中度伤害**。

**注意：**（不带安全警示标志）：表示潜在的危险情形，如不加以阻止，**可能导致财产损失**。



表示有触电危险。



表示火灾危险。



**警告：**为降低伤害风险，请阅读使用手册。

## 电动工具通用安全警告



**警告！阅读所有警告和所有说明。**  
不遵照以下警告和说明会导致电击、着火和/或严重伤害。

### 保存所有警告和说明书以备将来查阅

在所有下列警告中术语“电动工具”指市电驱动（有线）电动工具或电池驱动（无线）电动工具。

#### 1) 工作场地的安全

- 保持工作场地清洁和明亮。**混乱和黑暗的场地会引发事故。
- 不要在易爆环境，如有易燃液体、气体或粉尘的环境下操作电动工具。**电动工具产生的火花会点燃粉尘或气体。
- 让儿童和旁观者离开后操作电动工具。**注意力不集中会使操作者失去对工具的控制。

#### 2) 电气安全

- 电动工具插头必须与插座相配。**绝不能以任何方式改装插头。需接地的电动工具不能使用任何转换插头。未经改装的插头和相配的插座将减少电击危险。
- 避免人体接触接地表面，如管道、散热片、冰箱。**如果你身体接地会增加电击危险。
- 不得将电动工具暴露在雨中或潮湿环境中。**水进入电动工具将增加电击危险。
- 不得滥用电线。**绝不能使用电线搬运、拉动电动工具或拔出其插头。使电线远离热源、油、锐边或运动部件。受损或缠绕的软线会增加电击危险。
- 当在户外操作电动工具时，使用适合户外使用的外接软线。**适合户外使用的软线将减少电击的危险。
- 如果在潮湿的环境下操作电动工具是不可避免的，应使用剩余电流动作保护器(RCD)。**使用RCD可减小电击的危险。

### 3) 人身安全

- a) **保持警觉。当操作电动工具时关注所从事的操作并保持清醒。当你感到疲倦，或在有药物、酒精或治疗反应时，不要操作电动工具。在操作电动工具时瞬间的疏忽会导致严重人身伤害。**
- b) **使用个人防护装置。始终佩戴护目镜。安全装置，诸如适当条件下使用防尘面具、防滑安全鞋、安全帽，听力防护等装置能减少人身伤害。**
- c) **防止意外起动的。确保开关在连接电源和/或电池盒、拿起或搬运工具时处于关断位置。手指放在已经接通电源的开关上或开关处于接通时插入插头可能会导致危险**
- d) **在电动工具接通之前，拿掉所有调节钥匙或扳手。遗留在电动工具旋转零件上的扳手或钥匙会导致人身伤害。**
- e) **手不要伸得太长。时刻注意立足点和身体平衡。这样在意外情况下能很好地控制电动工具。**
- f) **着装适当。不要穿宽松的衣服或佩戴饰品。让衣服、手套和头发远离运动部件。宽松衣服、配饰或长发可能会卷入运动部件中。**
- g) **如果提供了与排屑装置、集尘设备连接用的装置，要确保这些装置连接完好且使用得当。使用这些装置可减少碎屑引起的危险。**

### 4) 电动工具的使用和注意事项

- a) **不要滥用电动工具。根据用途使用适当的电动工具。选用适当设计的电动工具会使你工作更有效、更安全。**
- b) **如果开关不能接通或关断工具电源，则不能使用该电动工具。不能用开关来控制的电动工具是危险的且必须进行修理。**
- c) **在进行任何调节、更换附件或贮存电动工具之前，必须从电源上拔掉插头和/或使电池盒与工具脱开。这种防护性措施将减少工具意外起动的危险。**
- d) **将闲置不用的电动工具贮存在儿童所及范围之外，并且不要让不熟悉电动工具或对这些说明不了解的人操作电动工具。电动工具在未经培训的用户手中是危险的。**
- e) **保养电动工具。检查运动部件是否调整到位或卡主、检查零件破损情况和影响电动工具运行的其他状况。如有损坏，电动工具应在使用前修理好。许多事故由维护不良电动工具所引发。**
- f) **保持切削刀具锋利和清洁。保养良好的有锋利切削刃的刀具不易卡住而且更容易控制。**

- g) **按照使用说明书，考虑作业条件和进行的工作来使用电动工具、附件和工具的刀头等。将电动工具用于那些与其用途不符的操作可能会导致危险。**

### 5) 维修

- a) **将你的电动工具送交专业维修人员，使用同样的备件进行修理。这样将确保所维修的电动工具的安全性。**

## 电钻附加安全细则

- **使用冲击电钻时要戴好耳罩。暴露在噪声中会引起听力损伤。**
- **使用电动工具提供的辅助手柄。操作失手会引起人身伤害。**
- **当在钻削附件可能触及暗线或其自身软线之处进行操作时，要通过绝缘握持面来握持工具。钻削附件碰到带电导线会使工具外露的金属零件带电从而使操作者受到电击。**
- **使用夹具或采取其它可行的方法，将工件固定、支撑到稳定的平台上。手持或用身体顶住工件都是不稳定的，会导致操作失控。**
- **请佩戴安全护目镜或其它护目装备。钻孔会导致飞散的碎片。飞扬的颗粒会造成眼睛永久性伤害。**
- **钻头和工具会在使用过程中发热。接触时请佩戴手套。**
- **请保持手柄干燥、清洁，无油或油脂。建议使用橡胶手套。这样能够提高工具的控制性。**

## 残余风险

尽管遵守相关安全规章并采用安全装备，一些残余风险是不可避免的，它们是：

- 听力损伤
- 飞散颗粒的人身伤害风险。
- 使用时配件发热导致的灼伤风险。
- 长时间使用导致的人身伤害风险。

## 工具上的标识

本工具有下列图形：



使用前阅读使用手册。

### 日期码的位置

包含制造年份的日期码印在工具外壳上。

例如：

2008 XX XX  
制造年份

## 包装内容

本包装含有：

电钻 1 台

使用手册 1 本

- 检查工具、部件或配件是否在运输过程中损坏。
- 使用前，请抽空彻底阅读并掌握本手册内容。

## 说明（图 1）



**警告：**切勿修改本电动工具或其任何部件。否则，可能造成人身伤害或工具损坏。

- 调速开关
- 锁定按钮
- 正/反转拨杆
- 夹头
- 电线保护器
- 电源线

### 预期用途

本重载、可变速、正反转电钻是为专业钻孔设计的。

**禁止**在潮湿或存在易燃液体、气体的环境中使用本工具。

本重载电钻是专业型电动工具。

**禁止**让儿童接触本工具。无使用经验的人必须在监督下使用。

## 电气安全性

电动马达仅设计为一种电压。请务必检查电源电压是否与铭牌一致。



您的得伟电动工具依据 EN60745 进行双重绝缘，因此无须接地线。

如果电源线损坏，必须采用得伟维修机构提供的专用线。



**警告：禁止**使用照明电源插座。  
**禁止**将火线(L)或零线(N)接到标志为 E 或  $\perp$  的接地极上。

## 延长线的使用

除非绝对必要，否则请勿使用延长线。请使用与充电器功率输入（见技术数据）匹配的、经过认证的延长线；最小导体尺寸为  $1\text{mm}^2$ ，最大长度为 30 米。

此外，还可参考下表：

	导体尺寸 (mm <sup>2</sup> )	线缆标称值 (安培)					
	0.75	6					
	1.00	10					
	1.50	15					
	2.50	20					
	4.00	25					
线缆长度 (米)							
		7.5	15	25	30	45	60
电压	安培	线缆标称值 (安培)					
220-240	0-2.0	6	6	6	6	6	6
	2.1-3.4	6	6	6	6	6	6
	3.5-5.0	6	6	6	6	10	15
	5.1-7.0	10	10	10	10	15	15
115	7.1-12.0	15	15	15	15	20	20
	12.1-20.0	20	20	20	20	25	-
	0-2.0	6	6	6	6	6	10
	2.1-3.4	6	6	6	6	15	15
	3.5-5.0	6	6	10	15	20	20
	5.1-7.0	10	10	15	20	20	25
	7.1-12.0	15	15	20	25	25	-
	12.1-20.0	20	20	25	-	-	-

使用电缆卷筒时，请始终保持电缆完全展开。

## 组装与调整



**警告：为降低人身伤害的风险，在拆、装配件或调整、修理工具之前，请关闭工具并拔下工具插头。请确保触发开关处于 OFF 位置。意外启动容易造成人身伤害。**

## 操作

### 使用说明



**警告：**请始终遵守安全守则以及适用规则的要求。

## 开关 (图 1、2)

要启动电钻，按下触发开关即可；要使电钻停止，松开开关即可。

调速开关 (a) 可以控制速度—按下越多，电钻的速度越快。

要使工具连续运行，按下变速开关不要松开，同时，向下按锁定按钮 (b)，然后松开开关。

**注意：**在金属、塑料上钻孔，或钻陶瓷时，不使用中心冲，在开始阶段使用较低的速度钻孔。在木材或复合板上钻孔，或使用研磨抛光配件时，高速的效果较好。

正/反转拨杆 (c) 用于从紧密的孔中退出钻头。其位置在触发开关的上方。要使马达反转，首先松开触发开关，然后右推拨杆。反转操作完毕后，请将拨杆恢复到正转位置。

要停止连续运行状态，短暂按下并松开开关。在工作完毕、拔下工具插头之前，请务必关闭工具开关。

## 钻孔



**警告：为降低人身伤害风险，请始终牢固锚定或夹紧工件。如果在较薄材料上钻孔，请使用“垫板”防止损坏材料。**

1. 切记使用锋利的钻头。钻木材时，应使用麻花钻头、扁钻头、机械螺旋钻头或孔锯。钻金属时，使用钢麻花钻头或孔锯。

2. 用力方向始终与钻头成一直线。请施加足够大的压力，保证钻进所需，但不要大到马达失速或钻头倾斜。

3. 请双手紧握电钻，控制电钻的扭转效应。

4. **如果电钻失速**，常常是由于过载或使用不当。**请立即松开触发开关**，从工件上退出钻头，查找失速的原因。**切勿试图通过按下、松开触发开关来启动失速的电钻—这会损坏电钻。**

5. 为尽量减少失速故障或避免钻头在材料中折断，请降低对电钻的压力，使钻头从孔的最后部分中缓和下来。

6. 从成孔中拉出钻头时，请保持马达运转。这有助于防止卡死。

7. 使用变速电钻时，无须中心冲定位。启动时采用较低速度，当钻深足以防止跳钻时，加力挤压触发开关，使电钻加速。

### 在金属材料上钻孔

开始钻孔时，采用较低速度；对工具坚定用力时，请增至全功率。如果金属屑平滑、均匀地流出，则表明钻孔速度适当。在金属上钻孔时，请使用切削润滑剂。但铸铁和黄铜材料例外，应干钻。

**注意：**在钢材上钻大孔（8 毫米）时，如果首先钻先导孔（4 毫米），则比较容易进行。

### 在木材上钻孔

开始钻孔时，采用较低速度；对工具坚定用力时，请增至全功率。木材钻孔可以使用和钢材钻孔一样的麻花钻头。这些钻头会过热，除非你不断拔出钻头来清理钻屑。易碎裂材料应垫上木块。

## 无匙夹头 (图 3、4)

DWD014S 电钻采用无匙夹头 (d)。要安装钻头或其它配件，请按下列步骤进行。

1. 逆时针转动套筒，打开夹头钳口，并插入钻头。
2. 顺时针转动套筒，紧固夹头。

要松开钻头，用手逆时针旋转套筒即可。

### 无匙夹头的拆卸 (图3)

把 1/4" (6 毫米) 或更大尺寸六角键 (未提供) 的短端紧固到夹头内。使用软锤，在工具前视图的逆时针方向，用力击打键柄。这会松开夹头，可以用手取下。

### 无匙夹头的安装 (图4)

用手将夹头尽可能旋入。把 1/4" (6 毫米) 或更大尺寸六角键 (未提供) 的短端紧固到夹头内。使用软锤朝顺时针方向，用力击打键柄。

## 维护

您的得伟电动工具设计精良，可以长期使用，仅需极少维护。要连续获得令人满意的工作效果，需要您做合适的保养和定期的清洁。



**警告：为降低人身伤害的风险，在拆、装配件或调整、修理工具之前，请关闭工具并拔下工具插头。**请确保触发开关处于 OFF 位置。意外启动容易造成人身伤害。

## 马达电刷

得伟采用先进的电刷系统，当电刷磨损时，能够自动关闭工具。这可以防止严重损坏马达。在得伟授权的维修中心，可以提供新电刷组件。请务必使用相同的备件。



## 润滑

本电动工具无须另行润滑。



## 清洁



**警告：**一旦通风口及其周围积聚可见的粉尘，请用于干燥的压缩空气吹走主机外壳内的粉尘和灰尘。进行这一步骤时，请佩戴经认可的护目装备和认可的面罩。



**警告：**切勿使用溶剂或其它刺激性化学品来清洁工具的非金属部件。这些化学品可能削弱零件中使用的材料。只能使用抹布蘸中性肥皂水进行清洁。勿使任何液体进入工具；勿使工具的任何部分浸入液体中。

## 配件的选择



**警告：**由于非得伟配件未经本产品匹配测试，本工具若使用此类配件，将存在隐患。为降低人身伤害风险，本产品仅可使用得伟推荐的配件。

请向零售商咨询合适配件的更多信息。



**注意：**为降低人身伤害风险，下列配件的使用不超过表中所示的最大尺寸：

### 最大性能建议

电钻性能	10 毫米
转/分钟	0-2,800
金属钻孔钻头	10 毫米
木材平钻	25.4 毫米
孔锯	28.4 毫米

制造商：百得 (苏州) 科技有限公司  
地址：苏州工业园区苏虹中路200号出口加工区  
产地：江苏南通

